



CITY

MUTANT MACHINES™ MUTATION LAB™

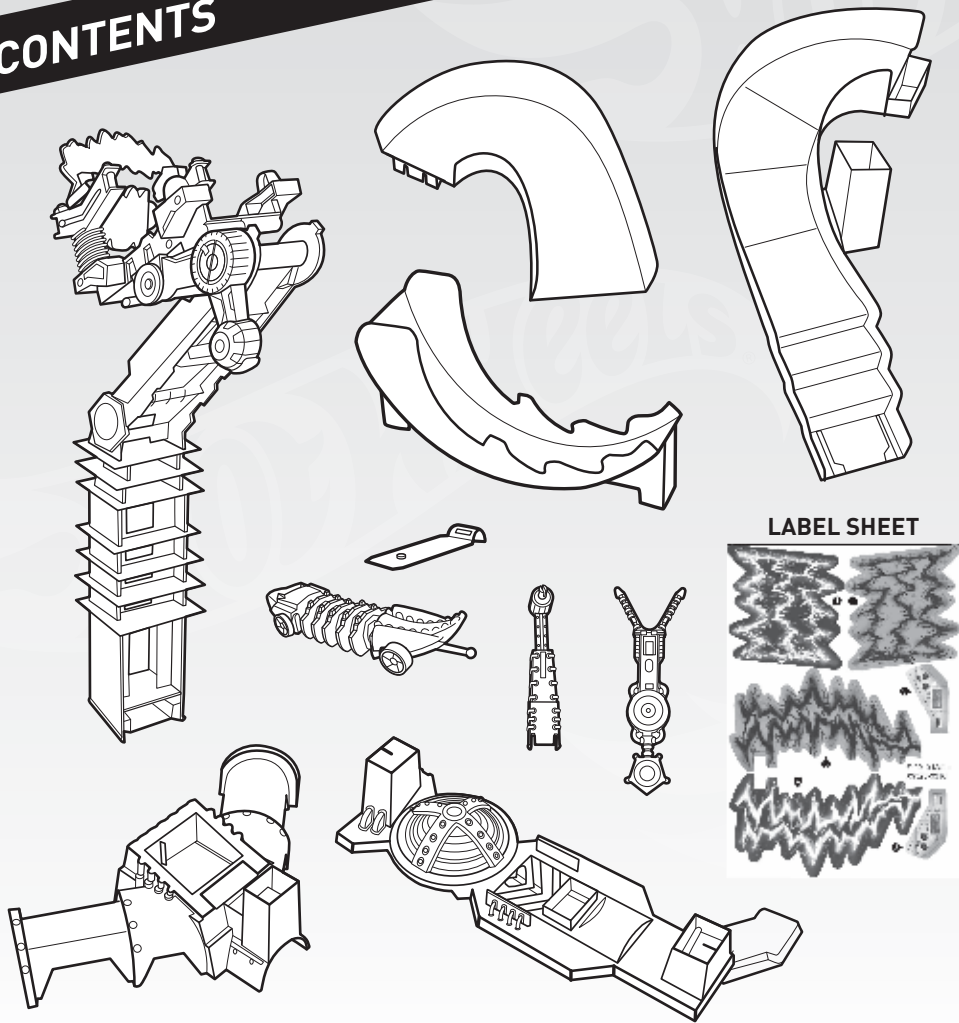


X9328-0920

INSTRUCTIONS

Please keep these instructions for future reference as they contain important information.

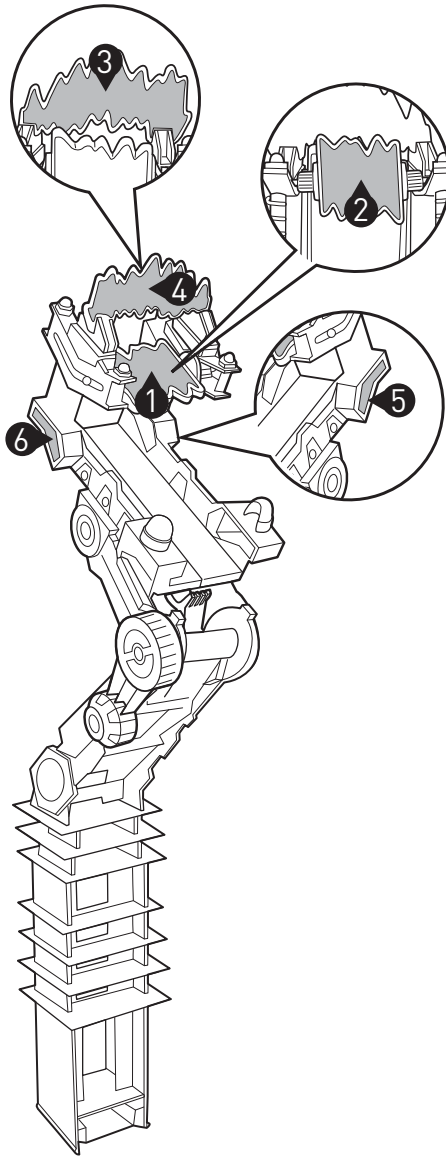
CONTENTS



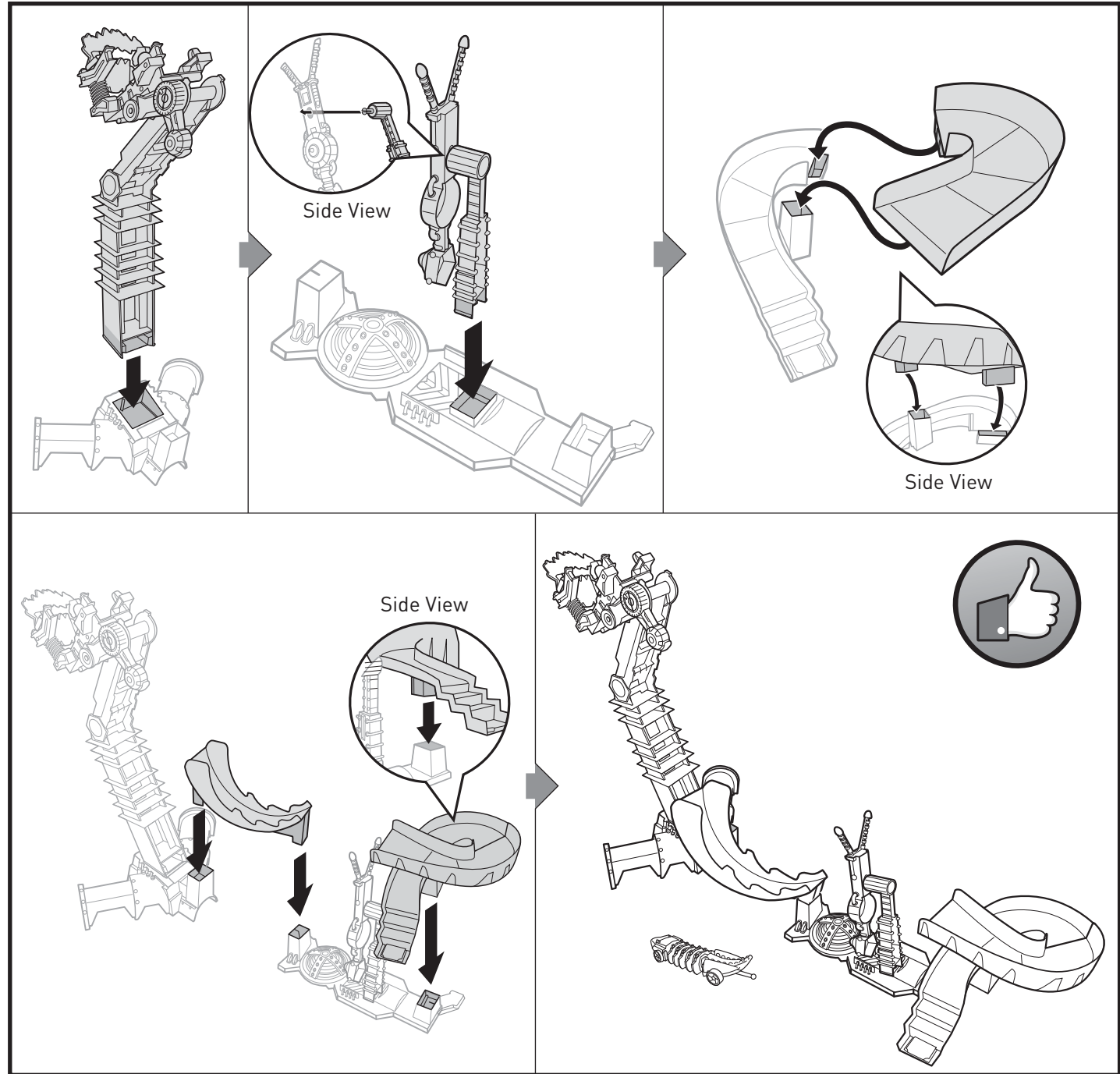
LABEL SHEET

1 APPLY LABELS

Helpful Hint: Apply labels before assembly by number as indicated.



2 ASSEMBLY

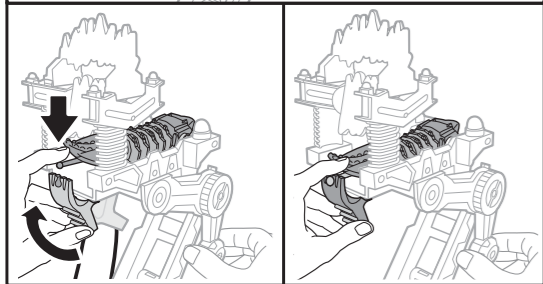
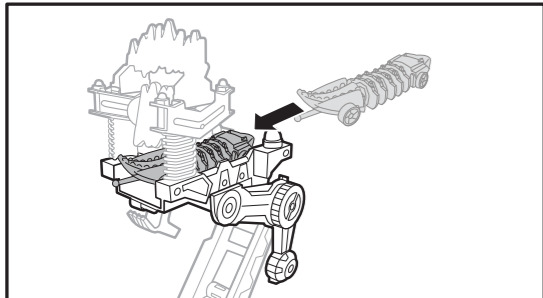


4+

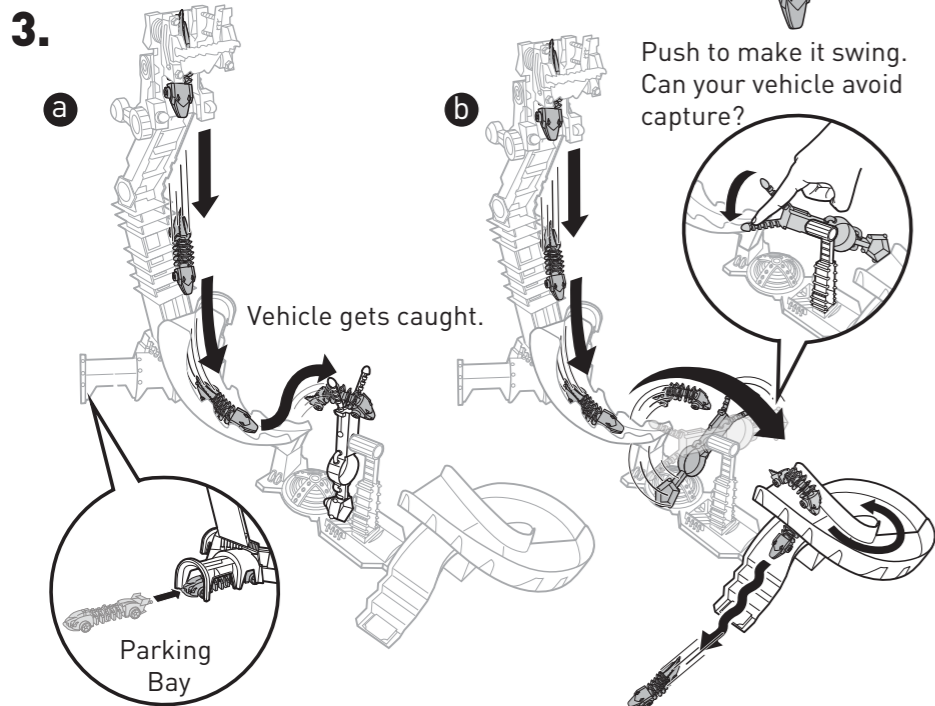
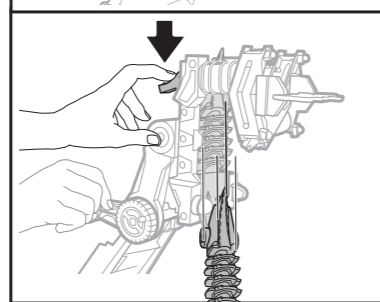
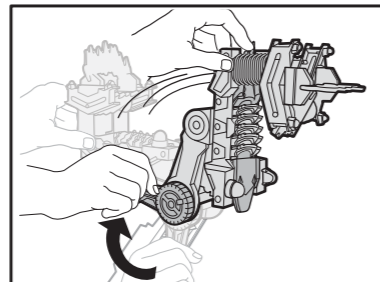
service.mattel.com
HOTWHEELS.COM

3 TO PLAY

1. Load and clip vehicle to the clamp.

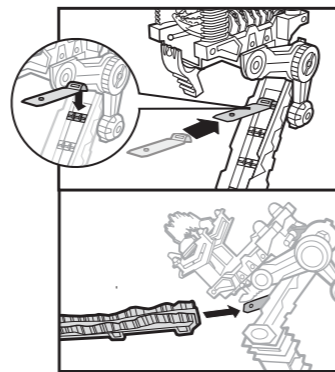


2. Rotate platform and release the clamp to launch.



4 MORE WAYS TO PLAY

1. Adjust height of track connector as desired.



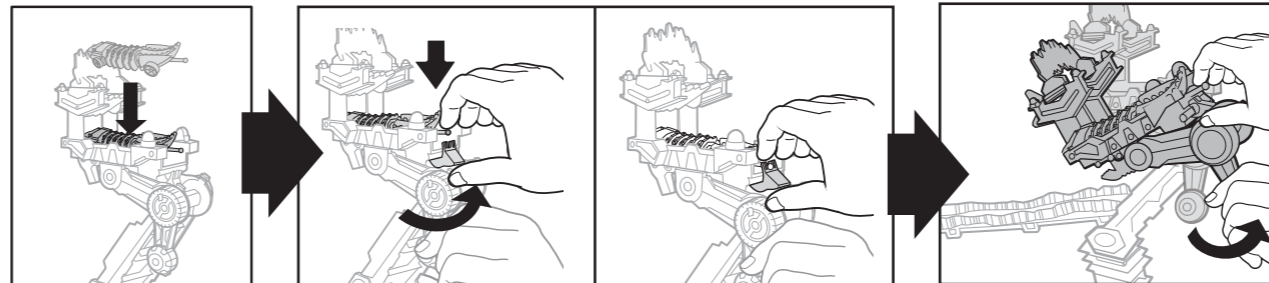
Mutant Machines™
3-in-1 Slither Slide™
(Sold Separately)

Mutant Machines™
Mutation Lab™

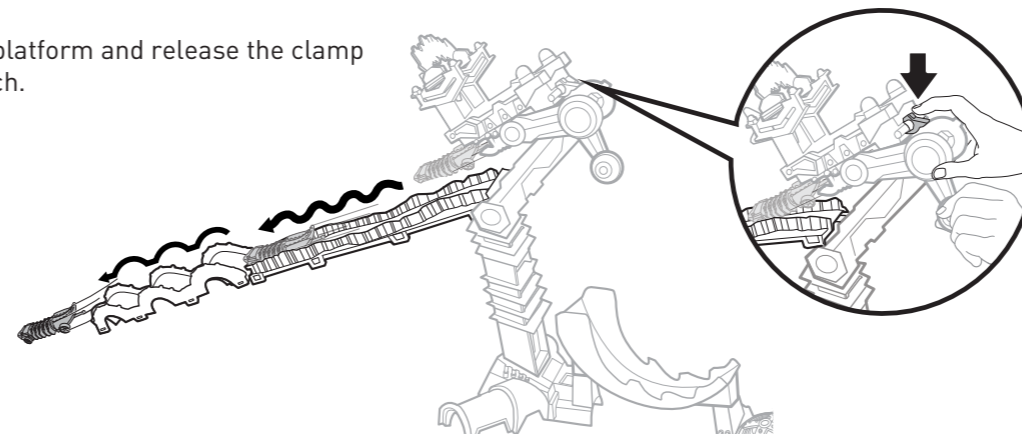
CONNECT TO HOT WHEELS® SETS (SOLD SEPARATELY).



2. Load and clip vehicle to the clamp.



3. Rotate platform and release the clamp to launch.

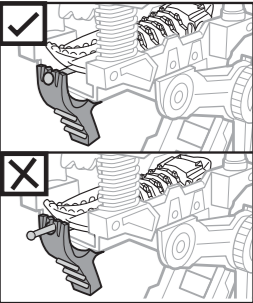


TROUBLESHOOTING

Q. My vehicle keeps falling off the platform before I can launch. How can I stop it?

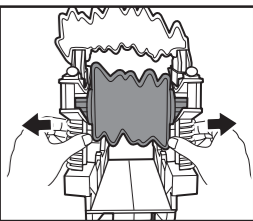
A. Try the following:

- Make sure the "ball" and clamp is connected securely together. You should never force the rod into the clamp. This will loosen the clamp and result in the vehicle falling out easily.
- When you rotate the platform into the launch position, use both hands. One to rotate the platform, the other to hold the vehicle still and prevent it from falling.



Q. The spinning panel is jammed. How can I fix it?

A. Pull the sides walls apart slightly. This will free the panel and let it spin back into the middle of the platform.



Q. My car keeps slowing down by itself on the tracks.

A. Lint may collect around your car's axles. This may cause the car to run slowly. Use tweezers or a tooth pick to remove lint.

