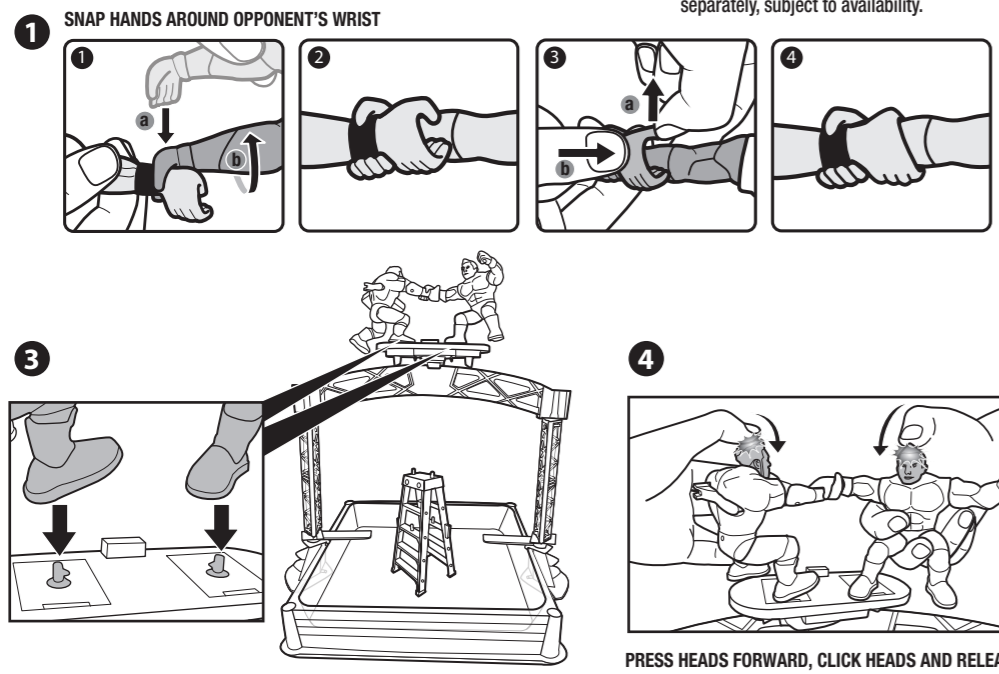
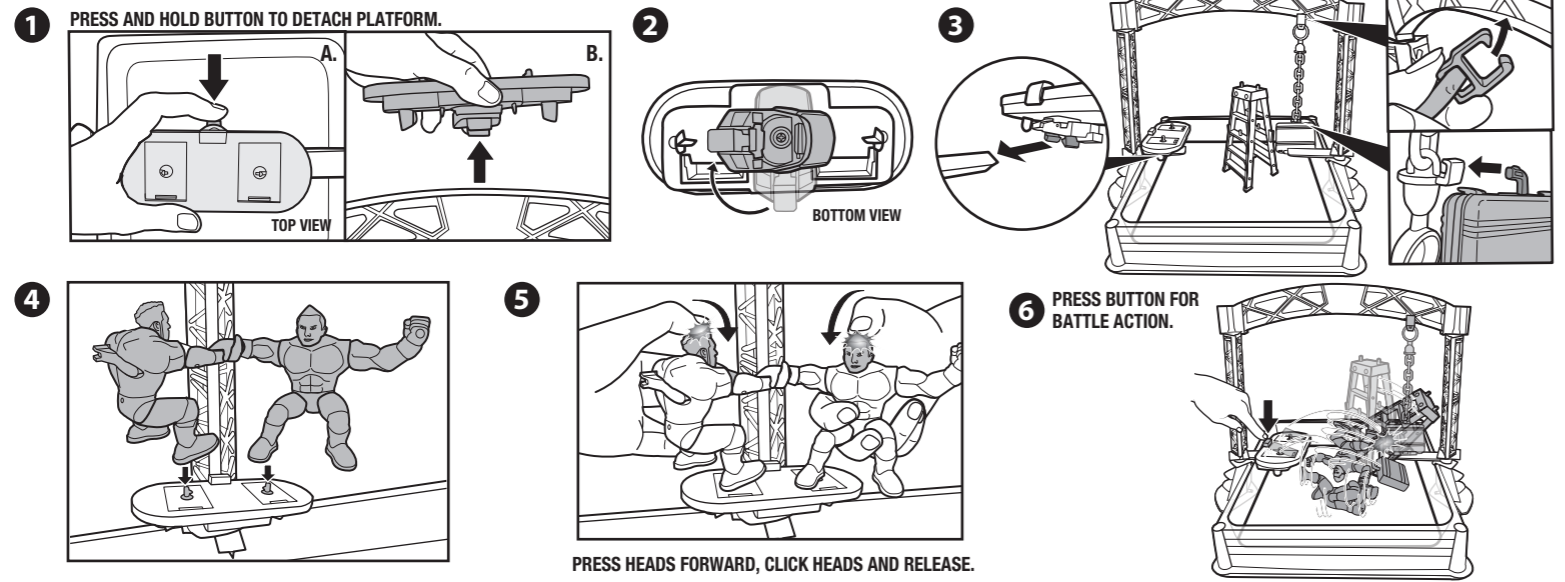


TO PLAY 2

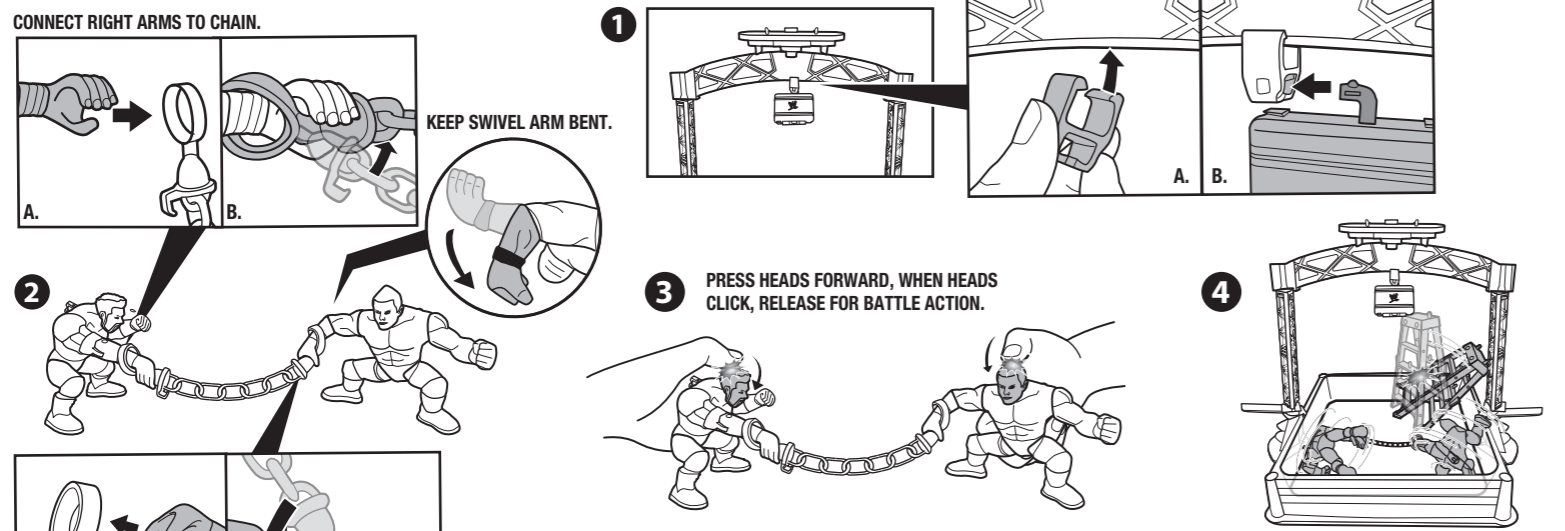


Sheamus™ figure included. Additional figures sold separately, subject to availability.

TO PLAY 3



TO PLAY 4



All WWE programming, talent names, images, likenesses, slogans, wrestling moves, trademarks, logos and copyrights are the exclusive property of WWE and its subsidiaries. All other trademarks, logos and copyrights are the property of their respective owners. © 2013 WWE. All Rights Reserved.

©2013 Mattel. All Rights Reserved.
 Mattel, Inc. 636 Girard Avenue, East Aurora, NY 14052, U.S.A. Consumer Relations 1-800-524-8697. Mattel Canada Inc., Mississauga, Ontario L5R 3W2. You may call us free at 1-800-524-8697.
 Mattel U.K. Ltd., Vanwall Business Park, Maidenhead SL6 4UB. Helpline 01628 500303. Mattel Australia Pty., Ltd., Richmond, Victoria. 3121 Consumer Advisory Service - 1300 135 312 Mattel
 East Asia Ltd., Room 1106, South Tower, World Finance Centre, Harbour City, Tsimshatsui, HK, China. Diimport & Diedarkan Oleh: Mattel SEA Ptd Ltd.(993532-P) Lot 13.5, 13th Floor, Menara
 Lien Hoe, Persiaran Tropicana Golf Country Resort, 47410 PJ. Tel:03-78803817, Fax:03-78803867.

service.mattel.com

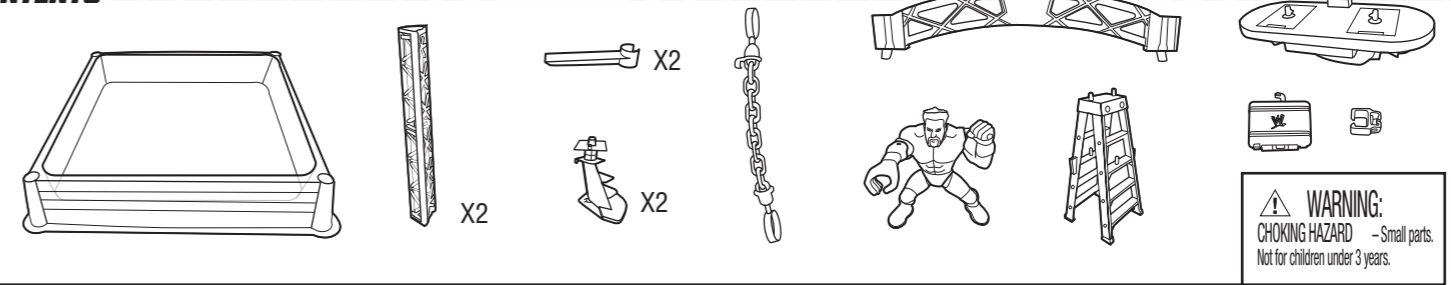


WRECKING BRAWL™
INSTRUCTIONS

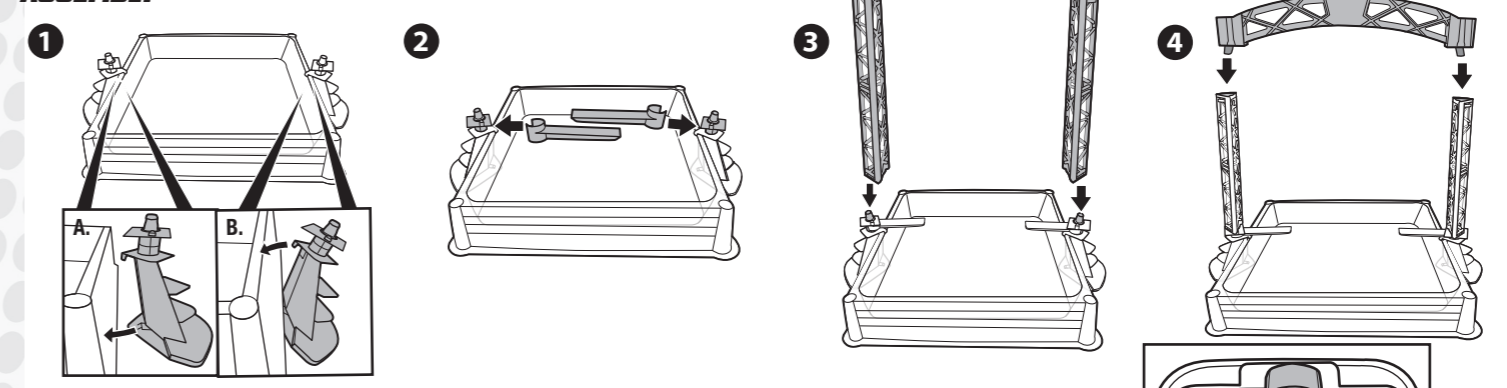
6+

Please keep these instructions for future reference as they contain important information.

CONTENTS

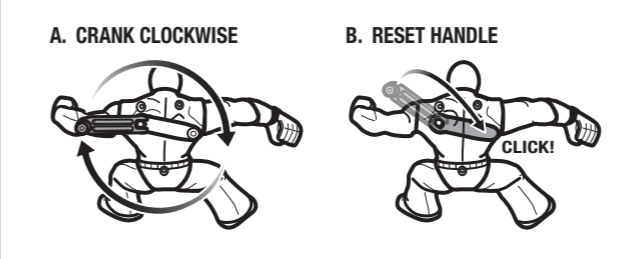


ASSEMBLY

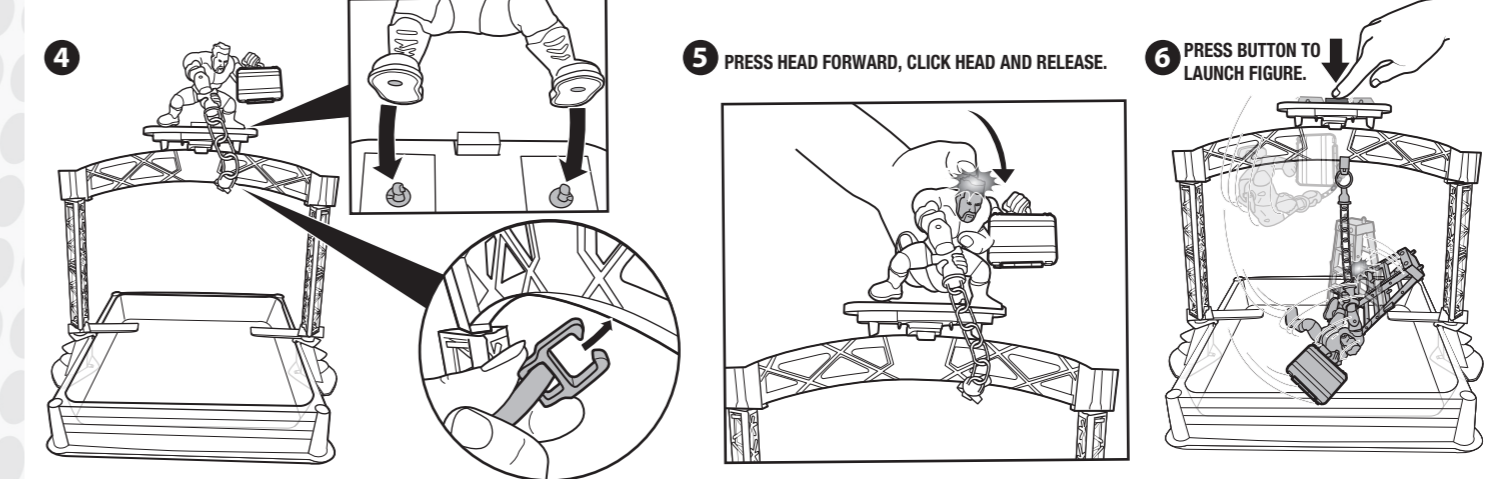
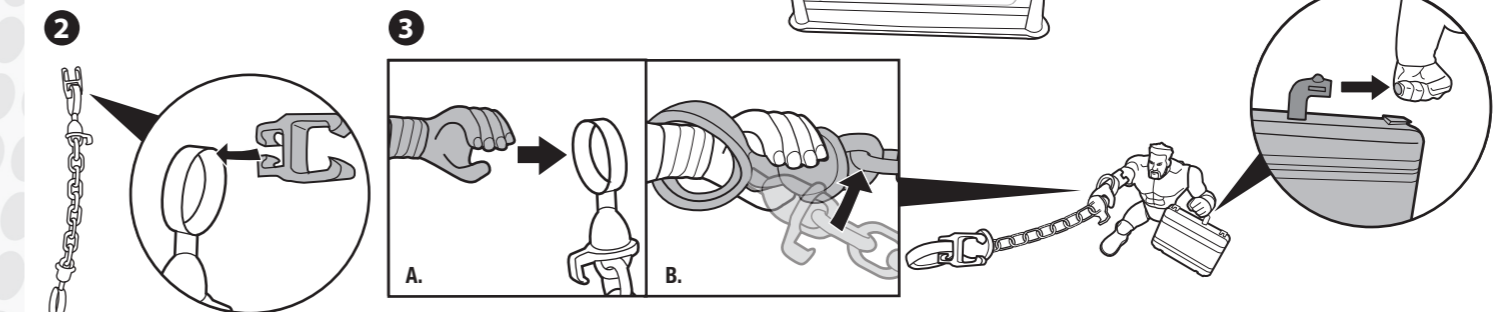
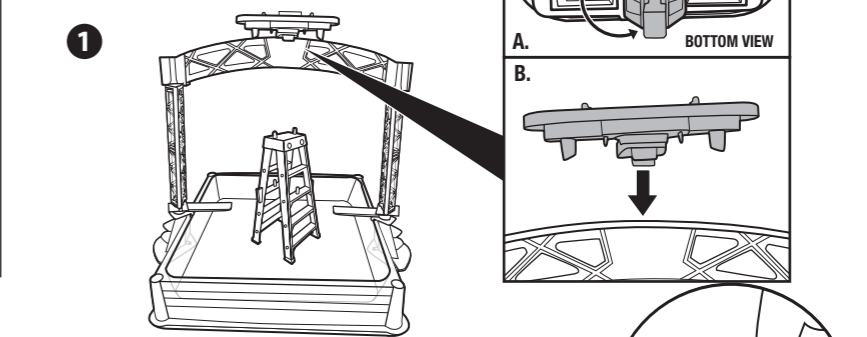


SET UP

NOTE: REPEAT SET UP BEFORE EACH "TO PLAY".



TO PLAY 1



INSTRUCTION SHEET SPECIFICATIONS

Toy No.:	WRECKING BRAWL™
Toy No.:	Y0009
Part No.:	0920
Trim Size:	A4
Folded Size:	A5
Type of Fold:	
# colors:	One
Colors:	Black
Paper Stock:	White Offset
Paper Weight:	70 lb.
EDM No.:	