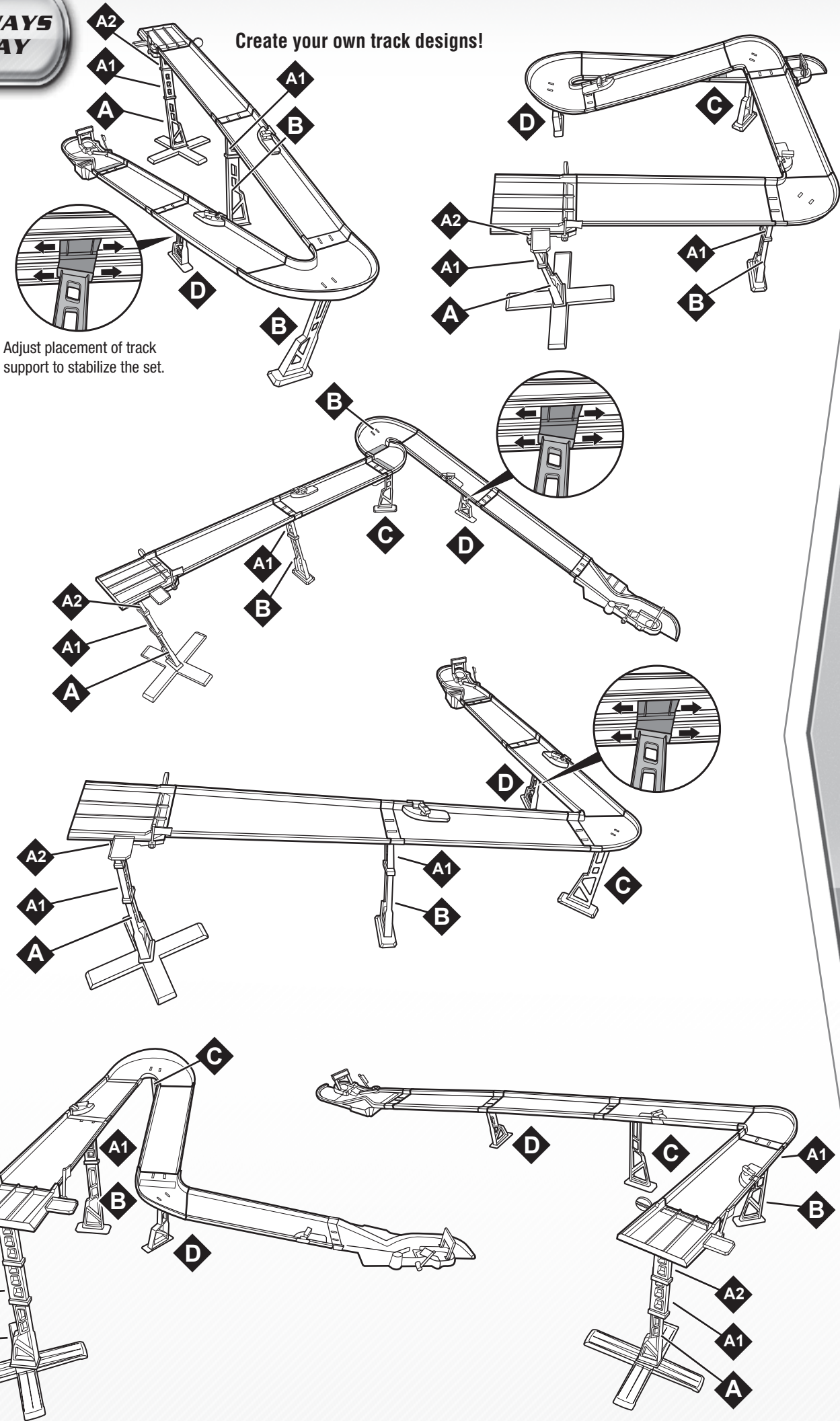


**MORE WAYS TO PLAY**

Create your own track designs!



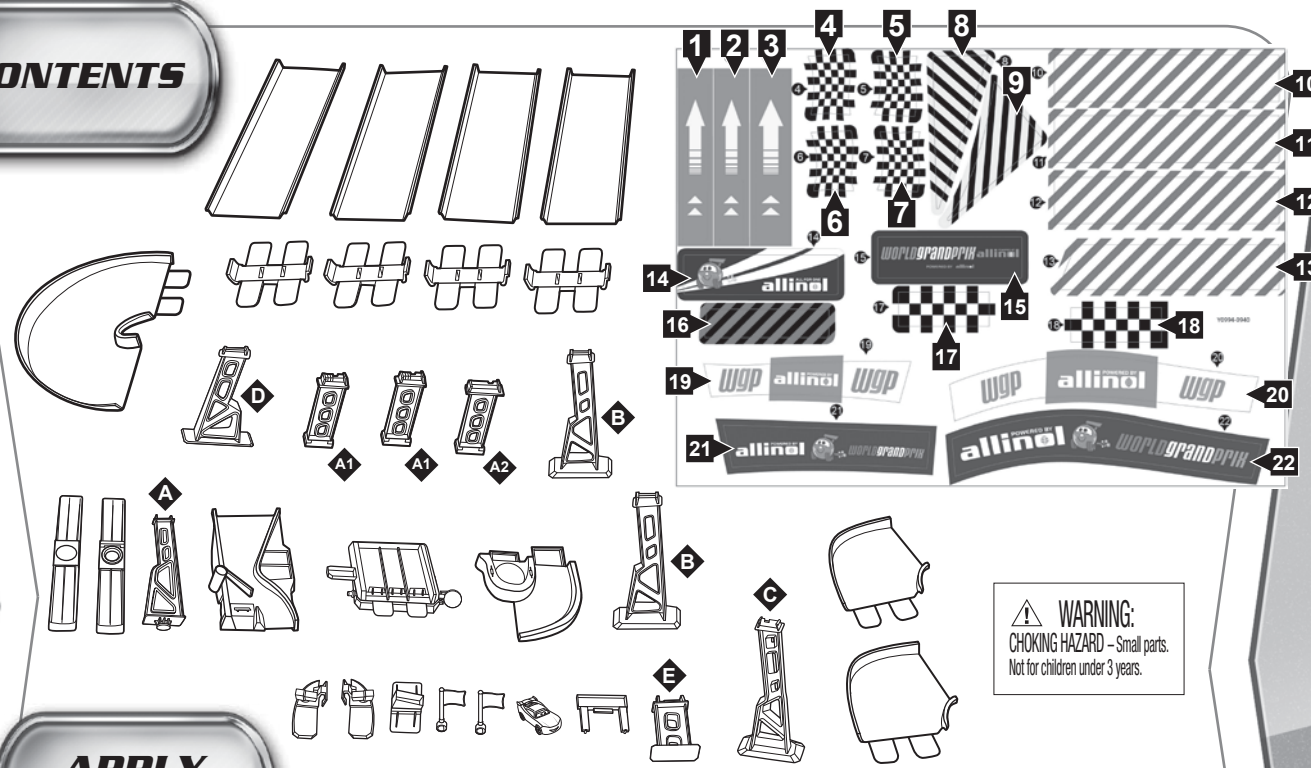
**DESIGN & DRIFT SPEEDWAY™ TRACK SET**

4+

**INSTRUCTIONS**

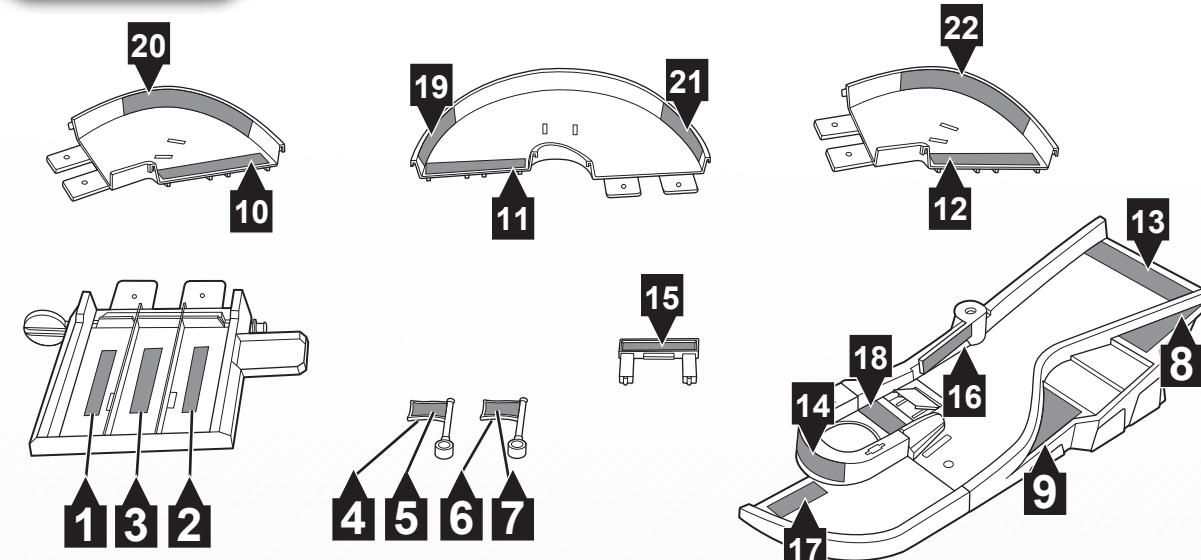
Please keep these instructions for future reference as they contain important information.

**CONTENTS**



**APPLY LABELS**

Helpful Hint: Apply labels before assembly by number as indicated.



**WARNING:**  
CHOKING HAZARD - Small parts.  
Not for children under 3 years.

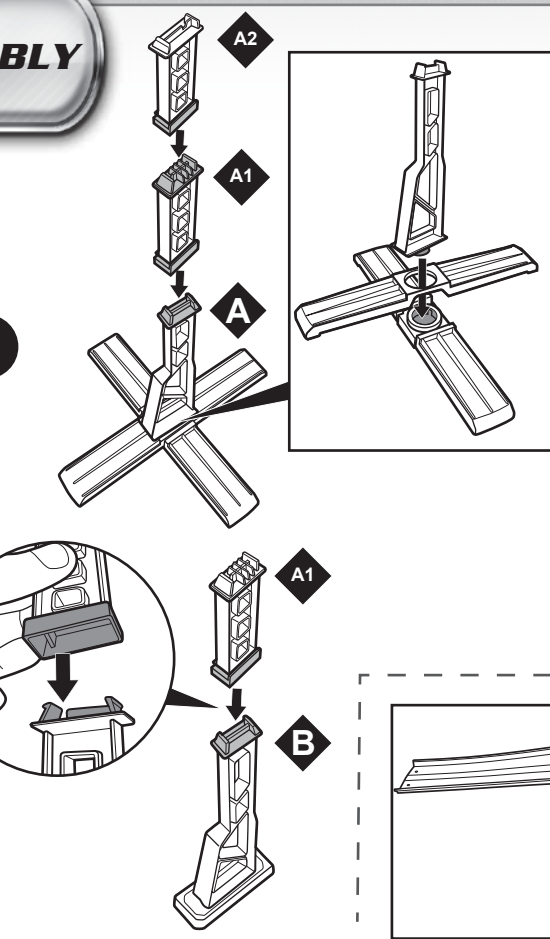
©2012 Mattel. All Rights Reserved.  
Mattel, Inc., 636 Girard Avenue, East Aurora, NY 14052, U.S.A. Consumer Relations 1-800-524-8697. Mattel U.K. Ltd., Vanwall Business Park, Maidenhead SL6 4UB. Helpline 01628 500303. Mattel Australia Pty. Ltd., Richmond, Victoria, 3121. Consumer Advisory Service - 1300 135 312. Mattel East Asia Ltd., Room 1106, South Tower, World Finance Centre, Harbour City, Tsimshatsui, HK, China. Dimport & Didarkan Oleh: Mattel SEA Ptd Ltd. (993532-P) Lot 13.5, 13th Floor, Menara Lien Hoe, Persiaran Tropicana Golf Country Resort, 47410 PJ. Tel: 03-78803817, Fax: 03-78803867.

**ASSEMBLY**

**1**

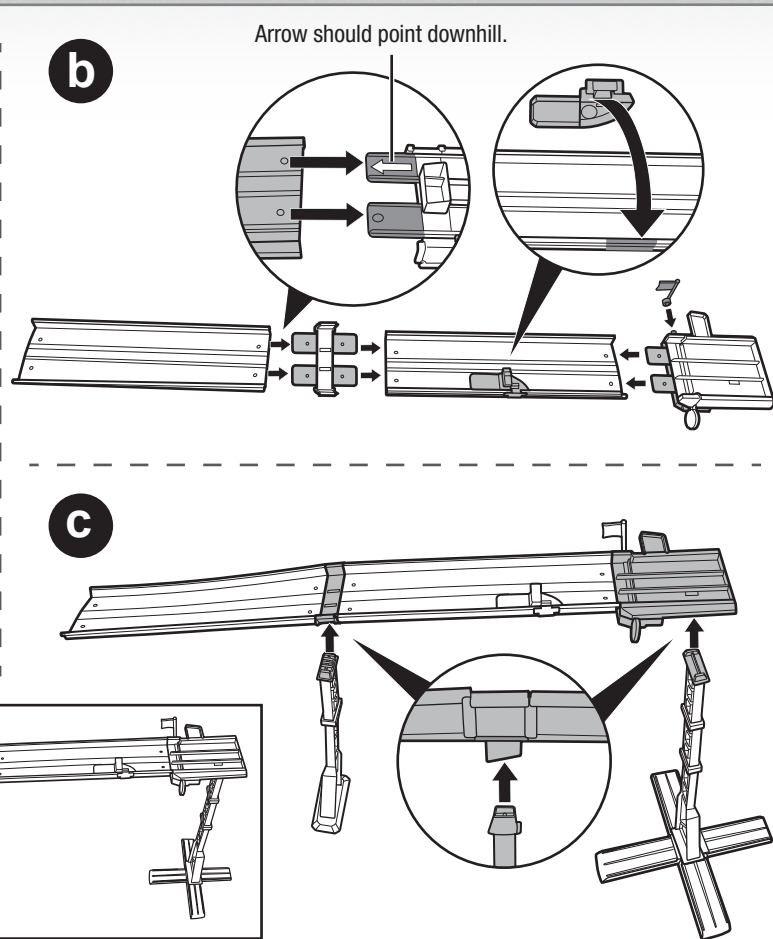
**a**

**b**



**b**

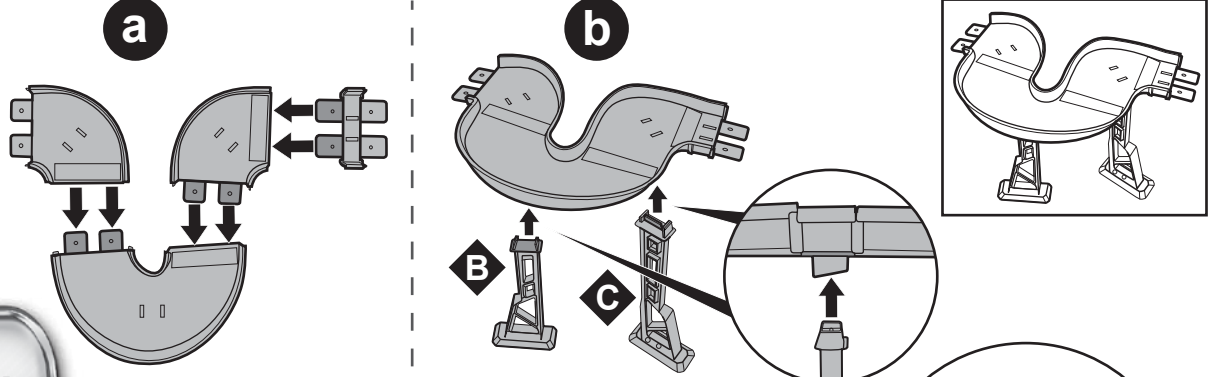
**c**



**2**

**a**

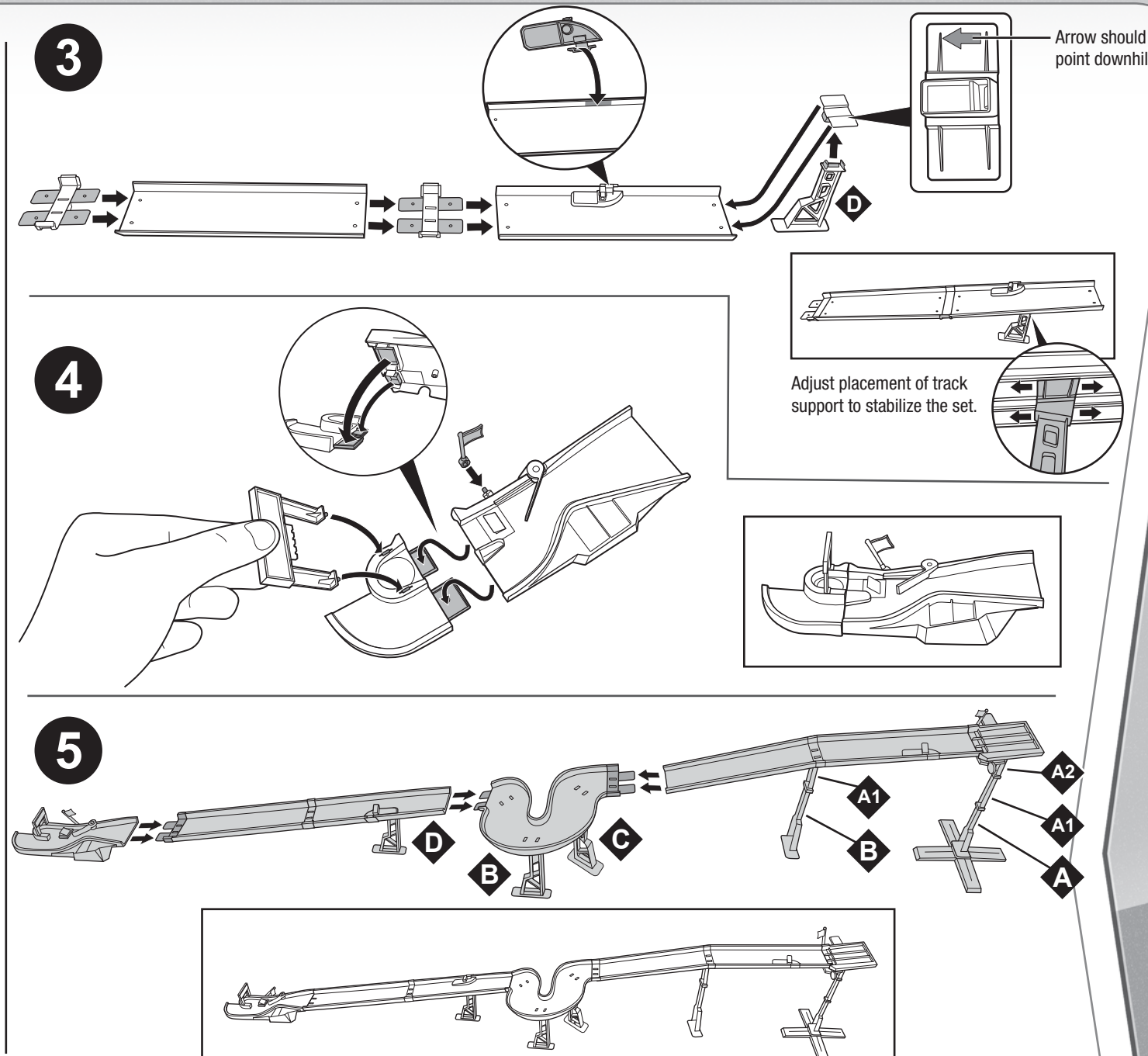
**b**



**3**

**4**

**5**



**TO PLAY**

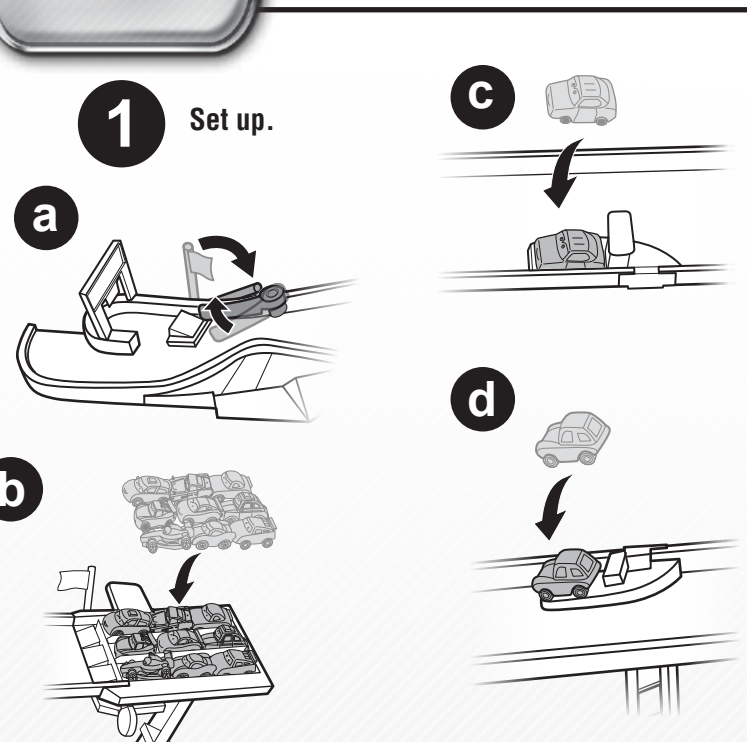
**1** Set up.

**a**

**b**

**c**

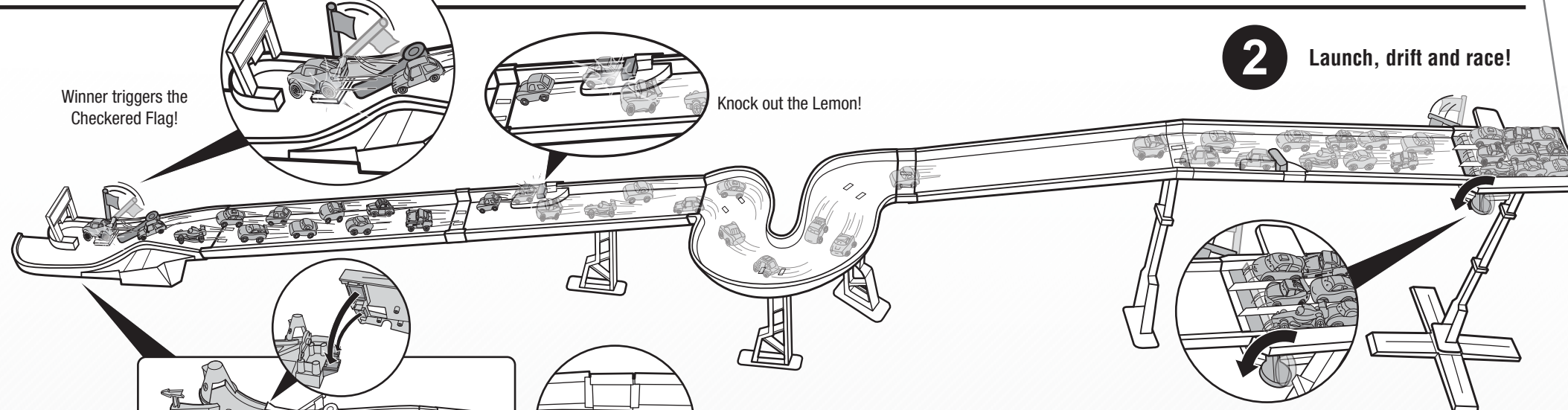
**d**



Winner triggers the Checkered Flag!

Knock out the Lemon!

**2** Launch, drift and race!



The finish area is interchangeable with X9527 RADIATOR SPRINGS DRIFT CHALLENGE™ TRACK SET.

Additional vehicles not included.  
Not for use with some Cars Micro Drifters™ vehicles.

INSTRUCTION SHEET SPECIFICATIONS	
Toy No.:	Y0994
Part No.:	0920
Trim Size:	A3
Folded Size:	accordion
Type of Fold:	One
Colors:	Black
Paper Stock:	White Offset
Paper Weight:	70 lb.
EDM No.:	001a