

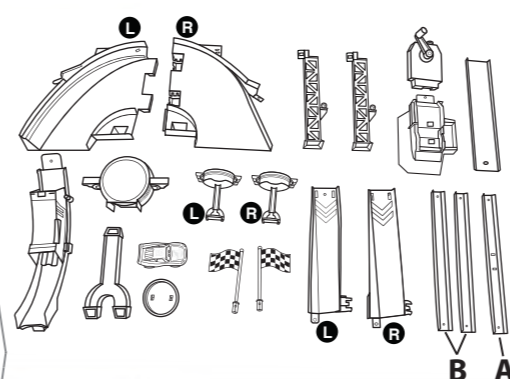
INSTRUCTION SHEET SPECIFICATIONS

Toy: Y1329
 Part No.: 0920G1
 Trim Size: A4
 Folded Size: accordian
 # colors: One
 Colors: Black
 Paper Stock: White Offset
 Paper Weight: 70 lb.
 EDM No.: 001a



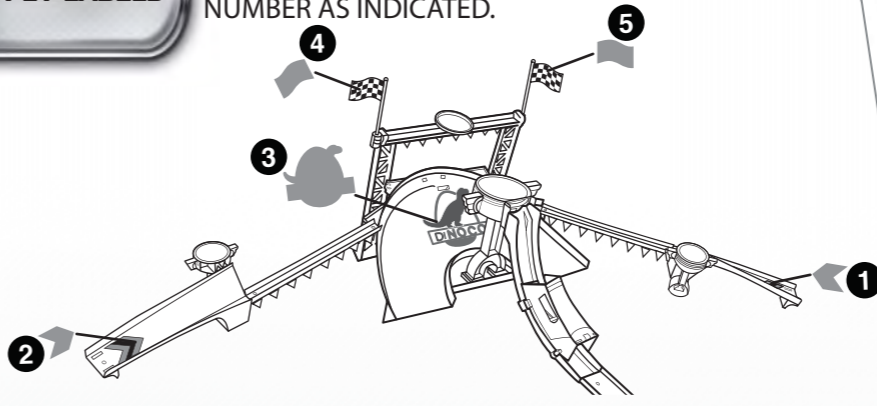
DINOCO STUNT SHOW STUNT SET INSTRUCTIONS

CONTENTS



APPLY LABELS

HELPFUL HINT: APPLY LABELS BEFORE ASSEMBLY BY NUMBER AS INDICATED.



©2012 Mattel. All Rights Reserved.
 Mattel, Inc., 636 Girard Avenue, East Aurora, NY 14052, U.S.A. Consumer Relations 1-800-524-8697. Mattel U.K. Ltd., Vanwall Business Park, Maidenhead SL6 4UB. Helpline 01628 500303. Mattel Australia Pty., Ltd., Richmond, Victoria, 3121. Consumer Advisory Service - 1300 135 312. Mattel East Asia Ltd., Room 1106, South Tower, World Finance Centre, Harbour City, Tsimshatsui, HK, China. Diimport & Diedarkan Oleh: Mattel SEA Ptd Ltd.(993532-P) Lot 13.5, 13th Floor, Menara Lien Hoe, Persiaran Tropicana Golf Country Resort, 47410 PJ. Tel:03-78803817, Fax:03-78803867.

© Disney/Pixar

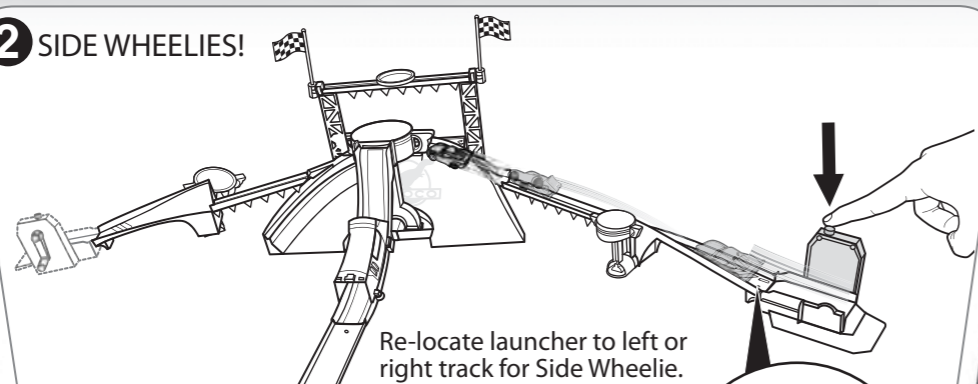
www.disney.com/cars

service.mattel.com

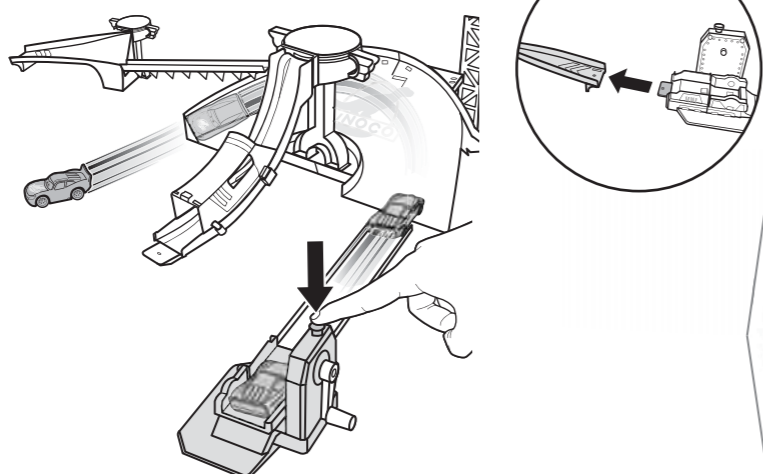
Y1329-0920G1



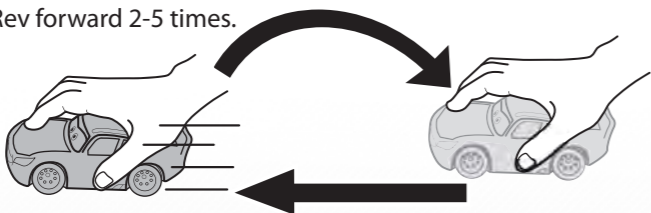
2 SIDE WHEELIES!



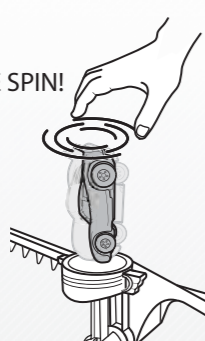
3



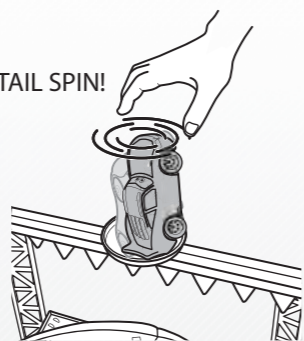
4 a Rev forward 2-5 times.



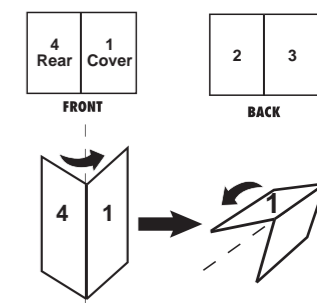
b NOSE SPIN!



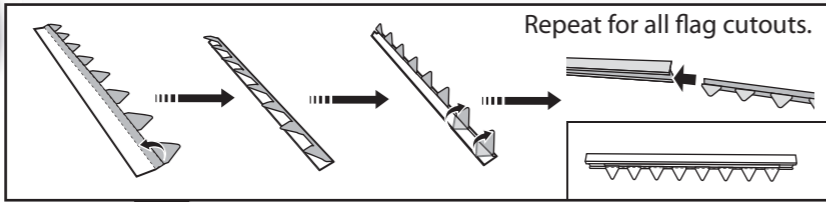
c TAIL SPIN!



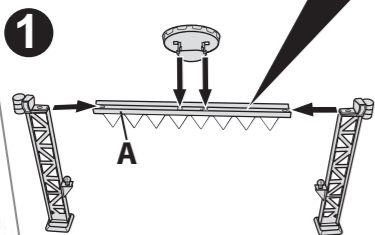
Folding Dummy



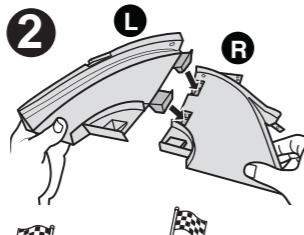
ASSEMBLY



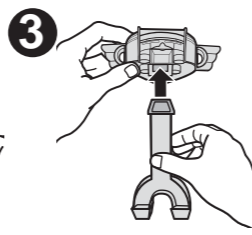
1



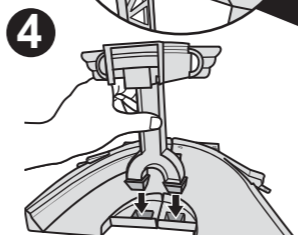
2



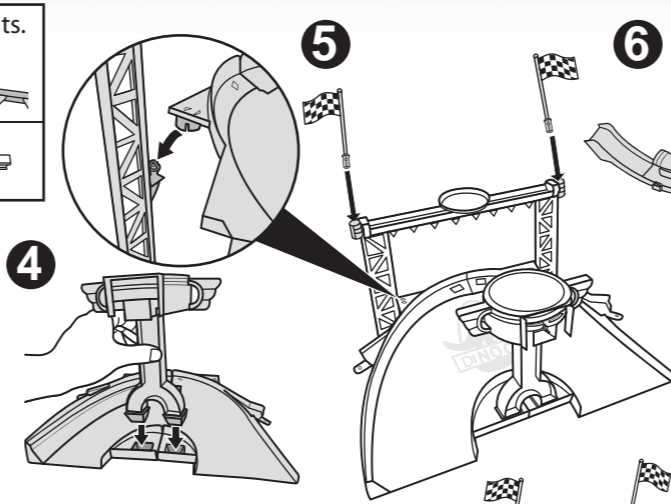
3



4

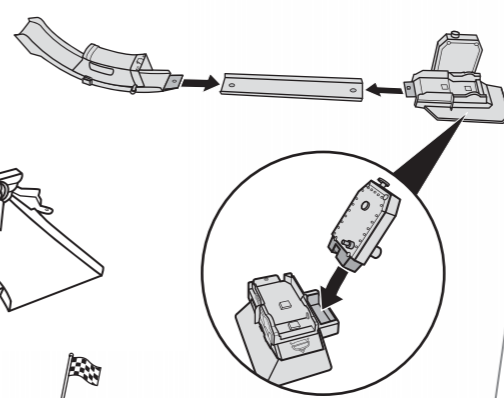


5

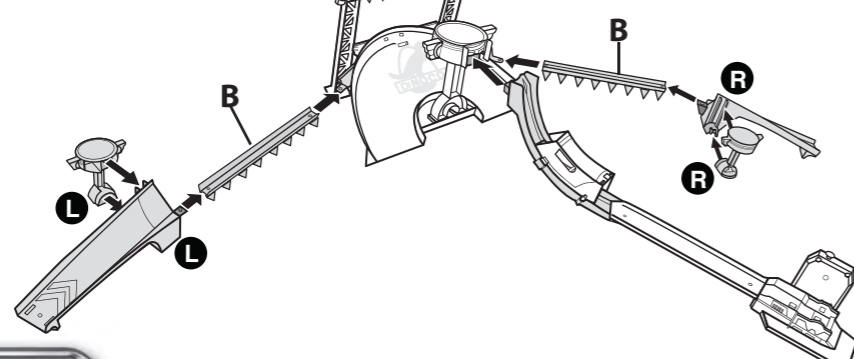


6

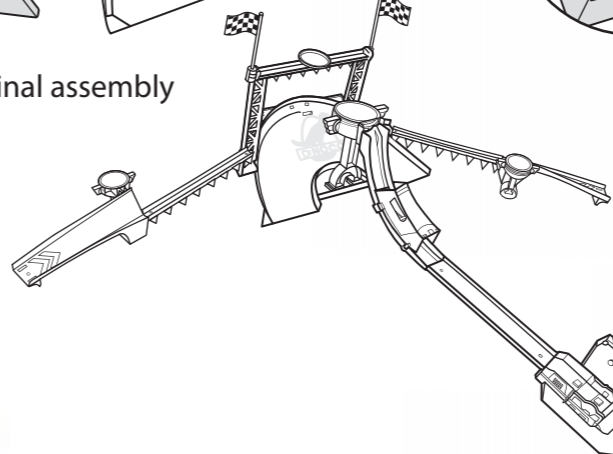
NOTE: Track and launcher can be attached and detached as required.



7

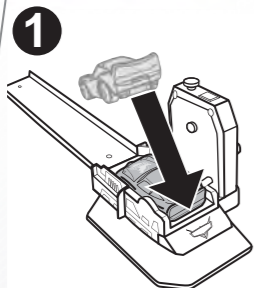


8 Final assembly



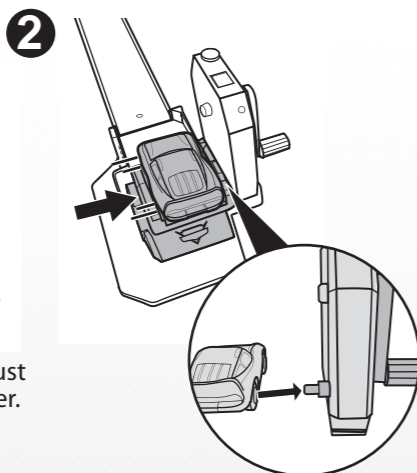
GET READY TO PLAY

1

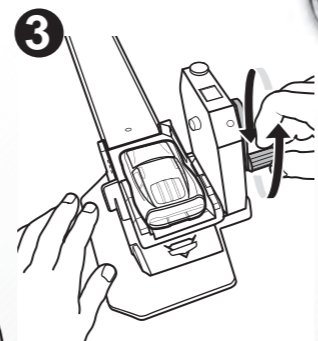


NOTE: Back of vehicle must be flush with the launcher.

2



3

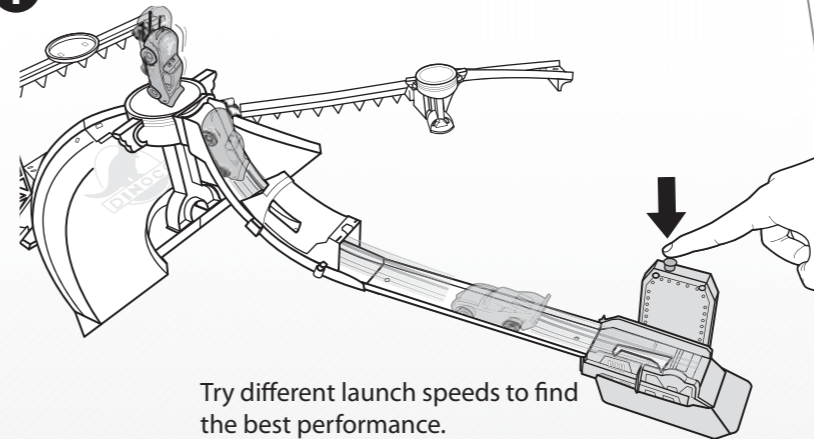


Wind crank to rev up vehicle.

TO PLAY

1

JUMP ONTO STUNT STAGE!



Try different launch speeds to find the best performance.