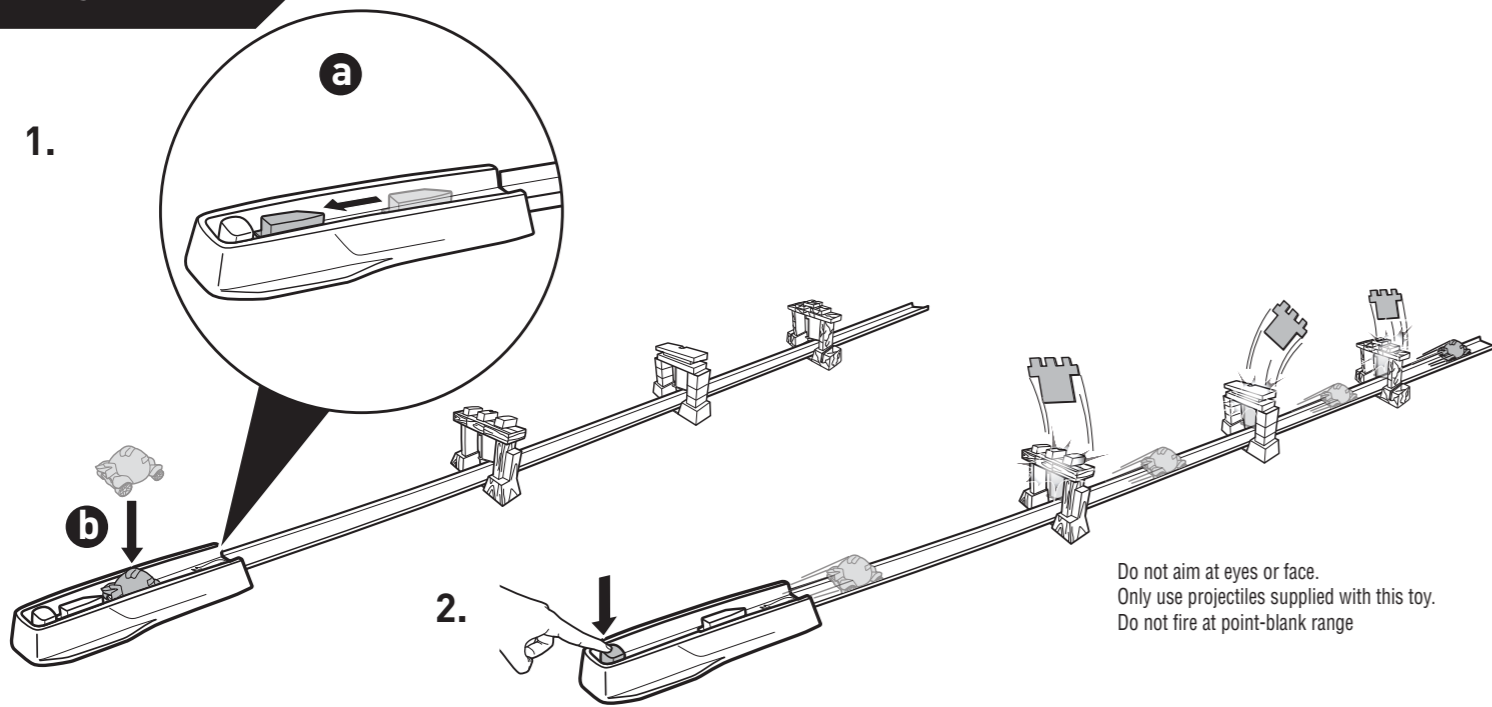


TO PLAY



©2012 Mattel. All Rights Reserved. Mattel, Inc., 636 Girard Avenue, East Aurora, NY 14052, U.S.A. Consumer Relations 1-800-524-8697. Mattel U.K. Ltd., Vanwall Business Park, Maidenhead SL6 4UB. Helpline 01628 500303. Mattel Australia Pty., Ltd., Richmond, Victoria. 3121. Consumer Advisory Service - 1300 135 312. Mattel East Asia Ltd., Room 1106, South Tower, World Finance Centre, Harbour City, Tsimshatsui, HK, China. Diimport & Diedarkan Oleh: Mattel SEA Ptd Ltd. (993532-P) Lot 13.5, 13th Floor, Menara Lien Hoe, Persiaran Tropicana Golf Country Resort, 47410 P.J. Tel: 03-78803817, Fax: 03-78803867. service.mattel.com



SLINGSHOT LAUNCH™



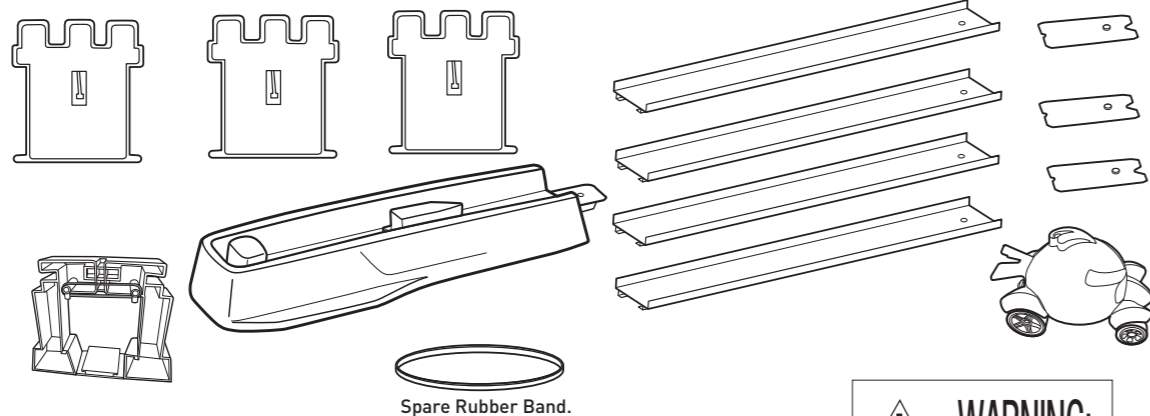
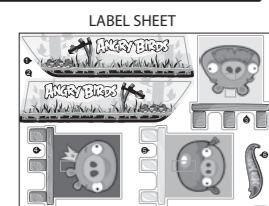
5+



INSTRUCTIONS

CONTENTS

Please keep these instructions for future reference as they contain important information.

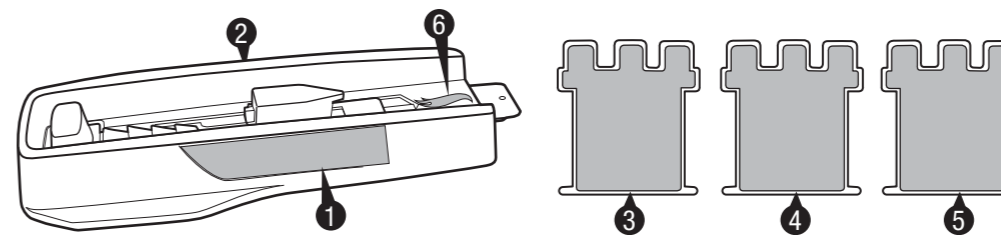
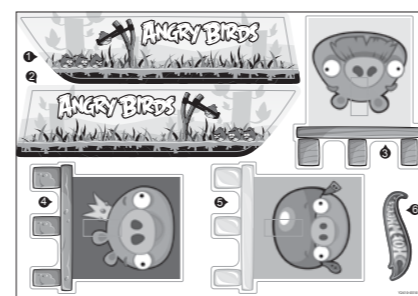


Spare Rubber Band.

ROVIO Angry Birds is a registered trademark of Rovio Entertainment Ltd. All Rights Reserved. Copyright ©2009-2012 Rovio Entertainment Ltd. All Rights Reserved.

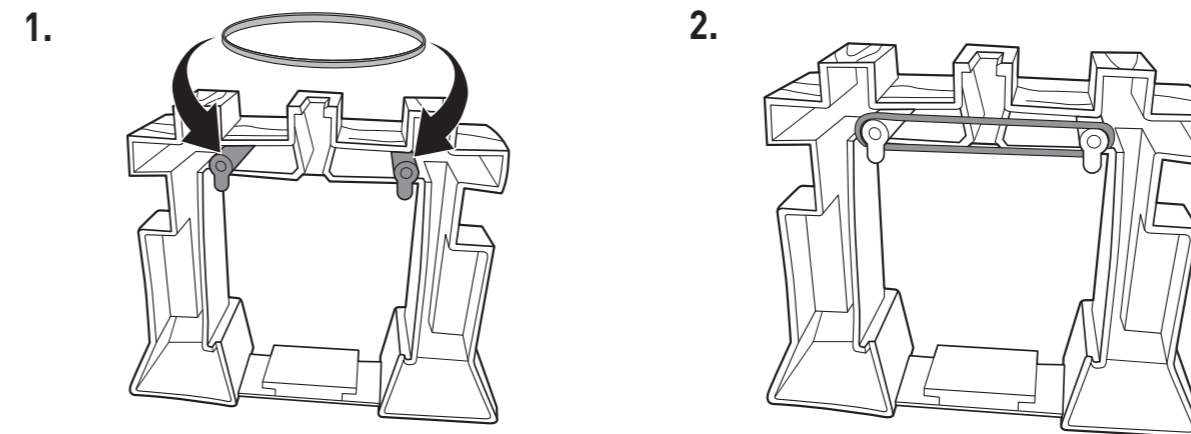
WARNING:
CHOKING HAZARD - Small parts.
Not for children under 3 years.

APPLY LABELS

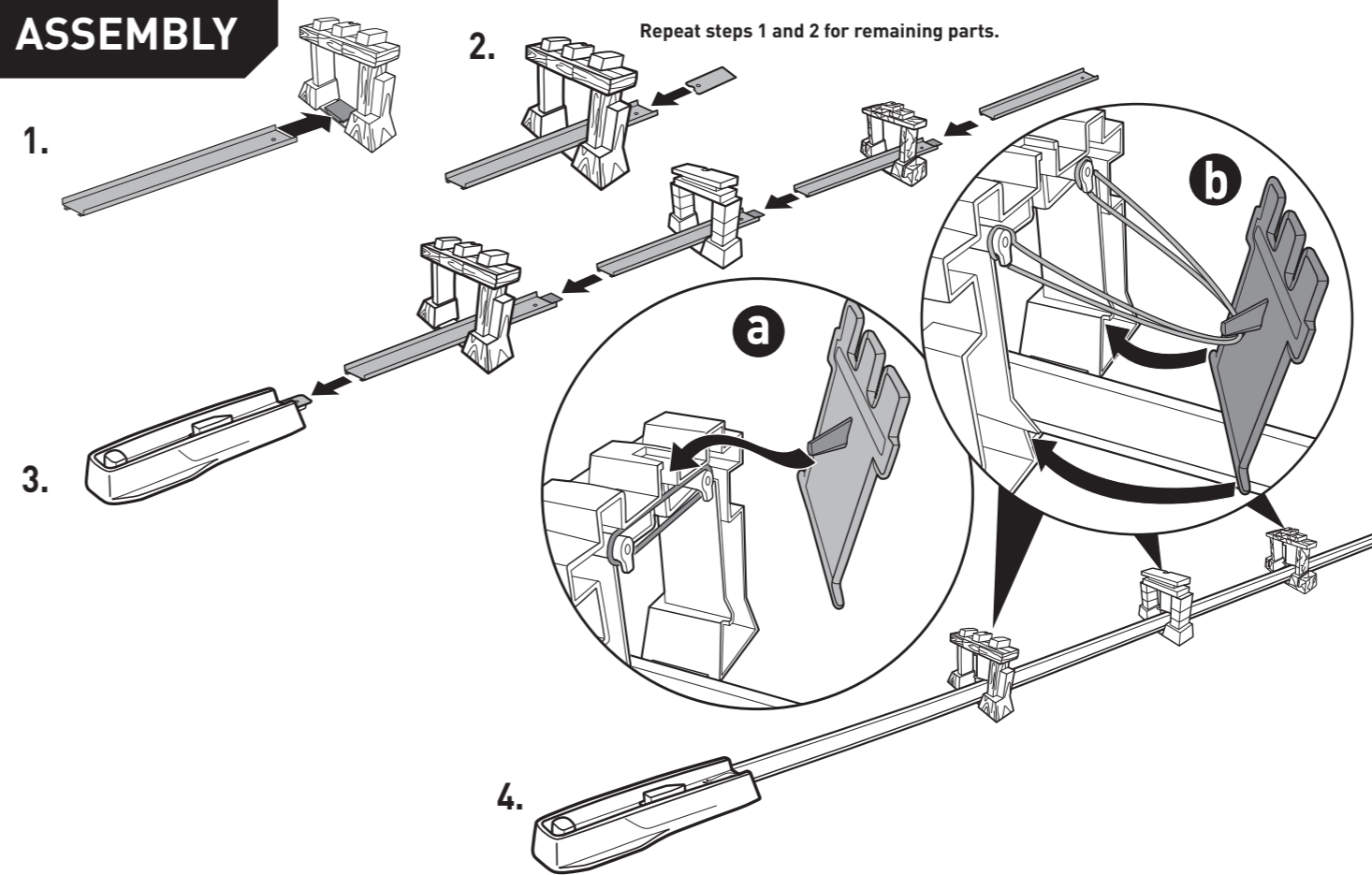


REPLACE RUBBER BAND

ADULT SUPERVISION REQUIRED.



ASSEMBLY



INSTRUCTION SHEET SPECIFICATIONS

Toy: HW Slingshot Launch
Toy No.: Y2410
Part No.: 0920G1
Trim Size: 8.5"W x 11"H
Folded Size: 8.5"W x 5.5"H
Type of Fold: Single
colors: One
Colors: Black
Paper Stock: White Offset
Paper Weight: 70 lb.
EDM No.:



2 PANEL Folding Dummy

