

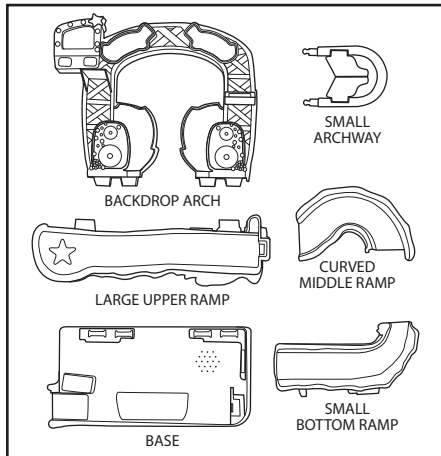


# Rock & Roll Stage

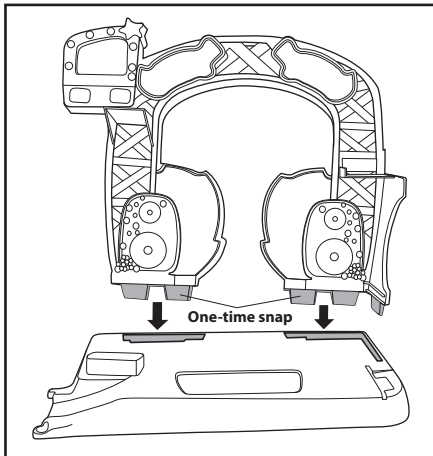
## INSTRUCTIONS

Please keep these instructions for future reference as they contain important information.

### ASSEMBLY



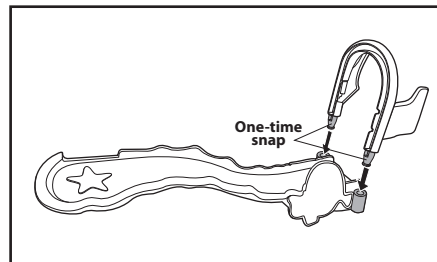
#### PARTS



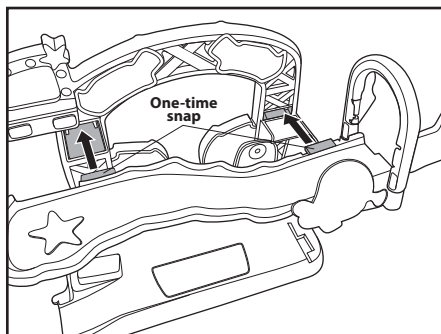
1 Attach BACKDROP ARCH to BASE.

## ADULT ASSEMBLY REQUIRED.

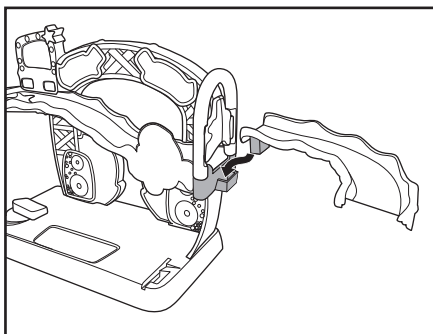
No tool required for assembly.



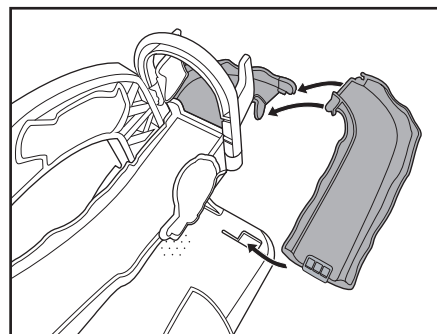
2 Attach SMALL ARCHWAY to LARGE UPPER RAMP.



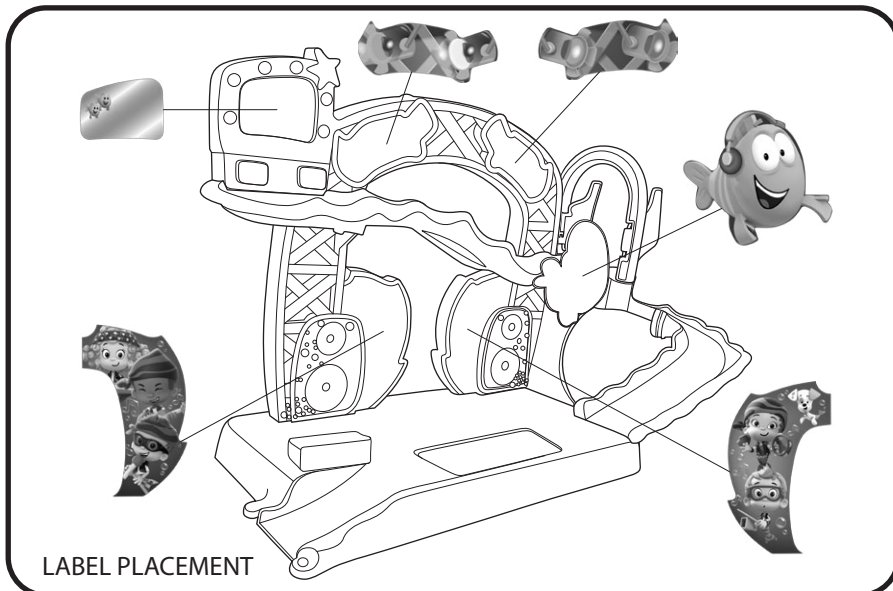
3 Attach LARGE UPPER RAMP to BACKDROP ARCH.



4 Attach CURVED MIDDLE RAMP to LARGE UPPER RAMP.



5 Attach SMALL BOTTOM RAMP to CURVED MIDDLE RAMP and BASE.



#### LABEL PLACEMENT

NOTE: Many of these assemblies are "one-time snaps". Once these pieces are snapped together, they cannot be taken apart.

Y2830

NickJr.com

Fisher-Price

### CONSUMER ASSISTANCE

1-800-432-5437 (US & Canada)  
1300 135 312 (Australia)

[service.fisher-price.com](http://service.fisher-price.com)

Fisher-Price, Inc., 636 Girard Avenue, East Aurora, NY 14052.  
Hearing-impaired consumers: 1-800-382-7470.

#### Outside the United States:

Canada: Mattel Canada Inc., 6155 Freemont Blvd., Mississauga, Ontario L5R 3W2; [www.service.mattel.com](http://www.service.mattel.com).

Great Britain: Mattel UK Ltd, Vanwall Business Park, Maidenhead SL6 4UB. Helpline: 01628 500303. [www.service.mattel.com/uk](http://www.service.mattel.com/uk)

Mattel Europa B.V., Gondel 1, 1186MJ Amstelveen, Nederland.

Australia: Mattel Australia Pty. Ltd., 658 Church Street, Locked Bag #870, Richmond, Victoria 3121 Australia.

New Zealand: 16-18 William Pickering Drive, Albany 1331, Auckland.

© 2013 Viacom International Inc. All Rights Reserved. Nickelodeon, Bubble Guppies and all related titles, logos and characters are trademarks of Viacom International Inc.

©2012 Mattel. All Rights Reserved.

\* and ™ designate U.S. trademarks of Mattel, except as noted.

PRINTED IN CHINA.

Mattel East Asia Ltd., Room 1106, South Tower, World Finance Centre, Harbour City, Tsinghsatui, HK, China.

ID: Y2830-0920

Item No : Y2830-0920  
Version : EL  
Size : A4  
Paper : Woodfree paper 70 gsm  
Color : Black  
Date : 8/10/2012 (William Tam)