

ISLAND OF SODOR PLAYTABLE

Assembly Instructions

While this merchandising unit is very easy to assemble, the pieces are large and heavy and assembly requires at least two people. Please keep these instructions for future reference as they contain important information. **Philips medium point screwdriver also required.**

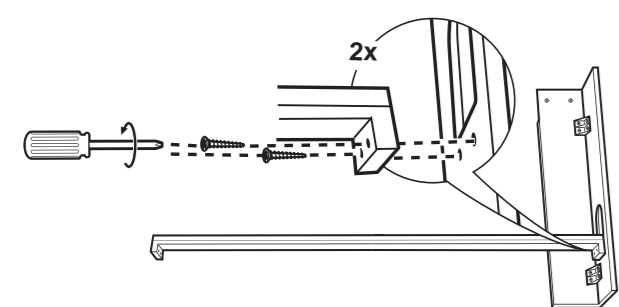
PARTS

You should have received a total of 5 boxes which include the following pieces:

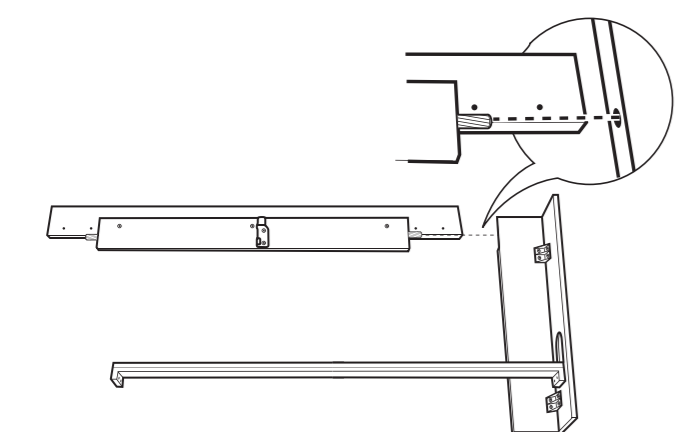
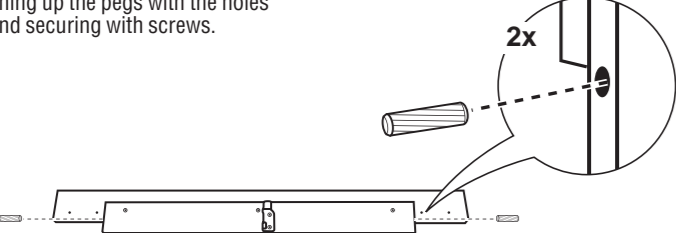
- 20x SCREWS
- 8x PEGS
- 4x LEG (A + B + 2x C)
- 2x SHORT SIDE PANEL (A B)
- 2x SHORT CROSSBEAMS (A B)
- 1x ENGINE RAIL
- 2x LONG SIDE PANELS
- 1x LONG CROSSBEAM
- 2x PLAYBOARD HALVES

SHORT SIDE (WITH ENGINE STORAGE RAIL)

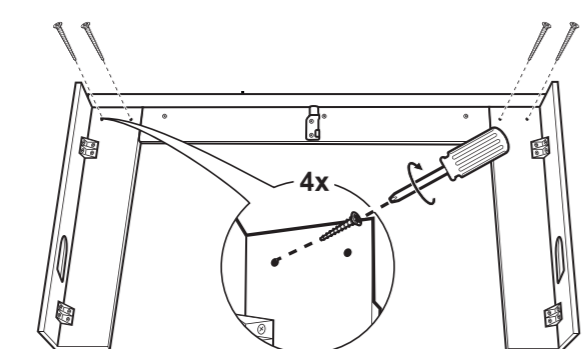
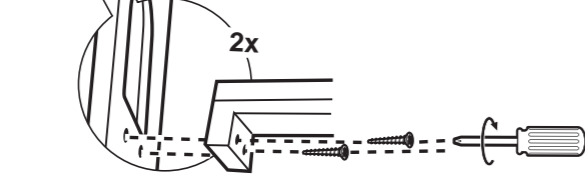
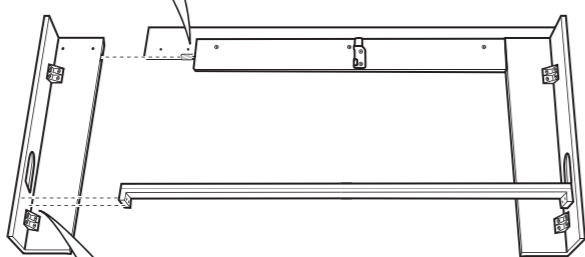
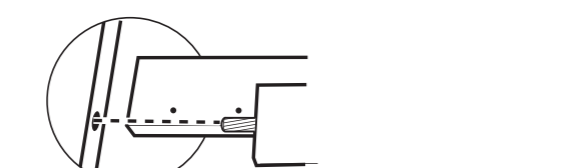
Assemble the Engine Rail to Leg "A" and secure with screws.



Assemble Short Side Panel A into Leg A, lining up the pegs with the holes and securing with screws.

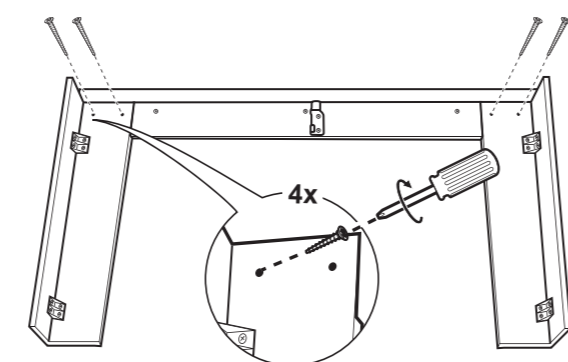
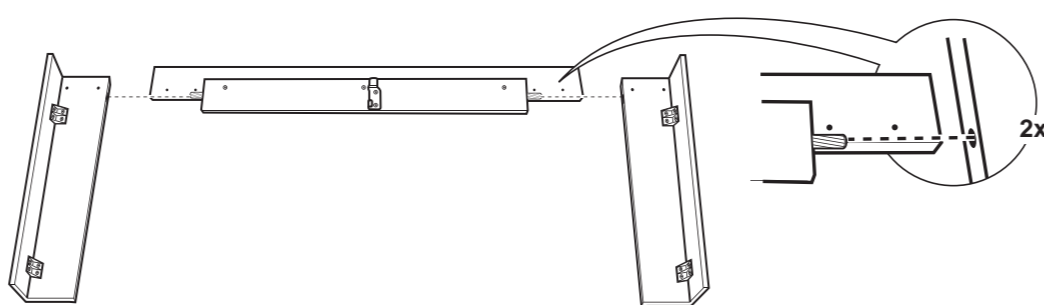
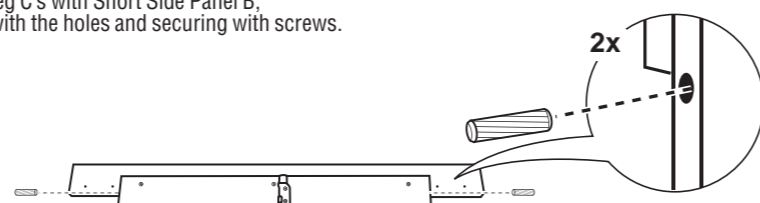


Add Leg B to the existing assembly, lining up the pegs with the holes and securing with screws.



SHORT SIDE (WITHOUT ENGINE STORAGE RAIL)

Assemble the (2) Leg C's with Short Side Panel B, lining up the pegs with the holes and securing with screws.



Based on the Railway Series by The Reverend W Awdry. ©2012 Gullane (Thomas) Limited. Thomas the Tank Engine & Friends™. Thomas the Tank Engine & Friends and Thomas & Friends are trademarks of Gullane (Thomas) Limited. ©2012 Mattel. All Rights Reserved. * and ™ designate U.S. trademarks of Mattel, except as noted. **PRINTED IN CHINA. IMPRIMÉ EN CHINE.**

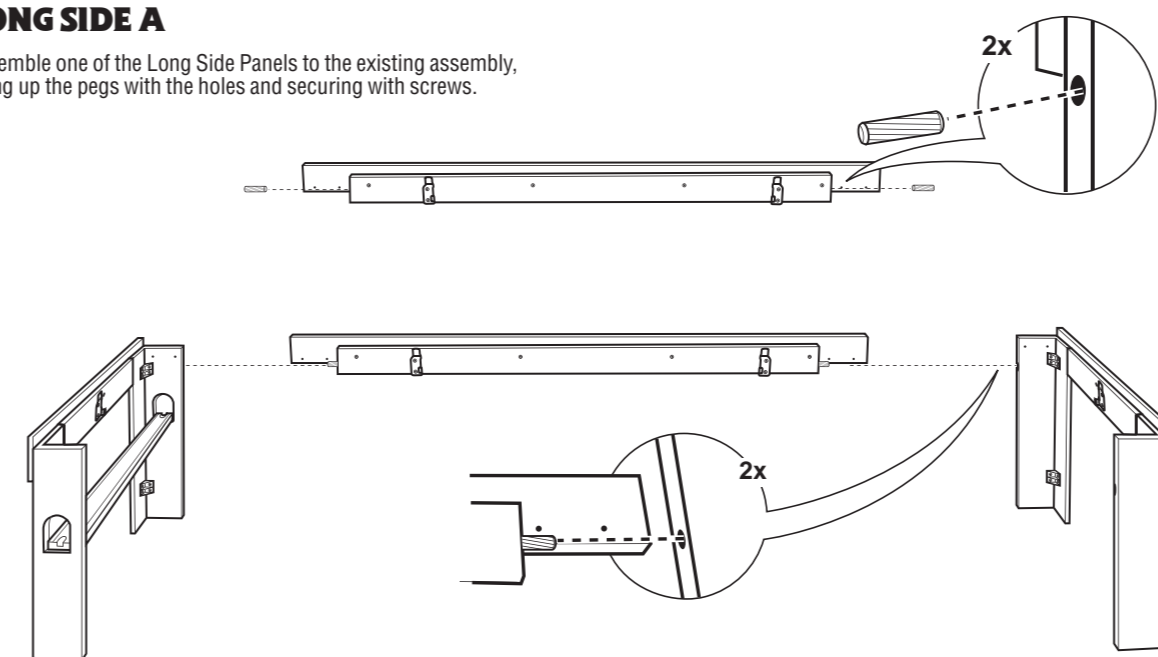
ID: Y4412-0920

FRONT PANEL

Item No : Y8687-0920
Version : EL
Size : 16" x 11"
Paper : Woodfree paper 70 gsm
Color : Black
Date : Aug. 23, 2012 (Edith)

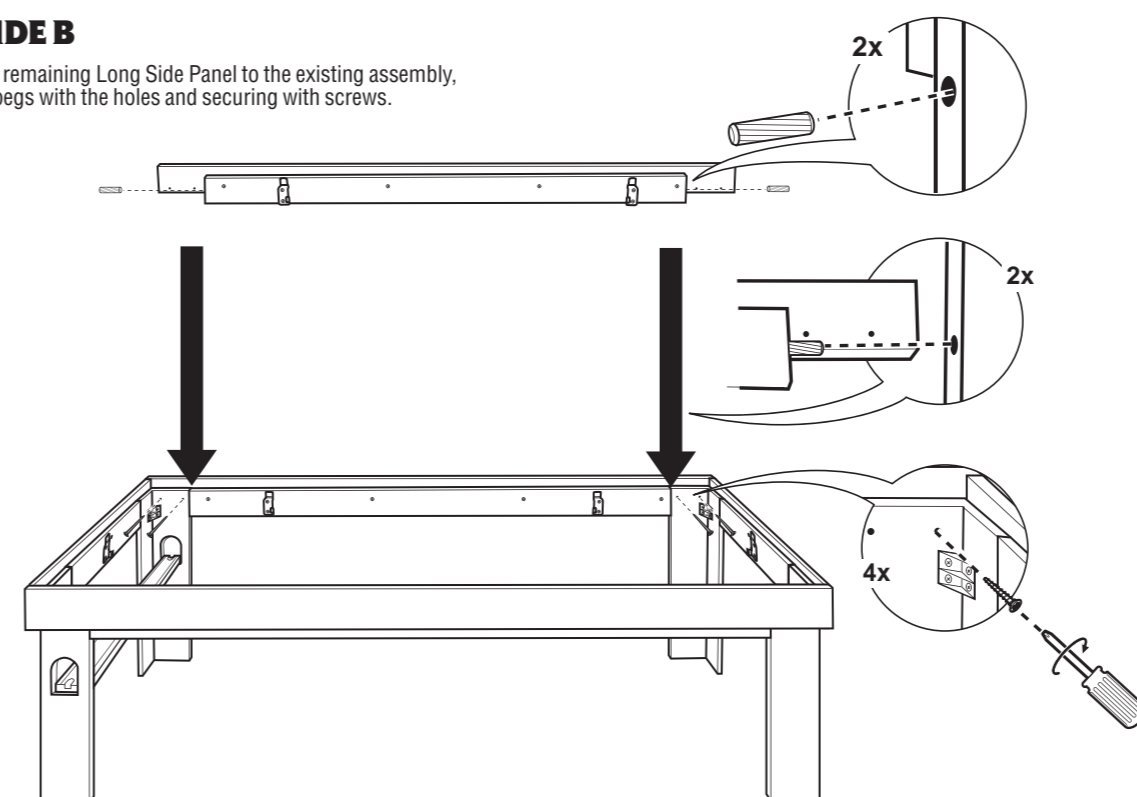
LONG SIDE A

Assemble one of the Long Side Panels to the existing assembly, lining up the pegs with the holes and securing with screws.



LONG SIDE B

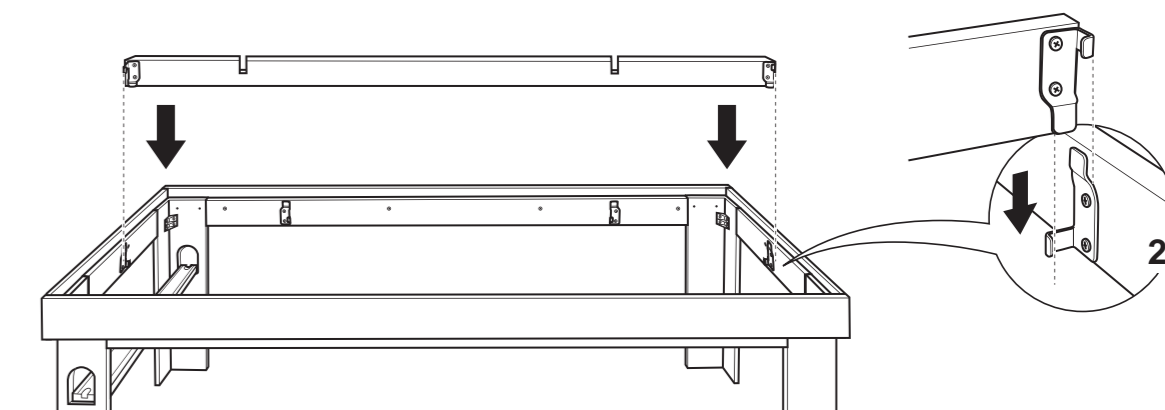
Assemble the remaining Long Side Panel to the existing assembly, lining up the pegs with the holes and securing with screws.



You now have a completed table frame.

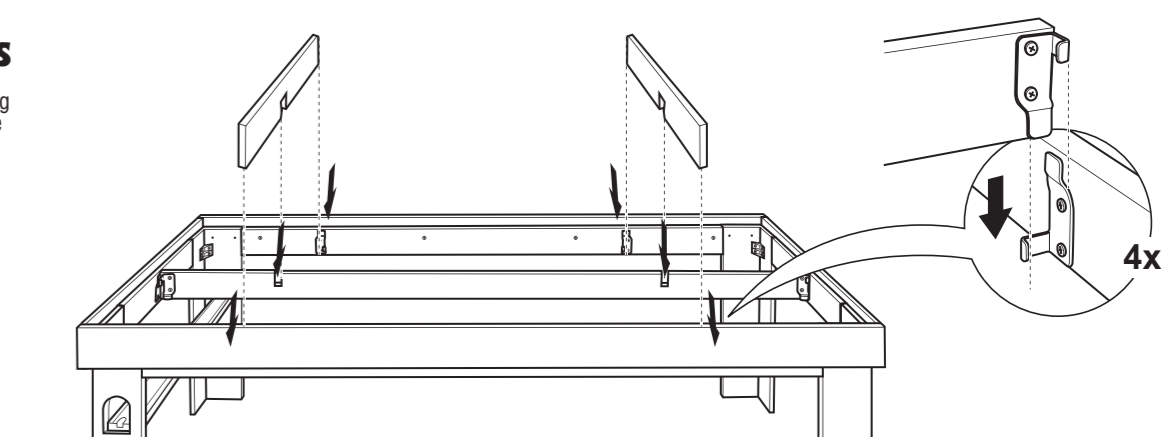
LONG CROSSBEAM

Assemble the Long Cross Beam to the completed table frame by inserting the hardware found on the ends of the Long Cross Beam into the hardware found on the short sides of the completed table frame.



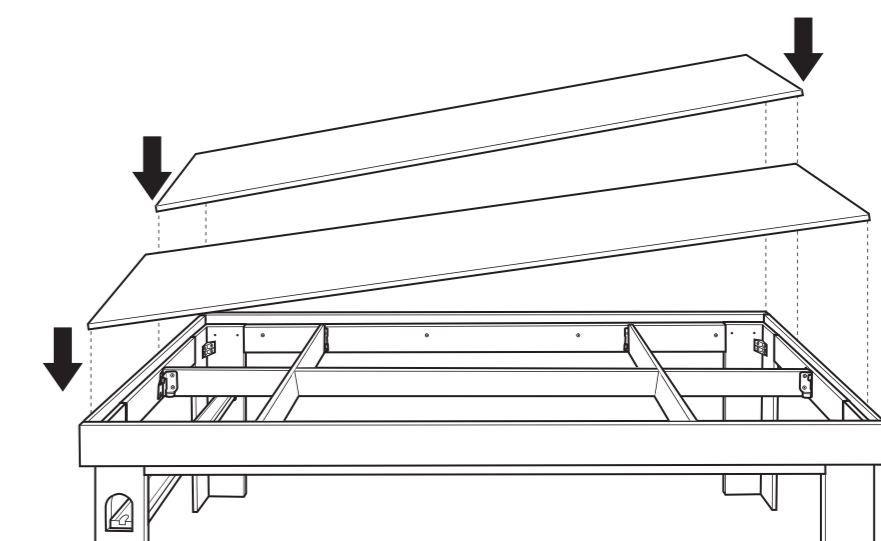
SHORT CROSSBEAMS

Add the 2 Short Crossbeams, inserting the hardware found on the ends of the Short Crossbeams into the hardware found on the long sides of the completed table frame.

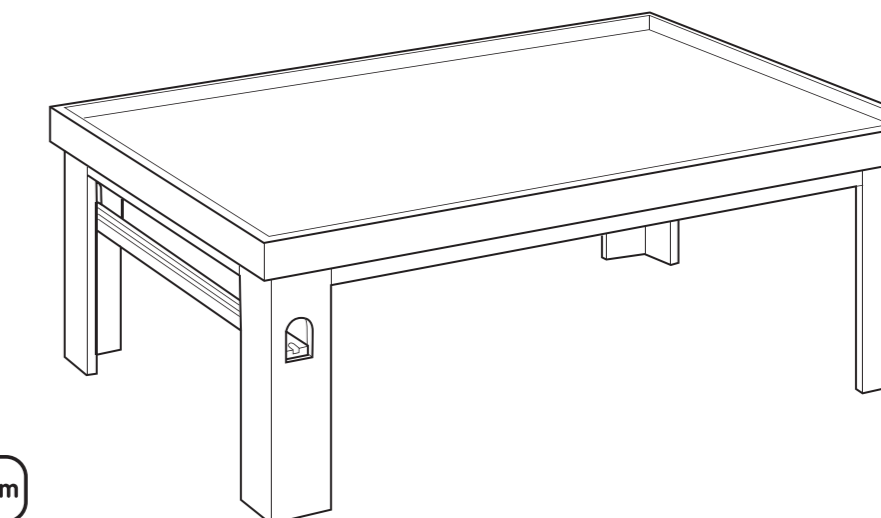


PLAYBOARD

Lay the two halves of the playboard into the completed table frame.



FINISH



service.fisher-price.com

Y4412
FisherPrice

BACK PANEL