

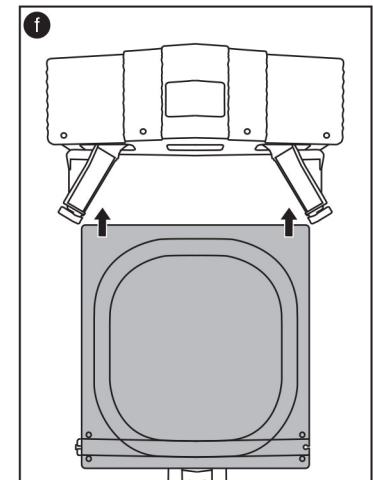
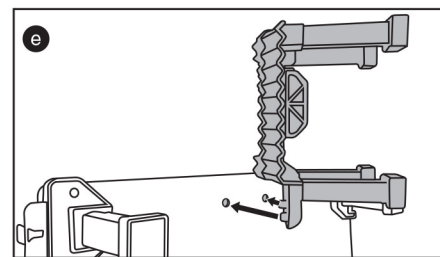
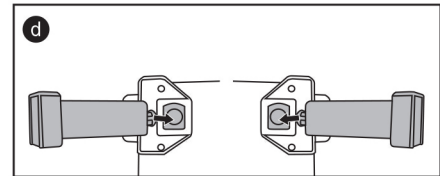
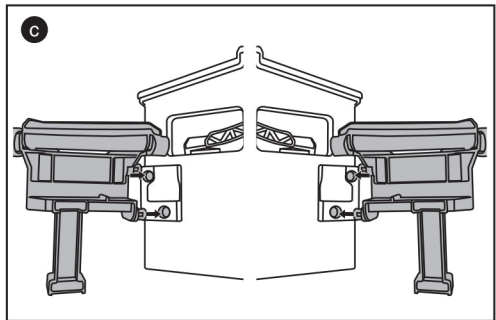
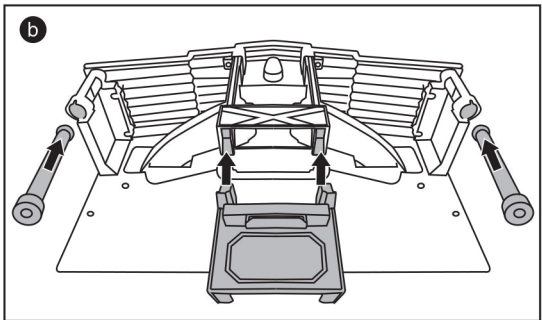
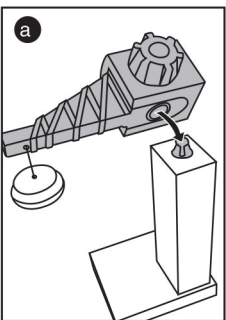
# DELUXE BRENDAM BAY SHIPPING CO. SET

**Fisher-Price**  
Y4496  
ID. Y4496-0920

## INSTRUCTIONS

Please keep these instructions for future reference as they contain important information.

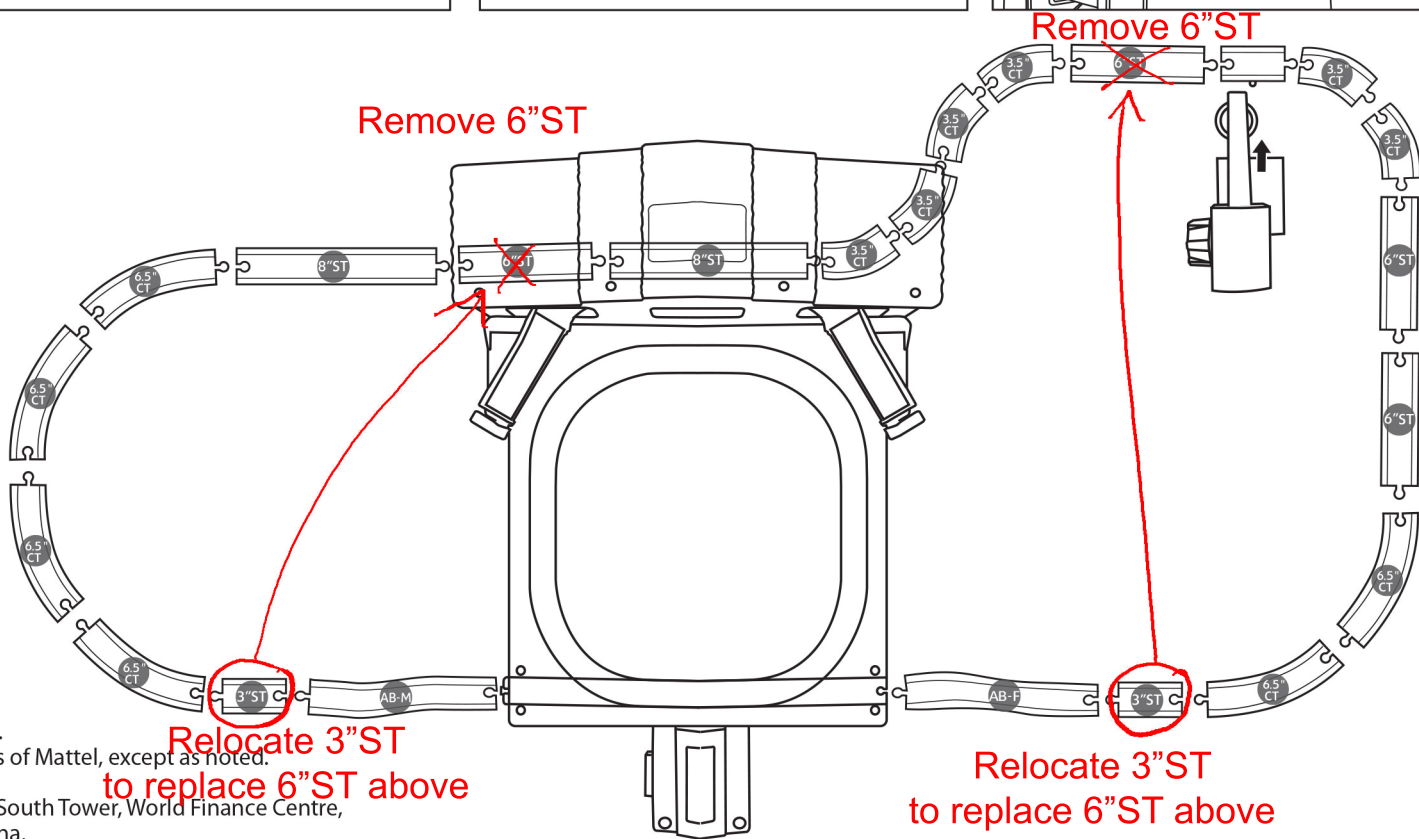
### ASSEMBLY



### TRACK LAYOUT

#### LEGEND

**CT** = Curved Track  
**ST** = Straight Track  
**AB** = Ascending Bridge  
**M** = Male  
**F** = Female



©2013 Gullane (Thomas) Limited.  
 ©2013 Mattel. All Rights Reserved.  
 ® and ™ designate U.S. trademarks of Mattel, except as noted.  
**PRINTED IN CHINA.**  
 Mattel East Asia Ltd., Room 1106, South Tower, World Finance Centre,  
 Harbour City, Tsimshatsui, HK, China.

#### CONSUMER ASSISTANCE

1-800-432-6437 (US & Canada)  
 1300 135 312 (Australia)

service.fisher-price.com

Fisher-Price, Inc., 636 Girard Avenue, East Aurora, NY 14052.  
 Hearing-impaired consumers: 1-800-382-7470.

**Outside the United States:**  
 Canada: Mattel Canada Inc., 6155 Freemont Blvd.,  
 Mississauga, Ontario L5R 3W2; www.service.mattel.com.  
 Great Britain: Mattel UK Ltd, Vanwall Business Park,  
 Maidenhead SL6 4UB. Helpline: 01628 500303.  
 www.service.mattel.com/uk  
 Mattel Europa B.V., Gondel 1, 1186 MJ Amstelveen, Nederland.  
 Australia: Mattel Australia Pty. Ltd., 658 Church Street,  
 Locked Bag #970, Richmond, Victoria 3121 Australia.  
 New Zealand: 16-18 William Pickering Drive,  
 Albany 1331, Auckland.