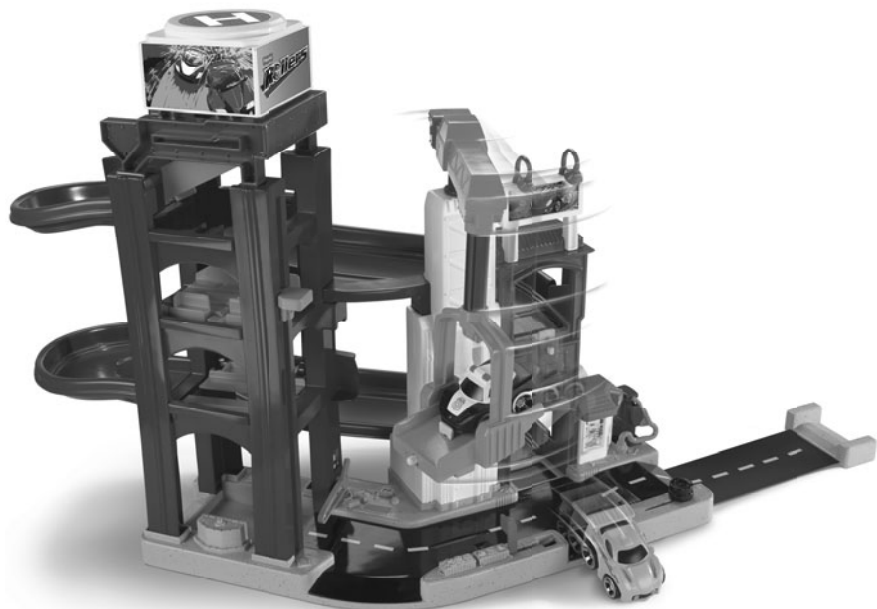


Fisher-Price®

Y5008



Please keep this instruction sheet for future reference,  
as it contains important information.

Requires three AA (LR6) **alkaline** batteries (not included) for operation.

Adult assembly is required. Tool required for battery installation:  
Phillips screwdriver (not included).

Wipe this toy with a clean, damp cloth. Do not immerse.

This toy has no consumer serviceable parts. Do not take apart.

**fisher-price.com**

**CONSUMER ASSISTANCE**  
1-800-432-5437 (US & Canada)  
1300 135 312 (Australia)

**service.fisher-price.com**

Fisher-Price, Inc., 636 Girard Avenue, East Aurora, NY 14052.  
Hearing-impaired consumers: 1-800-382-7470.

**Outside the United States:**

Canada: Mattel Canada Inc., 6155 Freemont Blvd.,  
Mississauga, Ontario L5R 3W2; [www.service.mattel.com](http://www.service.mattel.com).

Great Britain: Mattel UK Ltd, Vanwall Business Park,  
Maidenhead SL6 4UB. Helpline: 01628 500303.  
[www.service.mattel.com/uk](http://www.service.mattel.com/uk)

Mattel Europa B.V., Gondel 1, 1186 MJ Amstelveen, Nederland.

Australia: Mattel Australia Pty. Ltd., 658 Church Street,  
Locked Bag #870, Richmond, Victoria 3121 Australia.

New Zealand: 16-18 William Pickering Drive,  
Albany 1331, Auckland.

**FCC Statement (United States Only)**

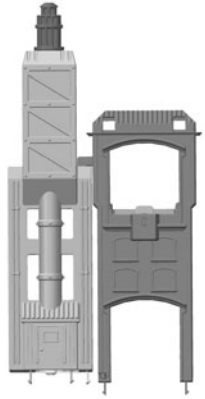
This equipment has been tested and found to comply with the limits for a Class B digital device, pursuant to Part 15 of the FCC Rules. These limits are designed to provide reasonable protection against harmful interference in a residential installation. This equipment generates, uses and can radiate radio frequency energy and, if not installed and used in accordance with the instructions, may cause harmful interference to radio communications. However, there is no guarantee that interference will not occur in a particular installation. If this equipment does cause harmful interference to radio or television reception, which can be determined by turning the equipment off and on, the user is encouraged to try to correct the interference by one or more of the following measures:

- Reorient or relocate the receiving antenna.
- Increase the separation between the equipment and receiver.
- Consult the dealer or an experienced radio/TV technician for help.

Note: Changes or modifications not expressly approved by the manufacturer responsible for compliance could void the user's authority to operate the equipment.

This device complies with Part 15 of the FCC Rules. Operation is subject to the following two conditions: (1) this device may not cause harmful interference and (2) this device must accept any interference received, including interference that may cause undesired operation.

## Assembled Parts



Tower



Elevator



Crane  
(2 pieces)



2 Wavy Ramps



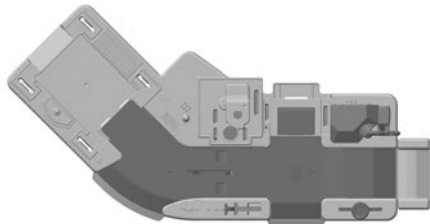
2 Curved Ramps



Connector



Billboard



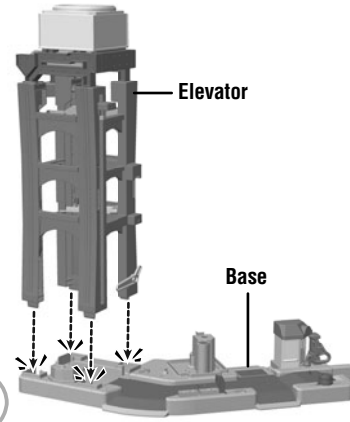
Base



Ramp Support

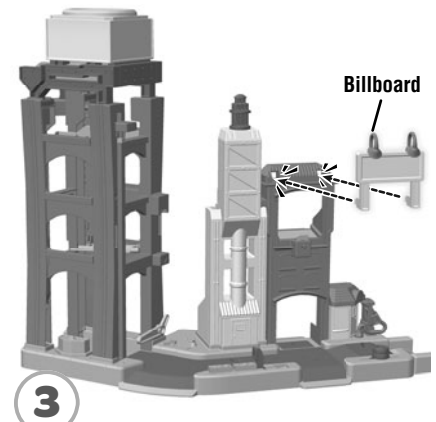
3

## Assembly



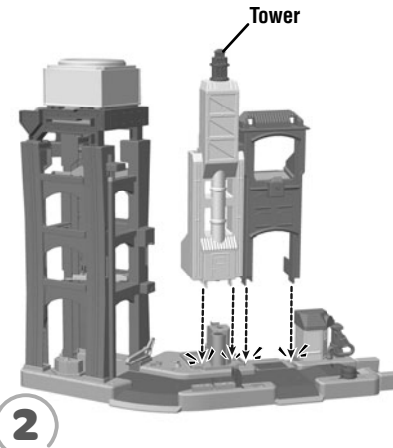
1

- Fit the tabs on the bottom of the elevator into the slots in the base. Push to **“snap”** in place.



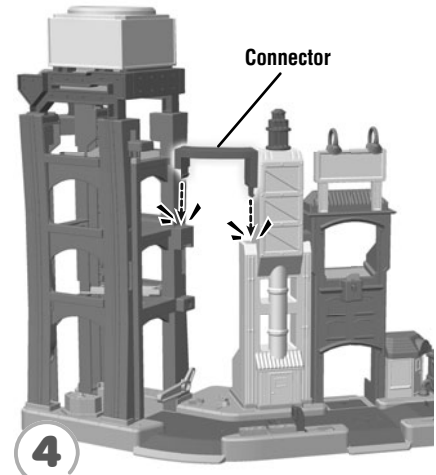
3

- **“Snap”** the billboard into the slots in the tower.



2

- Fit the tabs on the bottom of the tower into the slots in the base. Push to **“snap”** in place.

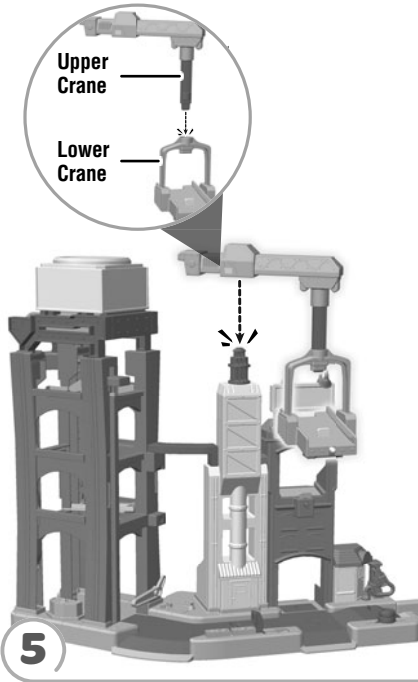


4

- **“Snap”** the connector into the slots in the elevator and tower.

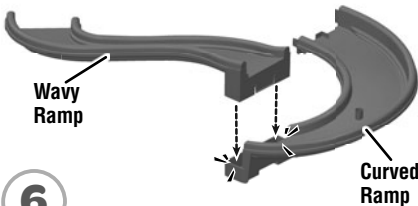
4

## Assembly



5

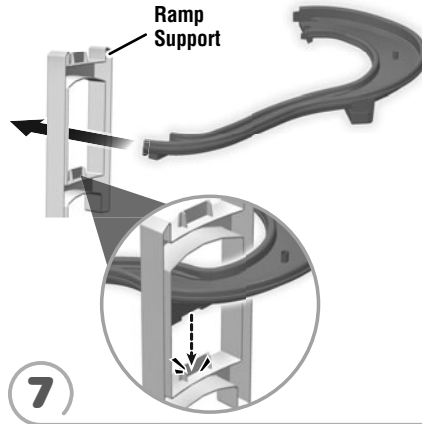
- Insert and “snap” the post on the upper crane into the hole in the lower crane.
- “Snap” the crane onto the post on the top of the tower.



6

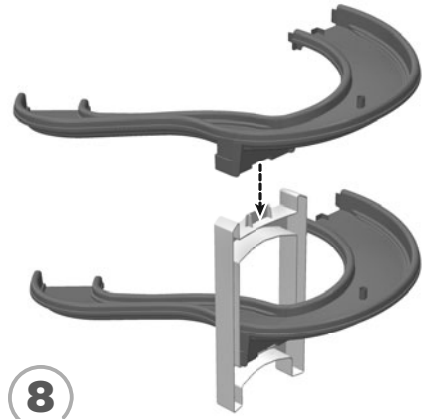
- Fit a wavy ramp onto a curved ramp and push to “snap” in place.
- Repeat to assemble the other wavy and curved ramps.

5



7

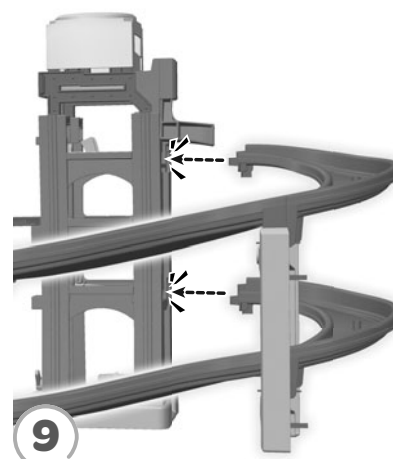
- First, fit a ramp assembly through the opening in the ramp Support.
- Then, “snap” the slot in the ramp assembly onto the tab on the ramp support.



8

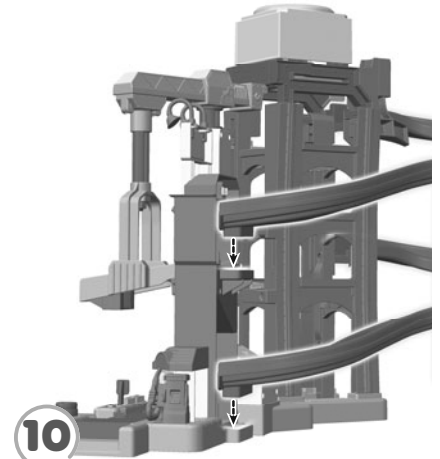
- “Snap” the slot in the remaining ramp assembly onto the tab on the ramp support.

## Assembly



9

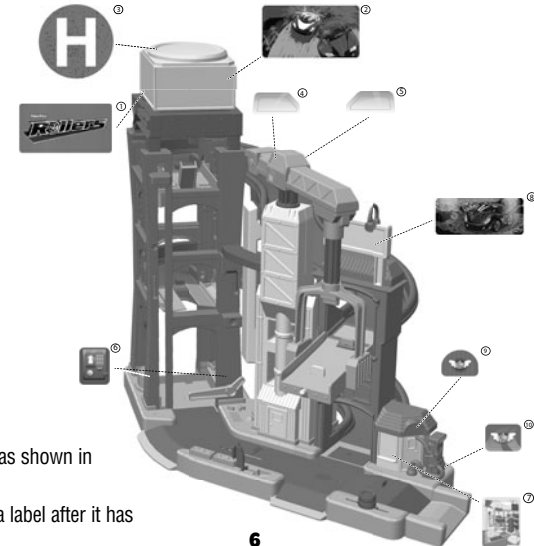
- Fit the upper tabs on the ramp assemblies into the slots in the elevator. Push to “snap” in place.



10

- Fit the lower tabs on the ramp assemblies into the slots on the tower and the base. Push to “snap” in place.

## Label Decoration



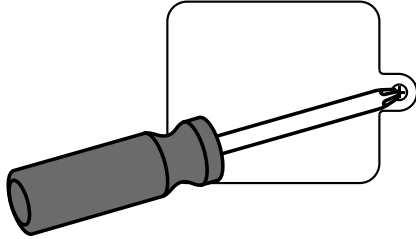
6

- Apply labels exactly as shown in the illustration.
- Avoid repositioning a label after it has been applied.

## Battery Installation



For longer life, use **alkaline** batteries.



- Loosen the screw in the battery compartment door and remove the door.
- Insert three AA (LR6) **alkaline** batteries.
- Replace the battery compartment door and tighten the screw.
- If this toy begins to operate erratically, you may need to reset the electronics. Slide the power switch off and back on.
- When sounds/motion become faint or stop, it's time for an adult to change the batteries.



- Protect the environment by not disposing of this product with household waste (2002/96/EC). Check your local authority for recycling advice and facilities.

7

## Battery Safety Information

**In exceptional circumstances, batteries may leak fluids that can cause a chemical burn injury or ruin your product. To avoid battery leakage:**

- Do not mix old and new batteries or batteries of different types: alkaline, standard (carbon-zinc) or rechargeable (nickel-cadmium).
- Insert batteries as indicated inside the battery compartment.
- Remove batteries during long periods of non-use. Always remove exhausted batteries from the product. Dispose of batteries safely. Do not dispose of this product in a fire. The batteries inside may explode or leak.
- Never short-circuit the battery terminals.
- Use only batteries of the same or equivalent type, as recommended.
- Do not charge non-rechargeable batteries.
- Remove rechargeable batteries from the product before charging.
- If removable, rechargeable batteries are used, they are only to be charged under adult supervision.

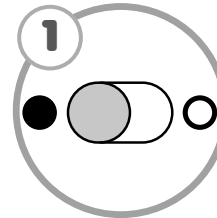
### ICES-003

This Class B digital apparatus complies with Canadian ICES-003. Operation is subject to the following two conditions: (1) this device may not cause harmful interference and (2) this device must accept any interference received, including interference that may cause undesired operation.

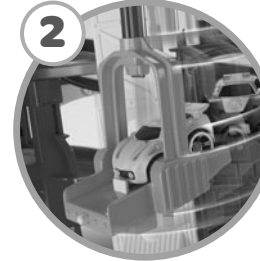
### NMB-003

Cet appareil numérique de la classe B est conforme à la norme NMB-003 du Canada. L'utilisation de ce dispositif est autorisée seulement aux conditions suivantes: (1) il ne doit pas produire de brouillage et (2) l'utilisateur du dispositif doit être prêt à accepter tout brouillage radioélectrique reçu, même si ce brouillage est susceptible de compromettre le fonctionnement du dispositif.

## Use



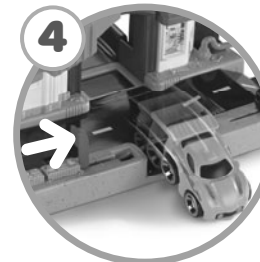
Slide the power ON ● or OFF ○.



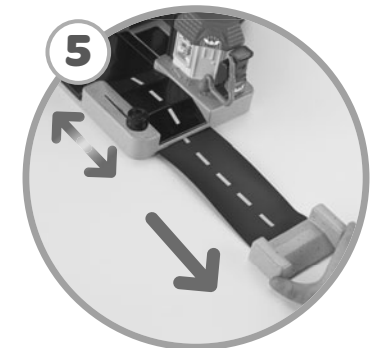
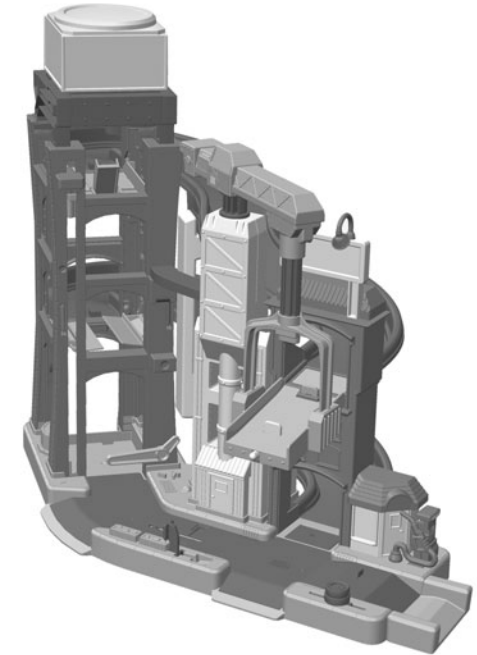
Press the gas pump for sounds!



Send a vehicle down the ramp. Watch and listen as it races down and the crane "catches" the getaway car!



Press the launcher to drive the vehicle down the road!



Pull the roll-out road to extend plat!  
Slide the knob back and forth to retract the road.  
Do not turn the knob.

8