

Fisher-Price®

Y6965
BMD91



Please keep this instruction sheet for future reference,
as it contains important information.

Requires three AA (LR6) **alkaline** batteries (not included) for operation.
Adult assembly is required. Tool required: Phillips screwdriver (not included).

Wipe this toy with a clean, damp cloth. Do not immerse.

This toy has no consumer serviceable parts. Do not take apart.

fisher-price.com

Consumer Information



CONSUMER ASSISTANCE
1-800-432-5437 (US & Canada)
1300 135 312 (Australia)

service.fisher-price.com

Fisher-Price, Inc., 636 Girard Avenue, East Aurora, NY 14052.
Hearing-impaired consumers: 1-800-382-7470.

Outside the United States:
Canada: Mattel Canada Inc., 6155 Freemont Blvd.,
Mississauga, Ontario L5R 3W2; www.service.mattel.com.
Great Britain: Mattel UK Ltd, Vanwall Business Park,
Maidenhead SL6 4UB. Helpline: 01628 500303.
www.service.mattel.com/uk
Mattel Europa B.V., Gondel 1, 1186 MJ Amstelveen, Nederland.
Australia: Mattel Australia Pty. Ltd., 658 Church Street,
Locked Bag #870, Richmond, Victoria 3121 Australia.
New Zealand: 16-18 William Pickering Drive,
Albany 1331, Auckland.

ICES-003

This Class B digital apparatus complies with Canadian ICES-003. Operation is subject to the following two conditions: (1) this device may not cause harmful interference and (2) this device must accept any interference received, including interference that may cause undesired operation.

NMB-003

Cet appareil numérique de la classe B est conforme à la norme NMB-003 du Canada. L'utilisation de ce dispositif est autorisée seulement aux conditions suivantes : (1) il ne doit pas produire de brouillage et (2) l'utilisateur du dispositif doit être prêt à accepter tout brouillage radioélectrique reçu, même si ce brouillage est susceptible de compromettre le fonctionnement du dispositif.

FCC Statement (United States Only)

This equipment has been tested and found to comply with the limits for a Class B digital device, pursuant to Part 15 of the FCC Rules. These limits are designed to provide reasonable protection against harmful interference in a residential installation. This equipment generates, uses and can radiate radio frequency energy and, if not installed and used in accordance with the instructions, may cause harmful interference to radio communications. However, there is no guarantee that interference will not occur in a particular installation. If this equipment does cause harmful interference to radio or television reception, which can be determined by turning the equipment off and on, the user is encouraged to try to correct the interference by one or more of the following measures:

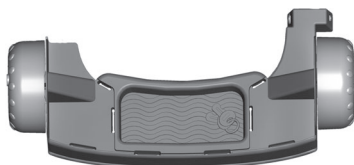
- Reorient or relocate the receiving antenna.
- Increase the separation between the equipment and receiver.
- Consult the dealer or an experienced radio/TV technician for help.

Note: Changes or modifications not expressly approved by the manufacturer responsible for compliance could void the user's authority to operate the equipment. This device complies with Part 15 of the FCC Rules. Operation is subject to the following two conditions: (1) This device may not cause harmful interference and (2) this device must accept any interference received, including interference that may cause undesired operation.

Assembled Parts



2 Rear Fenders



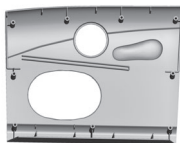
Rear Wheel Base



Windshield



Dash



Side Panel
(outside)



Trunk



Side Base



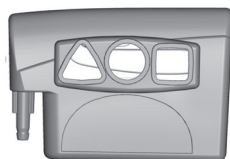
Side Panel
(inside)



Roller Assembly



Front End



Door

Part not shown: Label Sheet



CAUTION

This package contains small parts. For adult assembly only.

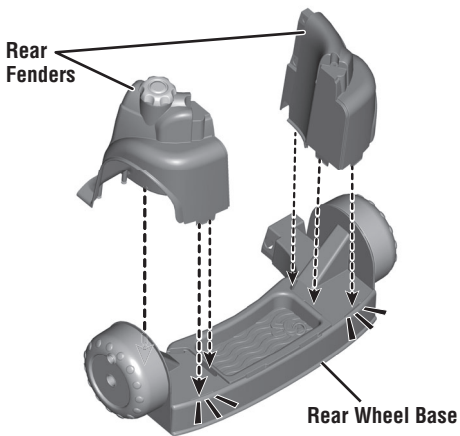


#8 x 3/4" (1,9 cm) Screw – 21

SHOWN ACTUAL SIZE

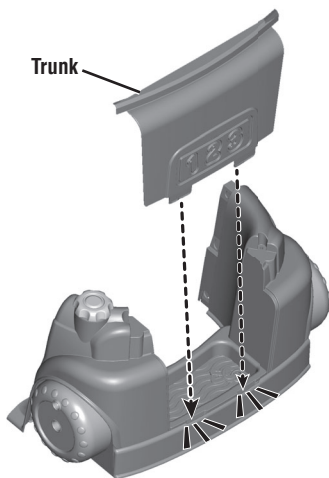
Tighten all screws with a Phillips screwdriver. Do not over-tighten.

Assembly



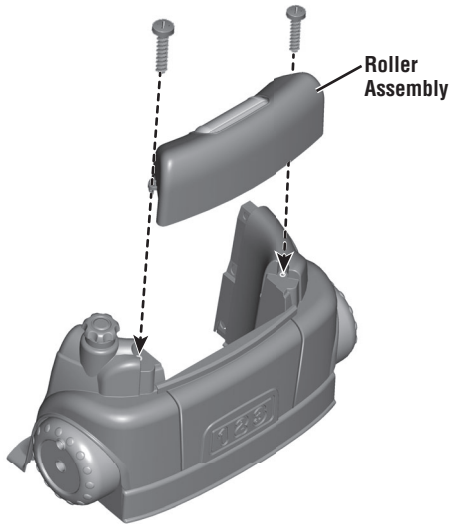
- Fit the rear fenders onto the rear wheel base. Push to “**snap**” each rear fender in place.

Hint: Each rear fender is designed to fit one way. If it does not seem to fit, try the other rear fender.



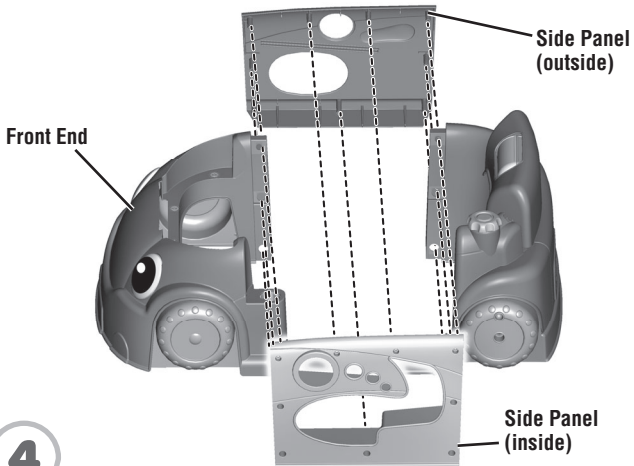
- Fit the trunk into the slots in the rear wheel base. Push to “**snap**” into place.

Assembly



3

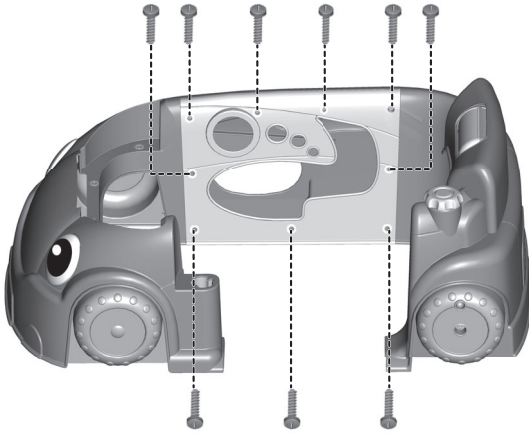
- Fit the tabs on the roller assembly into the slots in the trunk.
- Insert two screws into the roller assembly and tighten.



4

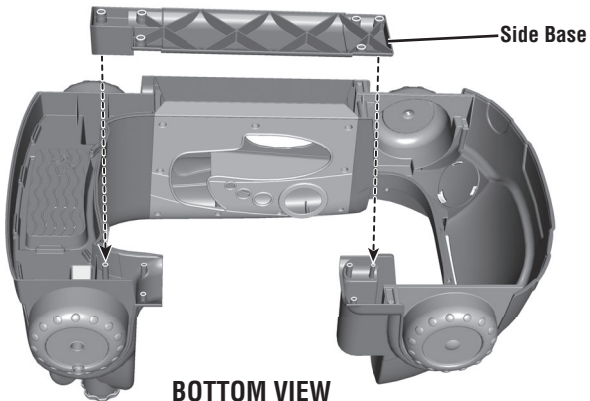
- Fit the side panels onto the front and rear ends.

Assembly



5

- Insert nine screws into the side panel and tighten.

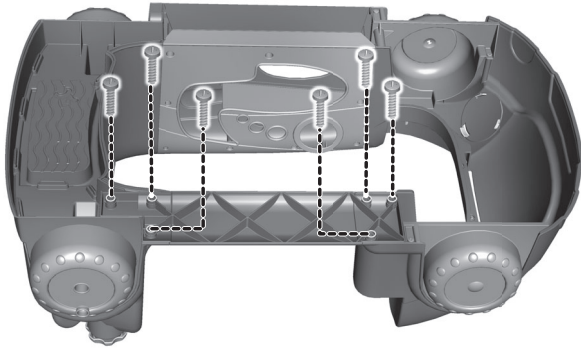


6

- Carefully turn the car assembly over.
- Fit the side base to the front and rear end of the car assembly.

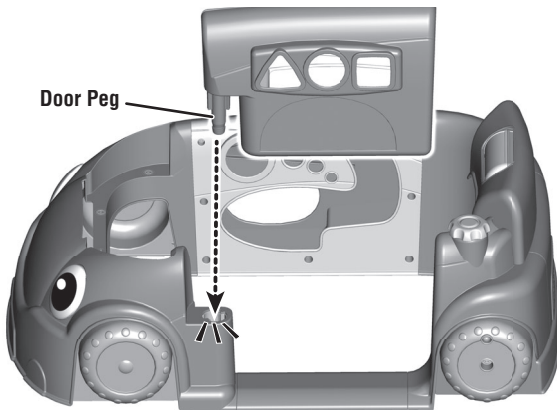
Assembly

7



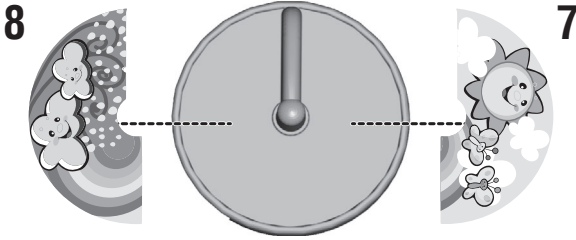
- Insert six screws into the side base and tighten.

8



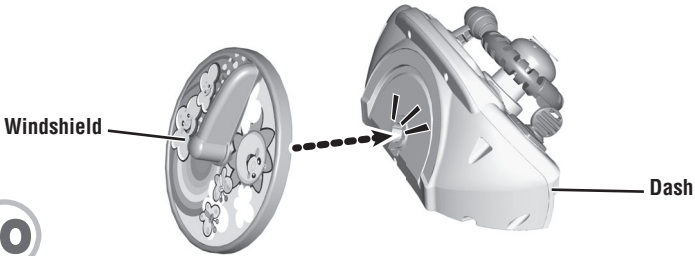
- Turn the car assembly upright.
- Fit the peg on the door into the hole in the car. Push to “snap” in place.

Assembly



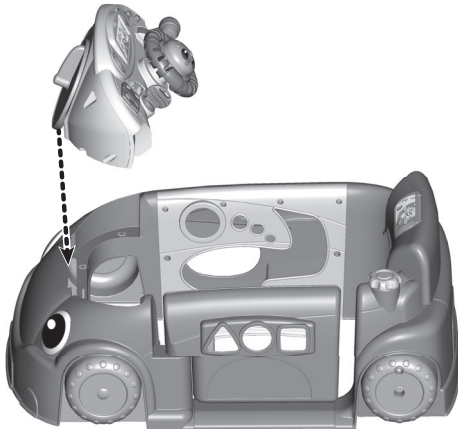
9

- IMPORTANT!** Apply labels 7 and 8 to windshield before completing the next step.
- Apply labels exactly as shown in the illustration. Avoid repositioning a label after it has been applied.



10

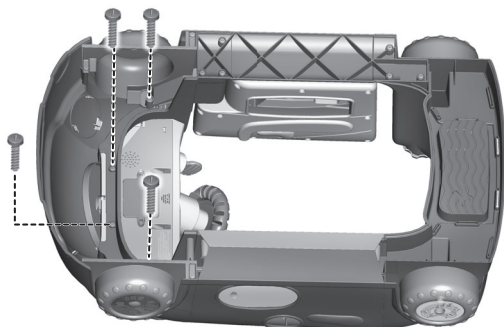
- Fit the windshield onto the dash and push to “snap” in place.



11

- Fit the windshield on the dash into the slot in the front end.

Assembly



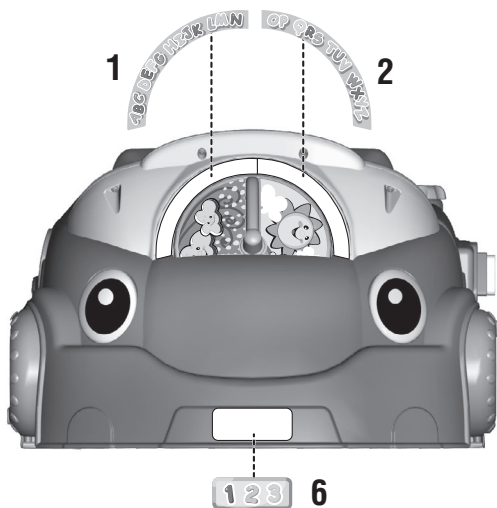
12

BOTTOM VIEW

- Carefully turn the car assembly over.
- Insert four screws into front end and tighten.

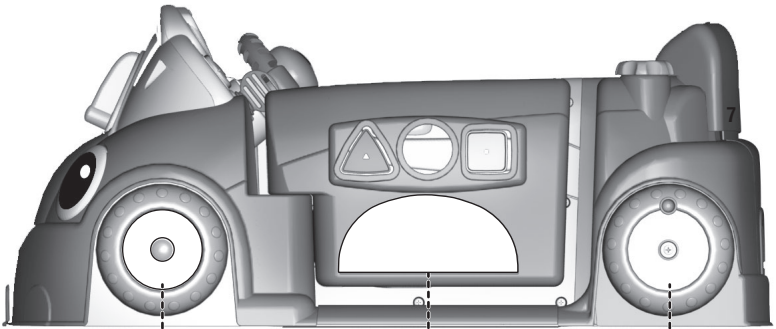
Decoration

Apply labels exactly as shown in illustrations. Avoid repositioning a label after it has been applied.



FRONT VIEW

Decoration



9

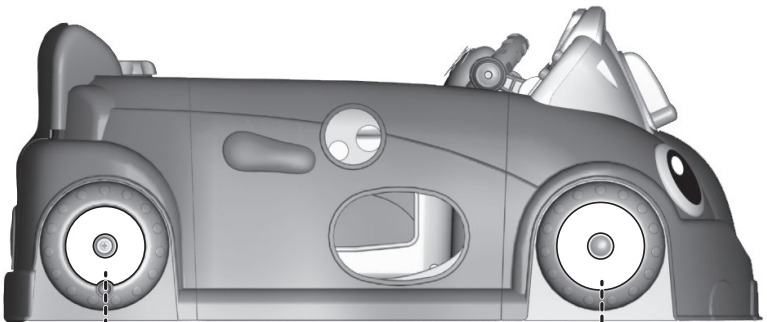


3



4

LEFT SIDE VIEW



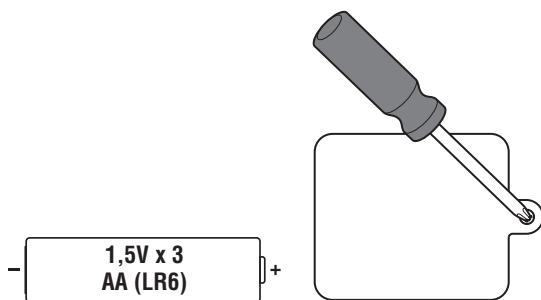
5




10

RIGHT SIDE VIEW

Battery Installation



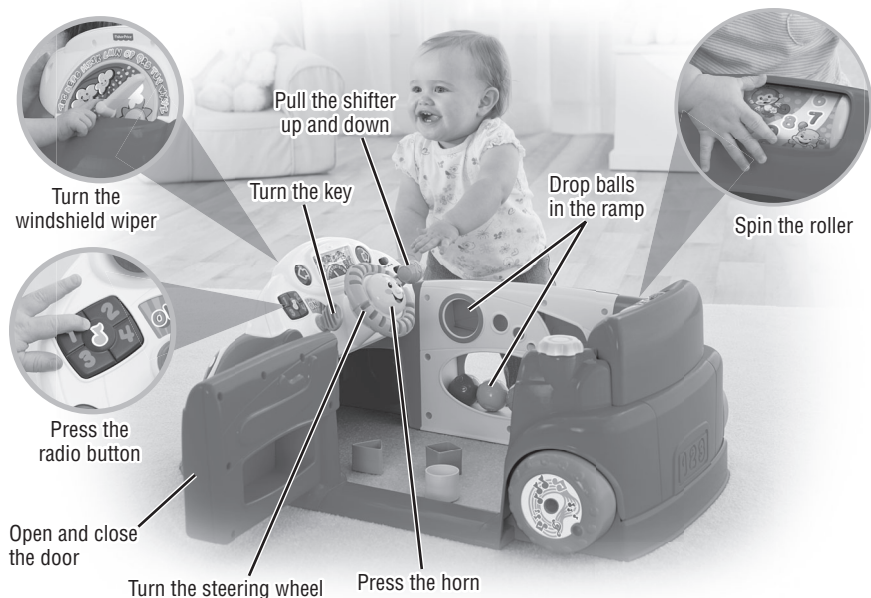
- For longer life, use **alkaline** batteries.
- Locate the battery compartment on the dashboard. Loosen the screw in the battery compartment door and remove the door.
- Insert three AA (LR6) **alkaline** batteries.
- Replace the battery compartment door and tighten the screw.
- If this toy begins to operate erratically, you may need to reset the electronics. Slide the power/volume switch off and back on.
- When sounds/lights become faint or stop, it's time for an adult to change the batteries.
-  Protect the environment by not disposing of this product with household waste (2002/96/EC). Check your local authority for recycling advice and facilities.

Battery Safety Information

In exceptional circumstances, batteries may leak fluids that can cause a chemical burn injury or ruin your product. To avoid battery leakage:

- Do not mix old and new batteries or batteries of different types: alkaline, standard (carbon-zinc) or rechargeable (nickel-cadmium).
- Insert batteries as indicated inside the battery compartment.
- Remove batteries during long periods of non-use. Always remove exhausted batteries from the product. Dispose of batteries safely. Do not dispose of this product in a fire. The batteries inside may explode or leak.
- Never short-circuit the battery terminals.
- Use only batteries of the same or equivalent type, as recommended.
- Do not charge non-rechargeable batteries.
- Remove rechargeable batteries from the product before charging.
- If removable, rechargeable batteries are used, they are only to be charged under adult supervision.

3 modes of play with fun sounds and lights!



- Slide the **power/volume switch** to ON with low volume 🔊, ON with high volume 🔊 or OFF ⏻.
- Slide the **mode switch** to:
 - 📖 **ABC Learning** – Learn about colors, numbers, weather and more!
 - 🎵 **Music** – Listen to fun sing-along songs and musical sounds!
 - 🎧 **Imagination** – Listen to fun sound effects and songs!