



Fisher-Price®

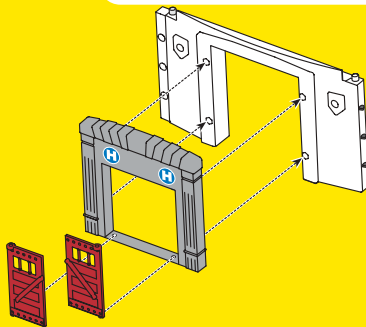
# Imaginext™

## PARAMEDIC STATION

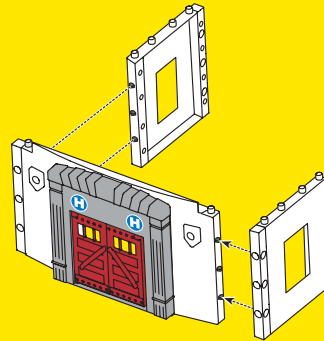
The Imaginext™ system lets your child's imagination come alive. With Quick-Snap panels™, kids can build different structures in lots of different ways. Use some of the parts or all of them!

### Let's Build It!

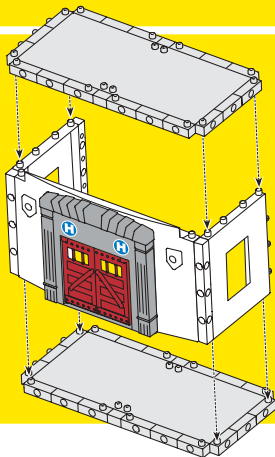
1.



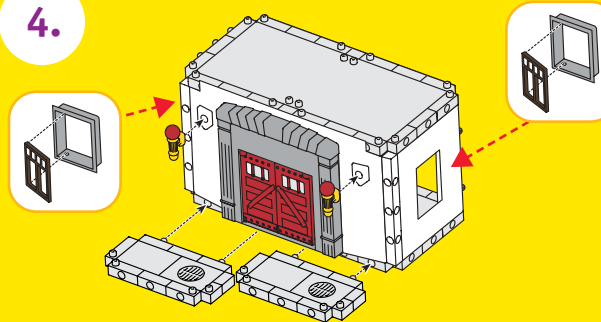
2.



3.



4.



### ⚠ WARNING

Warning – Choking Hazard Not recommended for children under 3 years because it contains small parts that can be swallowed.

### Consumer Information

#### Questions? We'd like to hear from you!

Call Fisher-Price® Consumer Relations, toll-free at

**1-800-432-5437**, 8 AM - 6 PM EST

Monday through Friday. Hearing-impaired consumers using TTY/TDD equipment, please call 1-800-382-7470. Or, write to: Fisher-Price®

Consumer Relations, 636 Girard Avenue, East Aurora, New York 14052. U.S.A.

For other countries outside the United States: **Canada:** call **1-800-567-7724**, or write to: Mattel Canada Inc., 6155 Freemont Blvd., Mississauga, Ontario L5R 3W2. **Great Britain:** telephone 01628 500302. **Australia:** Mattel Australia Pty. Ltd., 658 Church Street, Locked Bag #870, Richmond, Victoria 3121 Australia. Consumer Advisory Service 1300 135 312. **New Zealand:** 16-18 William Pickering Drive, Albany 1331, Auckland.