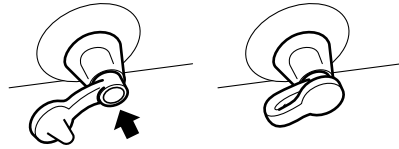
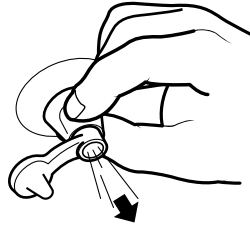


Inflating the pool

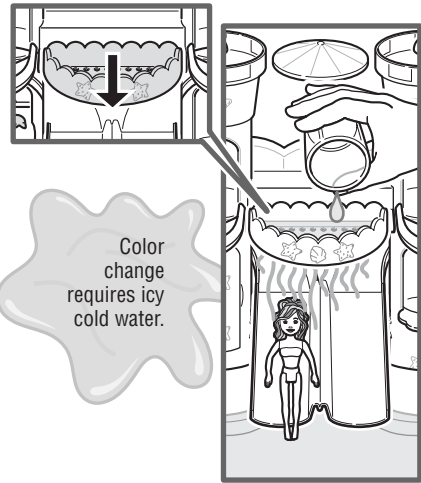
Slightly pinch the nozzle with your fingers, and blow into the nozzle. Close the cap tightly.



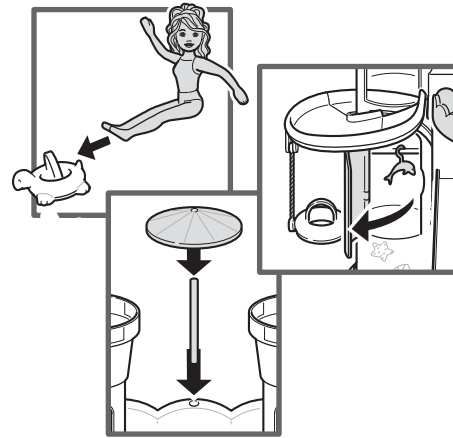
To deflate, pinch the nozzle with your fingers and push the air out.



Doll's hair changes color.



Color change requires icy cold water.



When fashions become dry, use baby powder for lubrication.

Water toys sometimes get messy. Protect play surfaces before use. Drain, rinse, clean and dry all items thoroughly before storing.

Color change will last longer if you do not expose this toy to intense heat or direct sunlight for prolonged periods of time.

CONSUMER INFORMATION

YOU CAN TELL IT'S MATTEL!™ CALL us toll-free or write with any comments or questions about our products or service. Monday-Friday 8:00 a.m.-6:00 p.m. Eastern Time. Outside U.S.A., see telephone directory for Mattel listing.

Consumer Relations, Mattel, Inc.
333 Continental Blvd.
El Segundo, CA 90245 USA

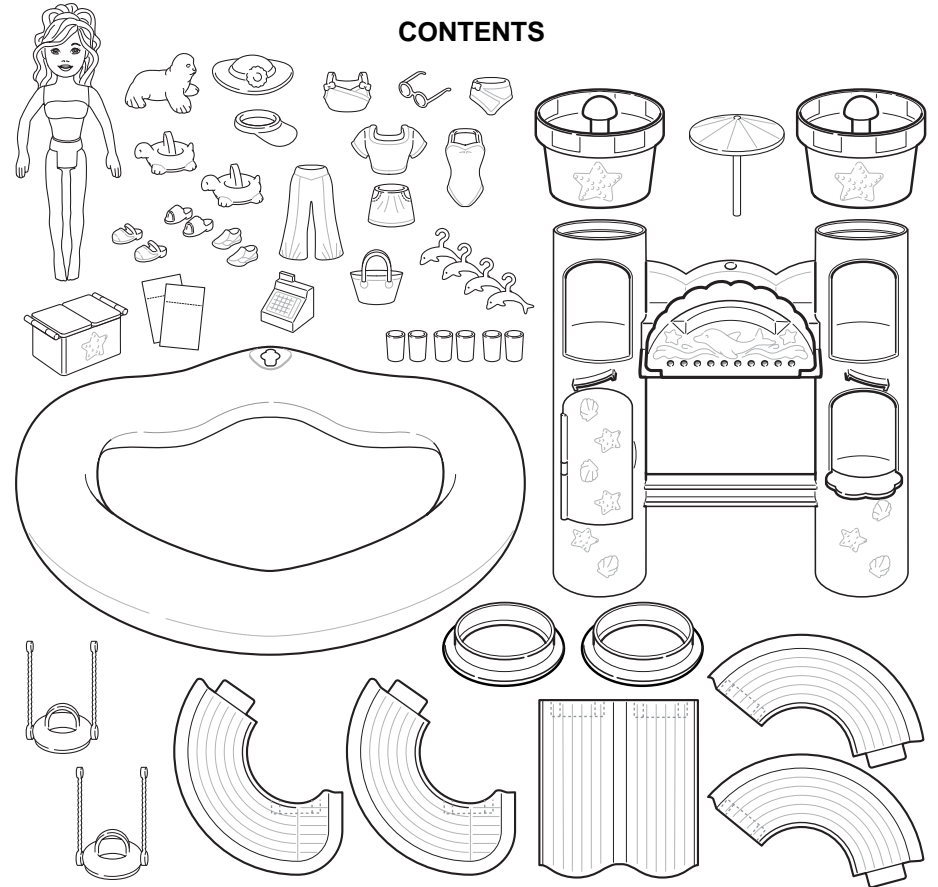
1 (800) 524-TOYS

WE ARE DEDICATED TO QUALITY PRODUCTS.



INSTRUCTIONS

CONTENTS



WARNING:
CHOKING HAZARD - Small parts.
Not for children under 3 years.

Colors and decorations may vary from those shown.

Please remove everything from the package and compare to the contents shown here. If any items are missing, please call 1-800-524-TOYS.

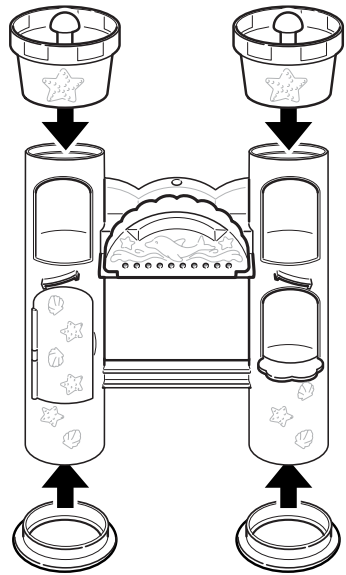


B7094-0920

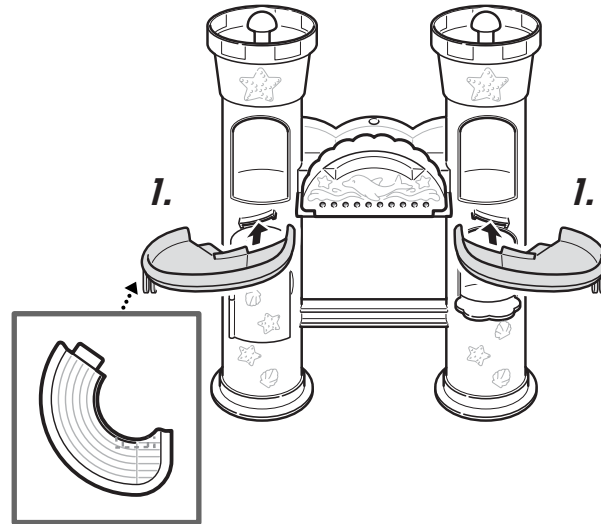
Keep these instructions for future reference as they contain important information.

At Wild Waves™ Castle, there's so much to do!

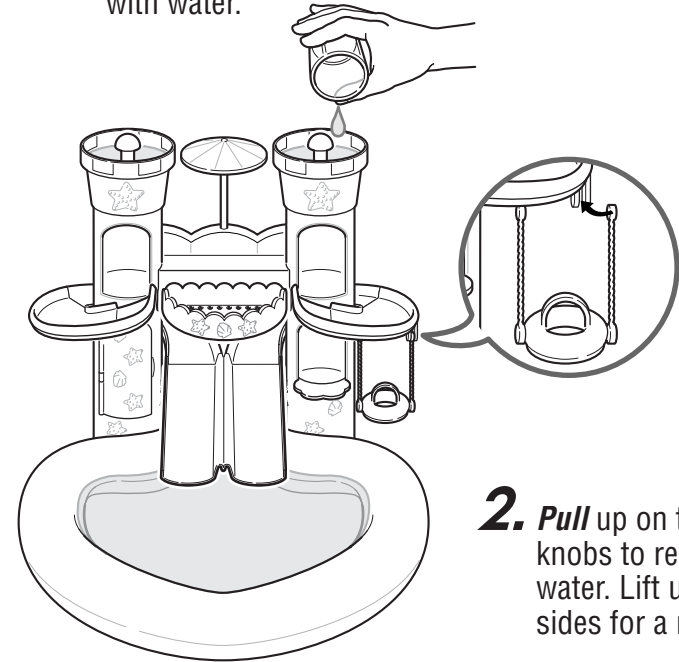
Attach tops and bases to the two towers.



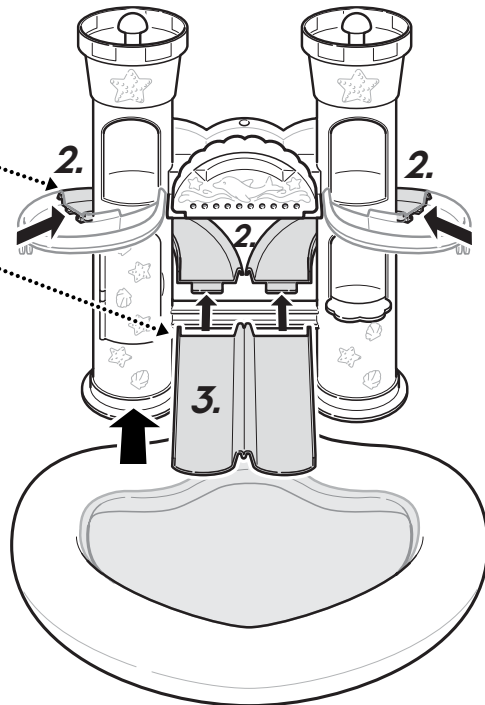
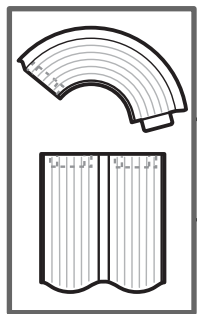
Attach slides to towers.



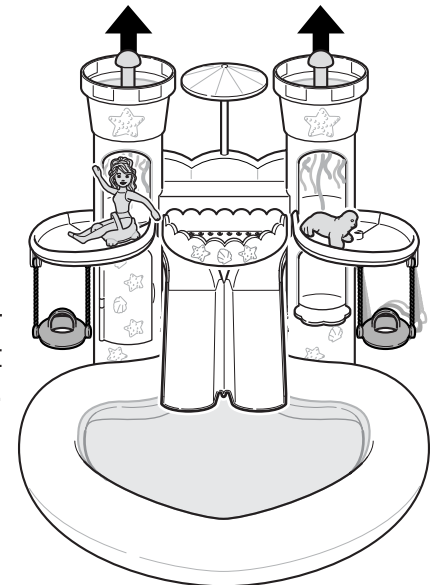
1. Fill tops of towers with water.



2. Pull up on the tower knobs to release water. Lift up **both** sides for a race.



Polly races her friends or hangs out on the swings.



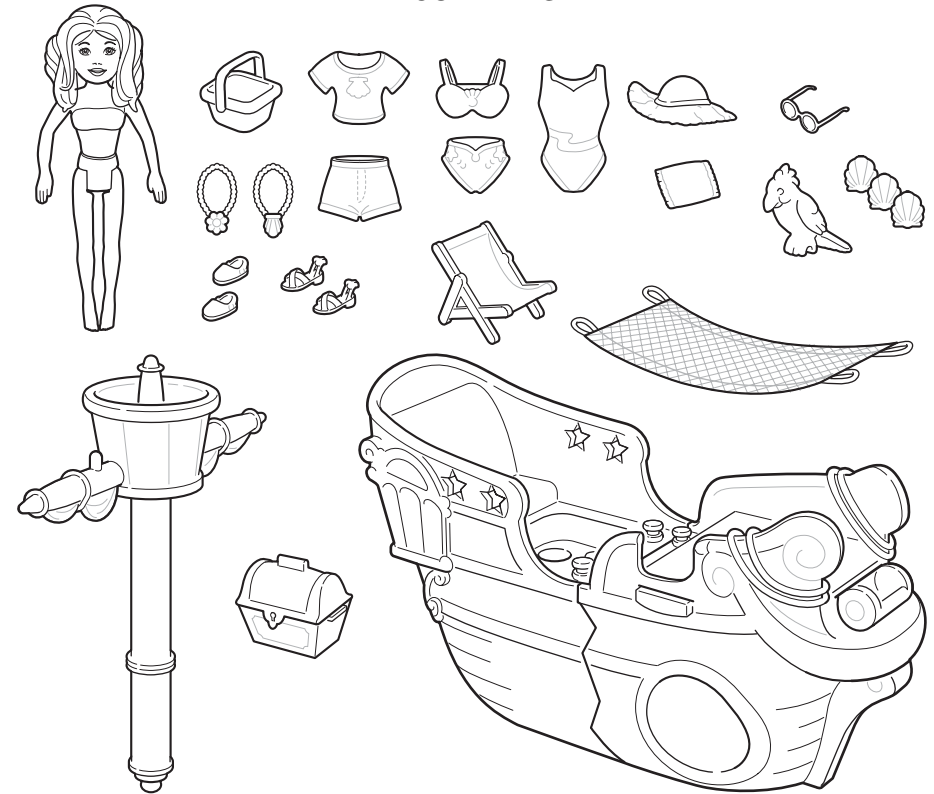


Polly!TM pocket

Wild WavesTM Shipwreck Cove

INSTRUCTIONS

CONTENTS



When fashions become dry, use baby powder for lubrication.

Water toys sometimes get messy. Protect play surfaces before use. Drain, rinse, clean and dry all items thoroughly before storing.

Color change will last longer if you do not expose this toy to intense heat or direct sunlight for prolonged periods of time.

CONSUMER INFORMATION

YOU CAN TELL IT'S MATTEL!TM CALL us toll-free or write with any comments or questions about our products or service. Monday-Friday 8:00 a.m.-6:00 p.m. Eastern Time. Outside U.S.A., see telephone directory for Mattel listing.

Consumer Relations, Mattel, Inc.
333 Continental Blvd.
El Segundo, CA 90245 USA

1 (800) 524-TOYS

WE ARE DEDICATED TO QUALITY PRODUCTS.



Colors and decorations may vary from those shown.

Please remove everything from the package and compare to the contents shown here. If any items are missing, please call 1-800-524-TOYS.



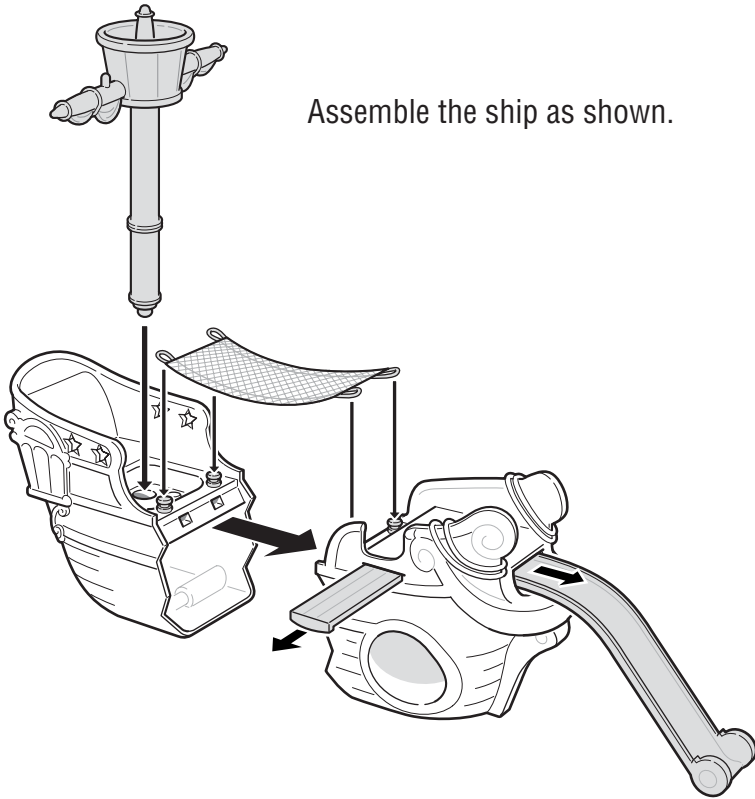
B7096-0920

Keep these instructions for future reference as they contain important information.

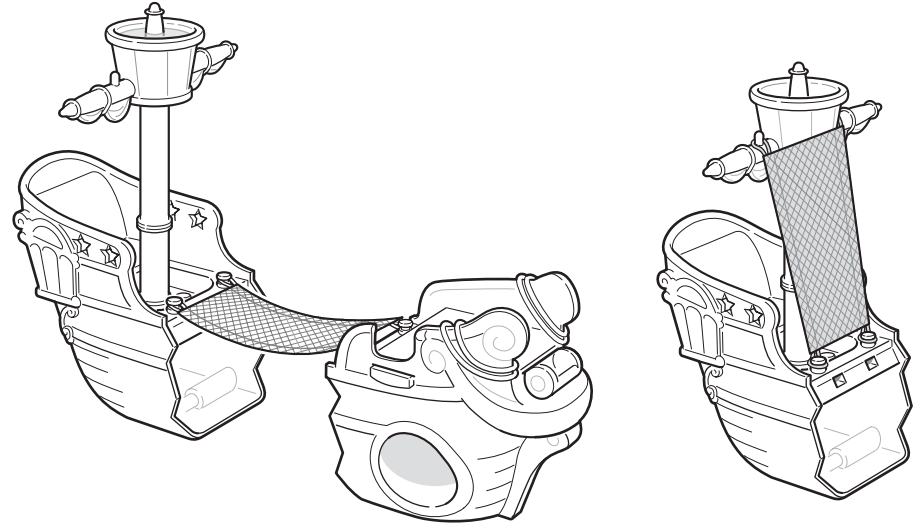
Ahoy, matey! Playing with Ana™ and Shipwreck Cove™!

1.

Assemble the ship as shown.

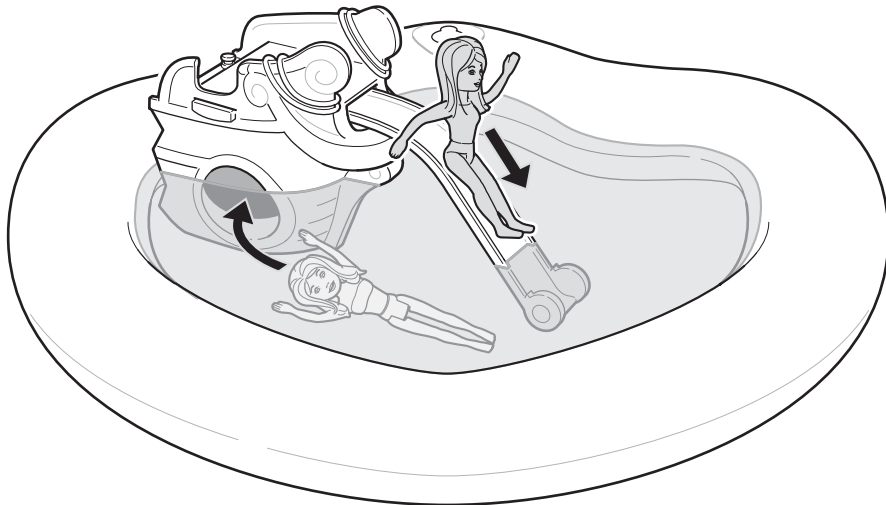


The net can be used in two ways.

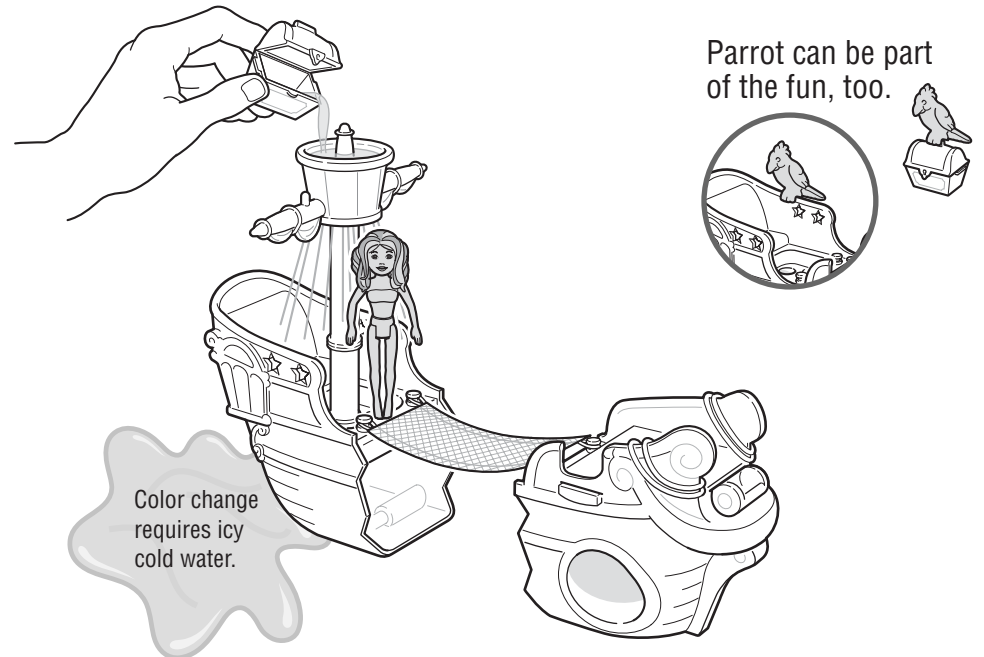


2.

The ship has a slide and a tunnel for your doll to swim through.



Doll's hair changes color.



Parrot can be part of the fun, too.



Color change requires icy cold water.