



INSTRUCTIONS

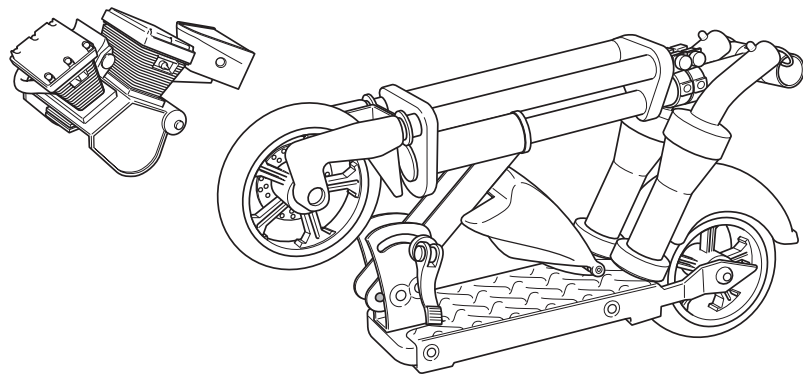
J2357-0920



5+

Keep these instructions for future reference as they contain important information.

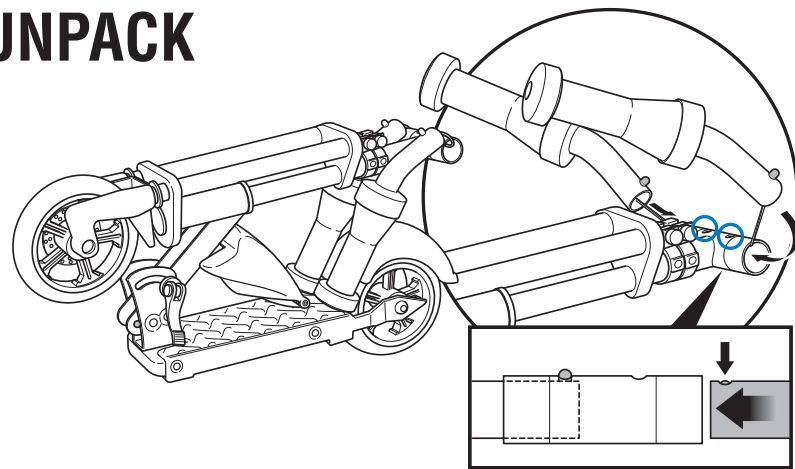
CONTENTS:



- Requires 2 "AAA" (LR03) alkaline batteries (not included).
- Tires and seat contain natural rubber latex.

© 2005 Mattel, Inc. All Rights Reserved. Tous droits réservés.

UNPACK

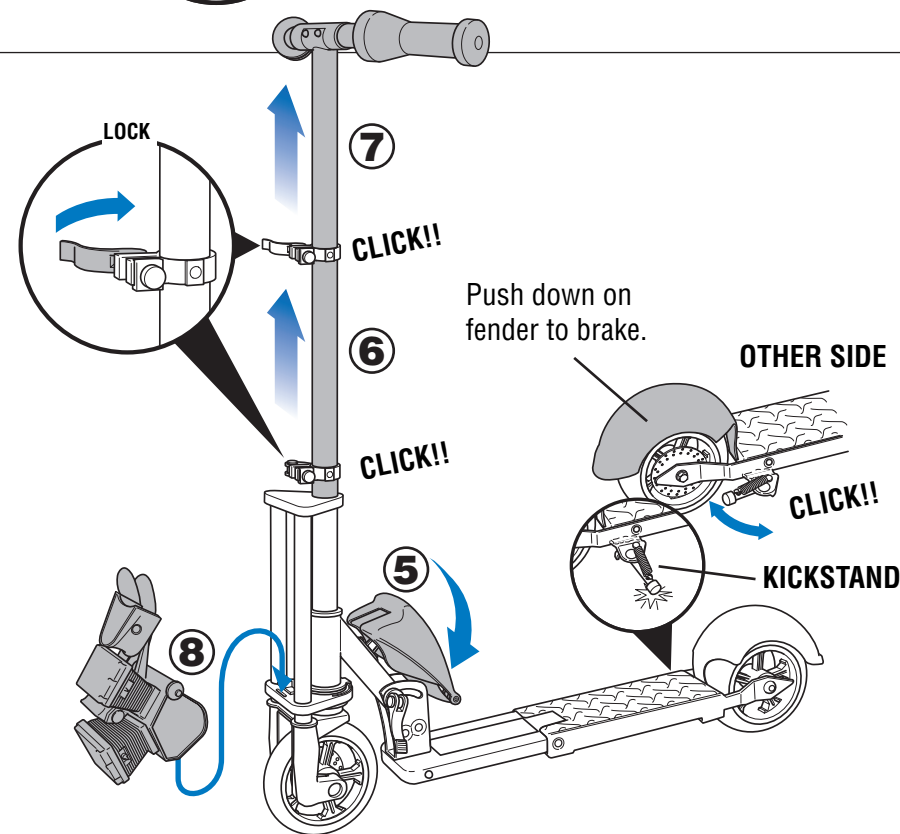
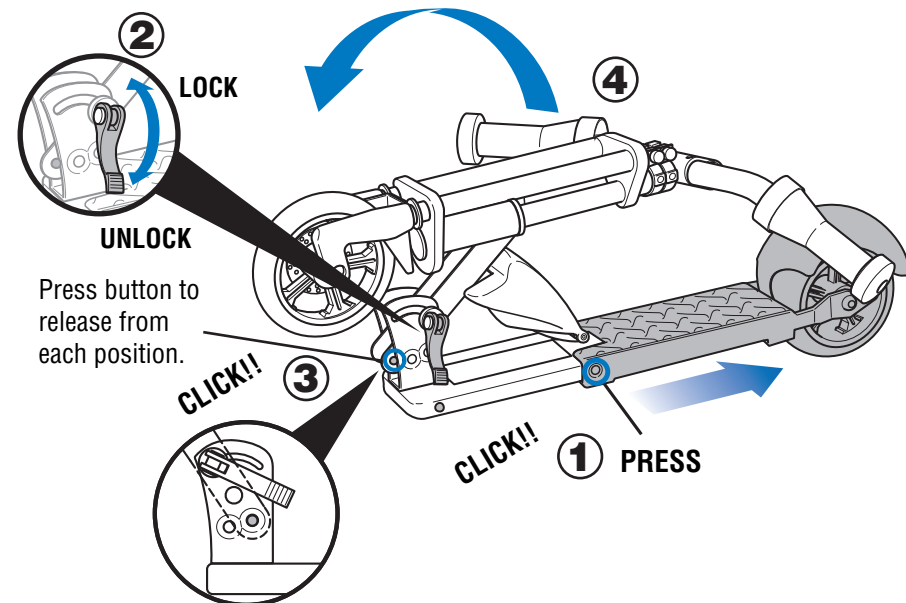


WARNING: Always unlock levers before changing position of handlebars. Make sure to lock handles into place as shown above. Read all safety labels before play.

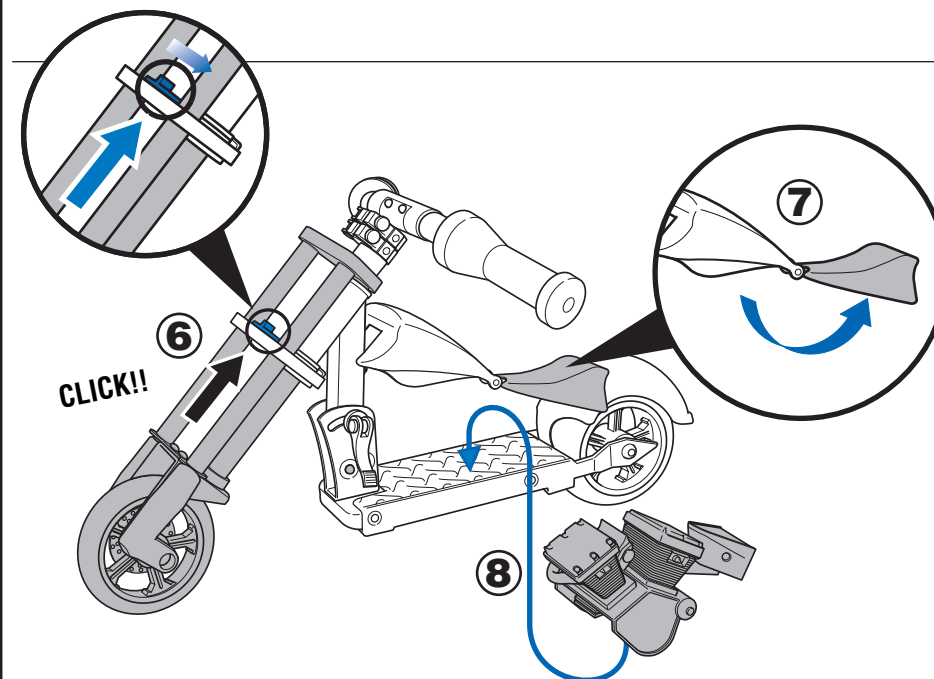
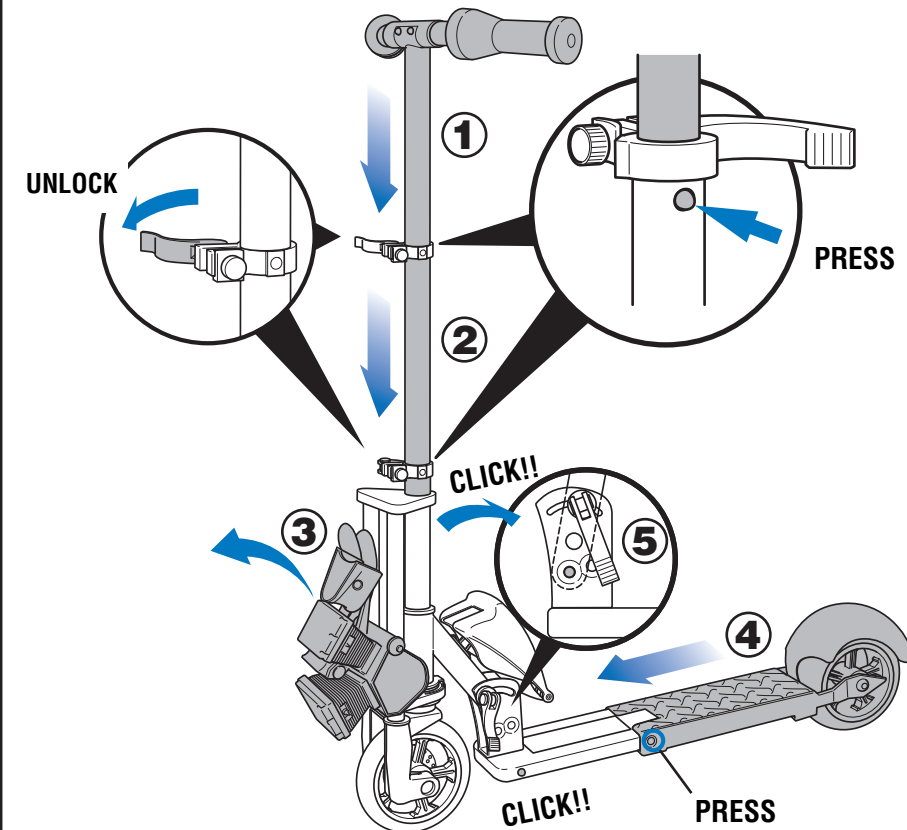
WARNING: When folding, first pull open quick-release clamp, then press and release button to fold. Do not put your fingers into any of the hinge joints when folding or unfolding the scooter. Check all clamping devices for tightness. Check foot brake prior to riding.

Mattel, Inc., 333 Continental Blvd., El Segundo, CA 90245 U.S.A. Consumer Relations 1 (800) 524-8697. • Mattel Canada Inc., Mississauga, Ontario L5R 3W2. You may call us free at 1 (800) 524-8697. • Mattel U.K. Ltd., Vanwall Business Park, Maidenhead SL6 4UB. Helpline 01628500303 • Mattel Australia Pty., Ltd., Richmond, Victoria, 3121. Consumer Advisory Service - 1300 135 312. • Mattel East Asia Ltd., Room 1106, South Tower, World Finance Centre, Harbour City, Tsimshatsui, HK, China. • Diimport & Diedarkan Oleh: Mattel SEA Ptd Ltd.(993532-P) Lot 13.5, 13th Floor, Menara Lien Hoe, Persiaran Tropicana Golf Country Resort, 47410 PJ. Tel:03-78803817, Fax:03-78803867.

SCOOTER

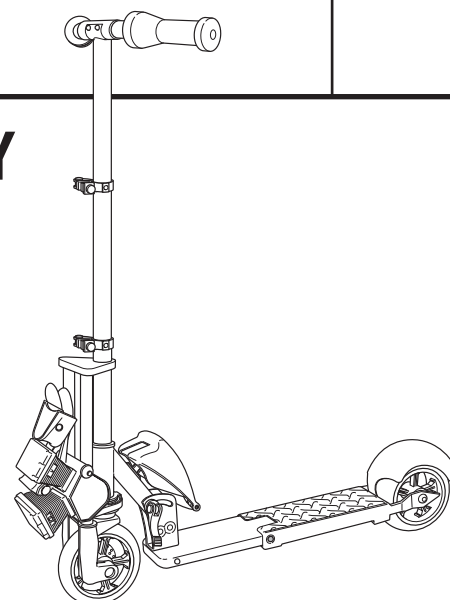


CHOPPER

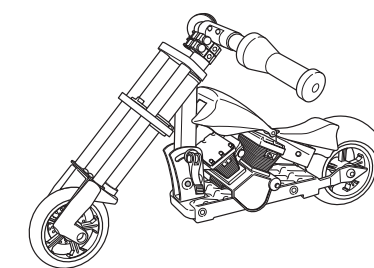


FINAL ASSEMBLY

SCOOTER



CHOPPER



INSTRUCTION SHEET SPECIFICATIONS

Toy: 2-IN-1 RIDE ON
 Toy No.: J2357
 Part No.: 0920
 Trim Size: 15.75" W x 11" H
 Folded Size: 5.5" W x 8.5" H
 Type of Fold: 3 PANEL
 # colors: 2
 Colors: Black + PMS300
 Paper Stock: White Offset
 Paper Weight: 70 lb.
 EDM No.: 005



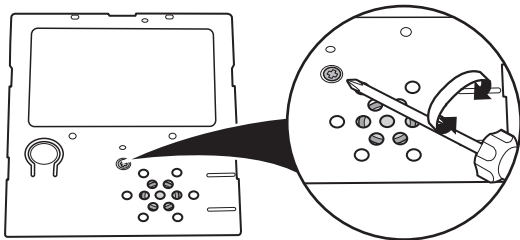
5+

J2357-F1

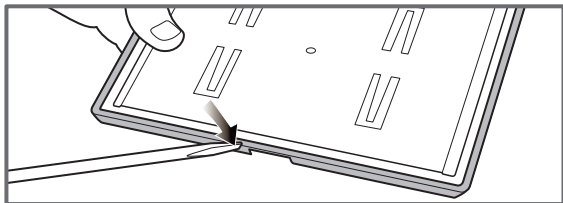


How to remove Talking Billboard button cell batteries for recycling.

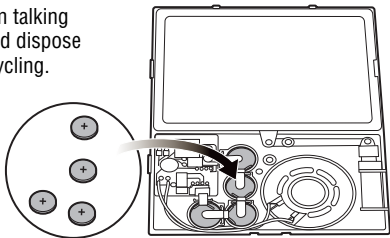
- 1** Remove battery cover with Phillips head screwdriver (not included).



- 2** Loosen all snaps and remove the cover.



- 3** Remove batteries from talking billboard as shown and dispose of them safely for recycling.



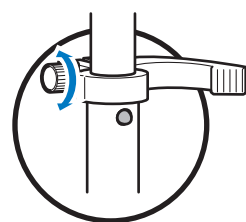
! WARNINGS:

- Adult supervision is required.
- Please use with caution, as this product requires skill to operate safely to avoid falls, collisions, and injuries to yourself and others.
- Protective equipment should be worn. Use helmet, wrist guards, kneepads and elbow pads.
- Always wear shoes.
- Not for children with a body weight of more than 50 kg (110 lb).
- Never allow more than 1 rider.
- Not recommended for children under 5 years of age.
- Learn to stop safely.
- Never ride at night.
- Use caution and common sense when riding.

ASSEMBLY ISSUES:

CAUTION: Pay close attention that all locking devices are engaged. Periodically check to ensure all wheel fasteners, folding mechanisms, and quick release clamps are secure and in good working order.

- Adults must assist children in the initial adjustment procedures to unfold and fold the scooter and adjust the handlebar and steering to height.
- Check and secure all fasteners before every ride.
- Adjust all nuts as shown to ensure tightness.



- Replace worn or broken parts immediately.
- Do not lubricate the main steering bushing assembly.
- Make no modifications other than what is included in the manufacturers instructions.

WHERE/WHEN TO RIDE:

- Check and obey local laws regarding use on public property.
- Obey all local traffic and scooter riding laws and regulations.

- Watch out for pedestrians.
- Ride on smooth paved surfaces away from motor vehicles.
- Avoid sharp bumps, drainage grates, and other sudden surface changes, as the scooter may suddenly stop.
- Avoid streets and surfaces with water, sand, gravel, dirt, leaves, and other debris. Wet weather impairs traction, braking and visibility.
- Avoid excess speed associated with downhill rides.
- To prevent injury, keep away from cars, streets, steep inclines, steps, swimming pools and other bodies of water.

GEAR UP:

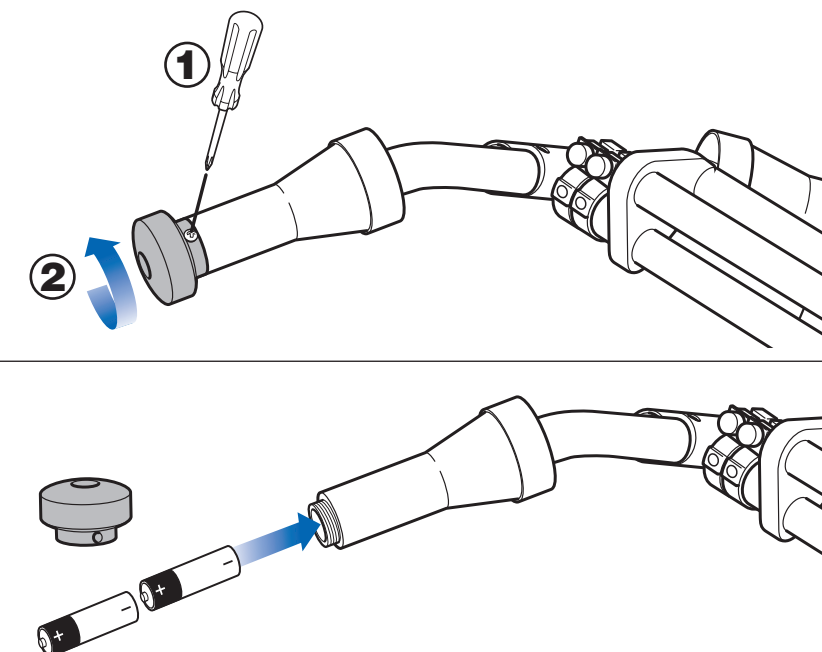
- Always wear shoes.
- Your child must always wear a bicycle helmet when using this product. Helmets reduce the energy of some impacts, minimizing or preventing head injuries. Make sure your child's helmet has a label stating/certifying conformance with the applicable certifying agency which includes the intended age requirement for use with a child.
- For maximum protection during an impact, the helmet must be properly secured to your child's head. The helmet must have a strap that goes under the chin with a buckle that stays securely fastened. The helmet should be worn level/low on the forehead, not tilted back. The chinstrap should be adjusted so there is no slack and it is firmly buckled (see helmet instructions). After securing the helmet to your child's head, test to be sure that the strap stays tight, the buckle remains secure and the helmet cannot be removed from your child's head by twisting or pulling the helmet. Remind your child to remove the helmet when playing on any kind of playground equipment or any place where the helmet may present a risk of strangulation.
- If the helmet is involved in a crash, replace it or have it examined by the manufacturer before reuse.

BRAKING:

- To slow down or stop, Apply pressure to foot brake gently at first, then apply more pressure until the scooter comes to a stop.
- Brake will get hot from continuous use. Do not touch after braking.

BATTERY INSTALLATION/REPLACEMENT

- Unscrew the top from the right handle. Insert 2 "AAA" (LR03) alkaline batteries into the handle in the orientation shown. For best performance, use only alkaline batteries.
- When the handle no longer makes sounds, replace the batteries.

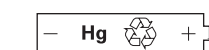


Battery Safety Information

In exceptional circumstances batteries may leak fluids that can cause a chemical burn injury or ruin your toy (product). To avoid battery leakage:

- Non-rechargeable batteries are not to be recharged.
- Rechargeable batteries are to be removed from the product before being charged (if designed to be removable).
- Rechargeable batteries are only to be charged under adult supervision (if designed to be removable).
- Do not mix alkaline, standard (carbon-zinc), or rechargeable (nickel-cadmium) batteries.
- Do not mix old and new batteries.
- Only batteries of the same or equivalent type as recommended are to be used.
- Batteries are to be inserted with the correct polarity.
- Exhausted batteries are to be removed from the product.
- The supply terminals are not to be short-circuited.
- Dispose of battery(ies) safely.
- Do not dispose of this product in a fire. The batteries inside may explode or leak.

FOR TALKING BILLBOARD BUTTON CELL BATTERIES:



RECYCLE INFORMATION (USA ONLY)

Please recycle button cell batteries contained in this product by:

- Visiting your nearest recycling center. For location of the nearest recycling center visit us online at www.service.mattel.com.
- If a recycling center is not available in your area, contact us for a pre-paid mailing label. Visit us online at www.service.mattel.com or call toll-free at 1-800-524-TOYS.

Valid in the US only. • Solo válido en los EE.UU. • Valable aux États-Unis seulement.

INSTRUCTION SHEET SPECIFICATIONS

Toy:	2-IN-1 RIDE ON
Toy No.:	J2357
Part No.:	0920
Trim Size:	15.75" W x 11" H
Folded Size:	5.5" W x 8.5" H
Type of Fold:	3 PANEL
# colors:	2
Colors:	Black + PMS300
Paper Stock:	White Offset
Paper Weight:	70 lb.
EDM No.:	005