

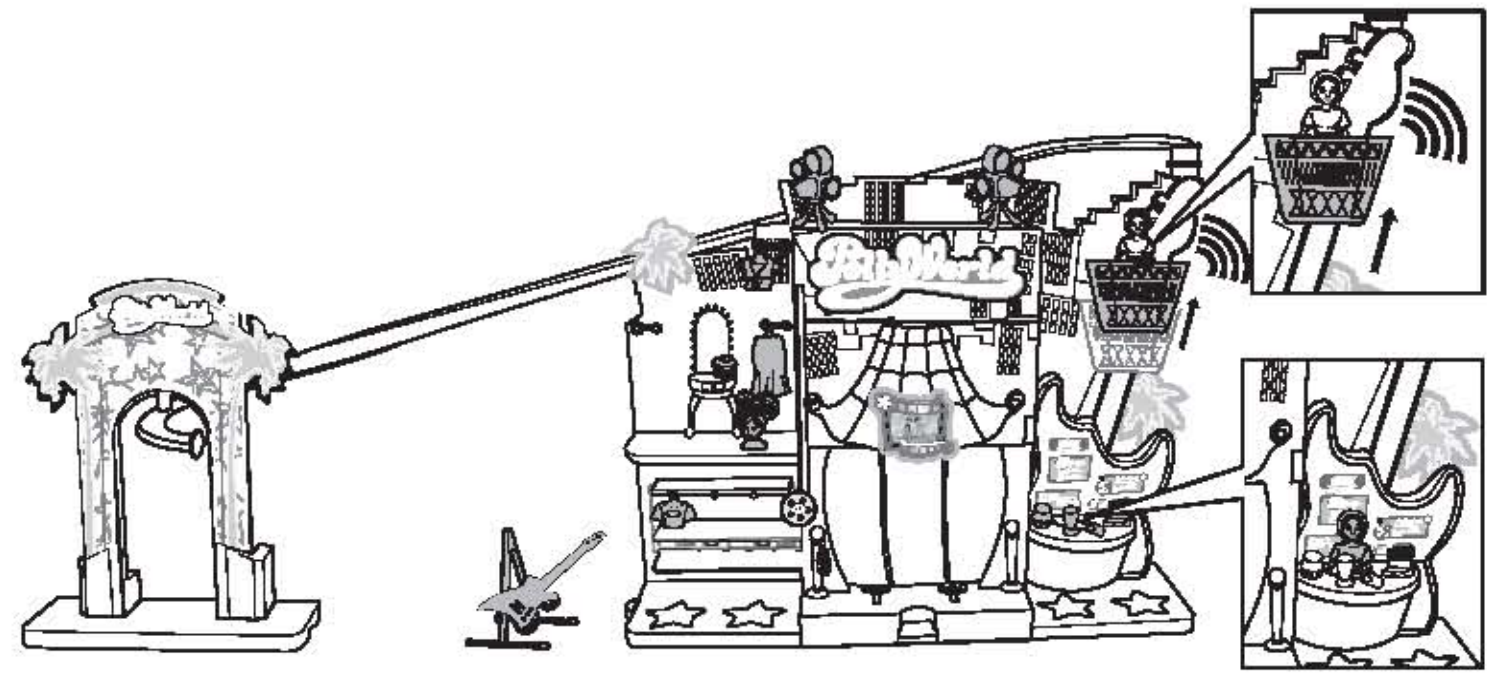
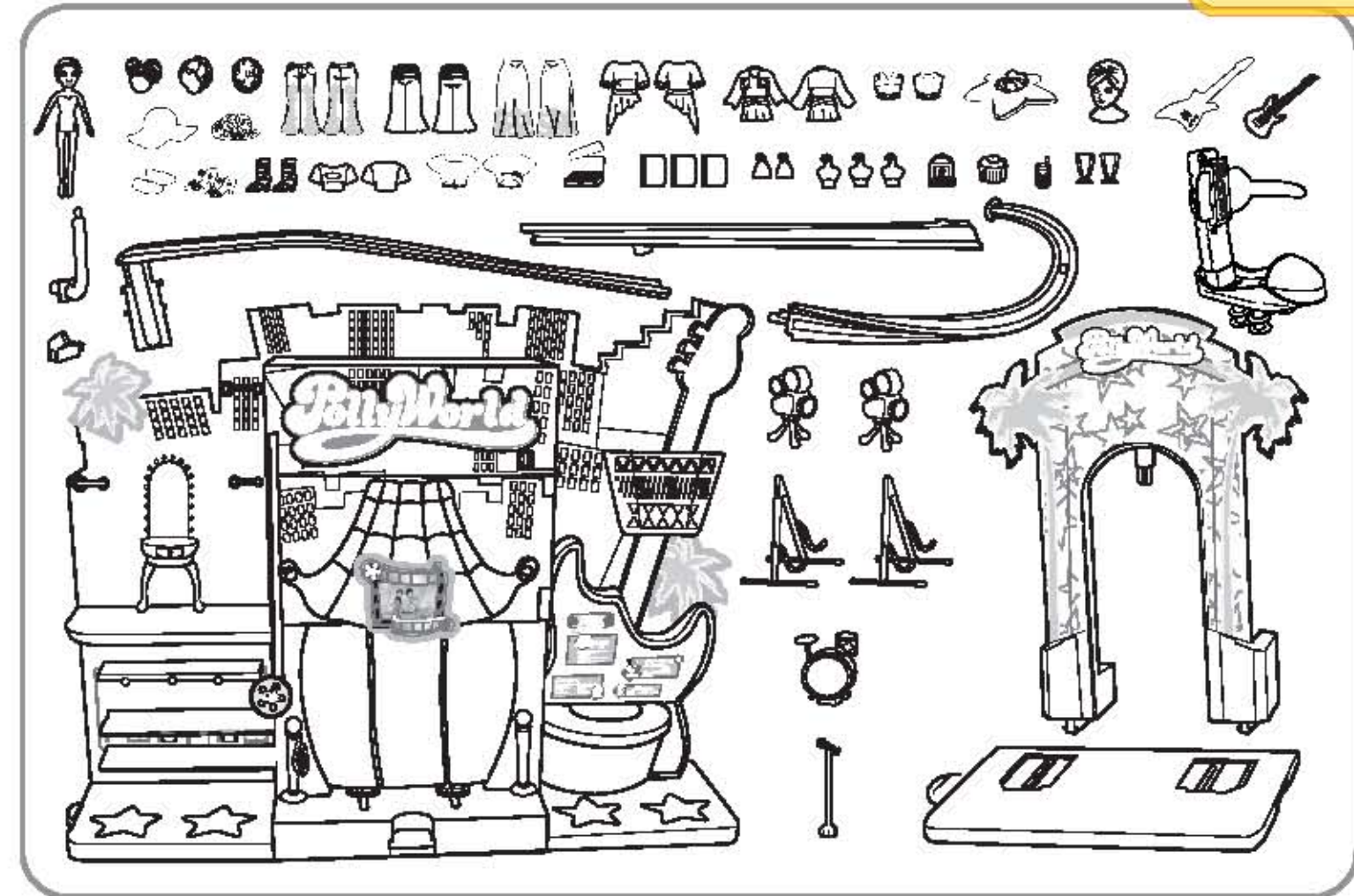


INSTRUCTIONS



The FCC Flyer is re-
placed inside the pack-
age.
00007-18

CONTENTS

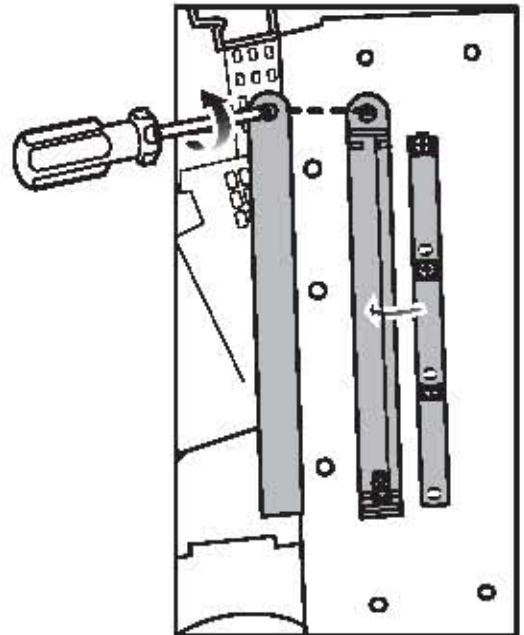


Battery Replacement

Replace batteries when sound becomes distorted or lights become dim. For longer life use only alkaline batteries. Toy requires 3 replaceable AAA/LR03 alkaline batteries. To replace batteries, use a Phillips head screwdriver (not included) to open battery door. Insert 3 AAA/LR03 alkaline batteries as shown. Use either AAA/LR03 alkaline batteries or equivalent. Replace battery cover and screw closed.

Battery Safety Information

- In exceptional circumstances batteries may leak fluids that can cause a chemical burn injury or ruin your product. To avoid battery leakage:
- Non-rechargeable batteries are not to be recharged.
- Rechargeable batteries are to be removed from the product before being charged (if designed to be removable).
- Rechargeable batteries are only to be charged under adult supervision (if designed to be removable).
- Do not mix alkaline, standard (carbon-zinc), or rechargeable (nickel-cadmium) batteries.
- Do not mix old and new batteries.
- Only batteries of the same or equivalent type as recommended are to be used.
- Batteries are to be inserted with the correct polarity.
- Exhausted batteries are to be removed from the product.
- The supply terminals are not to be short-circuited.
- Dispose of battery(ies) safely.
- Do not dispose of this product in a fire. The batteries inside may explode or leak.



Protect the environment by not disposing of this product with household waste (2002/96/EC). Check your local authority for recycling advice and facilities.

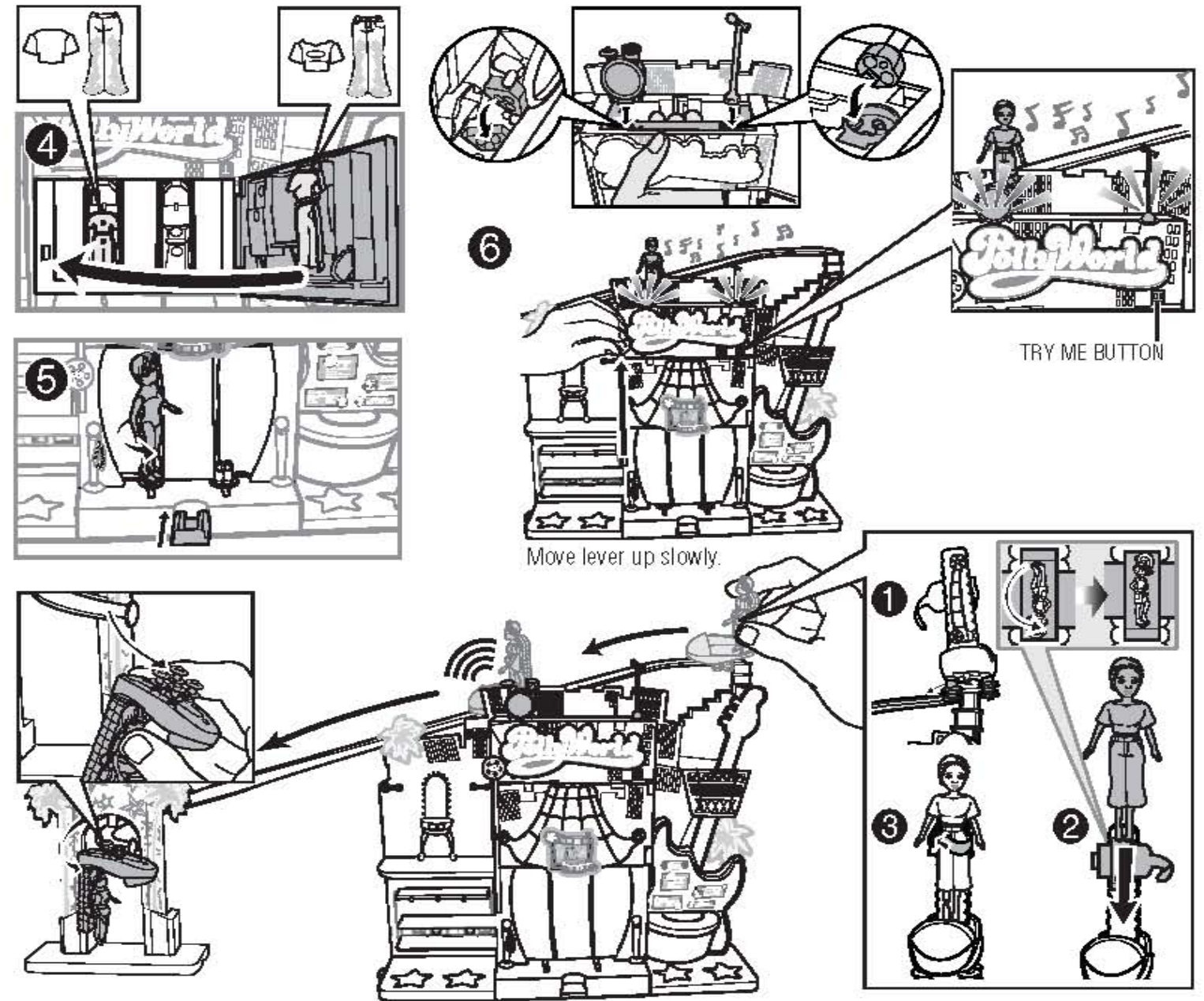
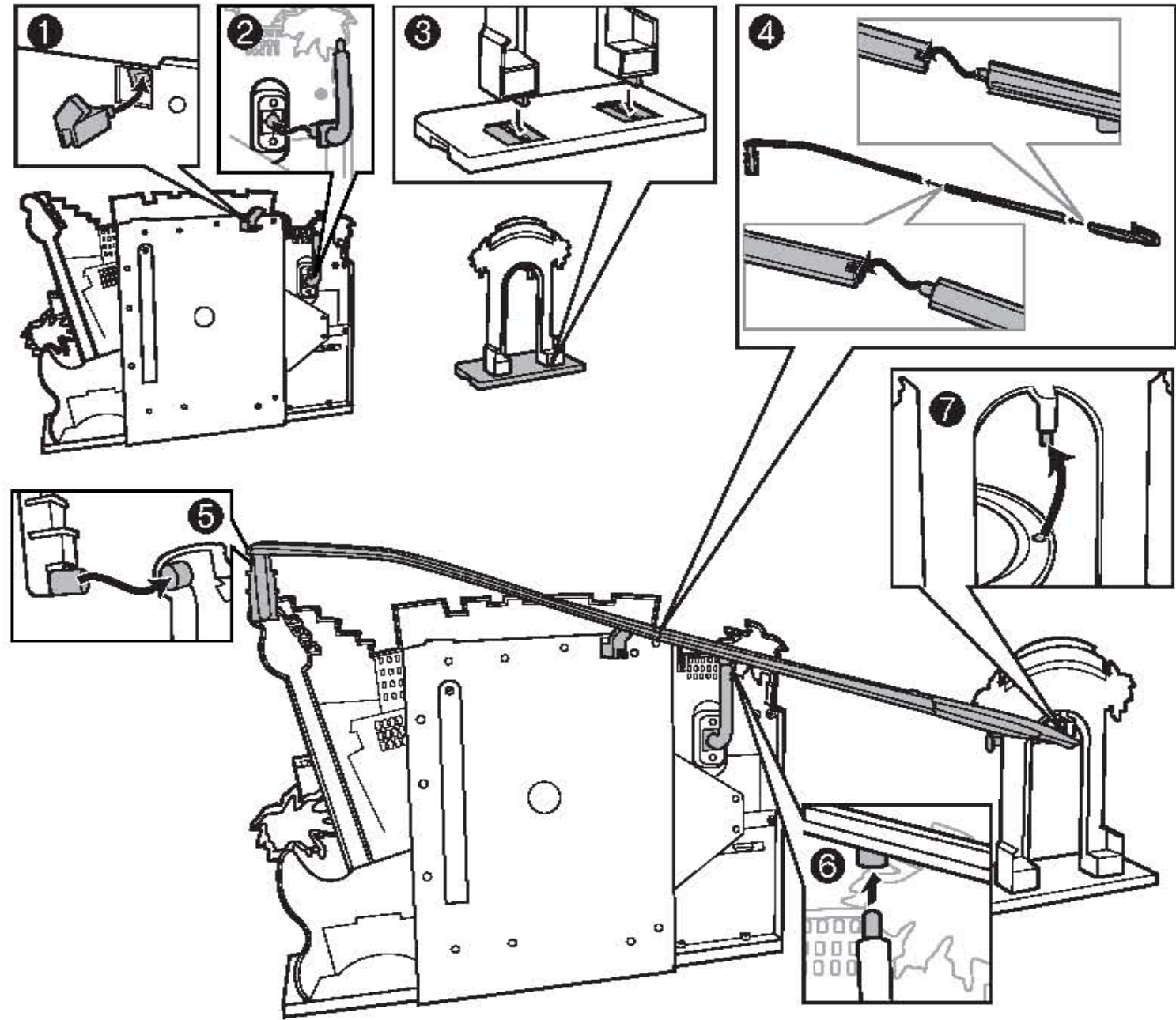
Each sold separately, and subject to availability.



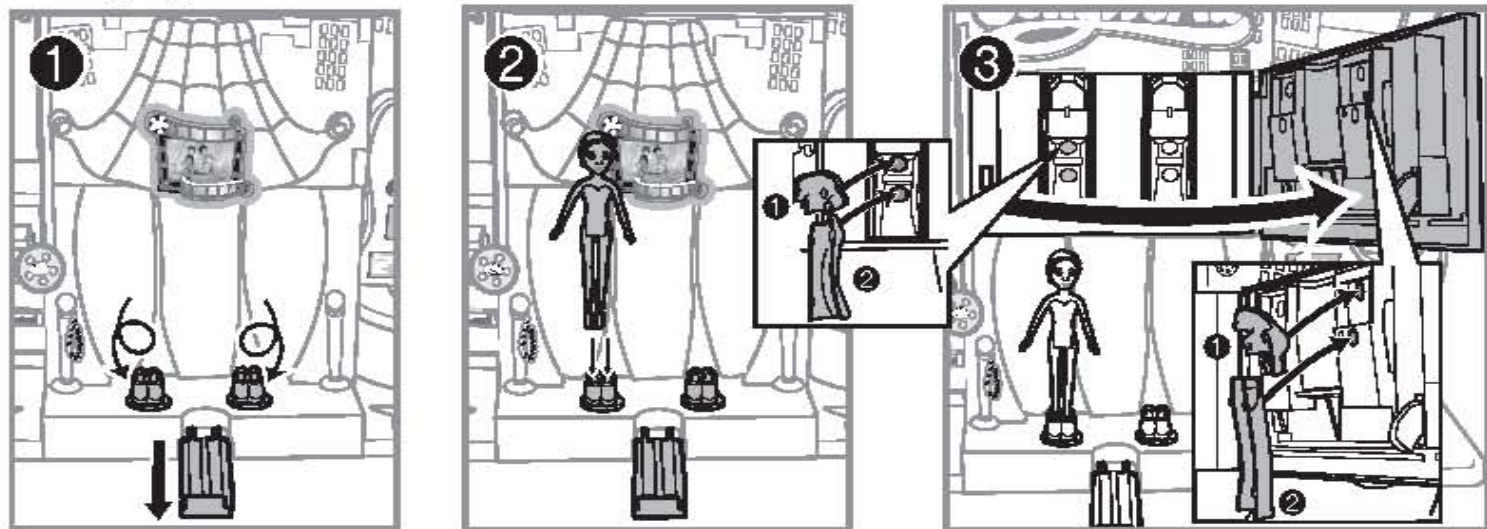
Colours and decorations may vary from those shown.
 Please remove everything from the package and compare to the contents shown here.
 If any items are missing, please contact your local Mattel office.
 Keep these instructions for future reference as they contain important information.
 Batteries included are for demonstration purposes only. Replace with 3 AAA (LR03) alkaline batteries. For longer life use only alkaline batteries. Toy requires 3 AAA (LR03) replaceable alkaline batteries. Replace batteries when sound becomes low or lights dim.
 This product contains magnets. Do not use around items that are sensitive to or affected by magnetic fields.

CONSUMER INFORMATION Need Assistance? Visit service.mattel.com or call 1-800-524-8697 (US and Canada only) M-F 9AM - 7PM & SAT 11AM - 5PM, Eastern. SERVICE.MATTEL.COM	Mattel Canada Inc., Mississauga, Ontario L5R 3W2. You may call us free at 1-800-524-8697. Mattel U.K. Ltd., Vanwall Business Park, Maidenhead SL6 4UB. Helpline 01628500303 Mattel Australia Pty. Ltd., Richmond, Victoria 3121 Consumer Advisory Service - 1300 135 312. Mattel East Asia Ltd., Room 1106, South Tower, World Finance Centre, Harbour City, Tsimshatsui, HK, China. Diimport & Diedistribukan Oleh: Mattel SEA Ptd Ltd.(993532-P) Lot 13.5, 13th Floor, Menara Lien Hoe, Persiaran Tropicana Golf Country Resort, 474 10 RI. Tel:03-78803817, Fax:03-78803867. Mattel, Inc., 333 Continental Blvd., El Segundo, CA 90245 U.S.A. Consumer Affairs 1 (800) 524-8697.	
---	--	--

ASSEMBLY



Polly gets a new fashion



OR add guitar and new hair style

