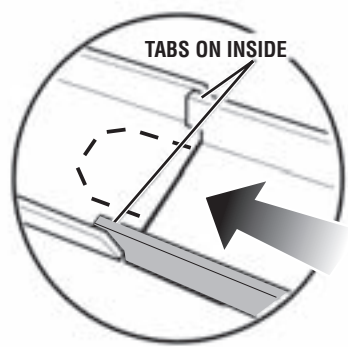


**Helpful Tip:**  
This layout works best with heavier or multiple cars if you want to make the jump.

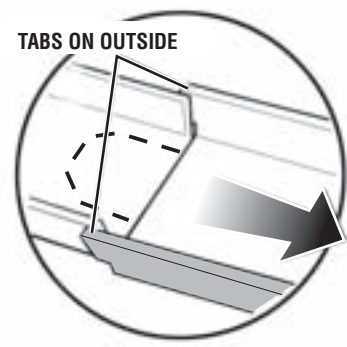
**2 MORE WAYS TO PLAY!**

**TROUBLESHOOTING TIPS:**



CAR DIRECTION

To ensure car travels smoothly through track sections, adjust tabs as shown. This prevents car from hitting track edges.



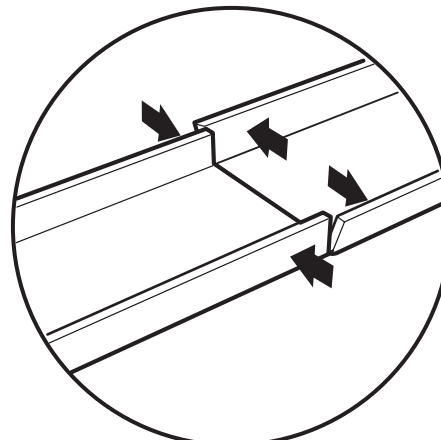
CAR DIRECTION

**Battery Safety Information**  
In exceptional circumstances batteries may leak fluids that can cause a chemical burn injury or ruin your product. To avoid battery leakage:

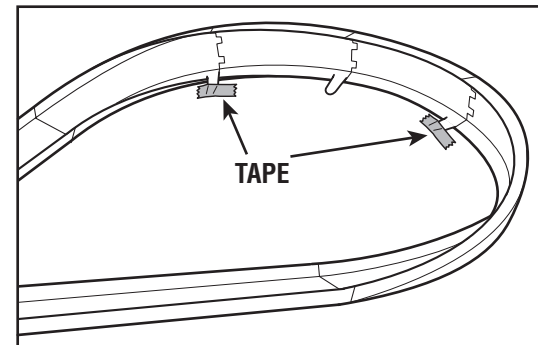
- Non-rechargeable batteries are not to be recharged.
- Rechargeable batteries are to be removed from the product before being charged (if designed to be removable).
- Rechargeable batteries are only to be charged under adult supervision (if designed to be removable).
- Do not mix alkaline, standard (carbon-zinc), or rechargeable (nickel-cadmium) batteries.
- Do not mix old and new batteries.
- Only batteries of the same or equivalent type as recommended are to be used.
- Batteries are to be inserted with the correct polarity.
- Exhausted batteries are to be removed from the product.
- The supply terminals are not to be short-circuited.
- Dispose of battery(ies) safely.
- Do not dispose of this product in a fire. The batteries inside may explode or leak.

**OPERATING TIPS**

Adjust track side walls at each connection point as shown.



**TO STABILIZE SET:** On carpet, use books. On smooth floor, tape base to surface.



© 2006 Mattel, Inc. 333 Continental Blvd., El Segundo, CA 90245 U.S.A. All Rights Reserved. Consumer Relations 1-800-524-8977, service.mattel.com Mattel U.K. Ltd., Vauxhall Business Park, Maidenhead SL6 4UB, Highbury 01628393039 Mattel Australia Pty Ltd., Richmond, Victoria, 3121, Consumer Advisory Service +1300 135 312, Mattel East Asia Ltd., Room 1106, South Tower, World Finance Centre, Harbour City, Tsimshatsui, HK, China, Dimpont & Diederik Osh, Mattel SEA Ptd Ltd (993532-P) Lot 13.5, Menara Lien Hoe, Persiaran Tropicana Golf Country Resort, 47410 PJ, Tel:03-78803817, Fax:03-78803867.



J6546-0920G1

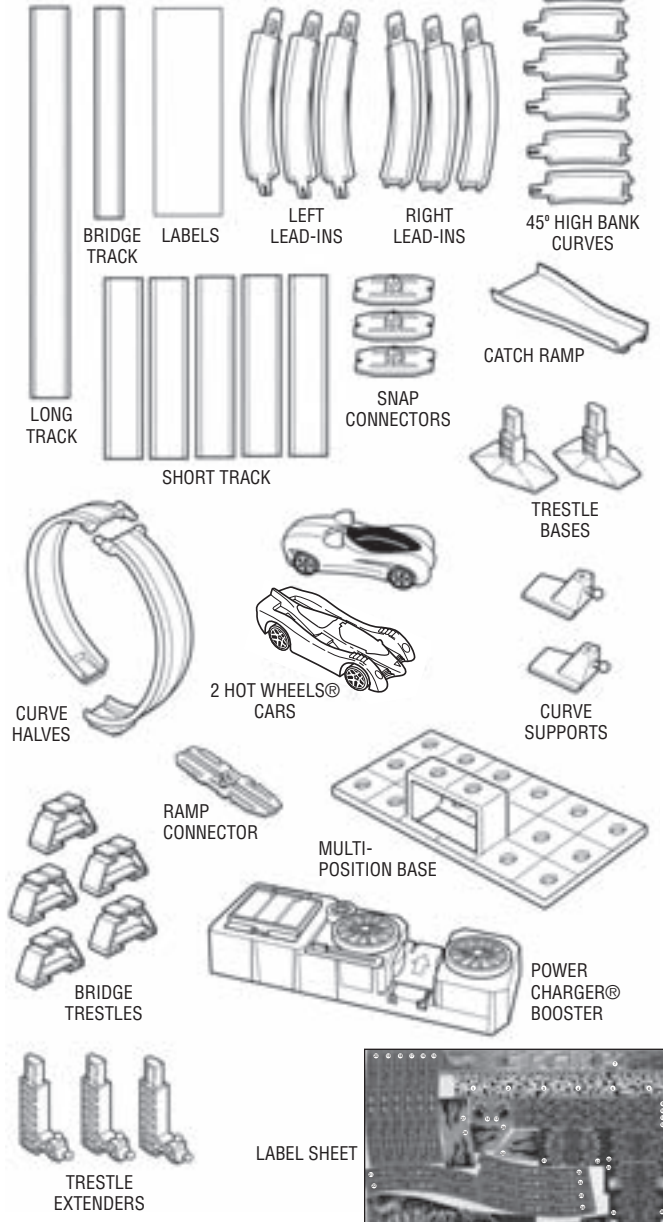
**INSTRUCTIONS**

**5+**

Please keep these instructions for future reference as they contain important information.



**CONTENTS**



Requires 2 "D" alkaline batteries (not included).

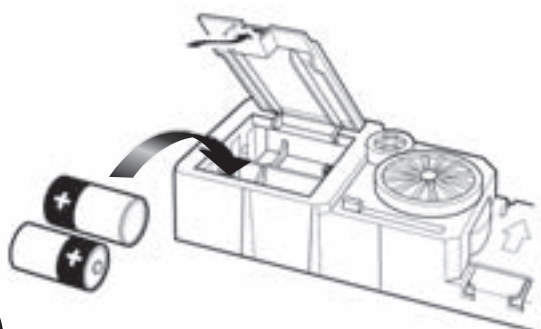
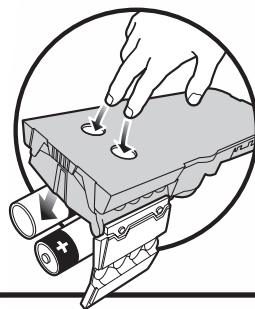
**INSTRUCTION SHEET SPECIFICATIONS**

Toy:	PHX WILDCAT STARTER SET
Toy No.:	J6546
Part No.:	0920G1
Trim Size:	16.8" W x 9.5" H
Folded Size:	4.2" W x 9.5" H
Type of Fold:	4 PANEL
# colors:	1
Colors:	Black
Paper Stock:	White Offset
Paper Weight:	70 lb.
EDM No.:	005

**1**

**INSTALL BATTERIES:**  
Press in tab on battery door and pull upward to open front of compartment. Insert two "D" size alkaline batteries (not included) as shown. Close cover. For longer life use only alkaline batteries.

Push fingers through holes on bottom to remove batteries.

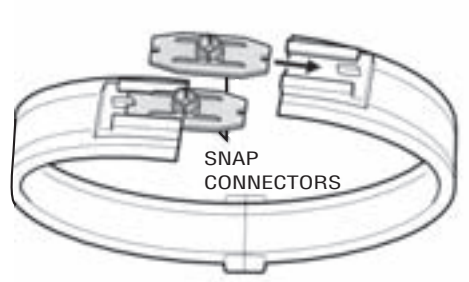


Protect the environment by not disposing of this product with household waste (2002/96/EC). Check your local authority for recycling advice and facilities.

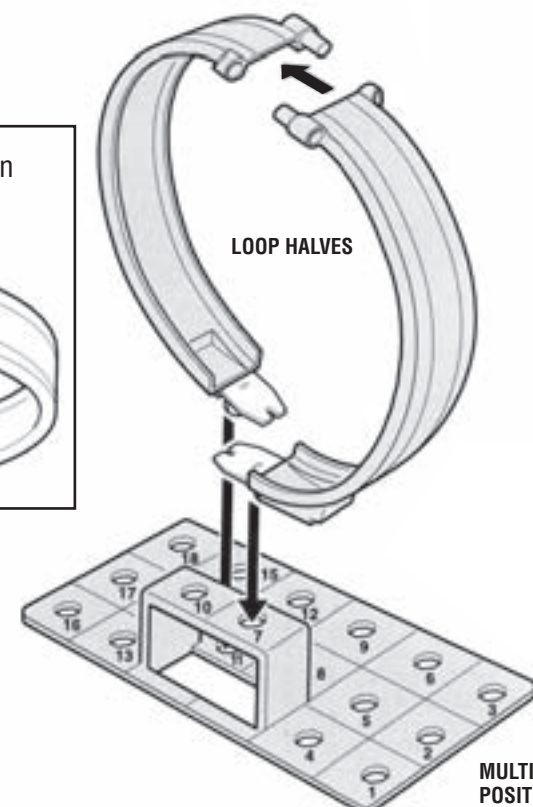
**2**

**SET UP LOOP AND BASE:**  
Snap together top part of loop halves as shown.

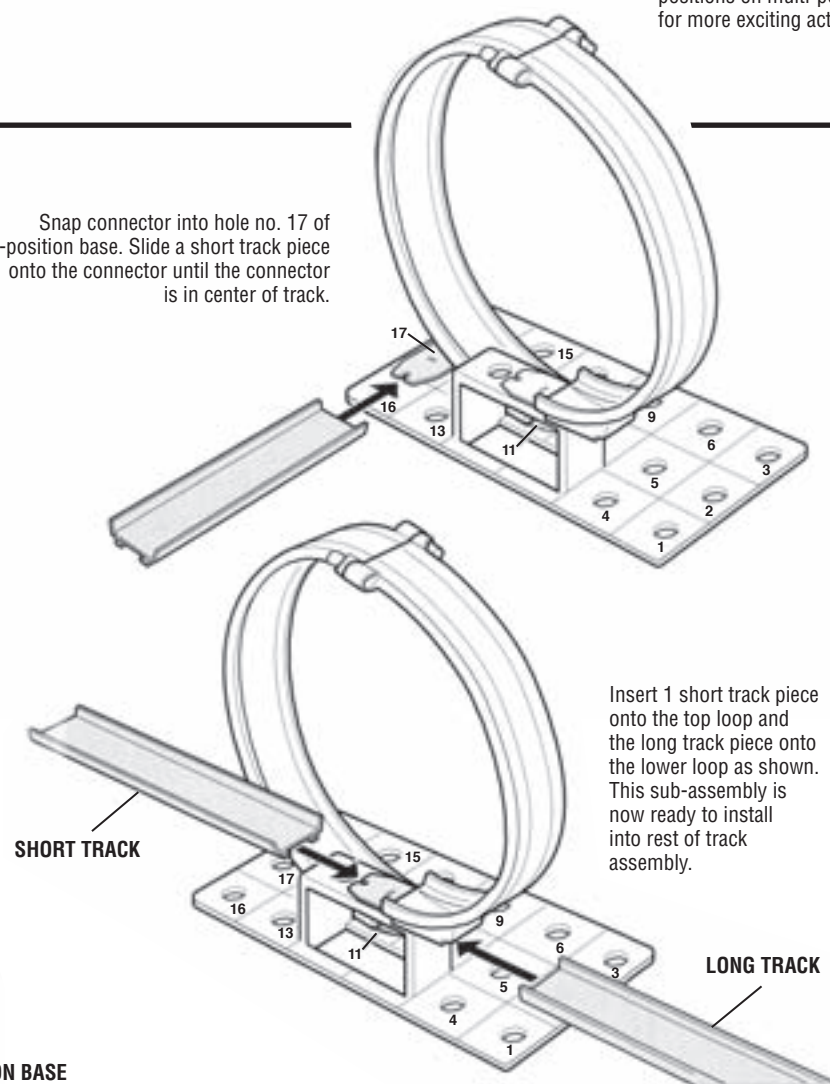
Then insert snap connectors in bottom slots as shown.



Next, snap these connectors into holes no. 7 and no. 11 as shown.

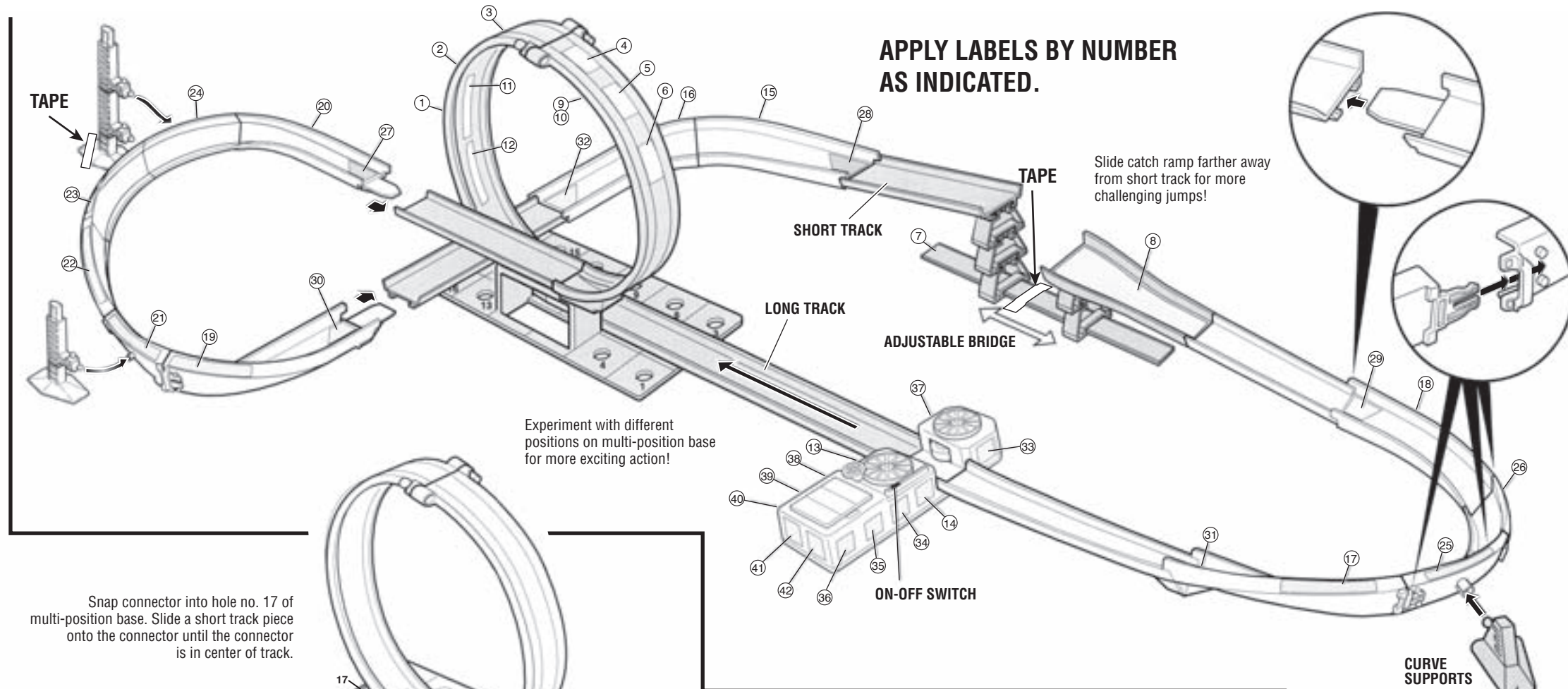


Snap connector into hole no. 17 of multi-position base. Slide a short track piece onto the connector until the connector is in center of track.



Insert 1 short track piece onto the top loop and the long track piece onto the lower loop as shown. This sub-assembly is now ready to install into rest of track assembly.

**APPLY LABELS BY NUMBER AS INDICATED.**



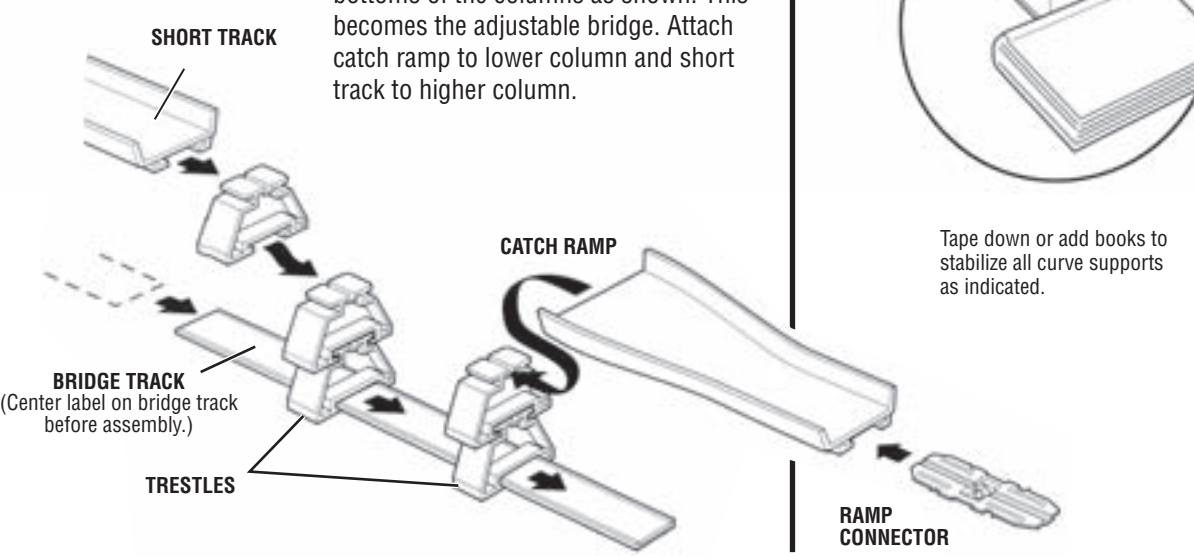
Slide catch ramp farther away from short track for more challenging jumps!

Experiment with different positions on multi-position base for more exciting action!

**3**

**BUILD ADJUSTABLE BRIDGE**

Snap trestle parts together to make one 2-level and one 3-level column. Insert the bridge track through the bottoms of the columns as shown. This becomes the adjustable bridge. Attach catch ramp to lower column and short track to higher column.



Tape down or add books to stabilize all curve supports as indicated.