

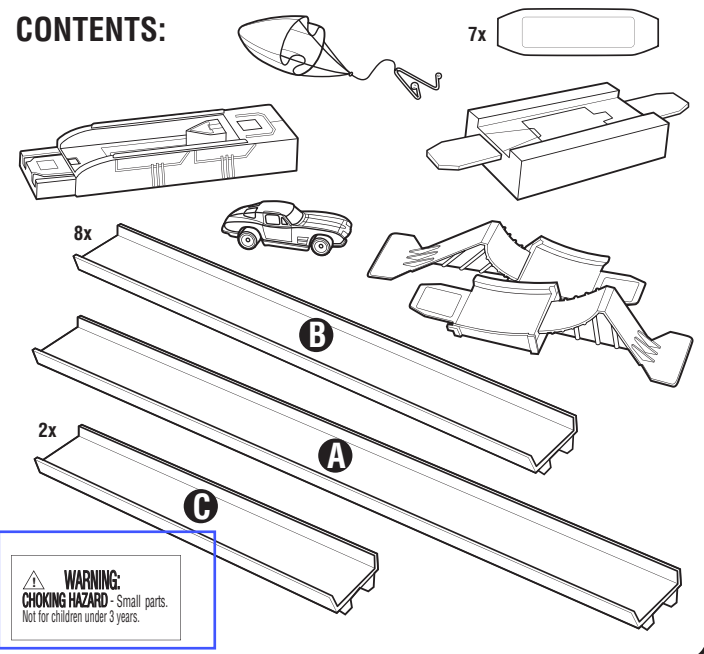


INSTRUCTIONS

4+

Please keep these instructions for future reference as they contain important information.

CONTENTS:

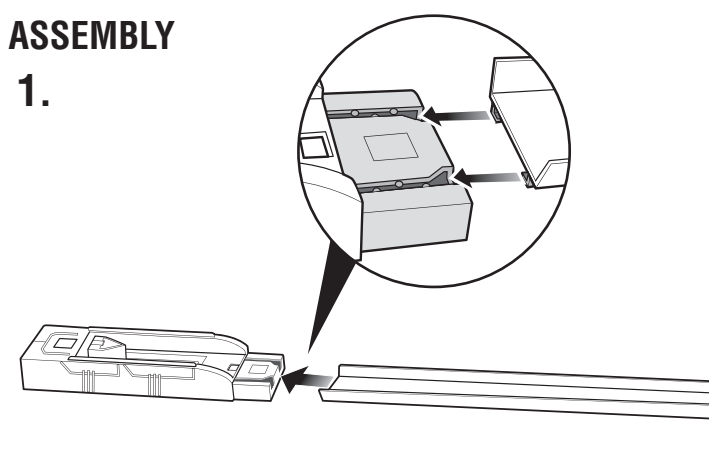


WARNING:
CHOKING HAZARD - Small parts.
Not for children under 3 years.

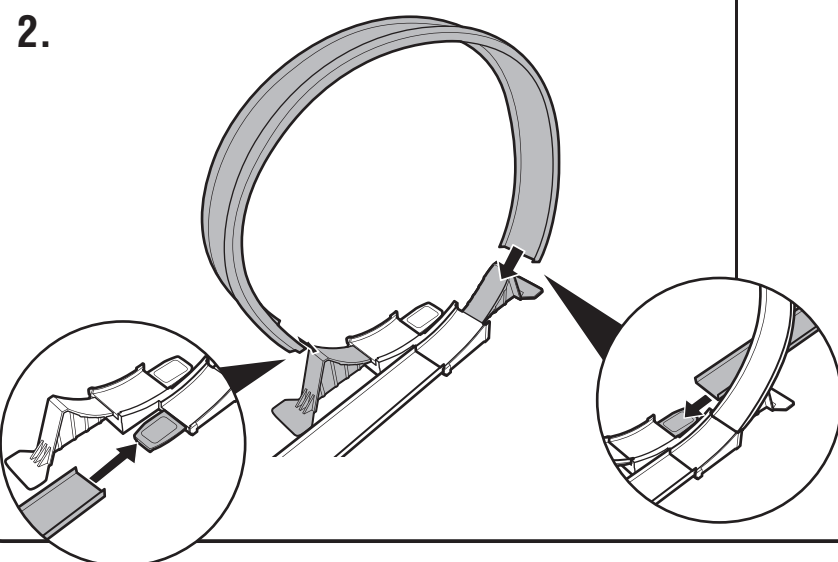
© 2006 Mattel, Inc. 333 Continental Blvd., El Segundo, CA 90245 U.S.A. All Rights Reserved. Consumer Relations 1-800-524-8697. service.mattel.com Mattel U.K. Ltd., Vanwall Business Park, Maidenhead SL6 4UB, Helpline 01628500303 Mattel Australia Pty Ltd., Richmond, Victoria, 3121. Consumer Advisory Service - 1300 135 312. Mattel East Asia Ltd., Room 1106, South Tower, World Finance Centre, Harbour City, Tsimshatsui, HK, China. Distributor & Diederik: Mattel SEA Pte Ltd. (993332-P) Lot 13.5, Menara Lien Hoe, Persiaran Tropicana Golf Country Resort, 47410 P.J. Tel:03-78803817, Fax:03-78803867.

ASSEMBLY

1.

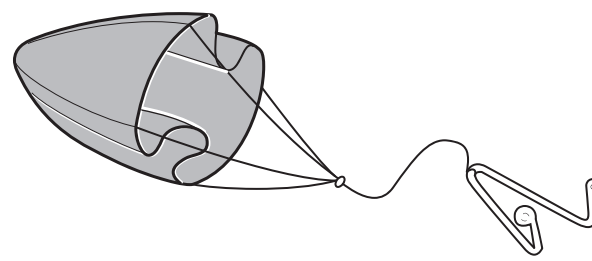


2.

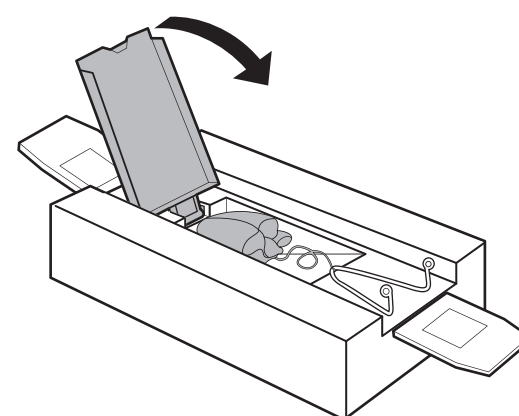


3.

Open chute and straighten string.

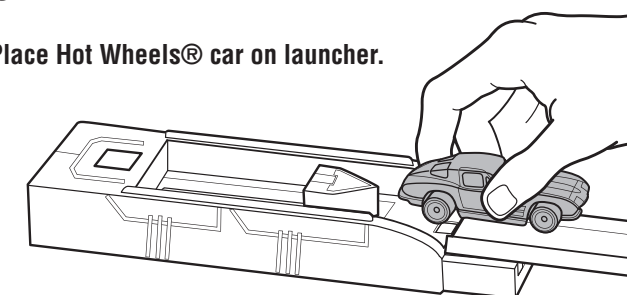


Open trap and put chute and string with "V" turned up in trap as shown. Close trap door.

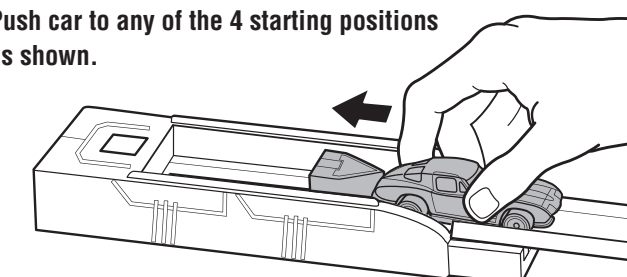


TO START

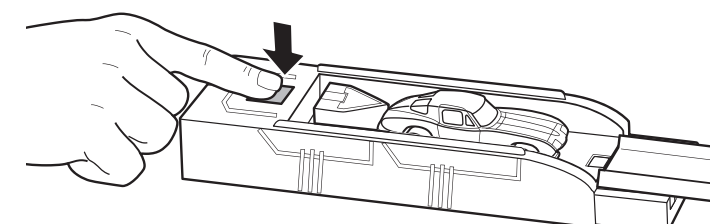
1. Place Hot Wheels® car on launcher.



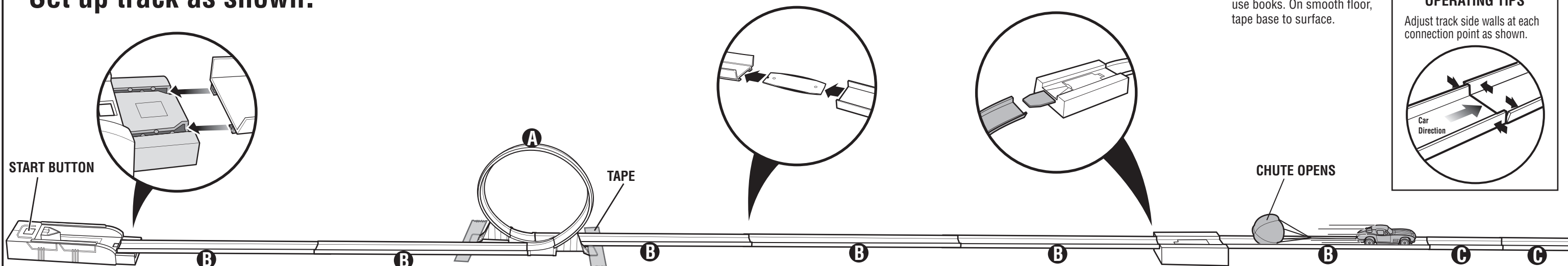
2. Push car to any of the 4 starting positions as shown.



3. Press start button.

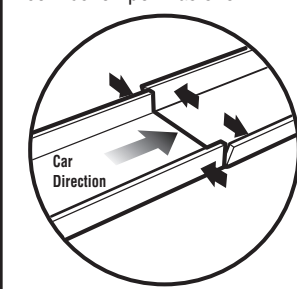


Set up track as shown.



TO STABILIZE SET: On carpet, use books. On smooth floor, tape base to surface.

OPERATING TIPS
Adjust track side walls at each connection point as shown.



HOW TO REPLACE RUBBER BAND

