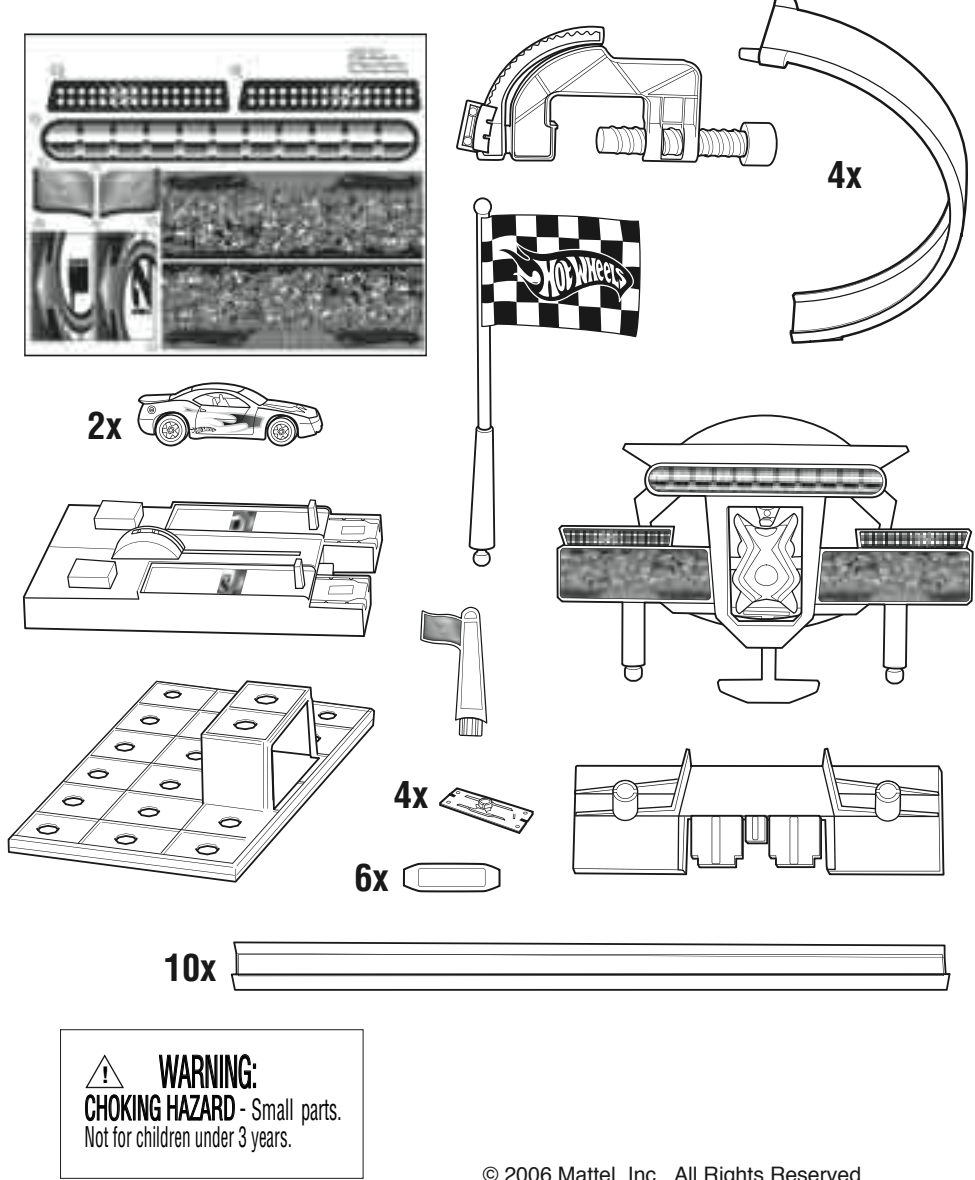




INSTRUCTIONS

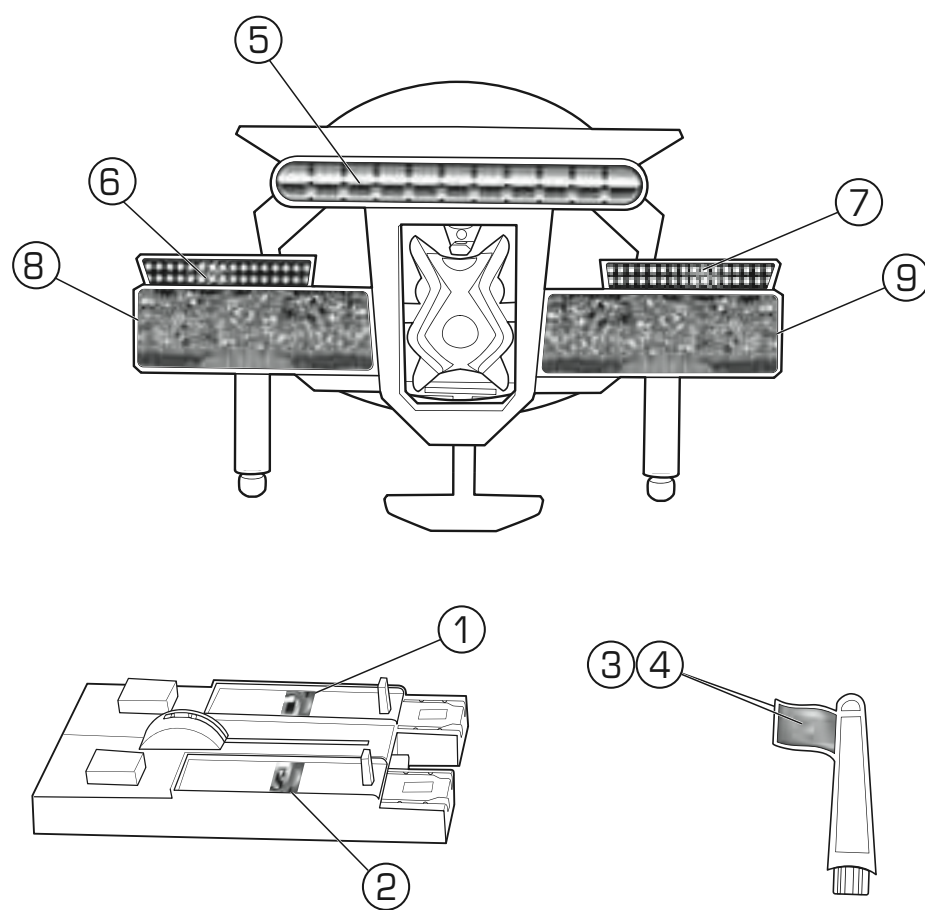
Please keep these instructions for future reference as they contain important information.

CONTENTS



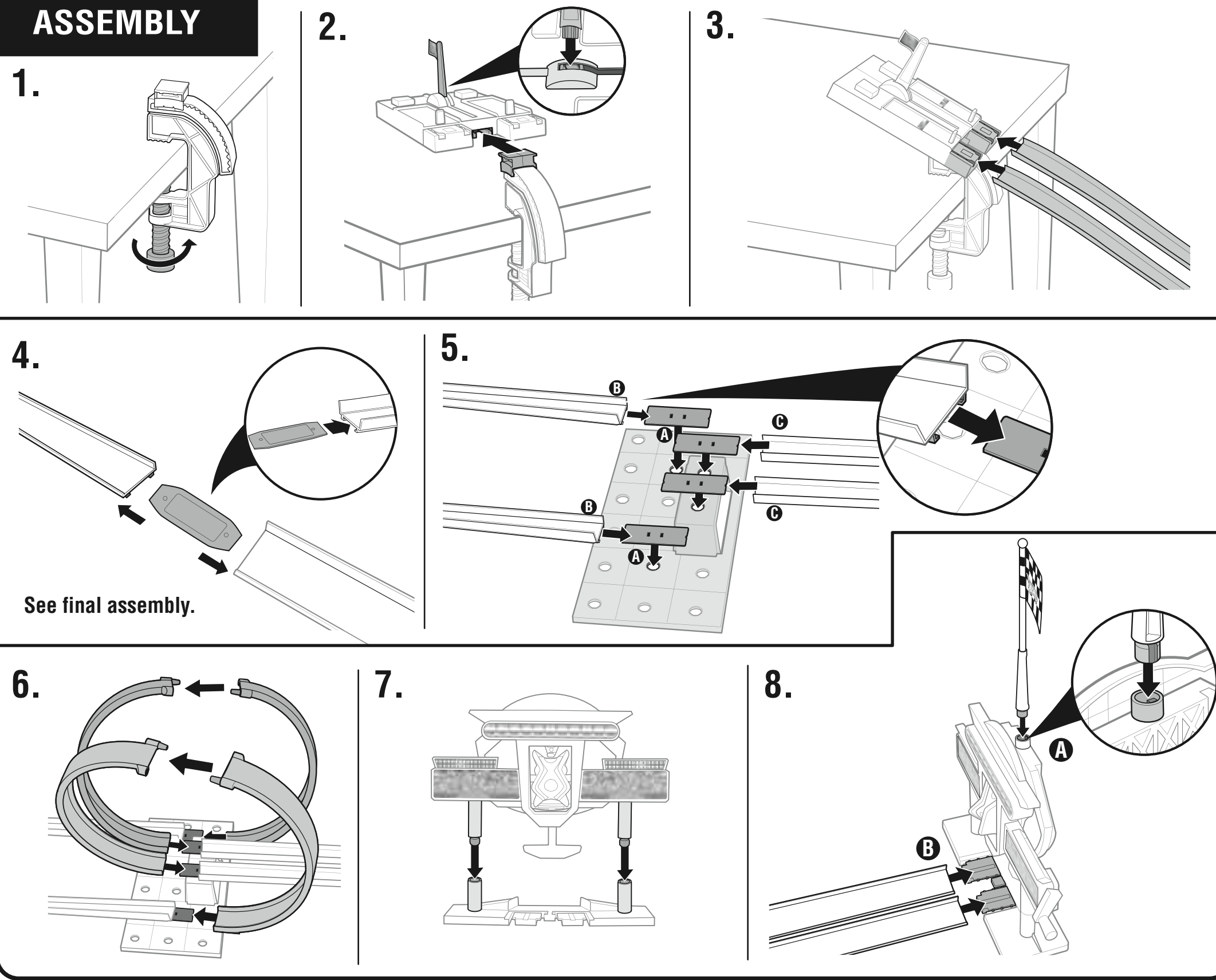
APPLY LABELS AS SHOWN.

HELPFUL HINT: APPLY LABELS BEFORE ASSEMBLY.



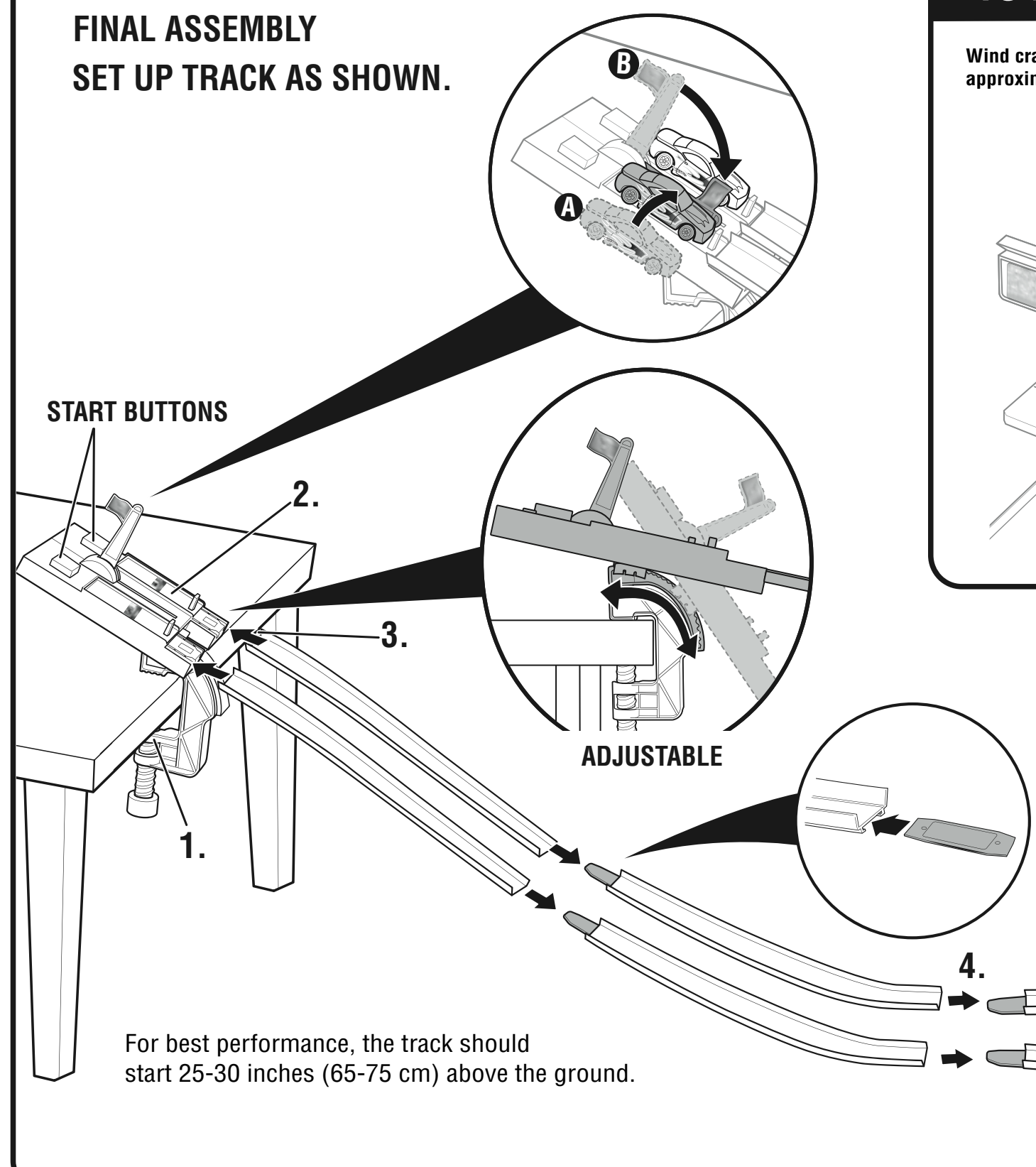
Mattel, Inc., 333 Continental Blvd., El Segundo, CA 90245 U.S.A.
 Consumer Relations 1-800-524-8697 service.mattel.com.
 Mattel U.K. Ltd., Vanwall Business Park, Maidenhead SL6 4UB, Helpline 01628500303.
 Mattel Australia Pty. Ltd., Richmond, Victoria, 3121 Consumer Advisory Service - 1300 135 312.
 Mattel East Asia Ltd., Room 1106, South Tower, World Finance Centre, Harbour City, Tsimshatsui, HK, China.
 Diimport & Diedarkan Oleh: Mattel SEA Ptd Ltd. (993532-P) Lot 13.5, 13th Floor, Menara Lien Hoe, Persiaran
 Tropicana Golf Country Resort, 47410 PJ. Tel:03-78803817, Fax:03-78803867.

ASSEMBLY

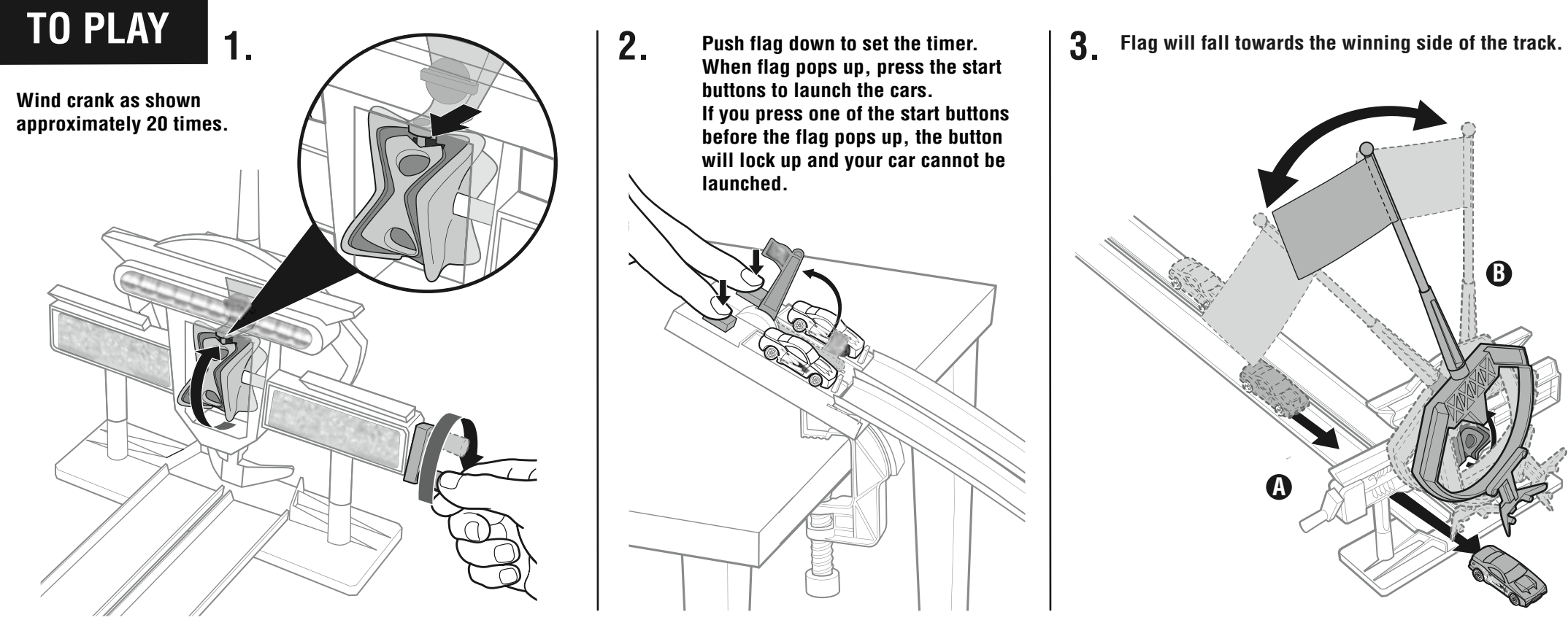


FINAL ASSEMBLY

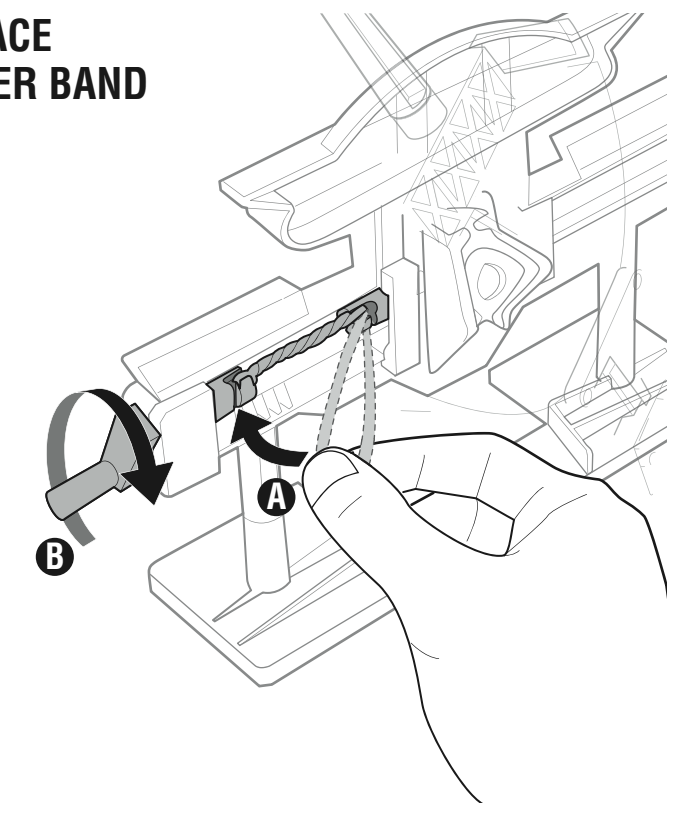
SET UP TRACK AS SHOWN.



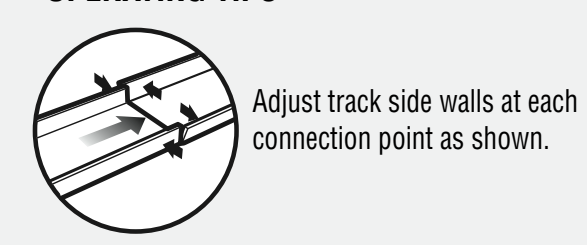
TO PLAY



REPLACE RUBBER BAND



OPERATING TIPS



TO STABILIZE SET: On carpet, use books. On smooth floor, tape base to surface.