



Asst. K7226
K7227/28/29/30
K8875/76/77/78-0920G1
M2573/74/75/76/N2213-0920

Hot Wheels® R/C SUPPORT

Questions or problems with your product?
DON'T RETURN IT TO THE STORE!
Just call us for help.

U.S. consumers may also register their products at this number.

1-888-557-8926

G.O.V.R./C

Keep these instructions for future reference: they contain important information. **IMPORTANT:** Please read all "Consumer Information" before operating your vehicle.

CAUTION: Surfaces may become hot and cause burns if electronics get wet. Do not operate vehicle through water or snow.

I. CONTENTS/FEATURES

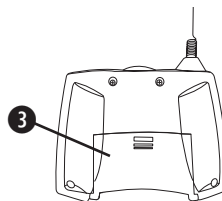
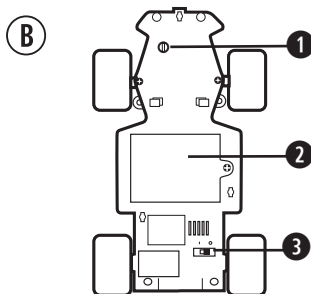
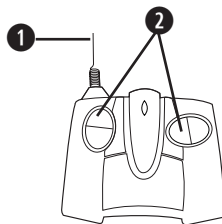
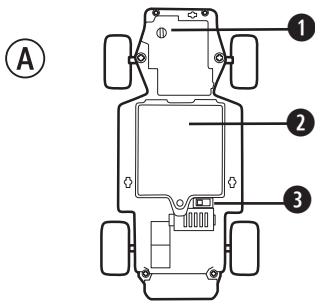
- Vehicle
- Transmitter

Vehicle

- 1 Steering adjuster
- 2 Battery door
- 3 ON/OFF switch

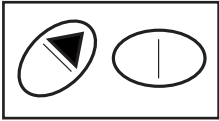
Transmitter

- 1 Antenna
- 2 Driving controls
- 3 Battery door

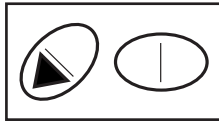


II. VEHICLE OPERATION

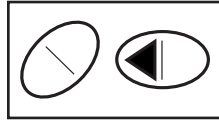
FORWARD



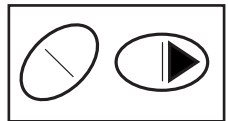
REVERSE



LEFT



RIGHT



III. BATTERY INSTALLATION

Requires 4 AA alkaline batteries for the vehicle and 2 AA alkaline batteries for the transmitter. Batteries not included.

Vehicle

1. Use a screwdriver (not included) to unscrew the battery door, remove the battery door.
2. Install 4 AA batteries (not included), with polarity (+/-) as shown inside the battery compartment.
3. Replace the battery door.

Transmitter

1. Open the battery door as shown.
2. Install 2 AA alkaline batteries with polarity (+/-) as shown inside the battery compartment.
3. Close the battery door.

💡 Your transmitter is equipped with a special automatic ON battery-saving feature. Just turn your vehicle ON. Then push either transmitter control to run and control your vehicle.

CONSUMER INFORMATION

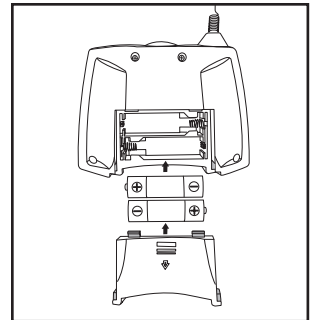
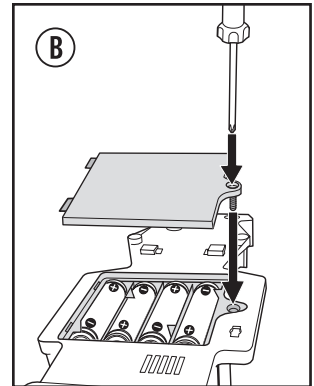
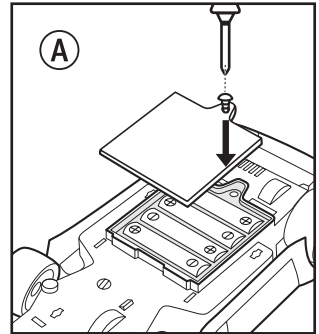
Note to Adults: To ensure that the child's play is both safe and fun, please review all operating instructions and safety rules with your child.

SAFETY TIPS

- NEVER drive your vehicle on streets! They're for real cars!
- DO NOT pick up the vehicle while in motion.
- Keep fingers, hair and loose clothing away from the tires and the wheel hubs while the vehicle is switched ON.

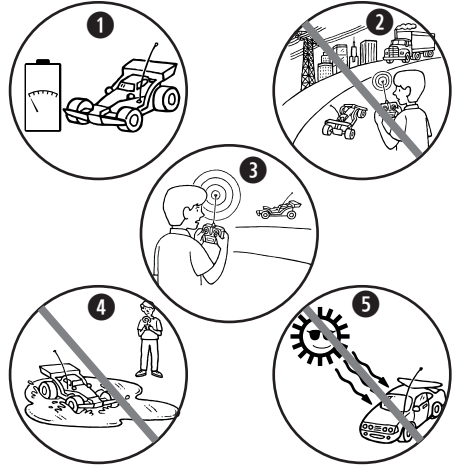
⚠️ **CAUTION:** To prevent entanglement, keep hair away from wheels.

- Adult supervision is recommended when this vehicle is being operated.
- To avoid accidental operation, remove all batteries when not in use. Always turn the vehicle OFF before removing the batteries.



IV. QUICK TIPS

1. When your vehicle starts to lose power, it may lose functions or performance. It's time for fresh batteries (or a recharge). Your vehicle's running time may change depending on your driving style.
2. Radio interference can effect your vehicle's performance. Interference can be caused by other R/C vehicles running on the same frequency, electrical wires, large buildings or CB radios. Try to stay away from these!
3. Point your transmitter antenna up - not down toward your vehicle. If your vehicle gets too far away, it won't work properly. If your transmitter has an antenna carry-loop feature, make sure the antenna is removed from the holder and straightened before operating.
4. Don't drive your vehicle in sand or through water or snow.
5. Don't store your vehicle near heat or in direct sunlight. Always turn switches OFF and remove all batteries for storage.



BATTERY SAFETY INFORMATION

In exceptional circumstances batteries may leak fluids that can cause a chemical burn injury or ruin your product. To avoid battery leakage:

- Non-rechargeable batteries are not to be recharged.
- Rechargeable batteries are to be removed from the product before being charged (if designed to be removable).
- Rechargeable batteries are only to be charged under adult supervision (if designed to be removable).
- Do not mix alkaline, standard (carbon-zinc), or rechargeable (nickel-cadmium) batteries.
- Do not mix old and new batteries.
- Only batteries of the same or equivalent type as recommended are to be used.
- Batteries are to be inserted with the correct polarity.
- Exhausted batteries are to be removed from the product.
- The supply terminals are not to be short-circuited.
- Dispose of battery(ies) safely.
- Do not dispose of this product in a fire. The batteries inside may explode or leak.

Battery Performance Note:

For best performance use regular or high-performance alkaline batteries (where disposable batteries are called for). If your vehicle is supplied with standard (carbon-zinc) batteries for initial use and/or demonstration purposes, we recommend replacing them with alkaline batteries when necessary. Battery life may vary depending on battery brand.



Protect the environment by not disposing of this product with household waste (2002/96/EC). Check your local authority for recycling advice and facilities.

TROUBLESHOOTING - PROBLEM? - SOLUTIONS

SYMPTOM

Vehicle runs slowly or will not run.

Power indicator light on transmitter does not light.

Erratic operation or only short range possible.

Vehicle doesn't work after going through water or snow.

• PROBABLE CAUSE

- Loose battery connection or vehicle switch not ON.
- Weak or uncharged rechargeable NiCd battery.
- Weak AA batteries (Power Clip) or transmitter battery.

• Transmitter battery weak or not connected.

• Radio interference likely.

• Water in the electronics area.

• CORRECTION

- Check battery connector and vehicle switch.
- Charge battery or replace.

• Replace with fresh alkaline battery.

• Check connections and replace battery if required.

• Change location - see Point 2, "Quick Tips."

- Vehicle will take several hours to dry. Allow to dry thoroughly overnight before trying again.
- Avoid driving in water or snow.

90 DAY LIMITED WARRANTY – Hot Wheels® R/C PRODUCTS

Mattel, Inc. warrants to the original consumer purchaser that this product will be free of defects in material and workmanship for ninety (90) days (unless specified in alternate warranties) from the date of purchase. Mattel will repair or replace the product, at our sole option, in the event of such a defect within the warranty period.

In the event of a defect covered under this warranty, first call the toll-free number listed below. Many problems can be solved in this manner. If necessary, you will be instructed to return the product, postage prepaid and insured, to the address below. Enclose your name, address, dated sales receipt, and a brief explanation of the defect. Repair or replacement, and return shipment, will be free of charge. Please return only the defective part or unit, packed securely.

This warranty does not cover damage resulting from unauthorized modification, accident, misuse or abuse. If the product is returned without a dated sales receipt, the product may be excluded from coverage under this warranty.

Mattel's liability for defects in material and workmanship under this warranty shall be limited to repair or replacement, at our sole option, and in no event shall we be responsible for incidental, consequential, or contingent damages (except in those states that do not allow this exclusion or limitation). This warranty is exclusive, and is made in lieu of any express or implied warranty. This warranty gives you specific legal rights and you may have other rights, which vary from state to state. Some states do not allow the exclusion of incidental or consequential damages, so the above exclusions or limitations may not apply to you.

TOLL-FREE NUMBER: 1-888-557-8926 - **Valid only in U.S.A.**

Hours: 8:00 A.M.-5:00 P.M. Eastern Time; Monday - Friday.
Expect some delay in January following the holiday season.
Please be patient and keep trying the toll-free number.

ADDRESS FOR RETURNS:
CONSUMER RELATIONS
636 GIRARD AVENUE
EAST AURORA, NY 14052

Valid only in U.S.A.

© 2007 Mattel, Inc., 333 Continental Blvd., El Segundo, CA 90245
U.S.A. Consumer Relations 1-888-557-8926 service.mattel.com.
• Mattel Canada Inc., Mississauga, Ontario L5R 3W2. Retain this address for future reference Mattel U.K. Ltd., Vanwall Business Park, Maidenhead SL6 4UB, Helpline 01628500303 • Mattel Australia Pty., Ltd., Richmond, Victoria. 3121. Consumer Advisory Service - 1300 135 312. • Mattel East Asia Ltd., Room 1106, South Tower, World Finance Centre, Harbour City, Tsimshatsui, HK, China. • Diimport & Diedarkan Oleh: Mattel SEA Ptd Ltd.(993532-P) Lot 13.5, 13th Floor, Menara Lien Hoe, Persiaran Tropicana Golf Country Resort, 47410 P.J. Tel:03-78803817, Fax:03-78803867.

COMPLIANCE WITH FCC REGULATIONS (VALID IN U.S. ONLY)

This device complies with part 15 of the FCC Rules. Operation is subject to the following two conditions: (1) This device may not cause harmful interference, and (2) this device must accept any interference received, including interference that may cause undesired operation.

This device generates and uses radio frequency energy and if not used properly may cause interference to radio and television reception. It has been tested and found to comply with the limits set by the FCC which are designed to provide reasonable protection against such interference.

NOTE: Changes or modifications not expressly approved by the manufacturer responsible for compliance could void the user's authority to operate the equipment.