

NOTES:

- Dolls cannot "kick", "pass" or "throw" alone.
- Dolls cannot "stand" alone.
- Doll not for use with some Barbie® fashions.
- Making Barbie® doll "kick", "pass" and "throw" becomes easier with practice.
- Visit us at <http://www.barbie.com>.

CONSUMER INFORMATION
YOU CAN TELL IT'S MATEL!



1 (800) 524-TOYS

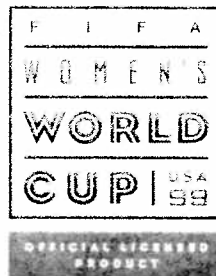
CE CONFORMS TO THE SAFETY
REQUIREMENTS OF EN 71-1

We are dedicated to quality products.

2 YEAR LIMITED WARRANTY

Mattel, Inc. warrants to the original consumer purchaser of any product it manufactures that the product will be free of defects in material or workmanship for two years (unless specified in alternate warranties) from the date of purchase. If defective, return the product along with proof of the date of purchase, postage prepaid, to Consumer Adjustment Center, 15930 E. Valley Boulevard, City of Industry, California 91744 for replacement or refund at our option. This warranty does not cover damage resulting from accident, misuse, or abuse. **Valid only in U.S.A.** This warranty gives you specific legal rights and you may also have other rights which vary from state to state.

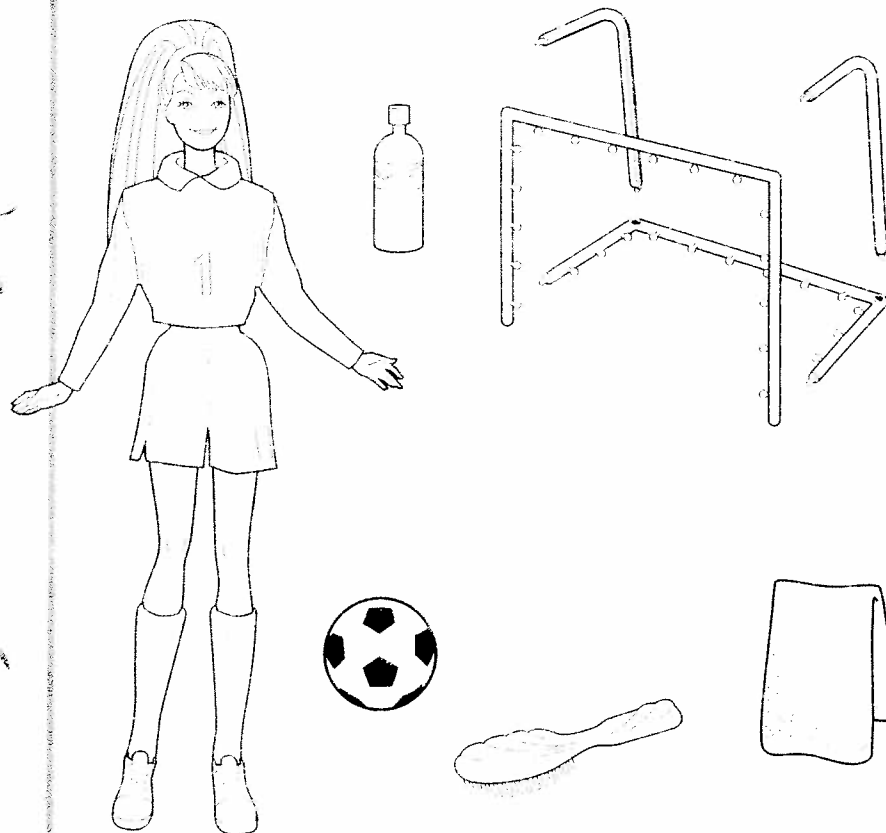
Send only the product to the address above. Send all correspondence to Consumer Affairs, Mattel, Inc., 355 Continental Blvd., El Segundo, CA 90245 5012, U.S.A. Or you may phone us toll free at 1-800-524-TOYS, Monday through Thursday: 8:00 a.m. 5:00 p.m. PST (11:00 a.m. 8:00 p.m. EST), Friday: 8:00 a.m. 11:30 p.m. PST (11:00 a.m. 3:30 p.m. EST).



SOCCER
Barbie DOLL
and Doll Friends



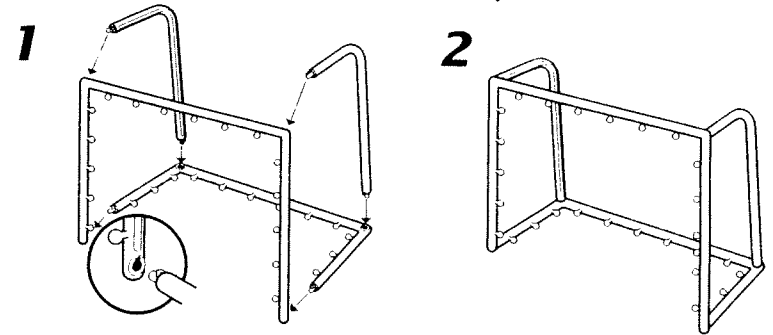
INSTRUCTIONS



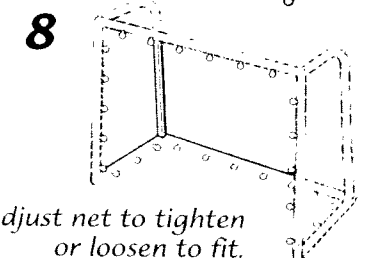
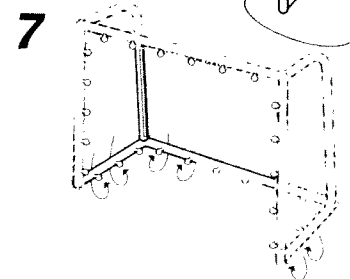
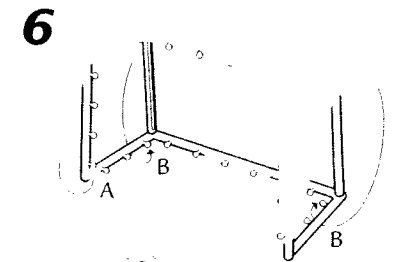
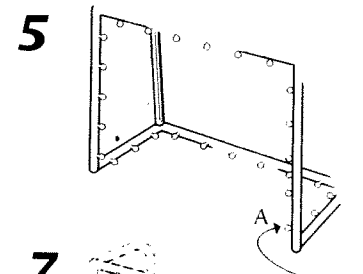
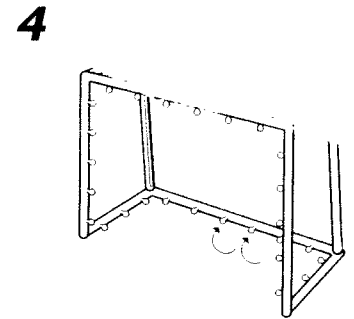
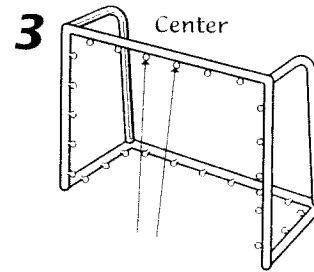
Contents: Please remove everything from the package and compare to the contents shown here.
If any items are missing, please call:
1-800-524-TOYS.
(Fashions may vary.)

Goal and Net Assembly

Adult help will be required.



Attach
net



Adjust net to tighten
or loosen to fit.

SOCCER Barbie®

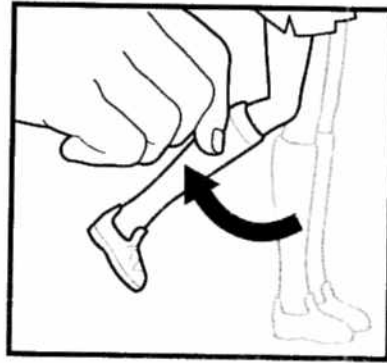
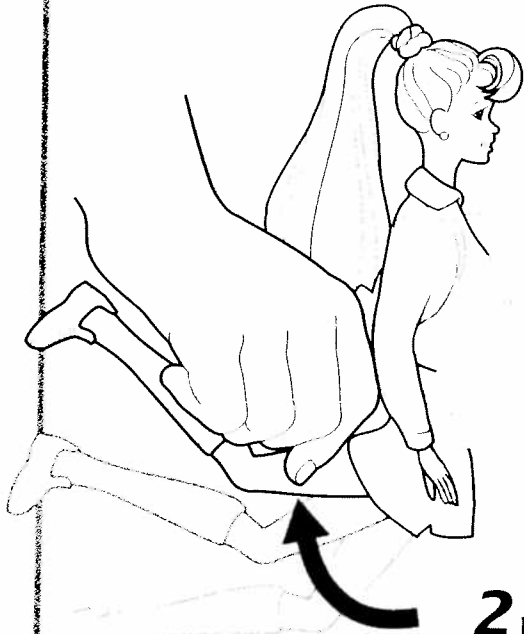
**You can really make Barbie® doll
and her doll friends “kick” goals!**

Always position child behind or to the side of doll.

CAUTION:

- This product contains a magnet. Do not use around items that are sensitive to or affected by magnetic fields.
- Only use the ball supplied with this toy.
- Do not fire at people or animals.

GET READY



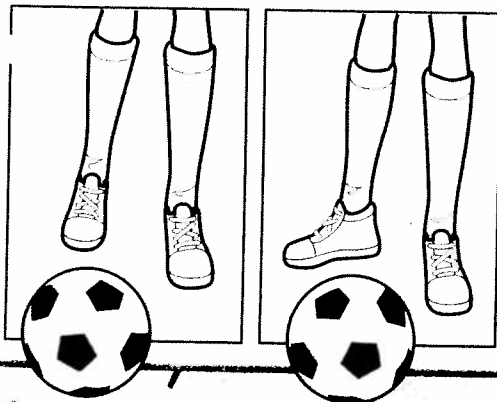
1 Bend doll's **right knee** slightly.

2 Pull doll's **right thigh** all the way back until it stops.

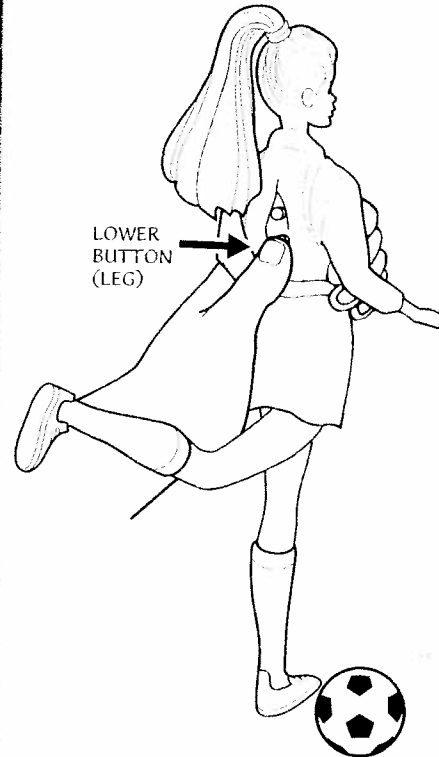
You may hear doll “CLICK”.

NOTE: Thigh must be bent all the way back to “kick” properly.

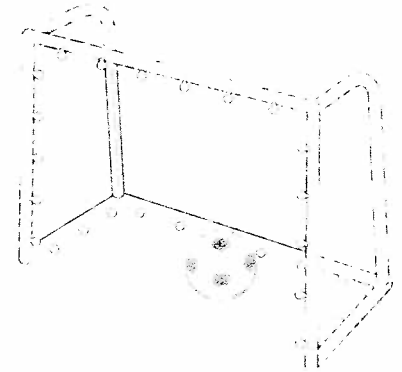
NOTE: You can position doll's **right foot** forward ...or turned to the side. Doll can “kick” the ball in both positions!



... “KICK”!



3 Position ball directly beside **left foot**.



4 You can aim soccer ball towards the goal or towards another player. Push **lower button** on doll's back with your left thumb to make doll “kick” or “pass”.

... “PASS”!

