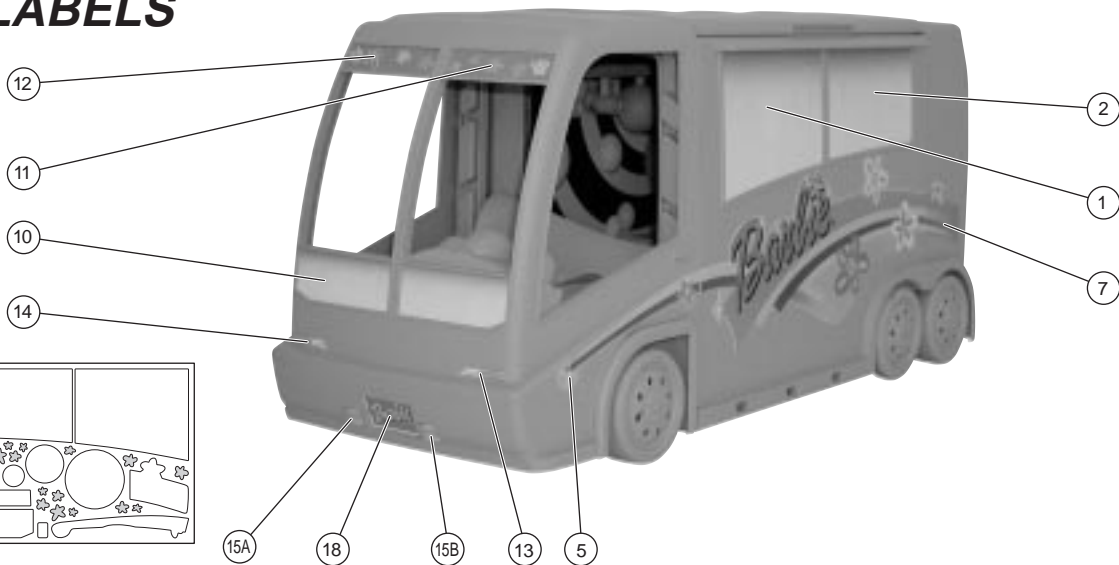
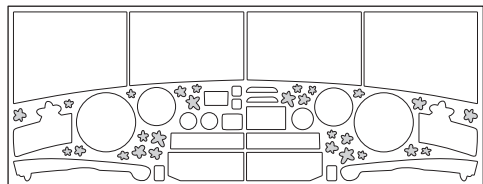




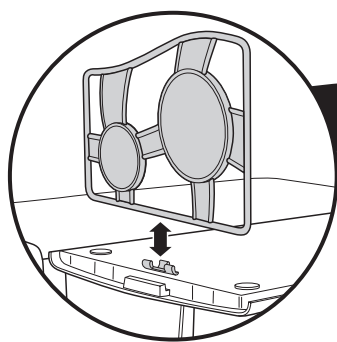
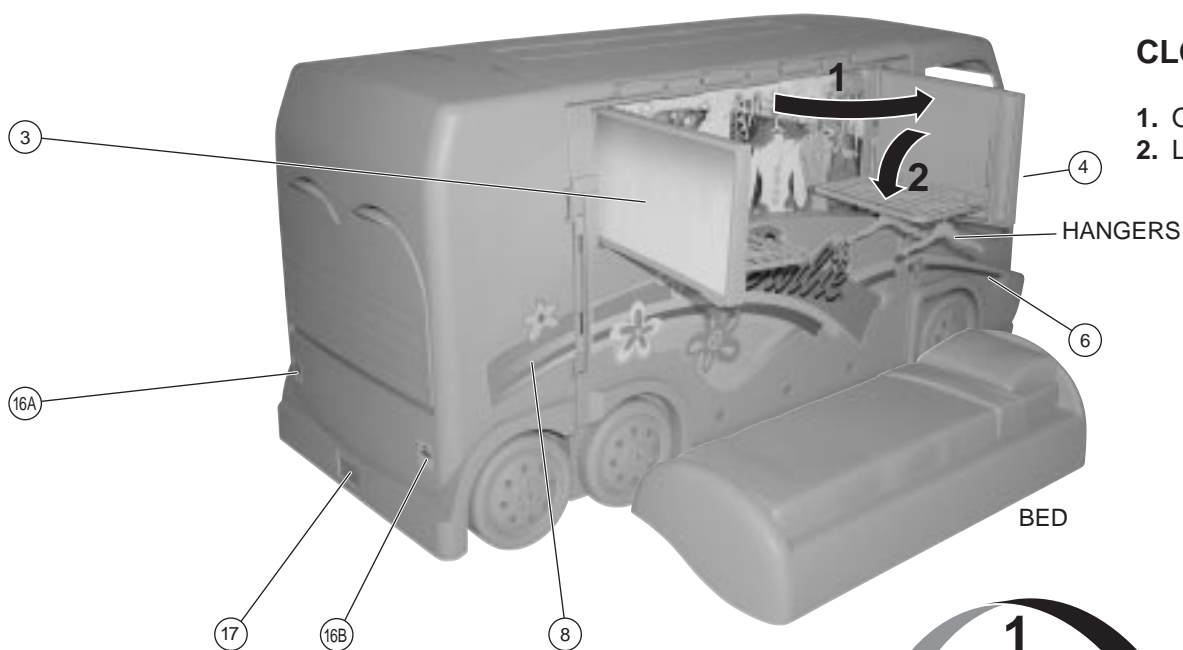
# ASSEMBLY / LABELS

Place unnumbered labels (shaded below) wherever you like, including the outside of the Bus or on the guitars.



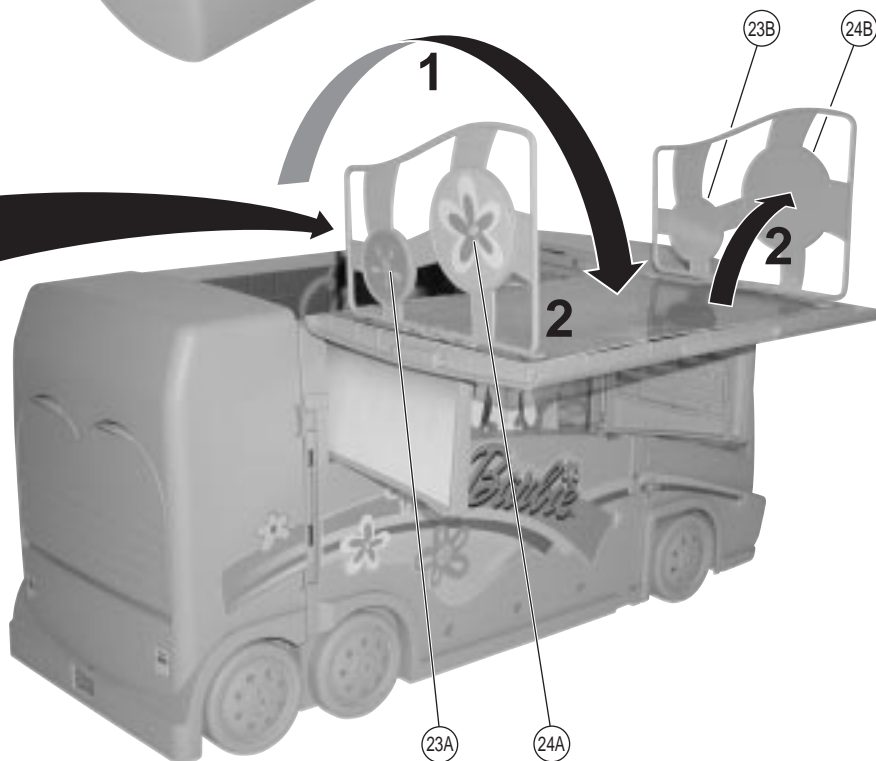
## CLOSET/BEDROOM

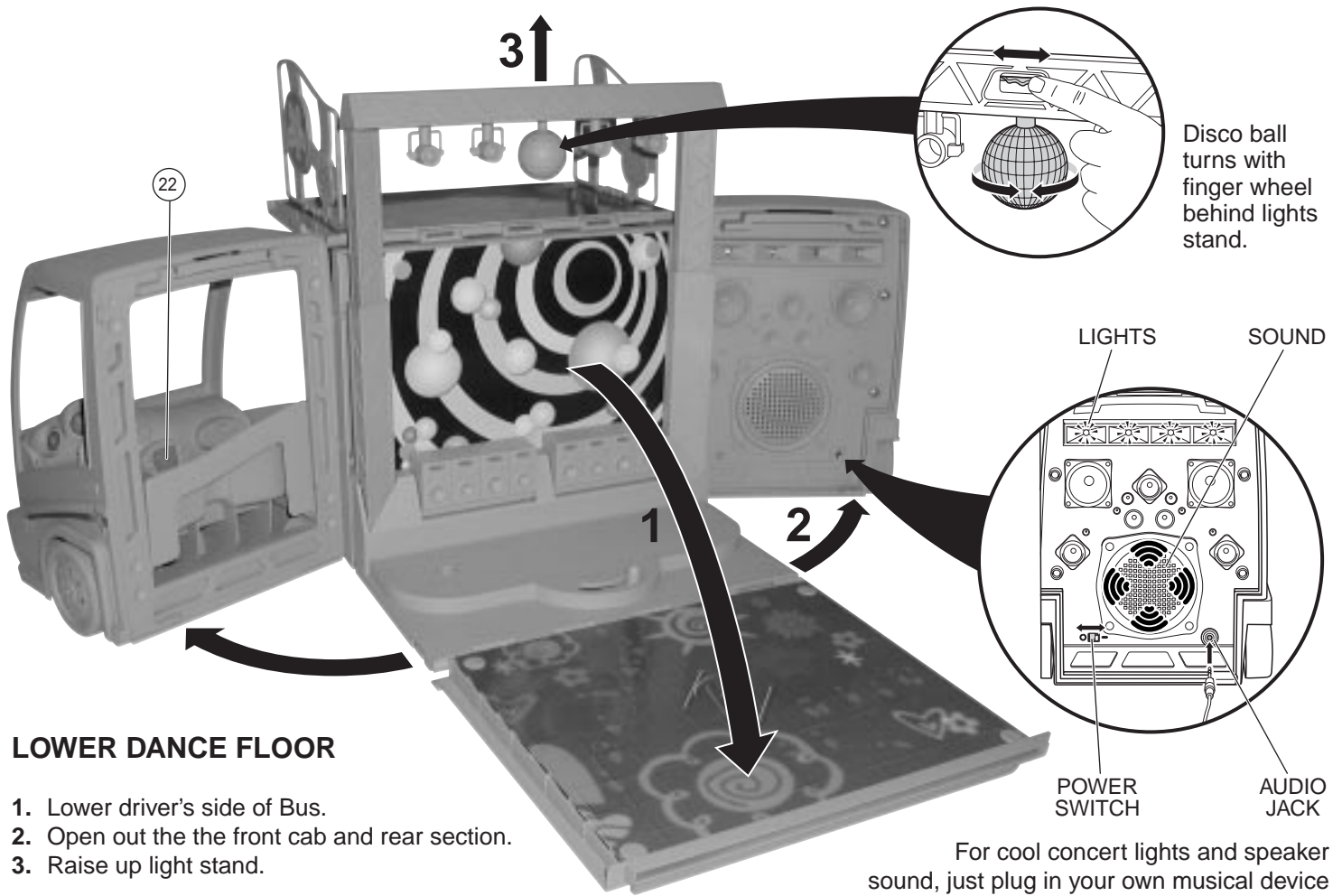
1. Open closet doors.
2. Lower clothes rack.



## UPPER DANCE FLOOR

1. Open top of Bus.
2. Raise interchangeable railings.





## LOWER DANCE FLOOR

1. Lower driver's side of Bus.
2. Open out the the front cab and rear section.
3. Raise up light stand.

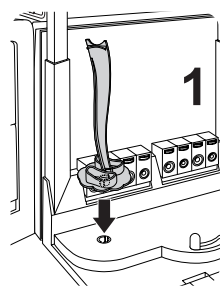
For cool concert lights and speaker sound, just plug in your own musical device (not included) into rear audio jack. Slide POWER SWITCH for lights to FLASH and SOUND.

**Volume control on external audio source, not on toy.**

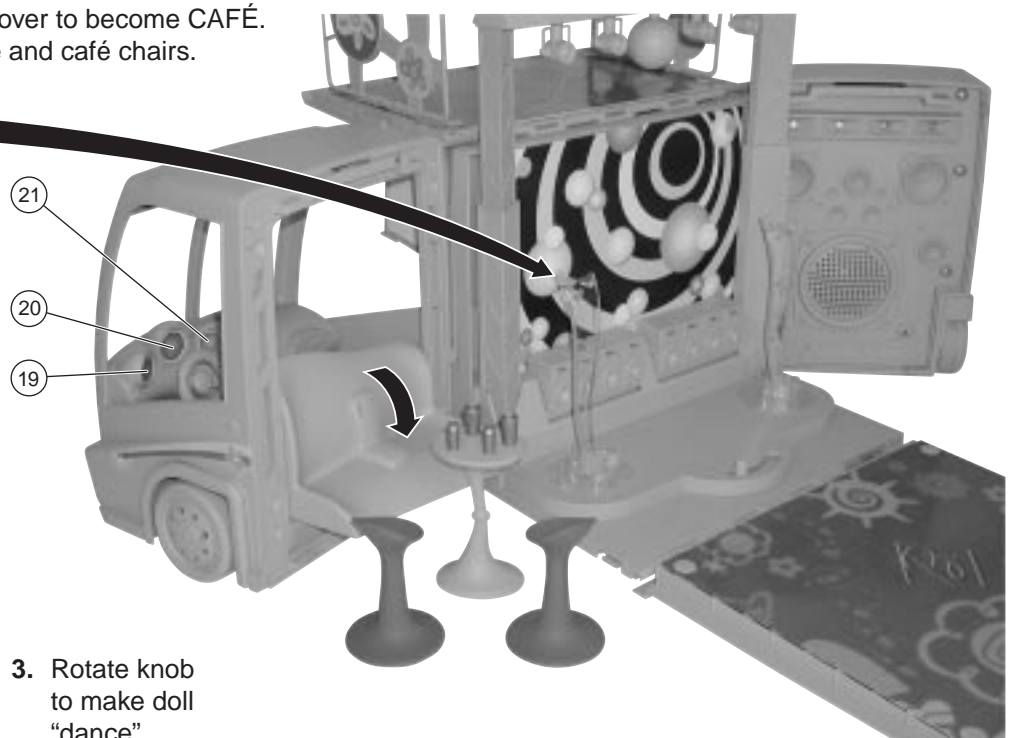
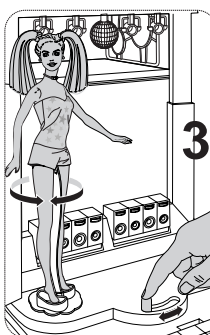
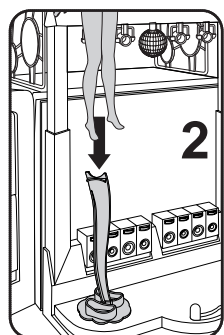
## CAFÉ

Flip seat over to become CAFÉ.  
Add table and café chairs.

### DOLL STANDS (2)



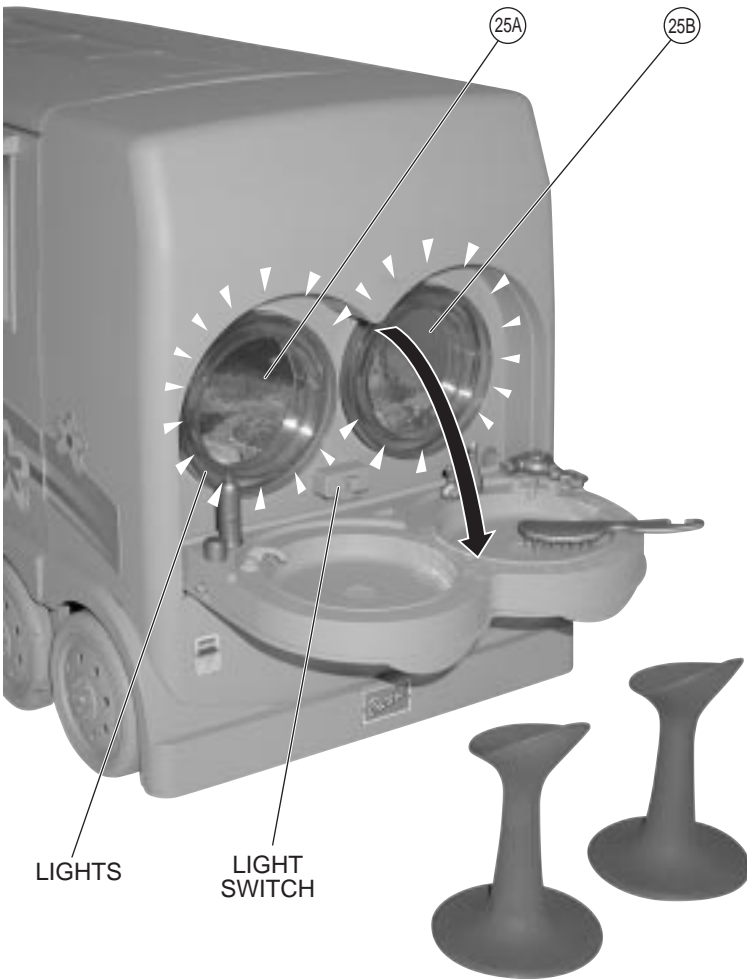
1. Align tabs on base of doll stand with notches in dance floor.
2. Place doll (not included) on doll stand.



3. Rotate knob to make doll "dance".

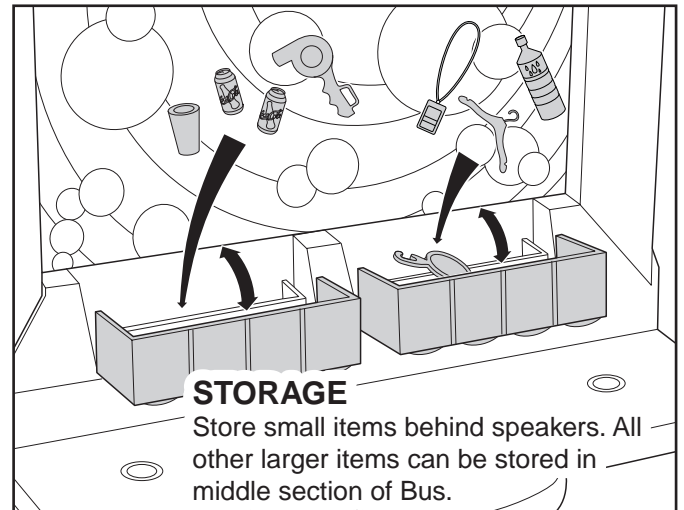
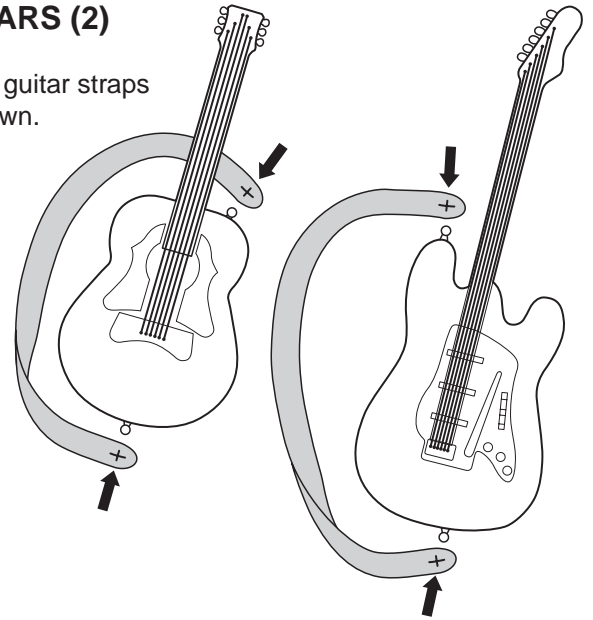
## VANITY

Lower "sinks" down. Place chairs and accessories to "prep" for concert.



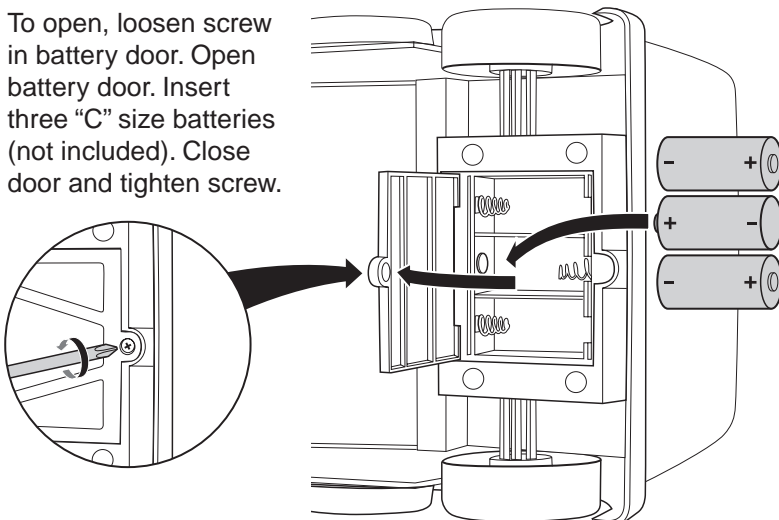
## GUITARS (2)

Attach guitar straps as shown.



## INSTALL BATTERIES

To open, loosen screw in battery door. Open battery door. Insert three "C" size batteries (not included). Close door and tighten screw.



Replace batteries when music becomes distorted or inaudible or if lights dim or do not function.

For longer life use only alkaline batteries. Toy may not function or operate with other types of batteries.

### BATTERY SAFETY INFORMATION:

1. Non-rechargeable batteries are not to be recharged.
2. Rechargeable batteries are to be removed from the toy before being recharged.
3. Rechargeable batteries are only to be charged under adult supervision.
4. Do not mix alkaline, standard (carbon-zinc), or rechargeable (nickel-cadmium) batteries.
5. Do not mix old and new batteries.
6. Only batteries of the same or equivalent type as recommended are to be used.
7. Batteries are to be inserted with the correct polarity.
8. Exhausted batteries are to be removed from the toy.
9. The supply terminals are not to be short-circuited.
10. Dispose of batteries safely.