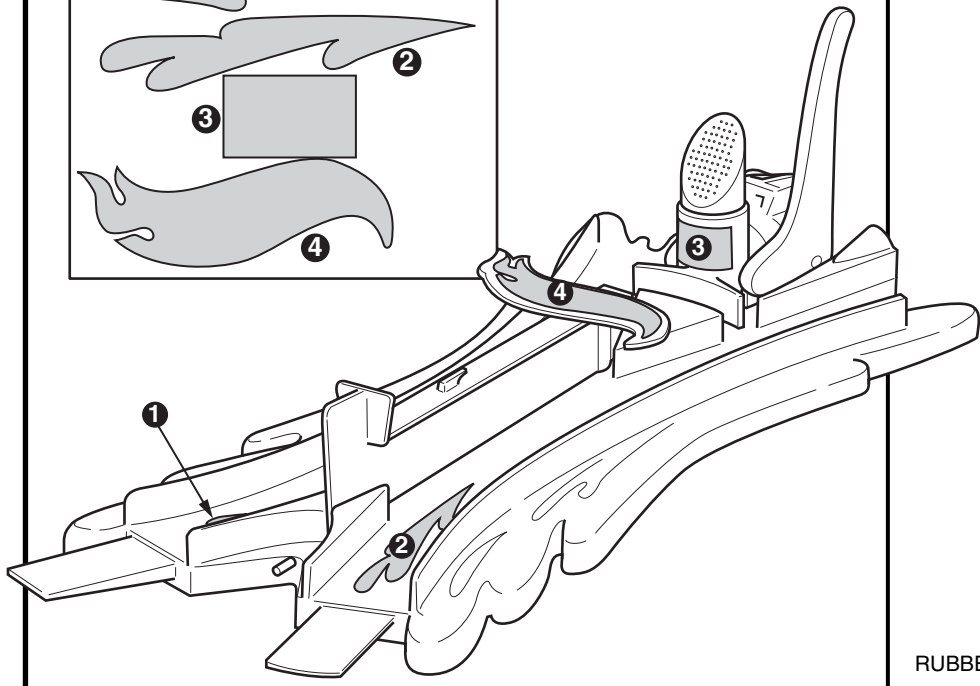
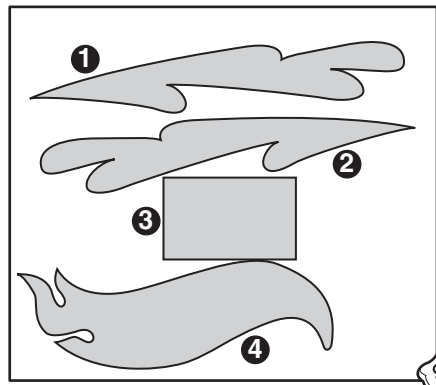


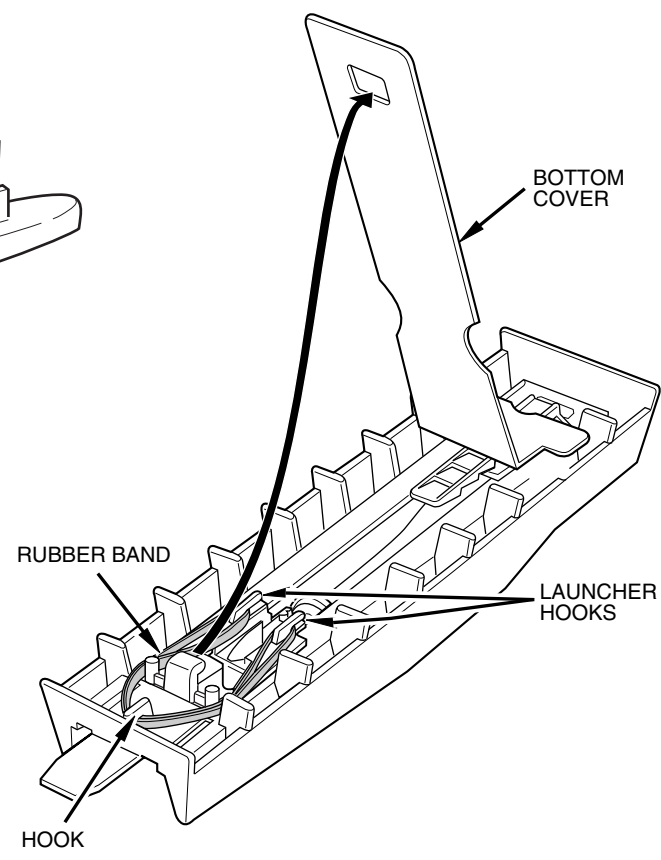
APPLY LABELS



Water toys sometimes get messy. Protect play surfaces before use. Drain, rinse, clean and dry all items thoroughly before storing.

HOW TO REPLACE RUBBER BAND IN LAUNCHERS:

Use a #16 rubber band. Open bottom cover. Fold rubber band in half. Place center under hook. Slip ends around launcher hooks. Close bottom cover.



2-YEAR WARRANTY

Mattel, Inc. warrants to the original consumer purchaser that this product will be free of defects in material or workmanship for two years (unless specified in alternate warranties) from the date of purchase. If defective, return the product along with proof of the date of purchase, postage prepaid, to Consumer Relations, 636 Girard Avenue, East Aurora, New York 14052 for replacement or refund at our option. This warranty does not cover damage resulting from unauthorized modification, accident, misuse, or abuse. In no event shall we be responsible for incidental, consequential, or contingent damages (except in those states that do not allow this exclusion or limitation). **Valid only in U.S.A.** This warranty gives you specific legal rights and you may also have other rights which vary from state to state. Some states do not allow the exclusion of incidental or consequential damages, so the above limitations may not apply to you.

Send only the product to the address above. Send all correspondence to Consumer Relations, Mattel, Inc., 333 Continental Blvd., El Segundo, California 90245-5012, U.S.A. Or you may phone us toll-free at 1-800-524-TOYS, Monday-Friday, 8:00 a.m.-6:00 p.m. Eastern Time.



SOAKIN' SPEEDWAY™ set

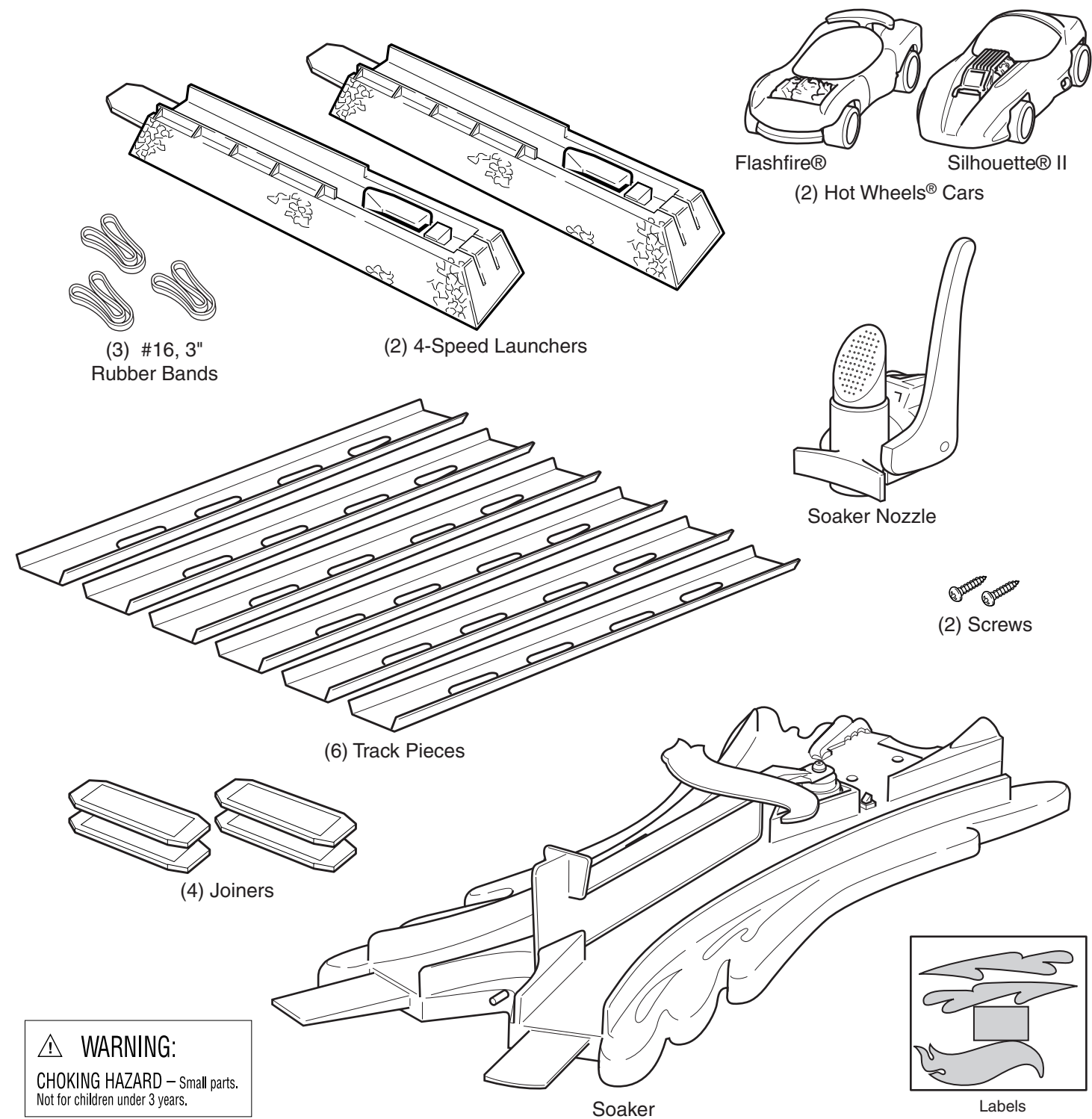
52583-0920

5+



INSTRUCTIONS

CONTENTS:



WARNING:
CHOKING HAZARD - Small parts.
Not for children under 3 years.

ADULT ASSEMBLY REQUIRED. Phillips head screwdriver (not included) required for assembly. Keep these instructions for future reference as they contain important information.

INSTRUCTION SHEET SPECIFICATIONS

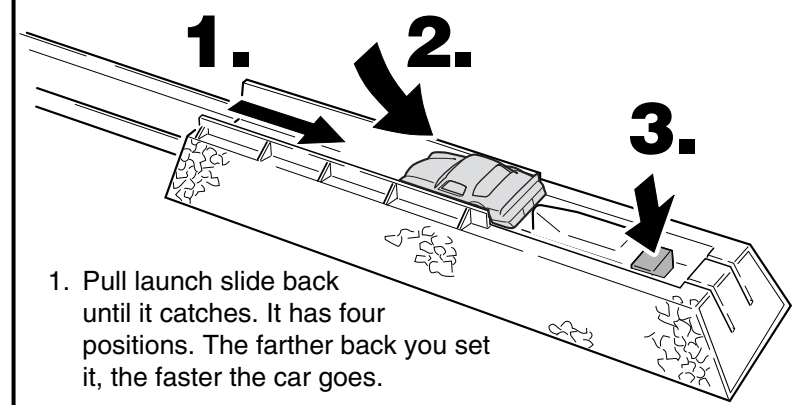
Toy: Soakin' Speedway™
Toy No.: 52583
Part No.: 0920
Trim Size: 17"W x 11"H
Folded Size: 8.5"W x 11"H
Type of Fold: See Dummy
colors: One
Colors: Black
Paper Stock: White Offset
Paper Weight: 70 lb.
EDM No.:

ASSEMBLY

Attach rubber band provided to starter flag as shown.

Assemble track as shown.

TO OPERATE 4-SPEED LAUNCHERS:



1. Pull launch slide back until it catches. It has four positions. The farther back you set it, the faster the car goes.
2. Load car as shown.
3. Push down on button to launch.

TO PLAY

1. Assemble track as shown and load cars in launchers.
2. Attach garden hose and turn water valve on 1/4 turn (pressure may vary).
3. Wet surface and press down on suction cup on starter flag to get ready to race.
4. When flag pops up, players launch their cars. The player who finishes last or goes before the flag pops up, gets sprayed from the soaker.
5. Reset valve lever to shut off spray.

Attach Soaker spray nozzle as shown.

Turn on garden hose (not included) for 30 seconds to clear debris. Turn off hose and attach to set.

Turn over base and attach screws with screwdriver (not included).

Wet surface and press down suction cup on starter flag. Wait for it to pop up to start race.

To reset, lift valve lever until it clicks under notch on sprayer nozzle of soaker. Sprayer will shut off.

BOTTOM

SUCTION CUP

STARTER FLAG

WATER VALVE LEVER SHUT-OFF

SOAKER NOZZLE SPRAY

RESET NOTCH