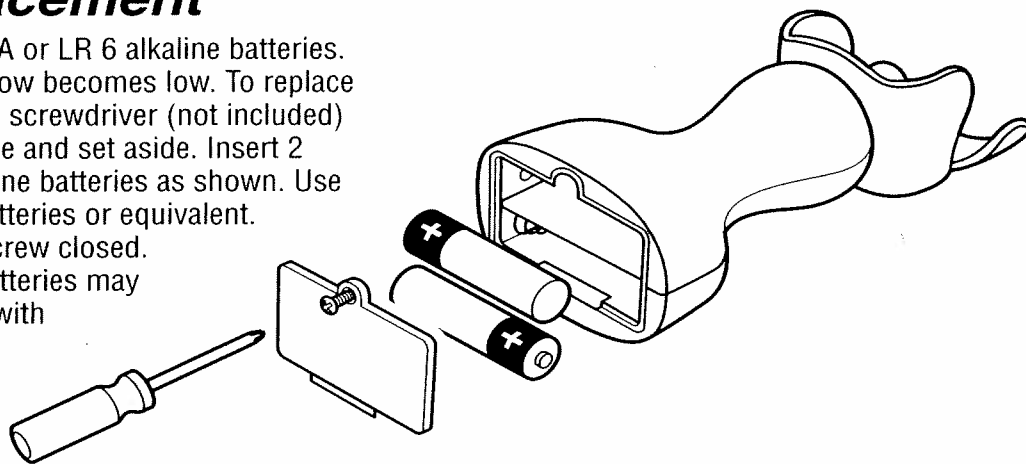




## Battery Replacement

Toy requires 2 replaceable AA or LR 6 alkaline batteries. Replace batteries when air flow becomes low. To replace batteries, use a Phillips head screwdriver (not included) to open battery door. Remove and set aside. Insert 2 replaceable AA or LR 6 alkaline batteries as shown. Use either AA or LR 6 alkaline batteries or equivalent. Replace battery cover and screw closed.

**ATTENTION:** Non-alkaline batteries may not power this toy. Replace with alkaline batteries for longest life and best performance.



### BATTERY SAFETY INFORMATION:

1. Non-rechargeable batteries are not to be recharged.
2. Rechargeable batteries are to be removed from the toy before being charged.
3. Rechargeable batteries are only to be charged under adult supervision.
4. Do not mix alkaline, standard (carbon-zinc), or rechargeable (nickel-cadmium) batteries.
5. Do not mix old and new batteries
6. Only batteries of the same or equivalent type as recommended are to be used.
7. Batteries are to be inserted with the correct polarity.
8. Exhausted batteries are to be removed from the toy.
9. The supply terminals are not to be short-circuited.
10. Dispose of batteries safely.

## TWO YEAR LIMITED WARRANTY

Mattel, Inc. warrants to the original consumer purchaser that this product will be free of defects in material or workmanship for two years (unless specified in alternate warranties) from the date of purchase. If defective, return the product along with proof of the date of purchase, postage prepaid, to Consumer Relations, 636 Girard Avenue, East Aurora, New York 14052 for replacement or refund at our option. This warranty does not cover damage resulting from unauthorized modification, accident, misuse or abuse. In no event shall we be responsible for incidental, consequential, or contingent damages (except in those states that do not allow this exclusion or limitation). **VALID ONLY IN U.S.A.** This warranty gives you specific legal rights and you may also have other rights which vary from state to state. Some states do not allow the exclusion of incidental or consequential damages, so the above exclusions or limitations may not apply to you.

Send only the product to the address above. Send all correspondence to Consumer Relations, Mattel, Inc., 333 Continental Blvd., El Segundo, California 90245-5012 U.S.A. Or you may phone us toll-free at 1-800-524-TOYS, Monday – Friday, 8:00 a.m. – 6:00 p.m. Eastern Time. Outside U.S.A., see telephone directory for Mattel listing.

### CONSUMER INFORMATION

MATTY MATTEL™ toys



**YOU CAN TELL IT'S MATTEL!™** CALL us toll-free or write with any comments or questions about our products or service. Monday-Friday 8:00 a.m.-6:00 p.m. Eastern Time. Outside U.S.A., see telephone directory for Mattel listing.

**Consumer Relations, Mattel, Inc.**  
333 Continental Blvd.  
El Segundo, CA 90245 USA

**1 (800) 524-TOYS**

**WE ARE DEDICATED TO QUALITY PRODUCTS.**



**WARNING:**

**CHOKING HAZARD** – Small parts.  
Not for children under 3 years.

# Enjoy a Day of Beauty at the Salon.

1.

Fill ice tray with water and freeze.



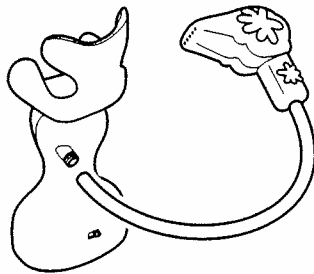
2.

Put the ice tray under tap water for a few seconds, press on the bottom of the ice tray, put the ice into the back of the hair blower.



3.

Plug the hair blower into the chair, as shown.



4.

Turn on the hair blower with the on/off switch on the chair. Blow on the doll's hair, changing the color.

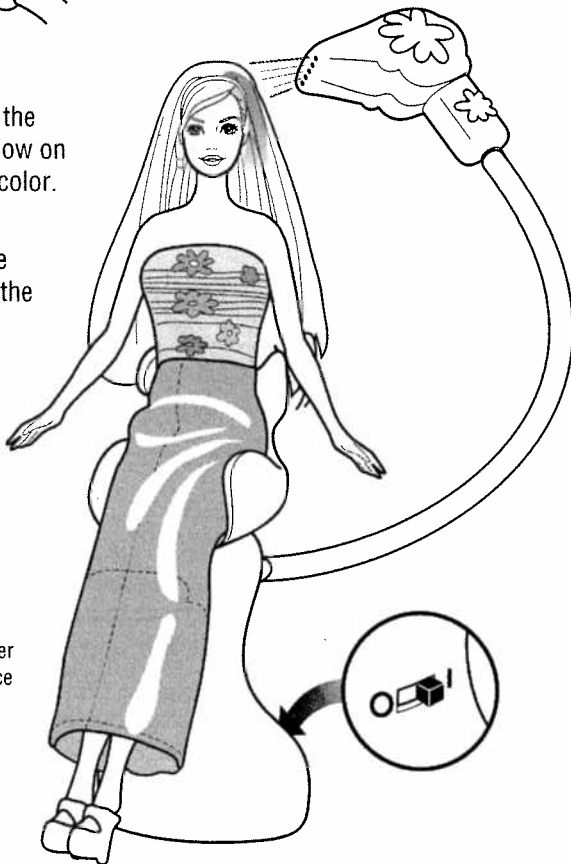
For best results, run the hair blower for 30 seconds before blowing the doll's hair. Hold the hair blower very close to the doll's hair. Slowly move the blower over the hair.

Only highlights in the hair will change color.

The warmth of your hands changes the hair back to its original color.

When ice has melted, drain water from the hair blower and replace with new ice cubes.

Color change will last longer if you do not expose this toy to intense heat or direct sunlight for prolonged periods of time.



## Turn 'n wrap™

Magically reverse top & skirt without removing!  
Make 4 different fashion looks!



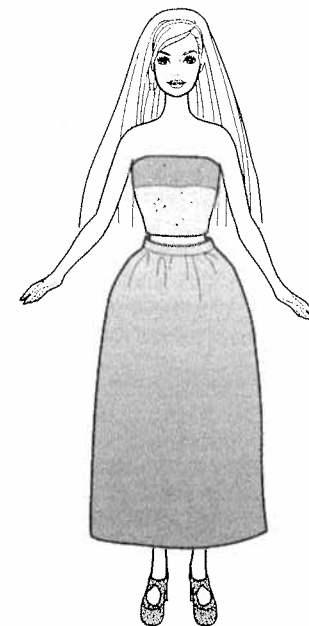
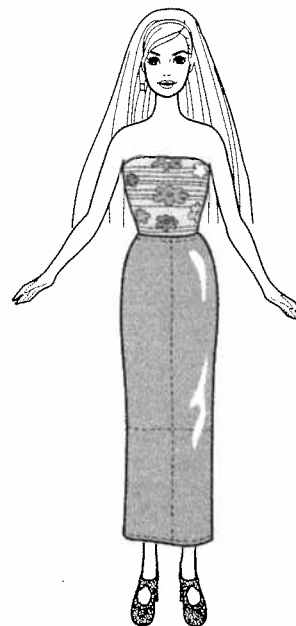
Undo fabric fastener.



Twist around clothing.



Redo fabric fastener.



Try the curly hair piece!



Clip on the hair clips as shown.

