



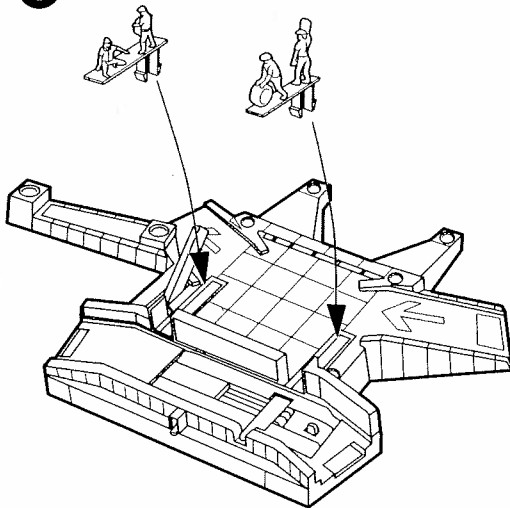
AUTO SPEEDWAY

THREE LEVELS OF SUPER EXPRESS SERVICE!

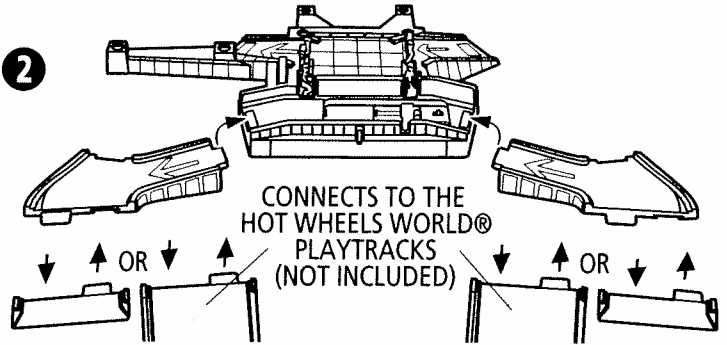
Please keep these instructions for future reference as they contain important information.

PRODUCT ASSEMBLY

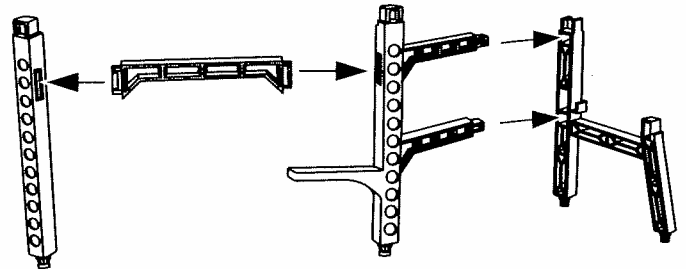
1



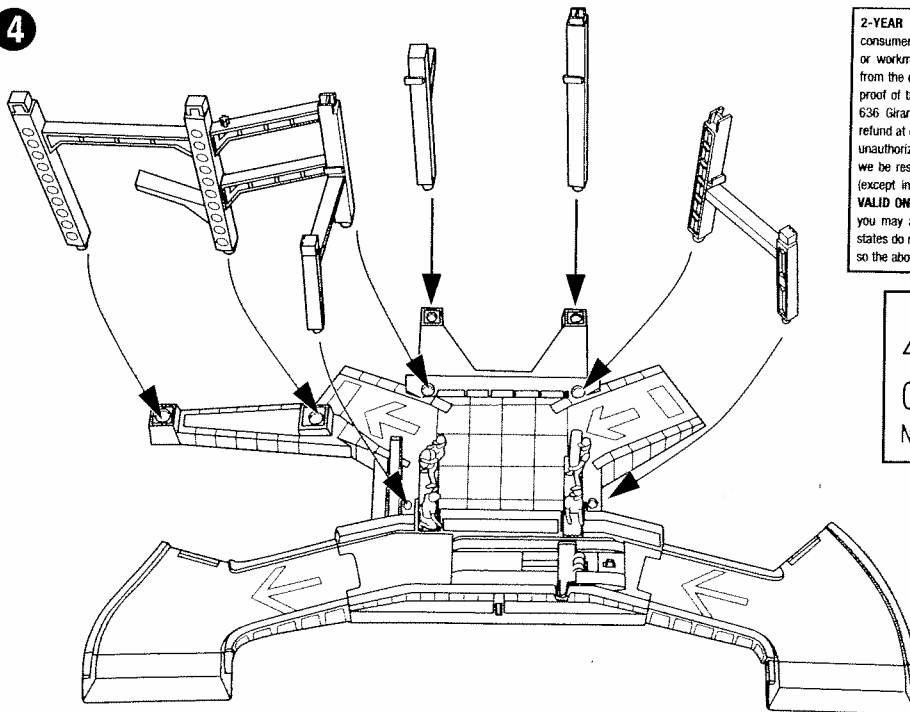
2



3



4



2-YEAR LIMITED WARRANTY Mattel, Inc. warrants to the original consumer purchaser that this product will be free of defects in material or workmanship for 2 years (unless specified in alternate warranties) from the date of purchase. If defective, return the product along with the proof of the date of purchase, postage prepaid, to Consumer Relations, 636 Girard Avenue, East Aurora, New York 14052 for replacement or refund at our option. This warranty does not cover damage resulting from unauthorized modification, accident, misuse or abuse. In no event shall we be responsible for incidental, consequential, or contingent damages (except in those states that do not allow this exclusion or limitation) **VALID ONLY IN U.S.A.** This warranty gives you specific legal rights and you may also have other rights which vary from state to state. Some states do not allow the exclusion of incidental or consequential damages, so the above exclusions or limitations may not apply to you.

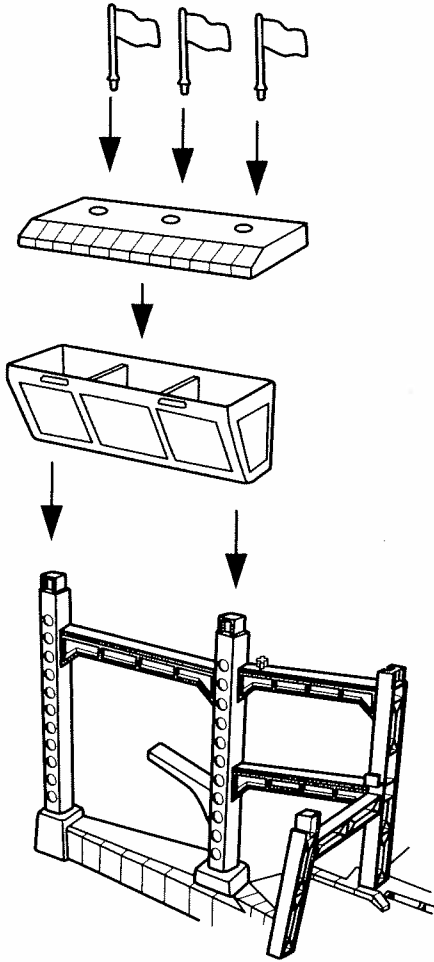


WARNING:

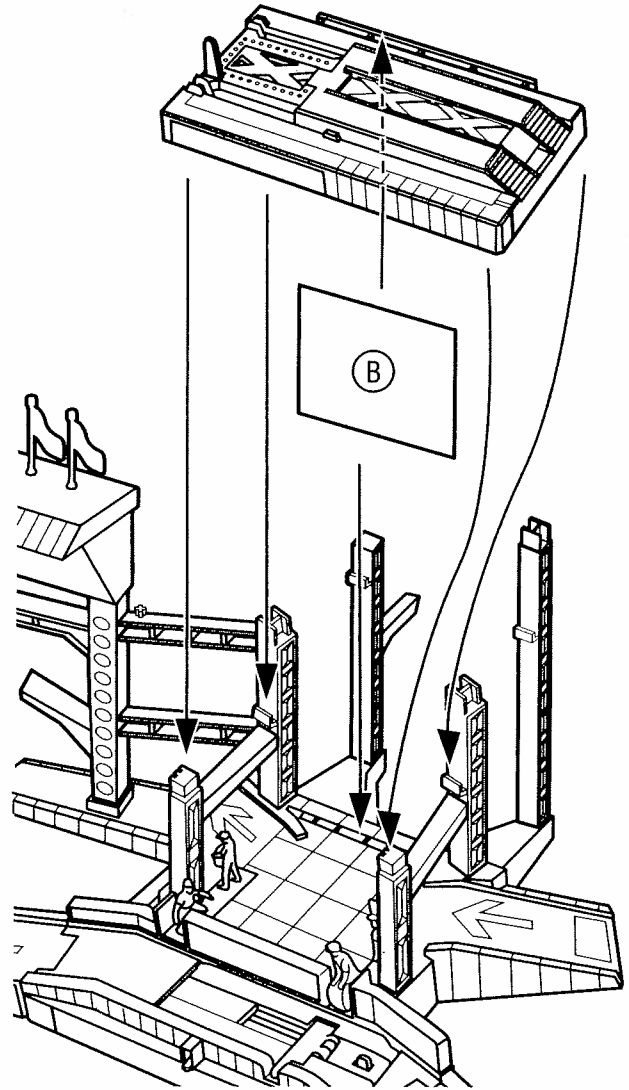
CHOKING HAZARD - Small parts.
Not for children under 3 years.

ADULT ASSEMBLY REQUIRED

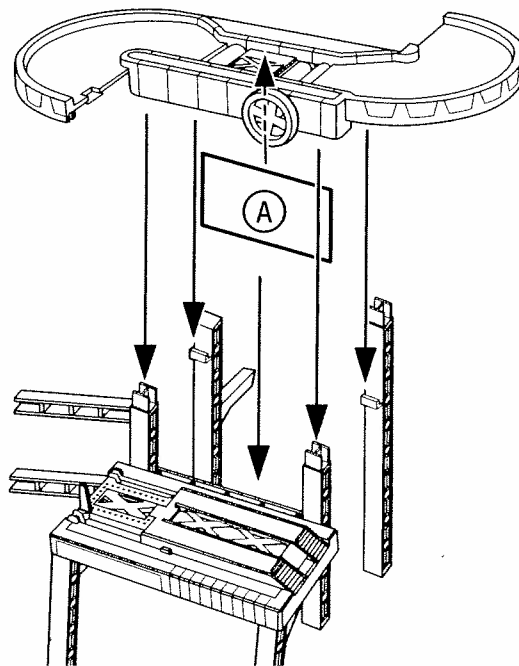
5



6



7



CHIP BOARD

(A)

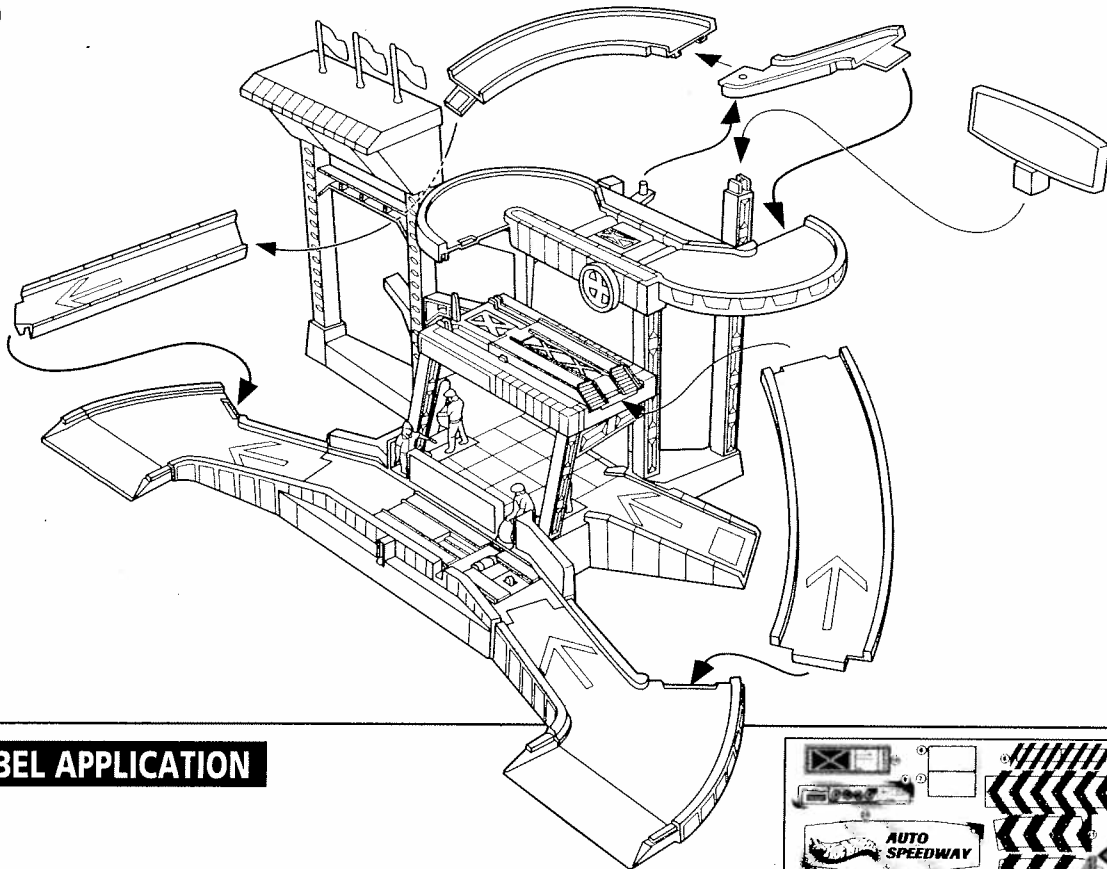


(B)

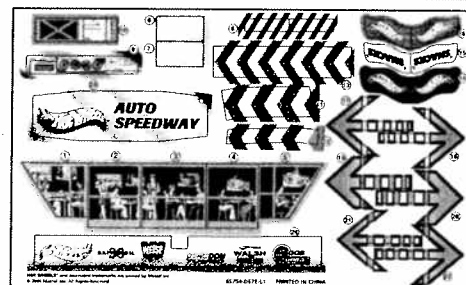


THE CHIP BOARD ARE DESIGNED TO BE ASSEMBLED ONE TIME ONLY.

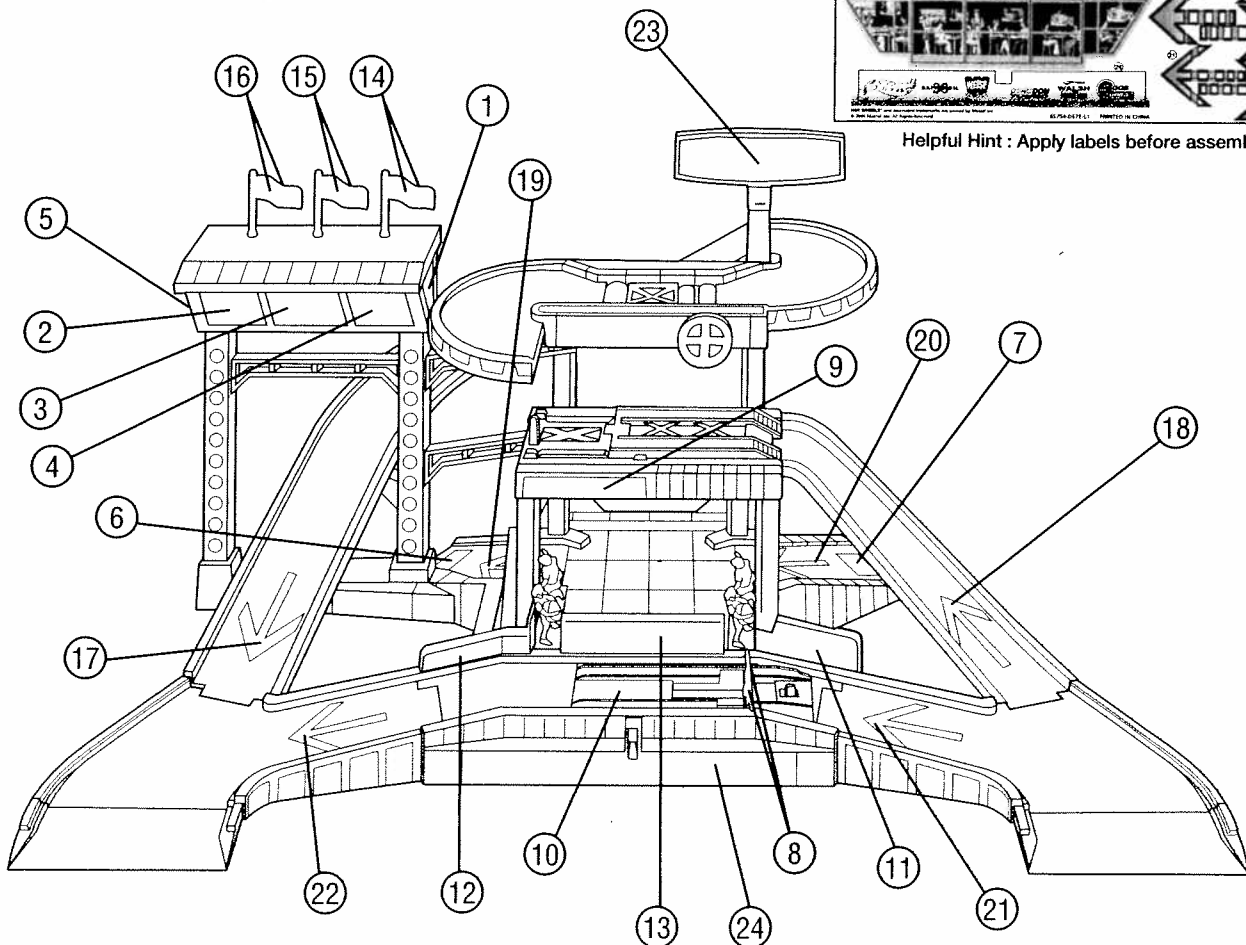
8



LABEL APPLICATION

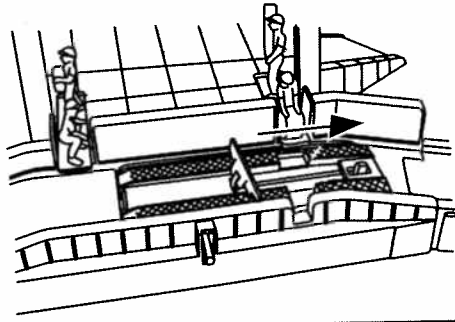


Helpful Hint : Apply labels before assembly.

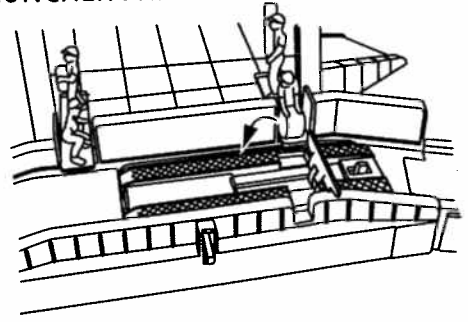


HOW TO PLAY

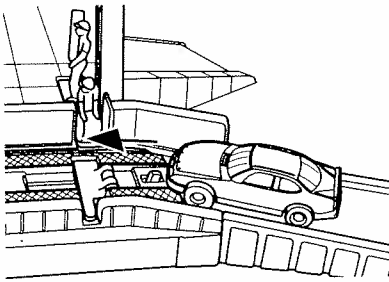
1 LAUNCHER PREPARATION



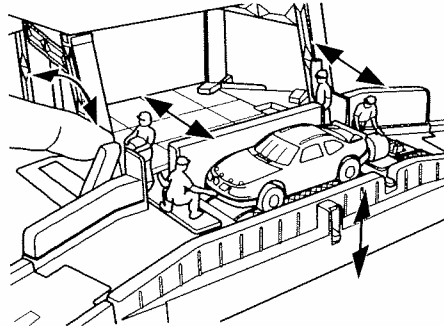
2 LAUNCHER PREPARATION



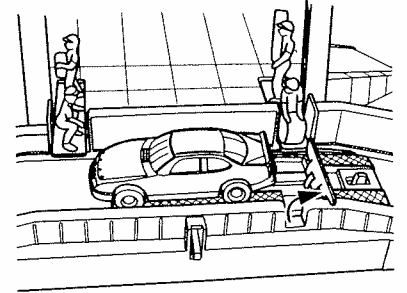
3 DRIVE VEHICLE ONTO LAUNCHER



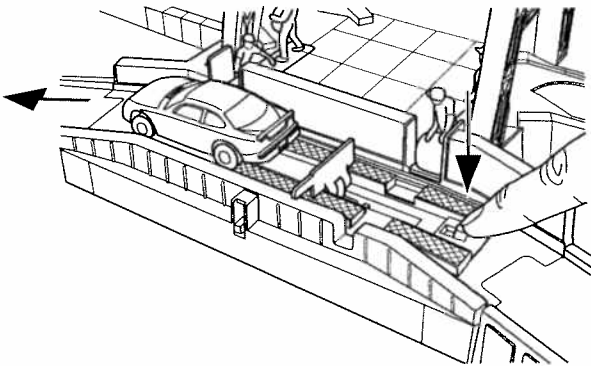
4 SLIDE OUT PIT CREWS



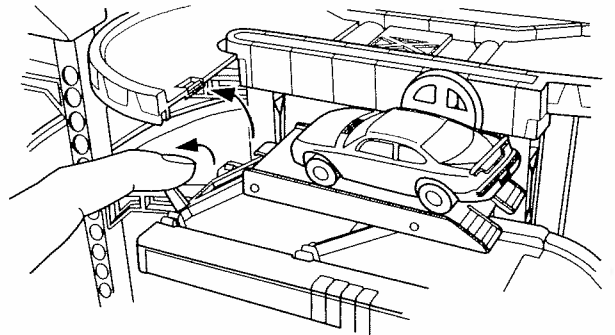
5 FLIP UP THE LAUNCHER



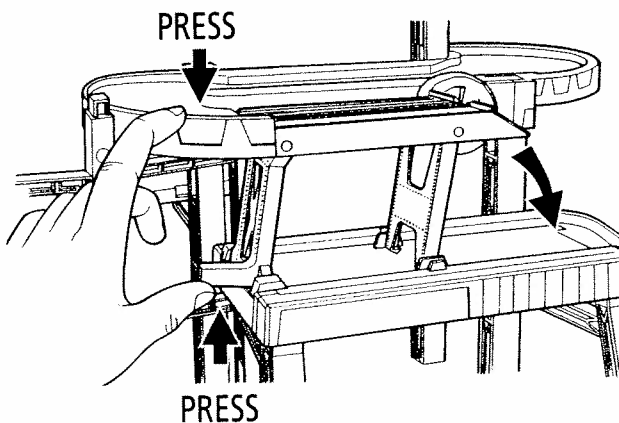
6 LAUNCH VEHICLE



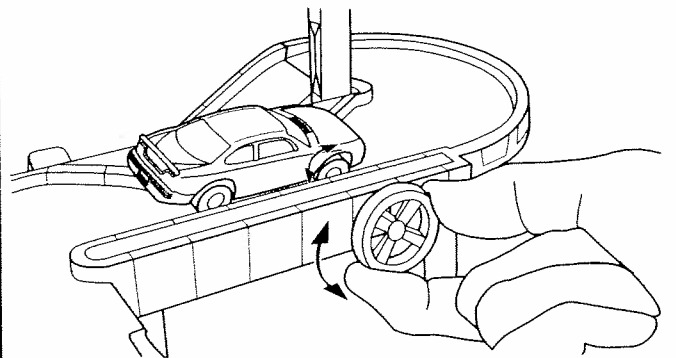
7 PUSH LEVER TO RAISE CAR LIFT!



8 PRESS TO RELEASE CAR LIFT



9 TURN TO TEST WHEEL ALIGNMENT!



INCLUDES ONE VEHICLE