

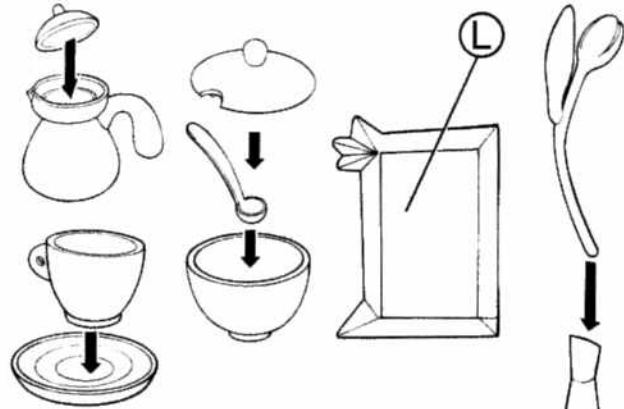
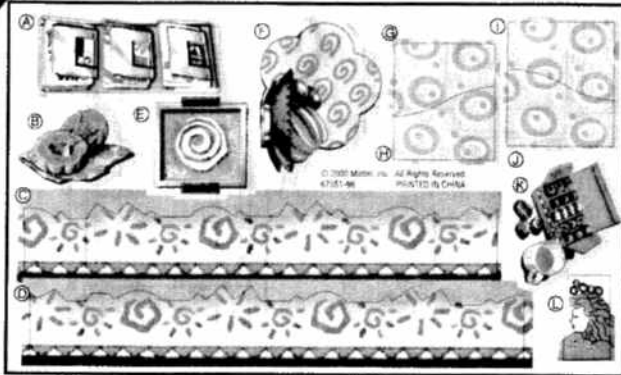
Barbie®

ADULT ASSEMBLY REQUIRED.

6151

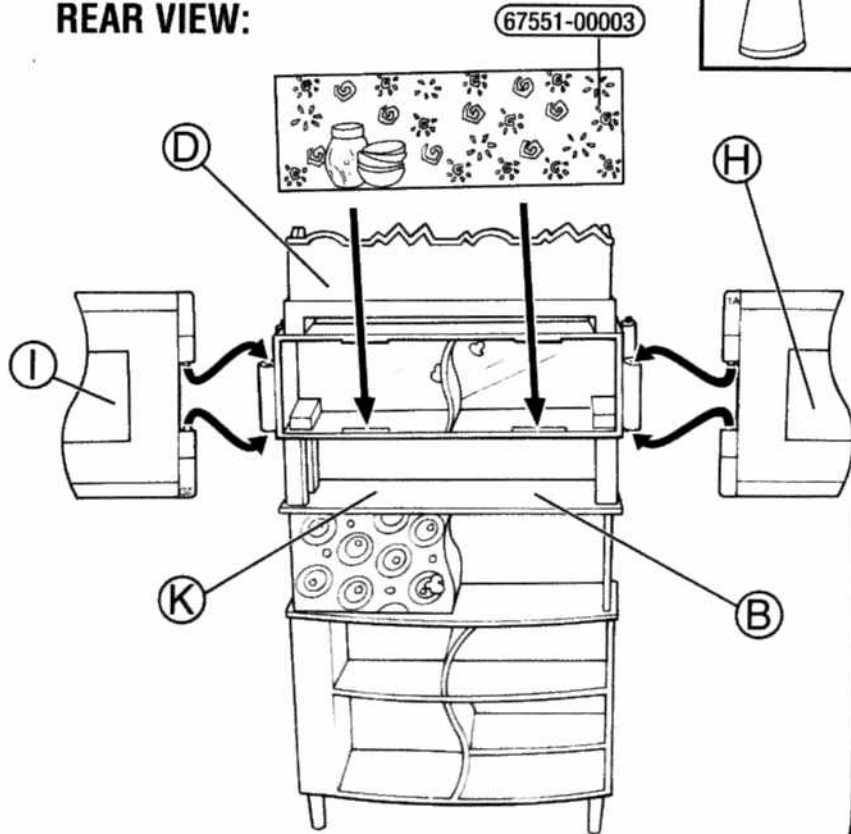
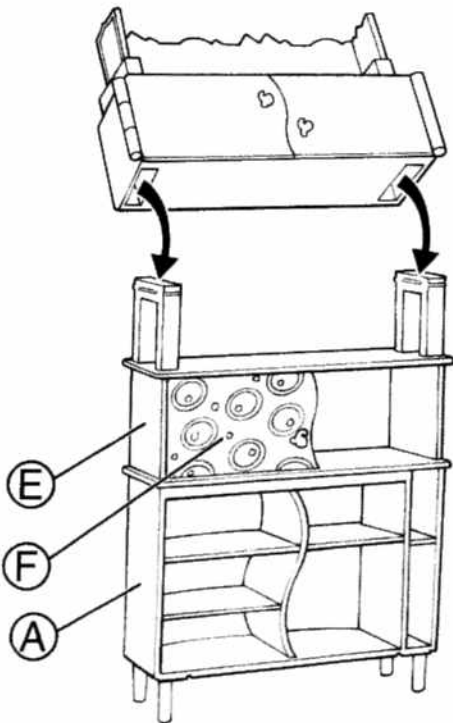
2 YEAR LIMITED WARRANTY

Mattel, Inc. warrants to the original consumer purchaser that this product will be free of defects in material or workmanship for 2 years (unless specified in alternate warranties) from the date of purchase. If defective, return the product along with the proof of the date of purchase, postage prepaid, to Consumer Relations, 636 Girard Avenue, East Aurora, New York 14052 for replacement or refund at our option. This warranty does not cover damage resulting from unauthorized modification, accident, misuse or abuse. In no event shall we be responsible for incidental, consequential, or contingent damages (except in those states that do not allow this exclusion or limitation) **VALID ONLY IN U.S.A.** This warranty gives you specific legal rights and you may also have other rights which vary from state to state. Some states do not allow the exclusion of incidental or consequential damages, so the above exclusions or limitations may not apply to you.



FRONT VIEW:

REAR VIEW:

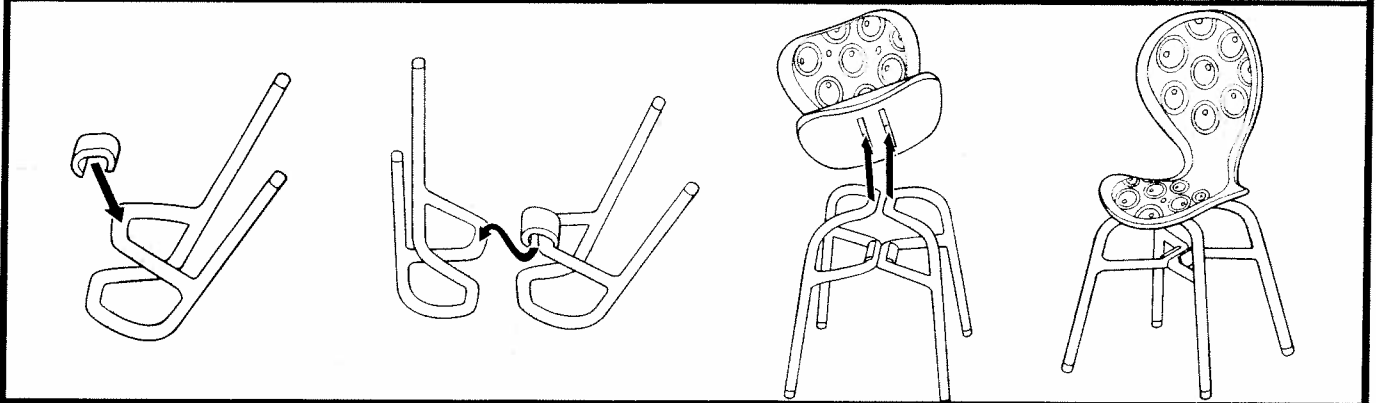
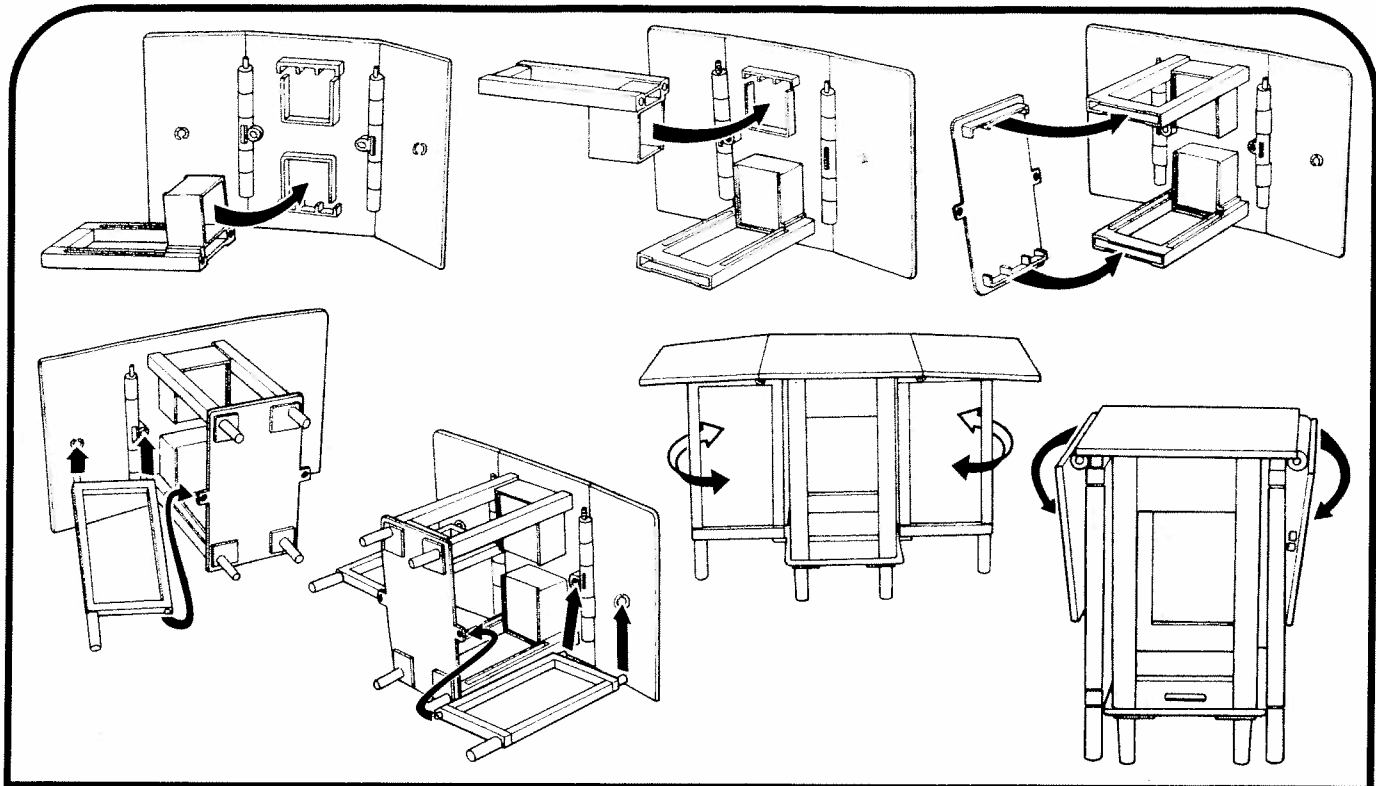


©2000 Mattel, Inc., El Segundo, CA 90245 U.S.A. All Rights Reserved.

Retain this address for future reference:
 Mattel U.K., Ltd., Vanwall Business Park, Maidenhead SL6 4UB.
 Helpline 01628500303

WARNING:
 CHOKING HAZARD - Small parts.
 Not for children under 3 years.

67551-30002
 RC-1



FRONT VIEW:

