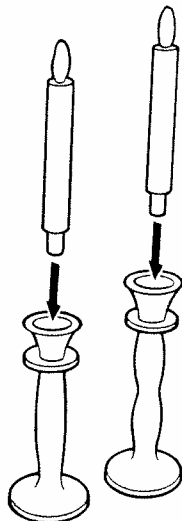
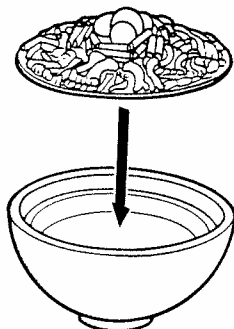
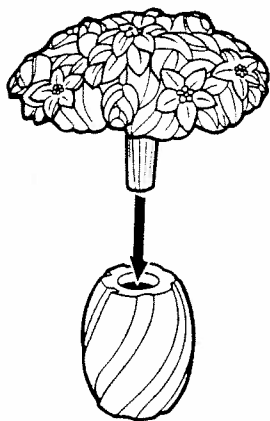


Barbie

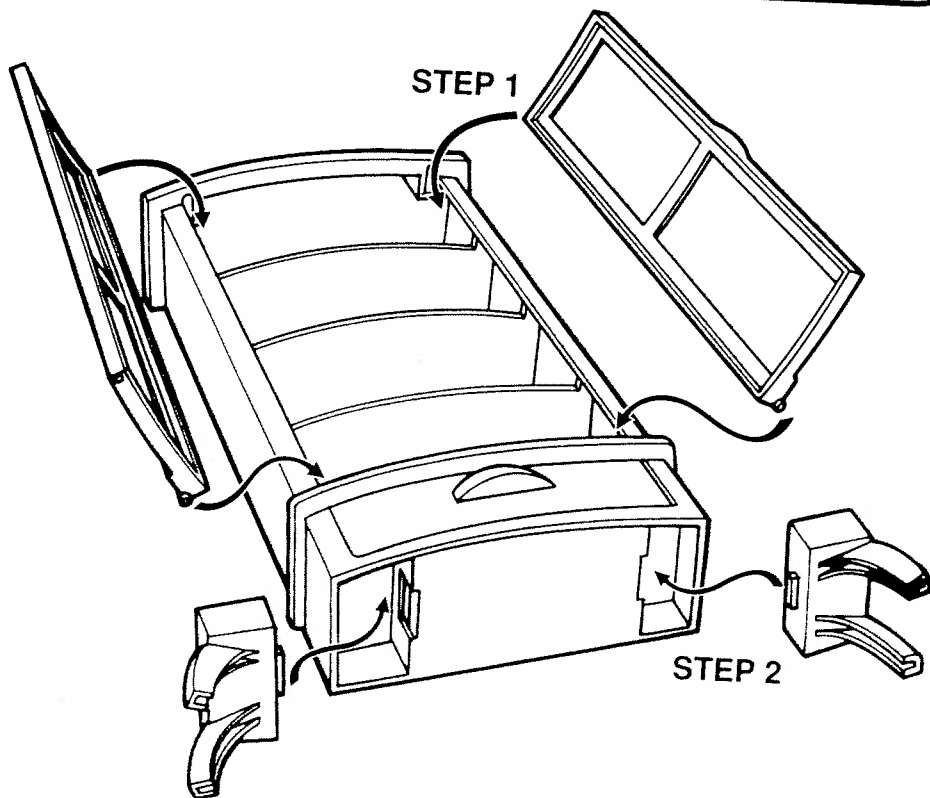
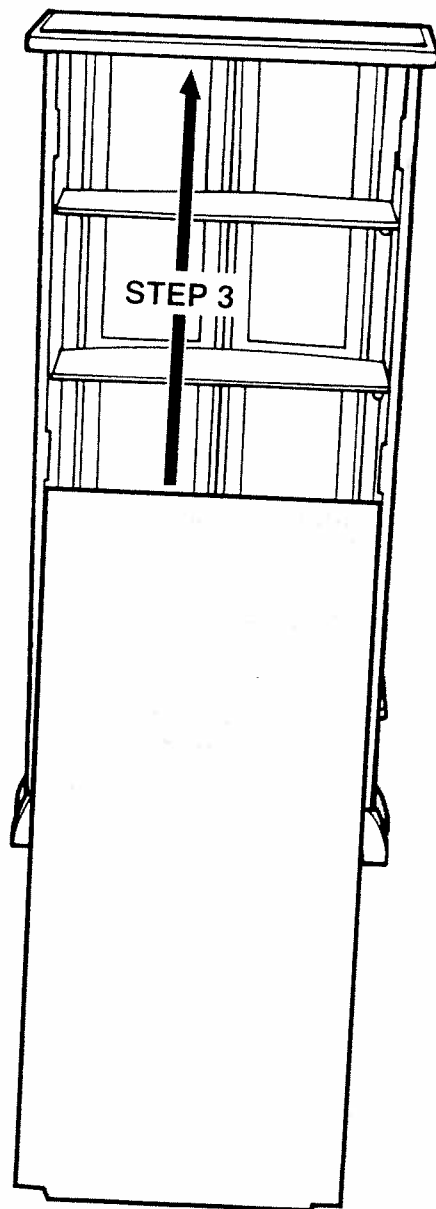
Dining Room 99

ARCOTOYS, INC., A Mattel Company, warrants to the original consumer purchaser that this toy product will be free from defects in material or workmanship for 2 years (unless otherwise specified in alternate warranties) from the date of purchase. If defects are found in the product along with proof of the date-of-purchase, please return the product to Consumer Adjustment Center, ARCOTOYS, INC., A Mattel Company, C.S. #9008, Crossways Park West, Woodbury, New York 11797 for replacement or refund at your option, or you may phone us toll-free at 1 (800) 442-2626 Monday thru Friday between the hours of 10:00 A.M. - 5:00 P.M. EST (7:00 A.M. - 2:00 P.M. PST). This warranty does not cover damage resulting from accident, misuse or abuse. **VALID ONLY IN U.S.A.** This warranty gives you specific legal rights and you may also have other rights which vary from state to state.

ADULT ASSEMBLY REQUIRED



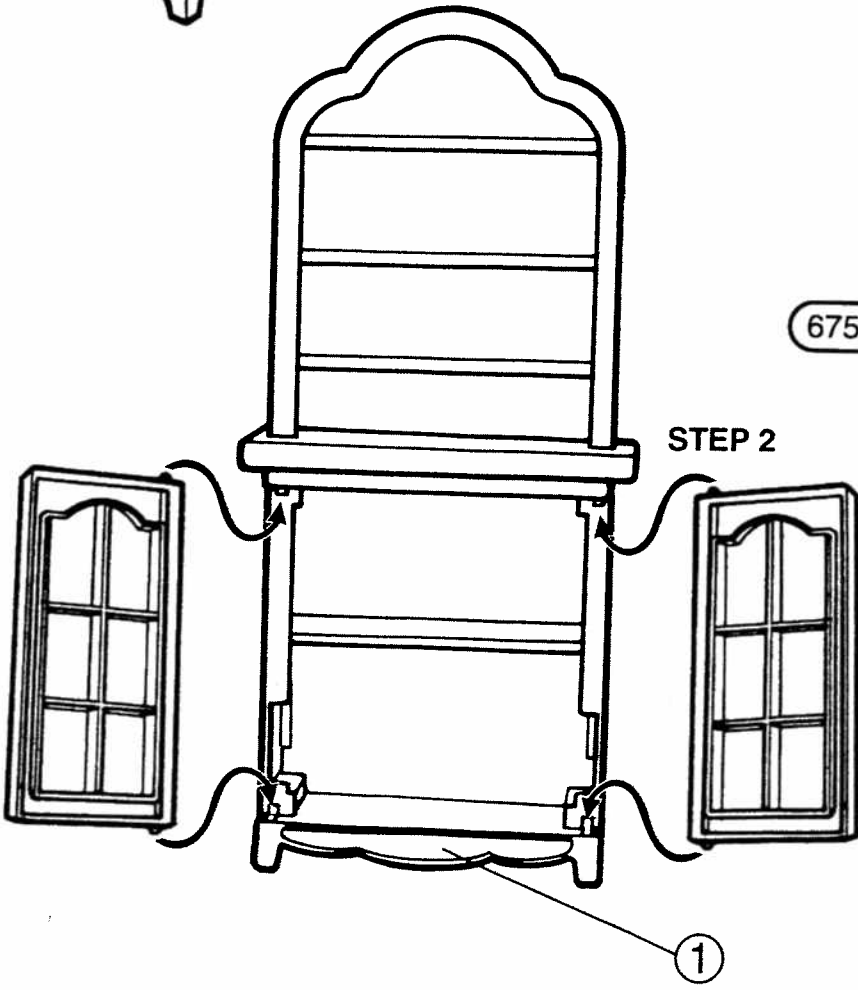
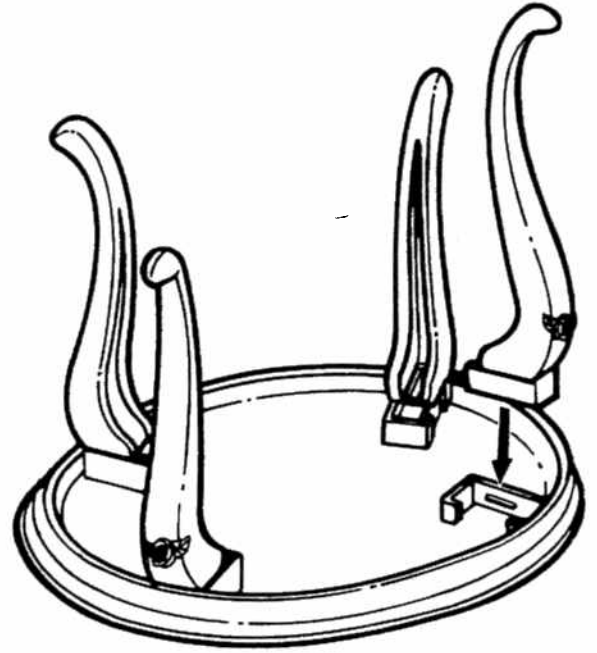
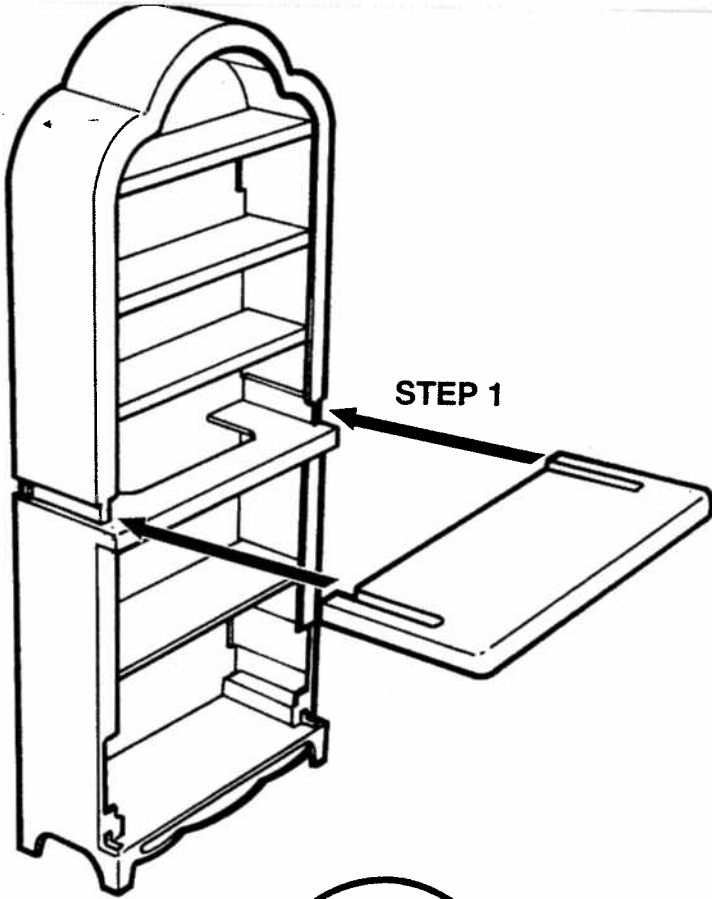
BACK VIEW



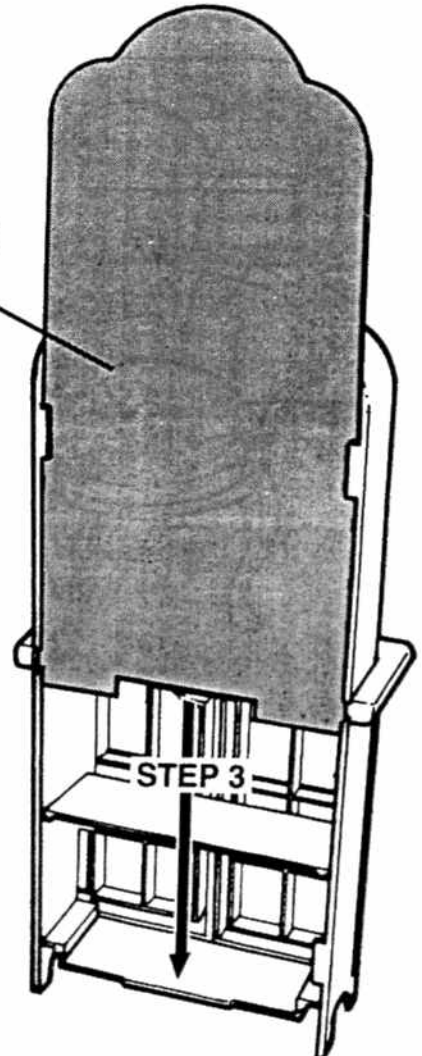
© 1998 Mattel, Inc. All Rights Reserved.
® and TM designate U.S. trademarks of Mattel, Inc.

WARNING:
CHOKING HAZARD - Small parts.
Not for children under 3 years.

67551-94-0700400
PRINTED IN CHINA



67551-92-1



1 © 1997 Mattel, Inc. All Rights Reserved. 67551-92-070420 PRINTED IN CHINA

This toy is designed to be assembled one time only.