



CAUTION-ELECTRIC TOY - NOT RECOMMENDED FOR CHILDREN UNDER 8 YEARS OF AGE. AS WITH ALL ELECTRIC PRODUCTS, PRECAUTIONS SHOULD BE OBSERVED DURING HANDLING AND USE TO PREVENT ELECTRIC SHOCK.

INPUT: 120VAC, 60Hz, 12VA. OUTPUT: 8.5VDC, 420mA, 3.6W.

7.2V R/C



**TYCO R/C SUPPORT
REGISTER YOUR
VEHICLE 2 WAYS!**

Online...or toll-free!

tyco.com
1-888-557-TYCO (8926)

If you have questions or problems with your vehicle,
DON'T RETURN IT TO THE STORE...
get help from the EXPERTS! Just click or call.

Keep these instructions for future reference; they contain important information.

IMPORTANT: Please read all "Consumer Information" (last page) before operating your vehicle.

CAUTION: Surfaces may become hot and cause burns if electronics get wet. Do not operate vehicle through water or snow.

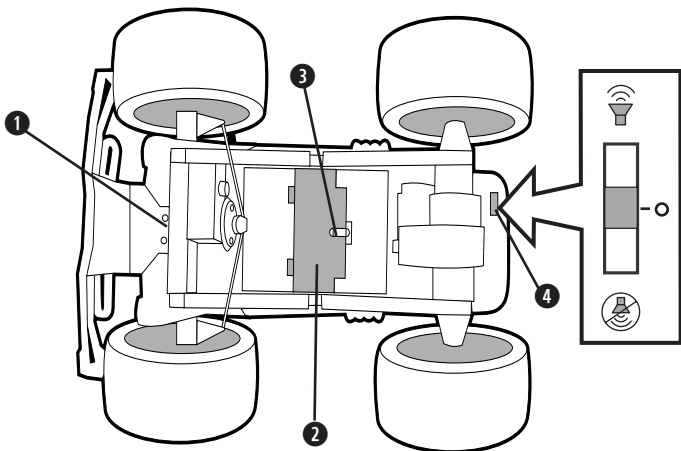
CONTENTS

Vehicle
Transmitter
7.2V Battery Pack
7.2V Charger
9V Battery

CHASSIS

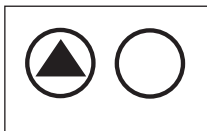
Refer to label on transmitter and vehicle for frequency. Do not race vehicles with the same frequency.

- ❶ Steering Adjuster
 - ❷ Battery Door
 - ❸ Battery Latch
 - ❹ ON/OFF/SOUND Switch
- Switch Positions:
- = OFF
 - 🔊 = ON (no engine sounds)
 - 🔊 = ON (engine sounds)

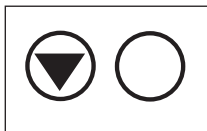


VEHICLE OPERATION

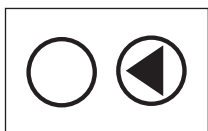
FORWARD



REVERSE



LEFT



RIGHT




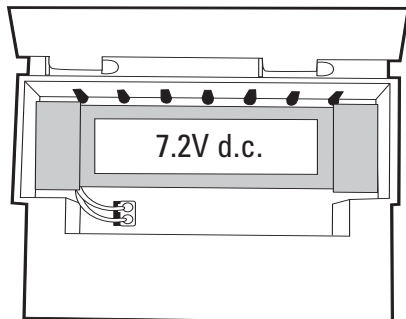
POWER SYSTEMS

Please follow the specific instructions on the next page for detailed information regarding NiCd vehicle battery charging and safety.

VEHICLE BATTERY INSTALLATION

1. Rotate battery latch to open position. Open battery door.
2. Insert battery pack into battery compartment as shown.
3. Plug wire connector securely into battery compartment as shown.
4. Close battery door. Rotate battery latch to locked position.
5. To remove battery pack: turn latch, open battery door, unplug wire connector and lift battery out.

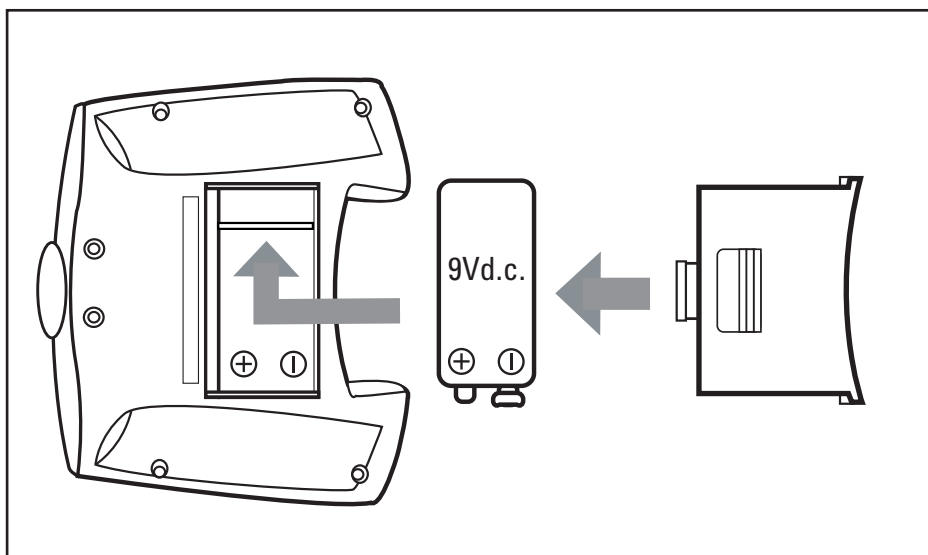
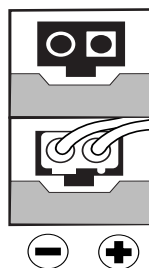
 The battery door is designed to be removable. If it comes off the hinges, simply reattach it.



TRANSMITTER BATTERY INSTALLATION

Your transmitter uses a 9v/6LR61 battery. It's equipped with a special automatic-on battery-saving feature. Just turn your vehicle ON. Then push either control and you will be able to run and control your vehicle.

1. Open battery door as shown.
2. Install one 9V battery with polarity (+/-) as shown inside battery compartment.
3. Close battery door.



NiCd BATTERY INFORMATION

Please follow these instructions regarding NiCd vehicle battery charging and safety. Use charger only under adult supervision.

BATTERY CHARGING/CARE — 7.2V TURBO® BATTERY

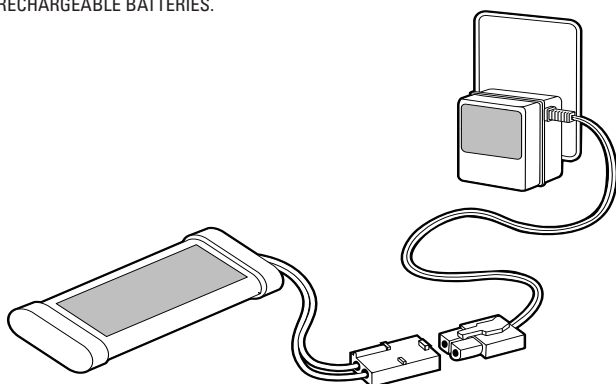
1. Plug wall pack charger into standard 110/120 volt outlet.
2. Connect the wires leading from the battery pack to the wall pack charger connector. Make certain the two connectors are tightly snapped together.
3. To disconnect wires, push down on the connector clip and pull apart.
4. Your battery pack consists of new parts and materials; therefore, you should charge the battery pack for 5 1/2 hours the first two times you charge the battery. Subsequent charges will require only 4 hours.
5. After charging for 4 hours, the battery will feel warm. This condition is normal for fully charged batteries.
6. Charging the battery pack for more than 4 hours will not give you a longer running time. 4 hours is all that is required for a fully charged battery pack.
7. Unlike alkaline batteries, where the power loss is gradual, a NiCd (nickel-cadmium) battery will run for its normal running time, depending on your particular vehicle, and then lose most of its power at once. It is time to recharge the battery pack. Running time will vary, depending upon which R/C vehicle you have.
8. After use, the battery pack will be hot! Wait at least 20 minutes until the battery pack cools before recharging. Recharging a warm or hot battery pack will greatly reduce the number of times your battery pack can be recharged.

RECHARGEABLE BATTERY INFORMATION:

- ✘ DO NOT RECHARGE BATTERY PACK IF IT'S HOT. ALLOW IT TO COOL BEFORE RECHARGING.
- ✘ DO NOT RECHARGE A BATTERY PACK THAT SHOWS LEAKAGE OR CORROSION.
- ✘ DO NOT DISASSEMBLE THE BATTERY PACK. THE BATTERY PACK IS A SEALED RECHARGEABLE NICKEL-CADMIUM BATTERY.
- ✘ DO NOT DISPOSE OF THE BATTERY PACK IN FIRE.
- ✘ EXERCISE CAUTION IN HANDLING A HOT BATTERY PACK.
- ✘ IF BATTERY PACK AND/OR CHARGER ARE WET, THOROUGHLY DRY BEFORE CHARGING.
- ✘ DO NOT RECHARGE NON-RECHARGEABLE BATTERIES.

Note to Adults:

- Remove rechargeable batteries before recharging. Recharge batteries only under adult supervision.
- Regularly examine for damage to the plug, enclosure and other parts. In the event of any damage, the toy must not be used with the transformer until the damage has been repaired.
- This toy is not intended for children under 8 years old. The transformer is not a toy.



⚠ CAUTION: Use only the charger supplied with this toy. Do not use any other charging source.



THIS PRODUCT USES A NICKEL-CADMIUM RECHARGEABLE BATTERY PACK. BATTERY MUST BE RECYCLED OR DISPOSED OF PROPERLY. FOR FURTHER INFORMATION REGARDING BATTERIES OR THEIR DISPOSAL PLEASE CALL 1-888-557-TYCO.

CONSUMER INFORMATION :

IMPORTANT:

Please read before operating your vehicle.

SAFETY INFORMATION

Note to Adults: To ensure that the child's play is both safe and fun, please review all operating instructions and safety rules with your child.

Safety Tips

- NEVER drive your vehicle on streets! They're for real cars!
- DO NOT pick up vehicle while in motion.
- Keep fingers, hair and loose clothing away from the tires and the wheel hubs while the vehicle is switched ON.
- Adult supervision is recommended when this vehicle is being operated.

- To avoid accidental operation, remove all batteries when not in use.

BATTERY SAFETY INFORMATION

Batteries may leak fluids that can cause a chemical burn injury or ruin your toy (product). To avoid battery leakage:

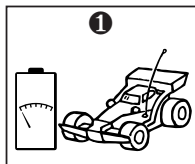
- Do not mix old and new batteries or batteries of different types: alkaline, standard (carbon-zinc) or rechargeable (nickel-cadmium).
- Insert batteries as indicated inside the battery compartment.
- Remove batteries during long periods of non-use. Always remove exhausted batteries from the toy (product). Dispose of batteries safely. Do not dispose of batteries in

- a fire. The batteries may explode or leak.
- Never short-circuit the battery terminals.
- Use only batteries of the same or equivalent type, as recommended.
- Do not charge non-rechargeable batteries.
- Remove rechargeable batteries from the toy (product) before charging.
- If removable, rechargeable batteries are used, they are only to be charged under adult supervision.

Battery Performance Note:

For best performance use alkaline batteries (where disposable batteries are called for). If your vehicle is supplied with standard (carbon-zinc) batteries for initial use and/or demonstration purposes, we recommend replacing them with alkaline batteries when necessary. Battery life may vary depending on battery brand.

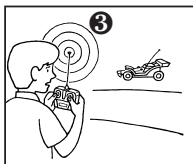
QUICK TIPS



1 When your vehicle starts to lose power, it may lose functions or performance. It's time for a recharge. Your vehicle's running time may change depending on your driving style.



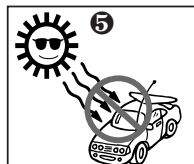
2 Radio interference can make your vehicle run badly. Interference can be caused by other R/C vehicles running on the same frequency; electrical wires; large buildings; or CB radios. Try to stay away from these!



3 Point your transmitter antenna up - not down toward your vehicle. If your vehicle gets too far away, it won't work properly.



4 Don't drive your vehicle in sand or through water or snow.



5 Don't store your vehicle near heat or in direct sunlight. Always turn switches OFF and remove all batteries for storage.

TROUBLESHOOTING - PROBLEM? - SOLUTIONS

SYMPTOM	PROBABLE CAUSE	CORRECTION
Vehicle runs slowly or will not run.	<ul style="list-style-type: none"> • Loose battery connection or vehicle switch not ON. • Weak or uncharged rechargeable NiCd battery. • Weak transmitter battery. 	<ul style="list-style-type: none"> • Check battery connector and vehicle switch. • Charge battery or replace. • Replace with fresh alkaline battery.
Power indicator light on transmitter does not light.	<ul style="list-style-type: none"> • Transmitter battery weak or not connected. 	<ul style="list-style-type: none"> • Check connections and replace battery if required.
Erratic operation or only short range possible.	<ul style="list-style-type: none"> • Radio interference likely. 	<ul style="list-style-type: none"> • Change location - see Point 2, "Quick Tips."
Vehicle doesn't work after going through water or snow.	<ul style="list-style-type: none"> • Water in the electronics area. 	<ul style="list-style-type: none"> • Vehicle will take several hours to dry. Allow to dry thoroughly overnight before trying again. • Avoid driving in water or snow.

90-DAY LIMITED WARRANTY - TYCO® R/C PRODUCTS

Mattel, Inc. warrants to the original consumer purchaser that this product will be free of defects in material and workmanship for ninety (90) days (unless specified in alternate warranties) from the date of purchase. Mattel will replace the product in the event of such a defect within the warranty period. In the event of a defect covered under this warranty, first call the toll-free number listed below. Many problems can be solved in this manner. If necessary, you will be instructed to return the product, postage prepaid and insured, to the address below. Enclose your name, address, dated sales receipt, and a brief explanation of the defect. Replacement and return shipment will be free of charge.

This warranty does not cover damage resulting from unauthorized modification, accident, misuse or abuse. If the product is returned without a dated sales receipt the product may be excluded from coverage under this warranty.

Mattel's liability for defects in material and workmanship under this warranty shall be limited to replacement, and in no event shall we be responsible for incidental, consequential, or contingent damages (except in those states that do not allow this exclusion or limitation). This warranty is exclusive, and is made in lieu of any express or implied warranty. **Valid only in U.S.A.** This warranty gives you specific legal rights and you may have other rights, which vary from state to state. Some states do not allow the exclusion of incidental or consequential damages, so the above exclusions or limitations may not apply to you.

TOLL-FREE NUMBER: 1-888-557-TYCO (8926) (**valid only in U.S.A.**) Hours: 8:00 A.M. - 5:00 P.M. Eastern Time; Monday - Friday. Expect some delay in January following the holiday season. Please be patient and keep trying the toll-free number. ADDRESS FOR RETURNS: CONSUMER RELATIONS, 636 GIRARD AVENUE, EAST AURORA, NY 14052

©2003 Mattel, Inc., Mt. Laurel, NJ 08054 U.S.A. **PRINTED IN CHINA.** All Rights Reserved. ® and ™ designate U.S. trademarks of Mattel, Inc.

Retain this address for future reference: Mattel U.K. Ltd., Vanwall Business Park, Maidenhead SL6 4UB. Helpline 01628500303. Mattel Australia Pty Ltd., Richmond, Victoria 3121 - Consumer Advisory Service: 1300 135 312. Mattel East Asia Ltd, Room 1106, South Tower, World Finance Centre, Harbour City, Tsimshatsui, HK, China. Dimport & Diedardkan Oleh: Mattel SEA Ptd Ltd. (993532-P) Lot 13.5, Menara Lien Hoe, Persiaran Tropicana Golf Country Resort,

47410 P.J. Tel: 03-78803817, Fax: 03-78803867.

COMPLIANCE WITH FCC REGULATIONS (VALID IN U.S. ONLY - VALABLE AUX E.-U. SEULEMENT)

This device complies with part 15 of the FCC Rules. Operation is subject to the following two conditions: (1) This device may not cause harmful interference, and (2) this device must accept any interference received, including interference that may cause undesired operation.

This device generates and uses radio frequency energy and if not used properly may cause interference to radio and television reception. It has been tested and found to comply with the limits set by the FCC which are designed to provide reasonable protection against such interference.

NOTE: Changes or modifications not expressly approved by the manufacturer responsible for compliance could void the user's authority to operate the equipment.