

Fisher-Price®

Model Number 72028

Big Action™ Construction



Product features may vary slightly from the picture above.

Please keep this instruction sheet, as it contains important information.

Adult assembly is required.

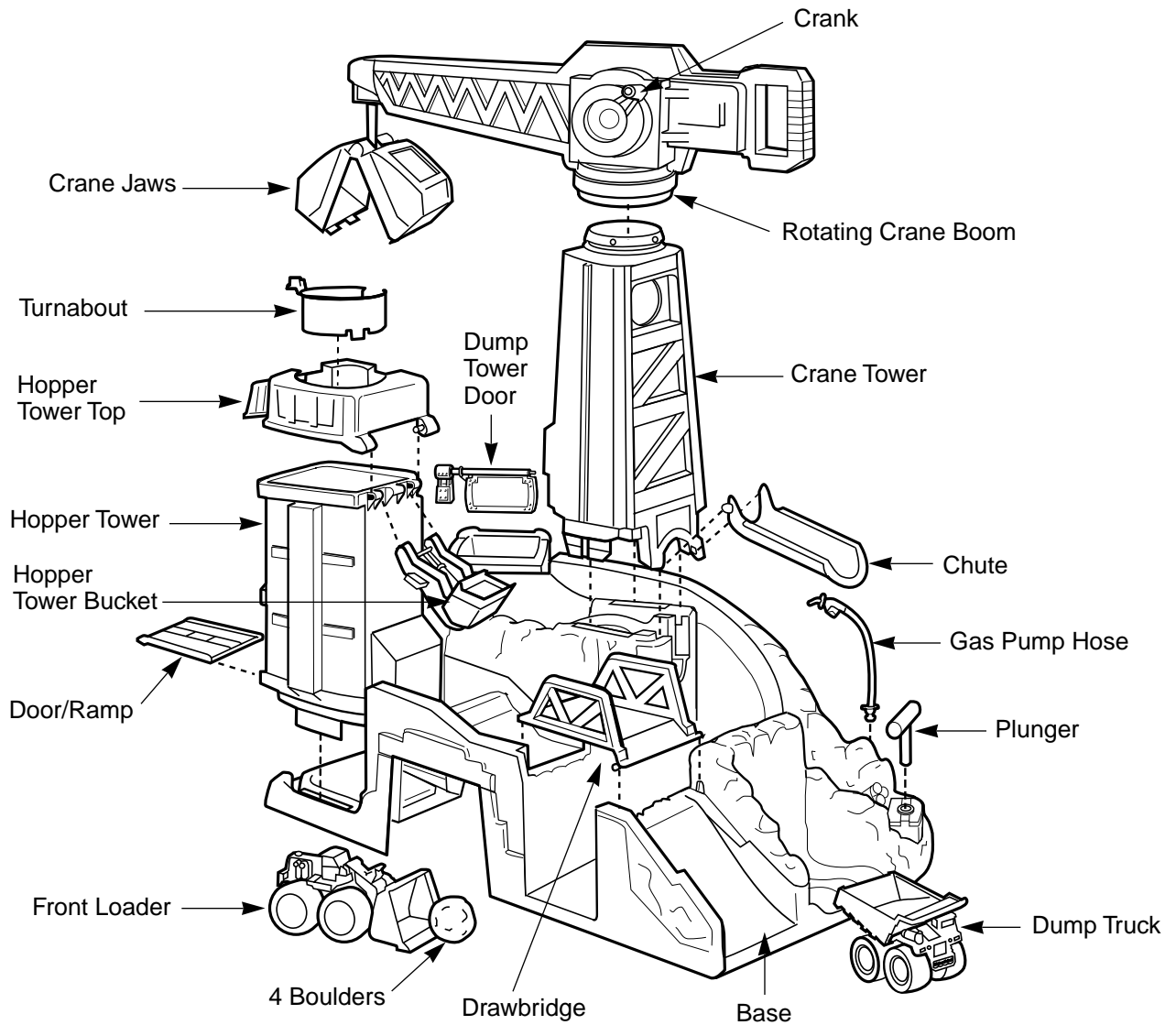
No tools are needed for assembly.

Questions? We'd like to hear from you!

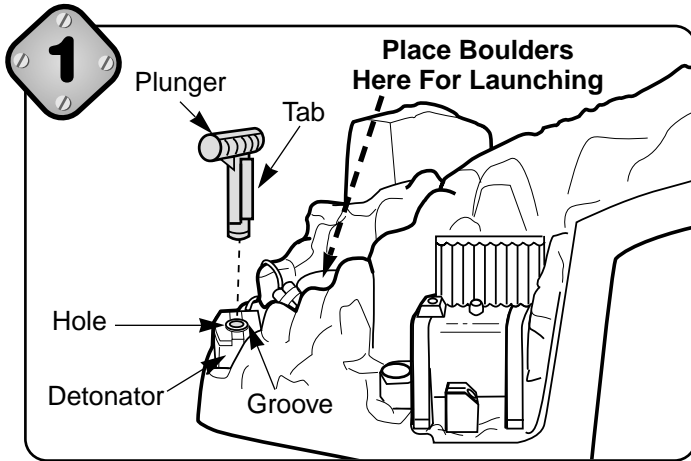
Call Fisher-Price® Consumer Relations, toll-free at **1-800-432-KIDS**, 8 AM - 6 PM EST Monday through Friday. Hearing-impaired consumers using TTY/TDD equipment, please call 1-800-382-7470. Or, write to: Fisher-Price® Consumer Relations, 636 Girard Avenue, East Aurora, New York 14052.

www.fisher-price.com

Parts



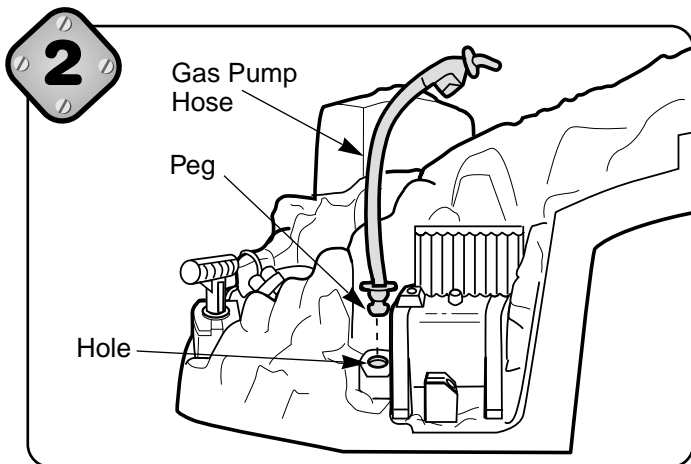
Assembly and Use



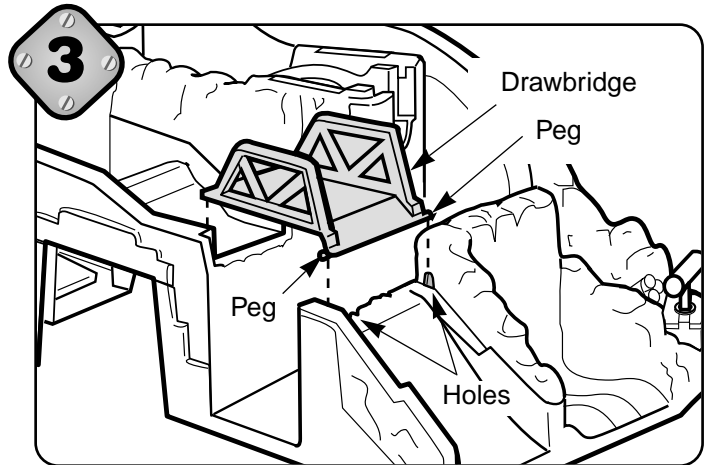
- Align the tab on the plunger stem with the groove in the hole in the top of the detonator.
- Push the plunger into the hole until it "snaps" into place.
- You can launch the boulders after assembling the plunger. To launch the boulders, place them in the opening in the base and push the plunger down to send them flying!

⚠ CAUTION

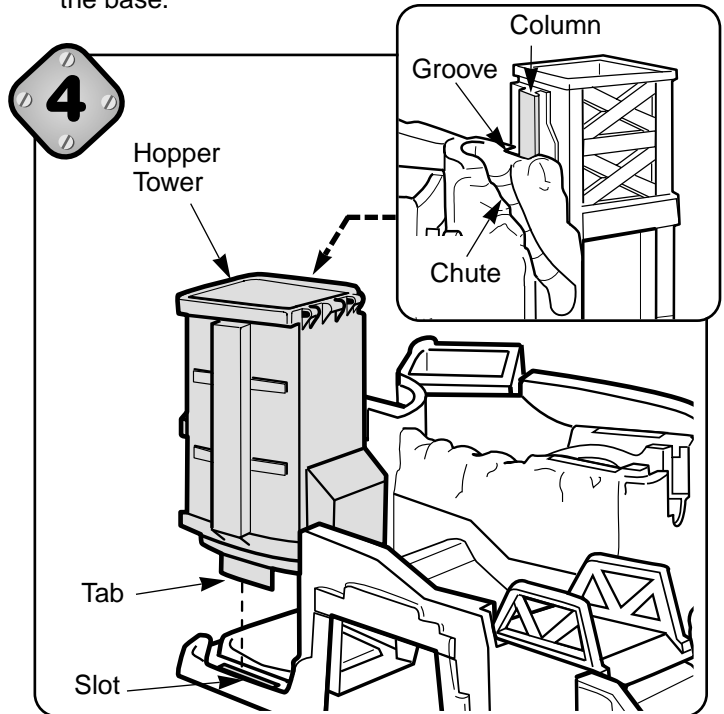
- Do not launch the boulders at point blank range.
- Use only the boulders supplied with this toy.



- Insert and "snap" the peg on the end of the gas pump hose into the hole in the base.



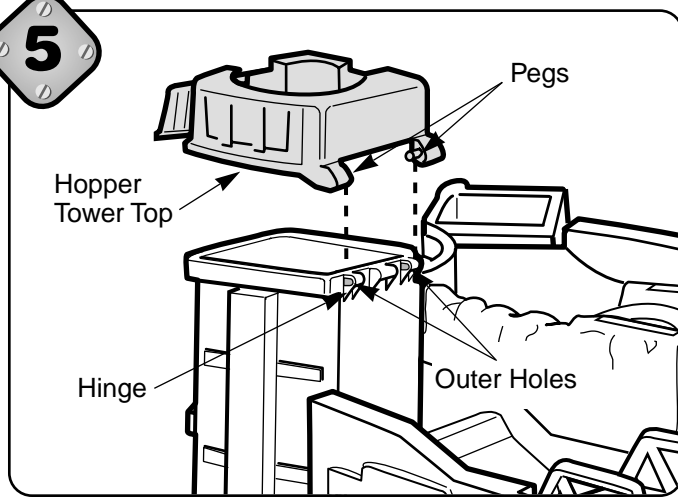
- At an angle, insert a peg on the drawbridge into one of the holes in the base.
- Then, fit the other drawbridge peg into the other hole in the base.



- Position the hopper tower so that the doorway faces out.
- Insert the column on the side of the hopper tower into the groove near the chute in the base (see inset).
- Align the tabs on the bottom of the hopper tower with the slots in the base.
- Press down to "snap" the hopper tower into place.

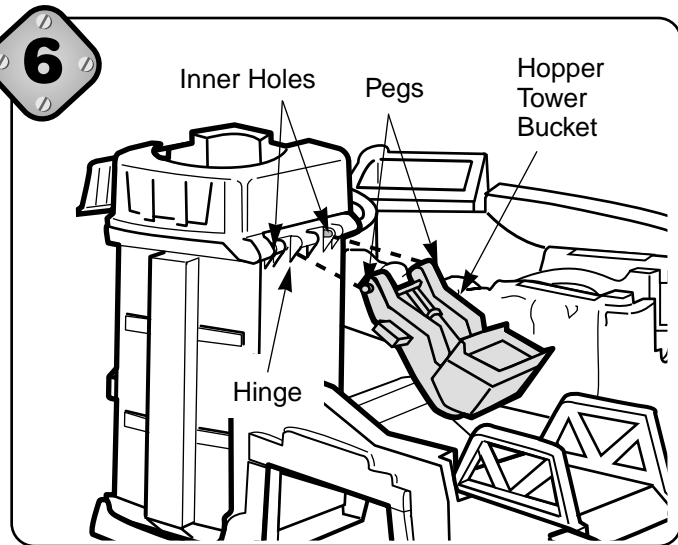
Assembly and Use

5



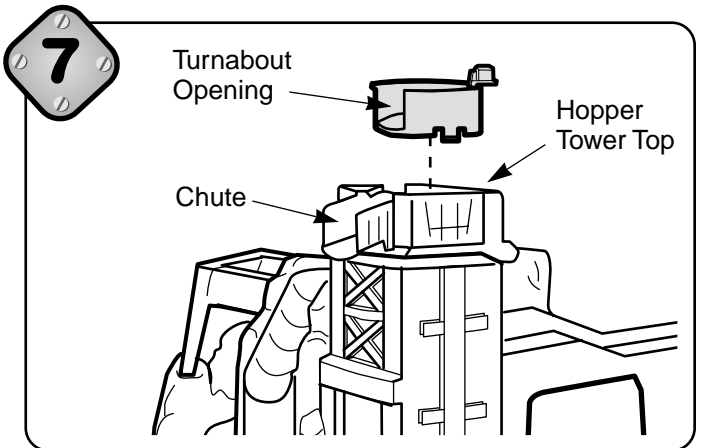
- Fit the pegs on the hopper tower top into the outer holes in the hopper tower hinge.

6



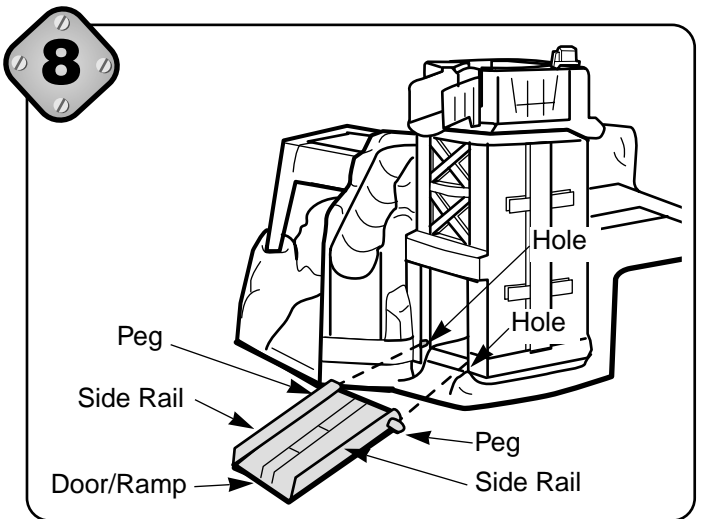
- Fit the pegs on the hopper tower bucket into the inner holes in the hopper tower hinge.

7



- Align the opening in the turnabout with a chute in the hopper tower top and "**snap**" the turnabout down into place.
- Slide the turnabout to send a boulder down either chute in the hopper tower top!

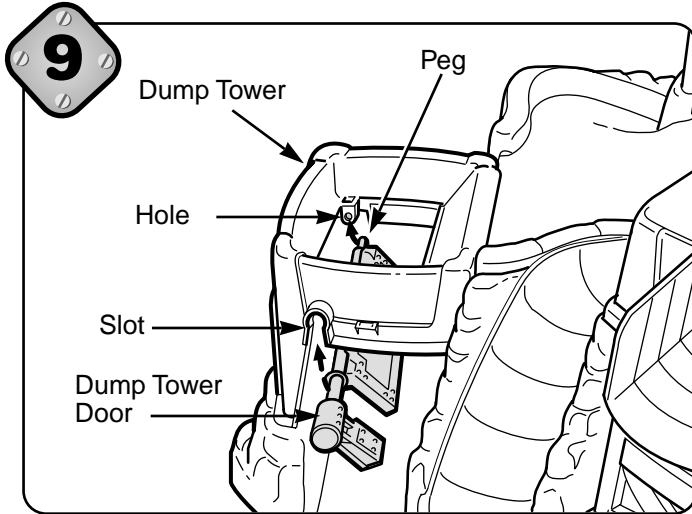
8



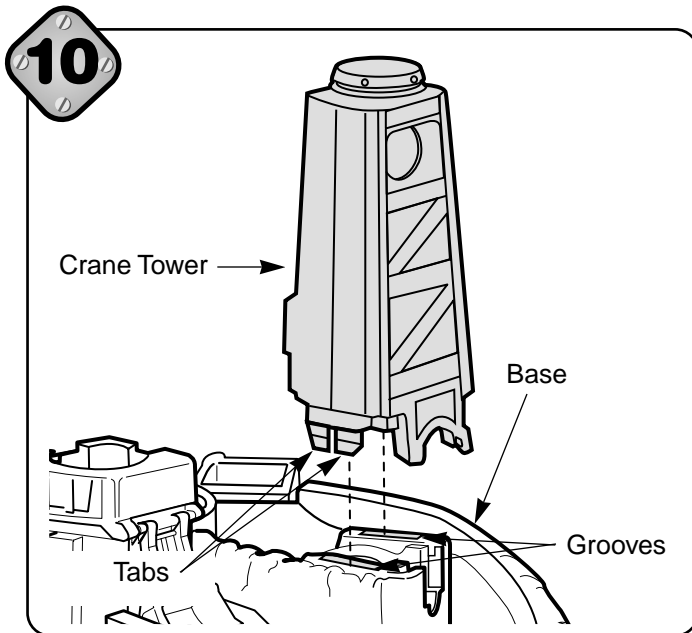
- Position the door/ramp so that the side rails are upright.
- Insert a peg on the door/ramp into a hole in the door opening.
- Insert and "**snap**" the other door/ramp peg into the other hole in the door opening.
- Rotate the door up to close, or down to use it as a ramp.

***Hint:** After a busy day, store the vehicles and boulders inside the hopper tower. Then, rotate the door up to close.*

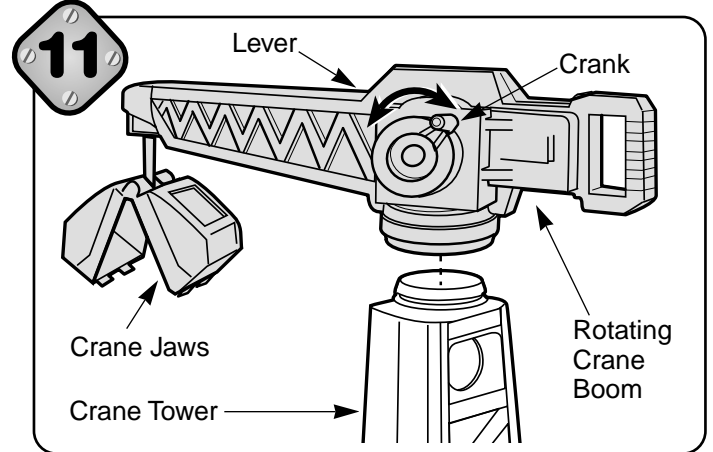
Assembly and Use



- Insert the peg on the dump tower door into the hole in the dump tower.
- **"Snap"** the hinge on the dump tower door into the slot in the dump tower.

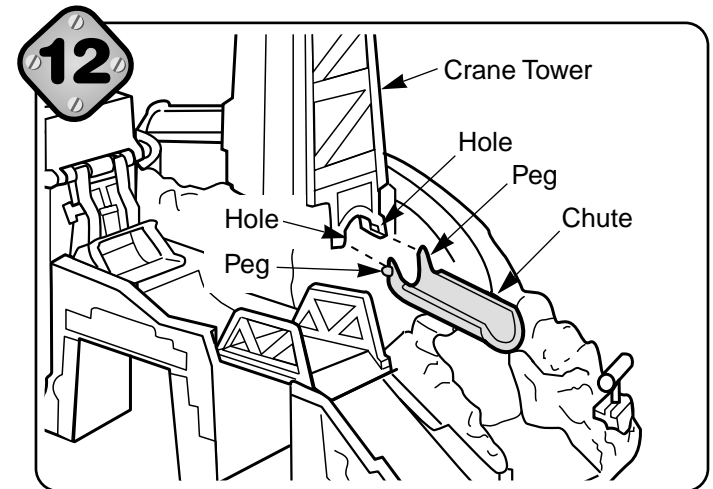


- Align the tabs on the bottom of the crane tower with the grooves in the base.
- Insert and press down to **"snap"** the crane tower into place.



- Fit the rotating crane boom onto the top of the crane tower.
- Use the crank on either side of the rotating crane boom to raise or lower the crane jaws!
- Push the lever toward the crane jaws to open them when the jaws are cranked all the way to the top. Open and close the jaws by hand in any position.

Note: The rotating crane boom is designed to break away from the crane tower. If it detaches from the crane tower, simply reattach it.

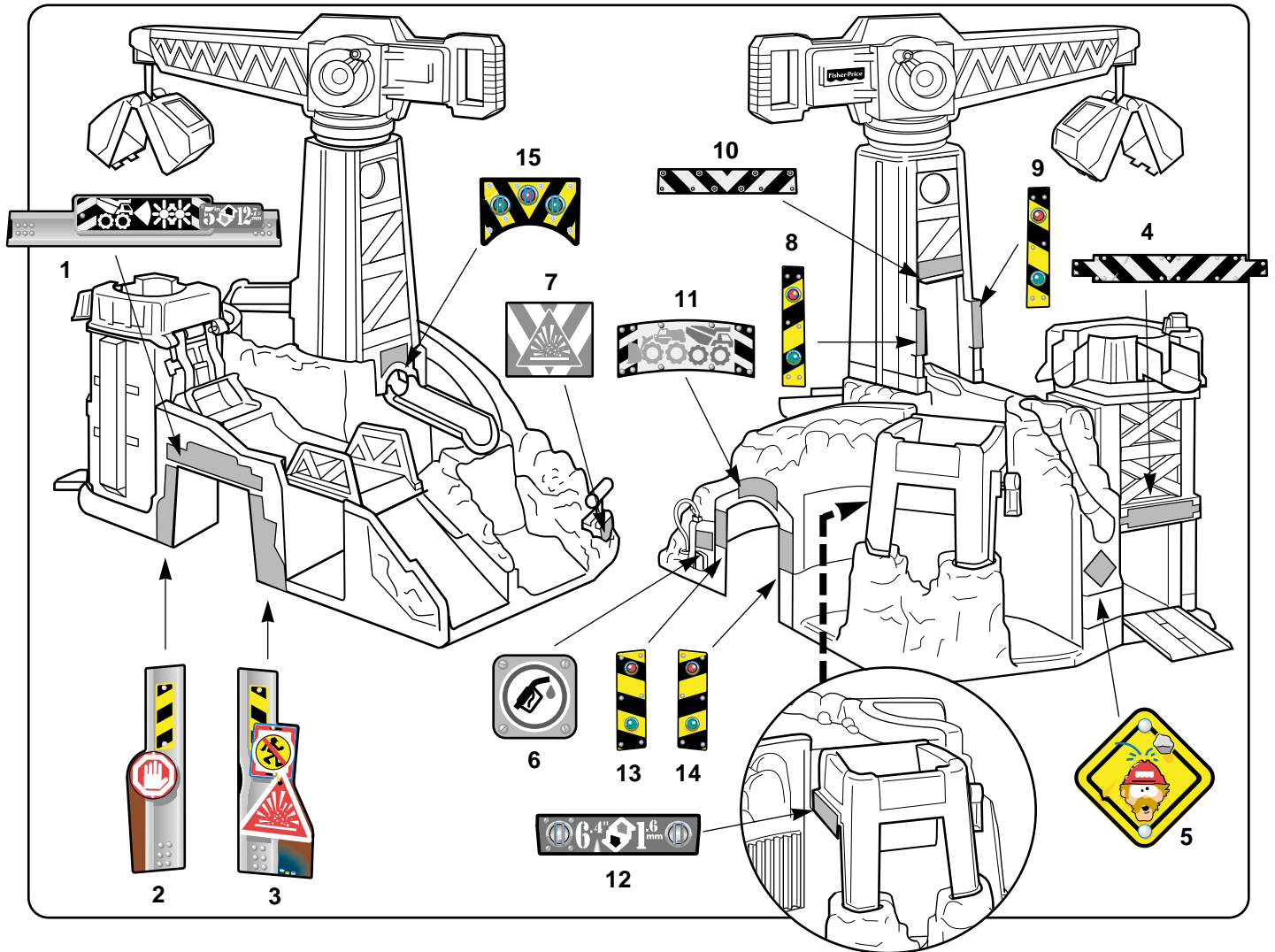


- Insert a peg on the chute into the hole in the crane tower.
- Insert and **"snap"** the other chute peg into the other hole in the crane tower.

One-time assembly is now complete.

Label Decoration

- Make sure the areas where the labels will be applied are clean and dry.
- Apply the labels as indicated in the illustration.
- For best adhesion, avoid applying the labels more than once.



For other countries, outside the United States: **Canada:** call 1-800-567-7724, or write to: Mattel Canada Inc, 6155 Freemont Blvd., Mississauga, Ontario L5R 3W2.

Great Britain: telephone 01628 500303, **Australia:** Mattel Australia Pty. Ltd., 658 Church Street, Locked Bag #870, Richmond, Victoria 3121 Australia. Consumer Advisory Service 1300 135 312.

New Zealand: 16-18 William Pickering Drive, Albany 1331, Auckland.

Fisher-Price, Inc., a subsidiary of Mattel, Inc., East Aurora, NY 14052 U.S.A.

© 2001 Mattel, Inc. All Rights Reserved. ® and ™ designate U.S. trademarks of Mattel, Inc.

72028b-0920

Printed in U.S.A.