

**Fisher-Price®**

Instructions

# Little People® Fun Park

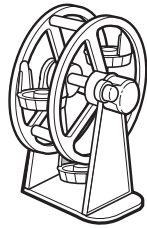
Model Number: 72560



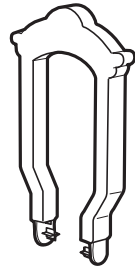
Please keep these instructions for future reference.  
Tool needed for assembly: Phillips Screwdriver (not included).



## Parts



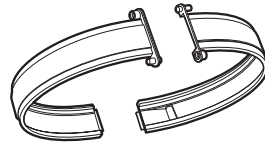
Ferris Wheel



Arch



Gate



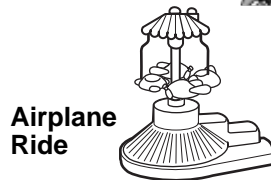
2 Loop-the-Loop Tracks



Ramp

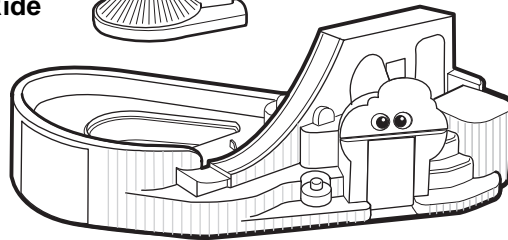


2 Ramp Cards



Airplane Ride

Base



**Parts Not Shown:**  
Label Sheet, 2 Cars, 2 Little People® Figurines

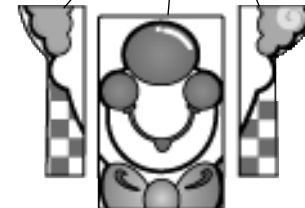
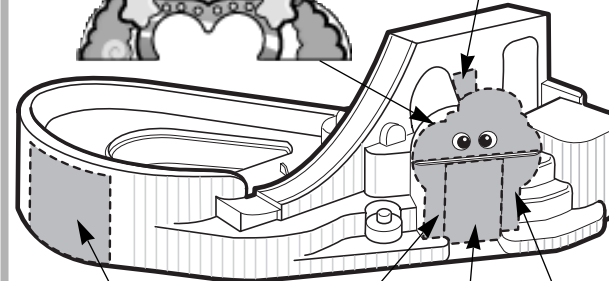
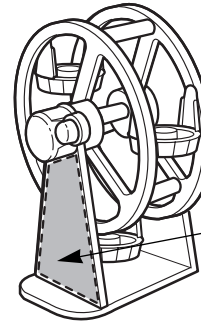


#8 x 1/2" Screw - 2  
**Shown Actual Size**

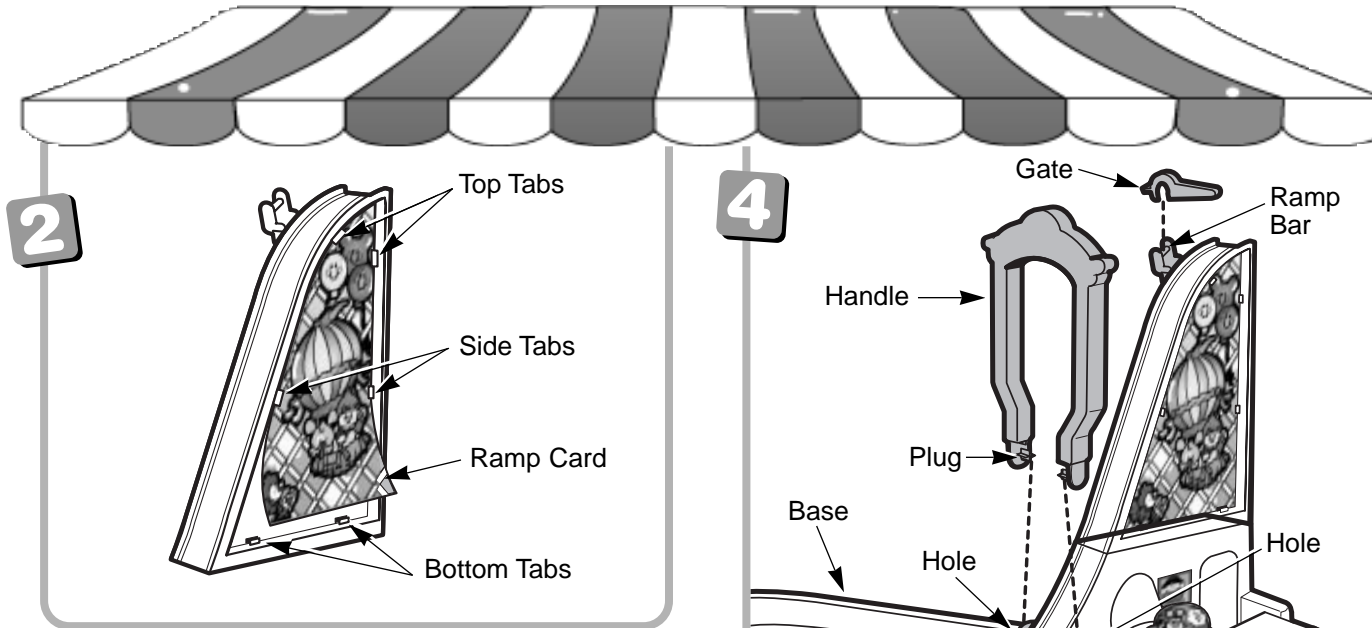
## ⚠ CAUTION

This package contains small parts.  
Adult assembly is required.

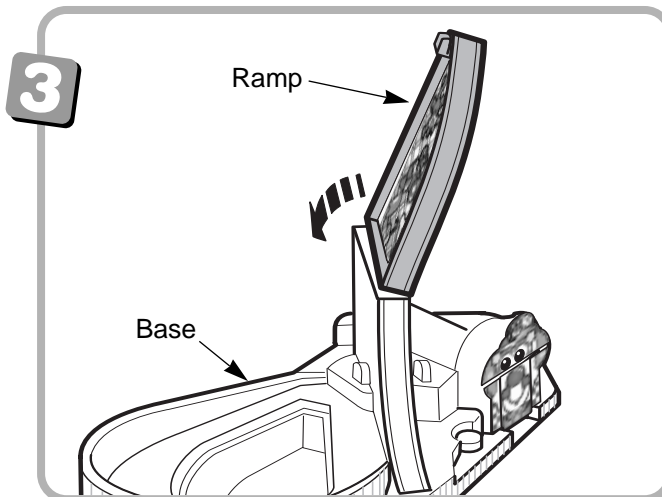
## 1 Assembly



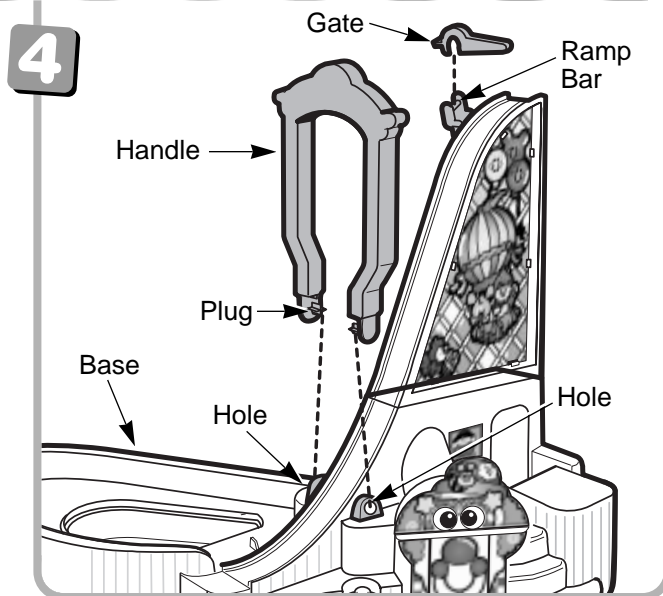
- Make sure the areas where the labels will be applied are clean and dry.
- Apply the labels as indicated in the illustration.
- For best results, avoid applying the labels more than once.



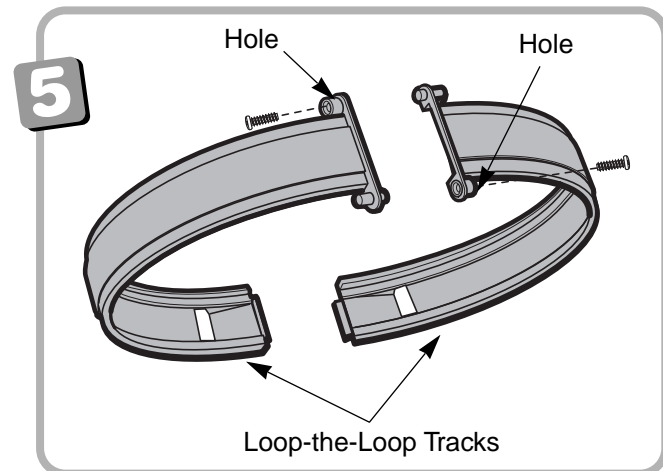
- Slide one of the ramp cards under the top and side tabs on the ramp.
- While slightly bending the bottom of the ramp card, fit it under the bottom tabs on the ramp.
- Repeat this procedure to attach the other ramp card to the other side of the ramp.



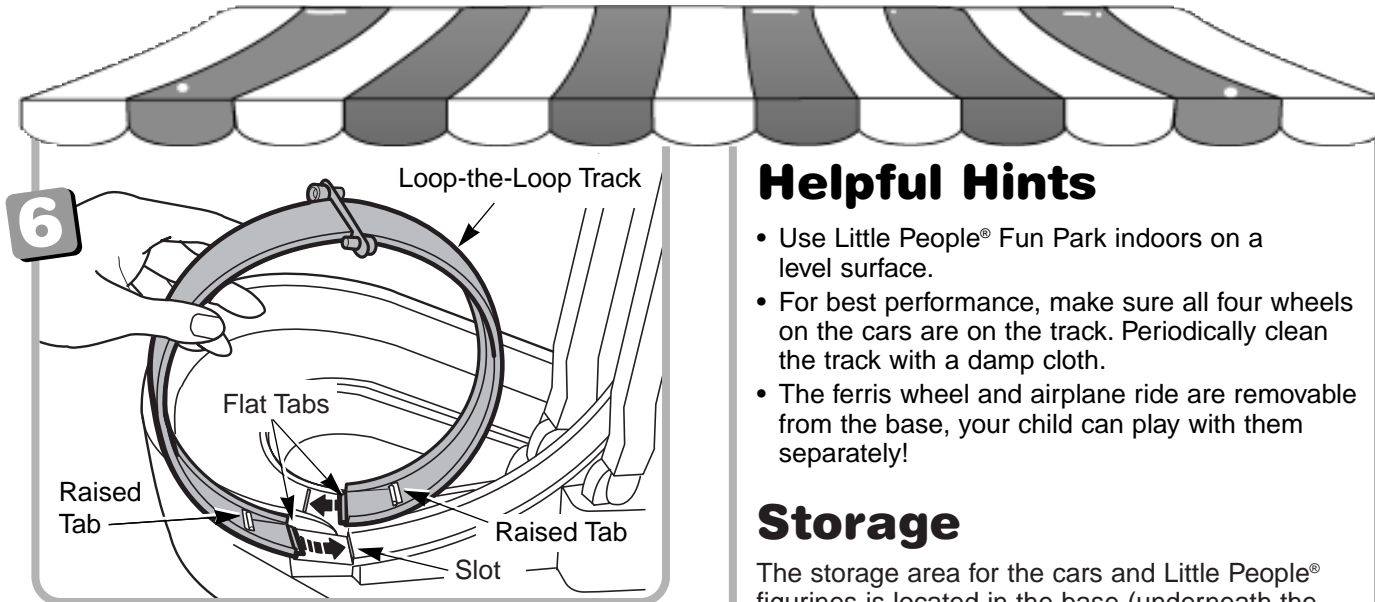
- Position the ramp on the base at a slight angle, as shown.
- Lower and “snap” the other side of the ramp to the base.
- Pull up on the ramp to be sure it is secured to the base.



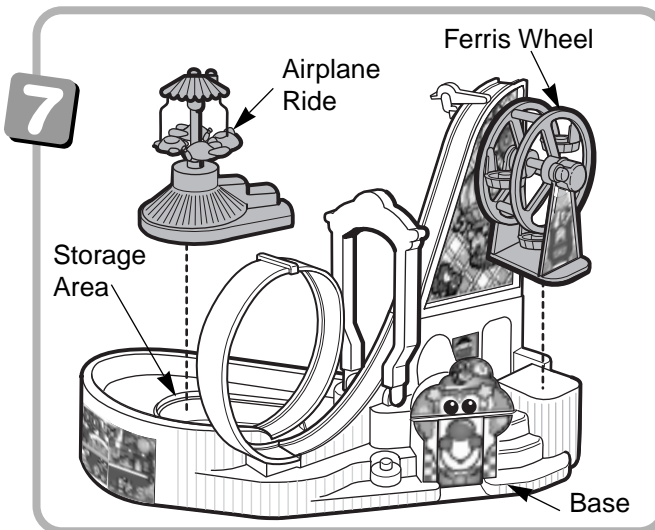
- Fit the gate to the ramp bar.
- Insert and snap one of the handle plugs into one of the holes in the side of the base.
- Insert and snap the other handle plug into the hole in the other side of the base.



- While holding the loop-the-loop track together, insert two screws into the tracks.
- Tighten the screws with a Phillips screwdriver. Do not over-tighten.



- Fit the flat tabs on the ends of the loop-the-loop track into the slots in the base.
- Hook the raised tabs underneath the loop-the-loop track to the tabs on the base.
- Pull up on the loop-the-loop track to be sure it is secure.



- Fit the ferris wheel onto the base to the side of the ramp.
- Fit the airplane ride onto the base in front of the ramp.

## Helpful Hints

- Use Little People® Fun Park indoors on a level surface.
- For best performance, make sure all four wheels on the cars are on the track. Periodically clean the track with a damp cloth.
- The ferris wheel and airplane ride are removable from the base, your child can play with them separately!

## Storage

The storage area for the cars and Little People® figurines is located in the base (underneath the airplane ride).

## Care

Periodically clean the track and both cars' axles and wheels. Rinse the underside of the cars with water while spinning the wheels.



Questions? We'd like to hear from you!

Call Fisher-Price® Consumer Affairs, toll-free at **1-800-432-KIDS**, 8 AM - 5 PM EST Monday through Friday. Hearing-impaired consumers using TTY/TDD equipment, please call 1-800-382-7470. Or, write to: Fisher-Price® Consumer Affairs, 636 Girard Avenue, East Aurora, New York 14052.

**CANADA**, Mattel Canada Inc., 6155 Freemont Blvd., Mississauga, Ontario L5R 3W2. Questions? 1-800-567-7724.

**GREAT BRITAIN**, Mattel U.K., Ltd., Helpline: 01628 500303.

**AUSTRALIA**, Mattel Australia Pty. Ltd., 658 Church Street, Locked Bag #870, Richmond, Victoria 3121 Australia. Consumer Advisory Service 1-800-800-812 (valid only in Australia).