

**Fisher-Price®**

Instructions

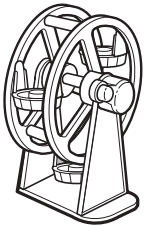
# Little People® Fun Park

Model Number: 72560

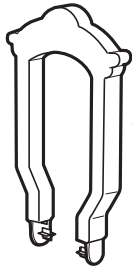


**Please keep these instructions for future reference.  
Tool needed for assembly: Phillips Screwdriver (not included).**

## Parts



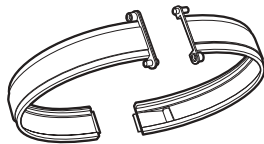
Ferris Wheel



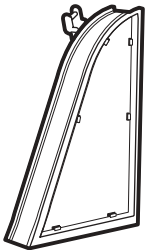
Arch



Gate



2 Loop-the-Loop Tracks



Ramp

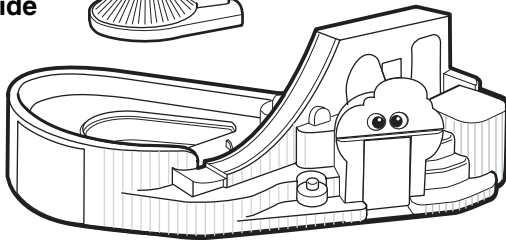


2 Ramp Cards



Airplane Ride

Base



### Parts Not Shown:

Label Sheet, 2 Cars, 2 Little People® Figurines



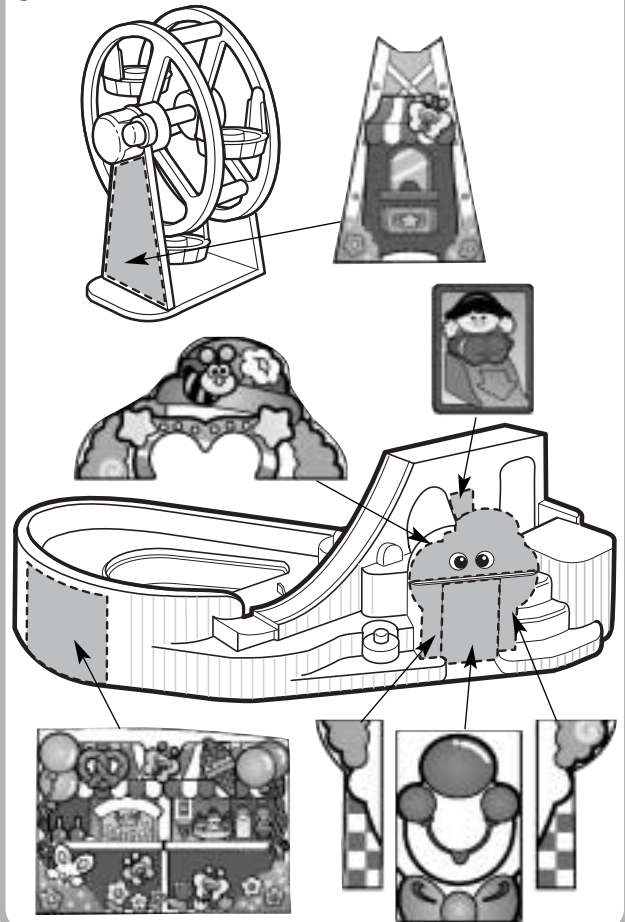
#8 x 1/2" Screw - 2

Shown Actual Size

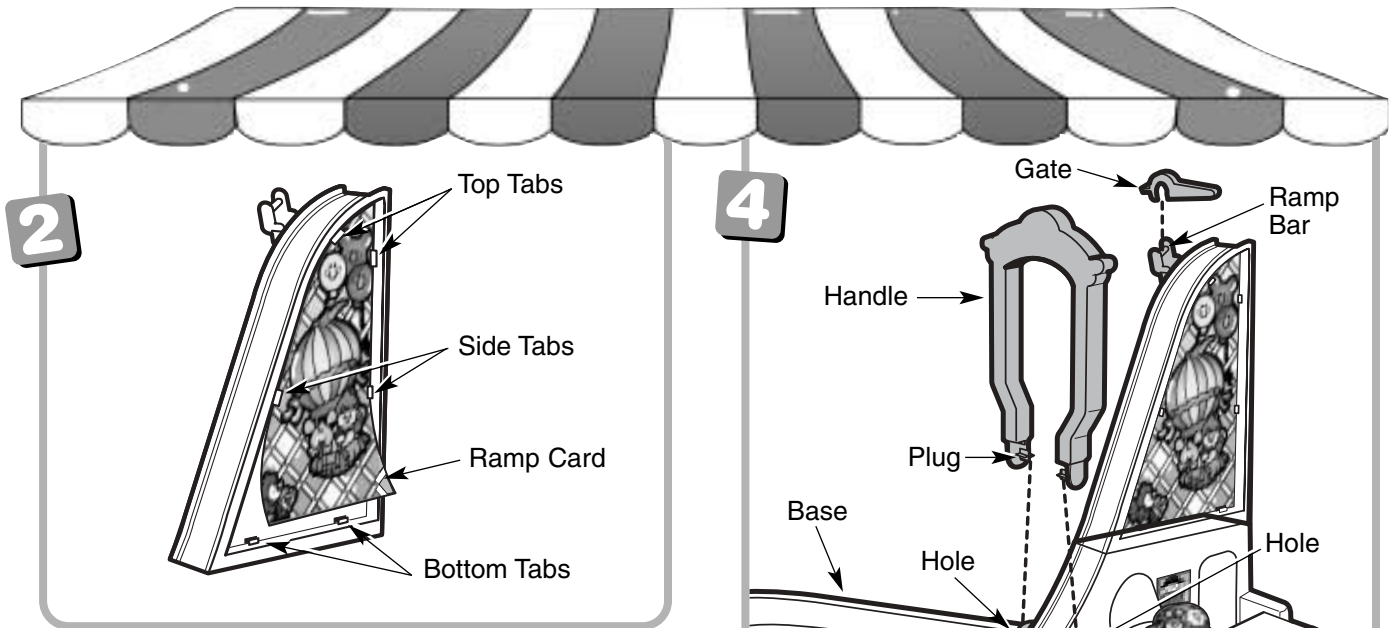
## ⚠ CAUTION

This package contains small parts.  
Adult assembly is required.

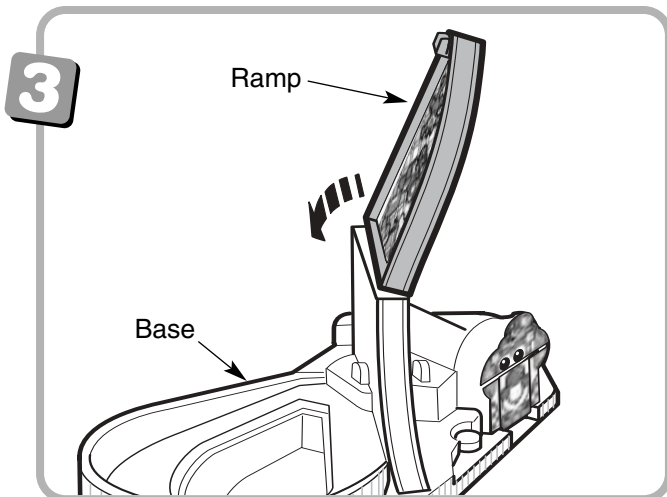
## 1 Assembly



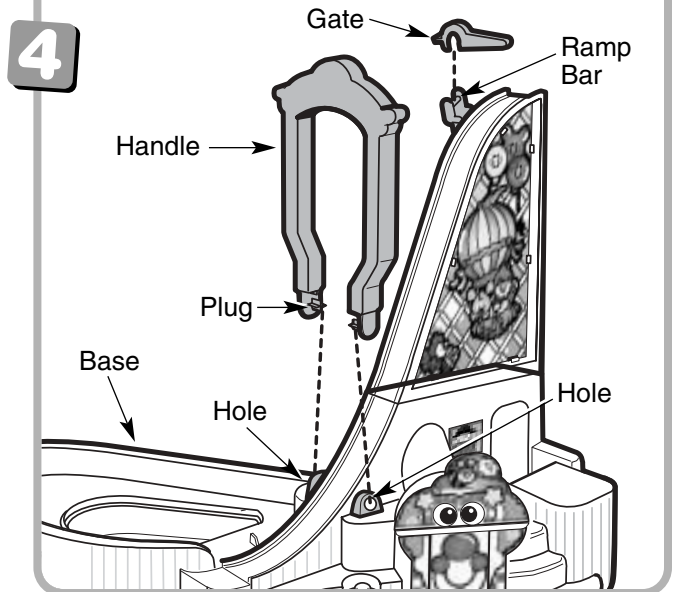
- Make sure the areas where the labels will be applied are clean and dry.
- Apply the labels as indicated in the illustration.
- For best results, avoid applying the labels more than once.



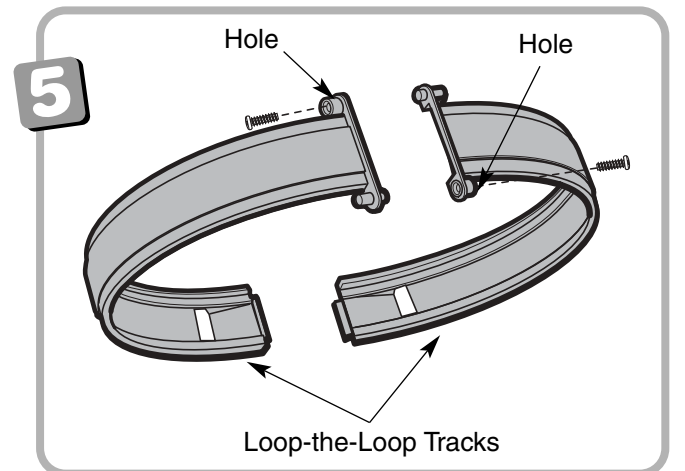
- Slide one of the ramp cards under the top and side tabs on the ramp.
- While slightly bending the bottom of the ramp card, fit it under the bottom tabs on the ramp.
- Repeat this procedure to attach the other ramp card to the other side of the ramp.



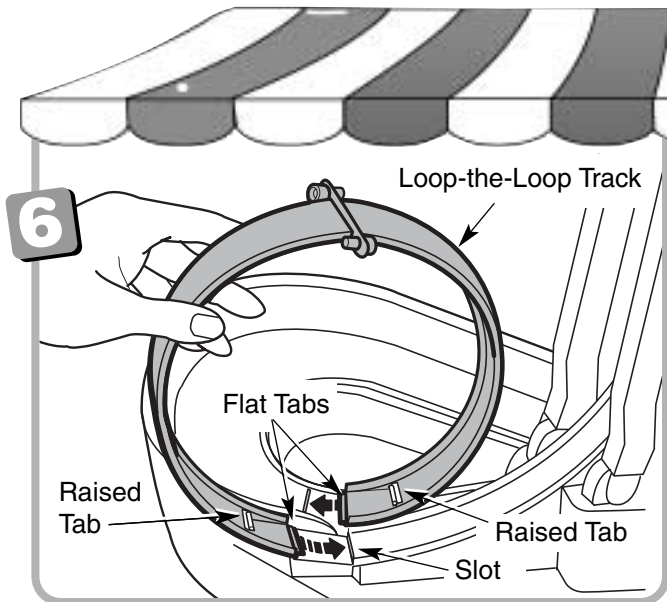
- Position the ramp on the base at a slight angle, as shown.
- Lower and “snap” the other side of the ramp to the base.
- Pull up on the ramp to be sure it is secured to the base.



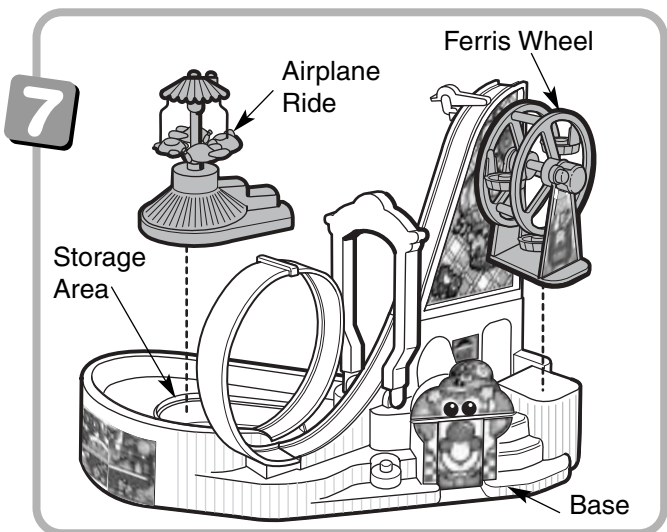
- Fit the gate to the ramp bar.
- Insert and snap one of the handle plugs into one of the holes in the side of the base.
- Insert and snap the other handle plug into the hole in the other side of the base.



- While holding the loop-the-loop track together, insert two screws into the tracks.
- Tighten the screws with a Phillips screwdriver. Do not over-tighten.



- Fit the flat tabs on the ends of the loop-the-loop track into the slots in the base.
- Hook the raised tabs underneath the loop-the-loop track to the tabs on the base.
- Pull up on the loop-the-loop track to be sure it is secure.



- Fit the ferris wheel onto the base to the side of the ramp.
- Fit the airplane ride onto the base in front of the ramp.

## Helpful Hints

- Use Little People® Fun Park indoors on a level surface.
- For best performance, make sure all four wheels on the cars are on the track. Periodically clean the track with a damp cloth.
- The ferris wheel and airplane ride are removable from the base, your child can play with them separately!

## Storage

The storage area for the cars and Little People® figurines is located in the base (underneath the airplane ride).

## Care

Periodically clean the track and both cars' axles and wheels. Rinse the underside of the cars with water while spinning the wheels.



**Questions? We'd like to hear from you!**

Call Fisher-Price® Consumer Affairs, toll-free at **1-800-432-KIDS**, 8 AM - 5 PM EST Monday through Friday. Hearing-impaired consumers using TTY/TDD equipment, please call 1-800-382-7470. Or, write to: Fisher-Price® Consumer Affairs, 636 Girard Avenue, East Aurora, New York 14052.

**CANADA**, Mattel Canada Inc., 6155 Freemont Blvd., Mississauga, Ontario L5R 3W2. Questions? 1-800-567-7724.

**GREAT BRITAIN**, Mattel U.K., Ltd., Helpline: 01628 500303.

**AUSTRALIA**, Mattel Australia Pty. Ltd., 658 Church Street, Locked Bag #870, Richmond, Victoria 3121 Australia. Consumer Advisory Service 1-800-800-812 (valid only in Australia).