

# Fisher-Price®

## Instructions

# Side-by-Side Wagon™

Model Number: 72608



If you experience a problem with this product, or are missing a part, please call us at 1-800-432-KIDS, rather than return this product to the store.

Please save these instructions for future reference.

Adult assembly is required.

Tools needed for assembly: Hammer and Scrap Block of Wood.

Weight Limit: 100 lbs.

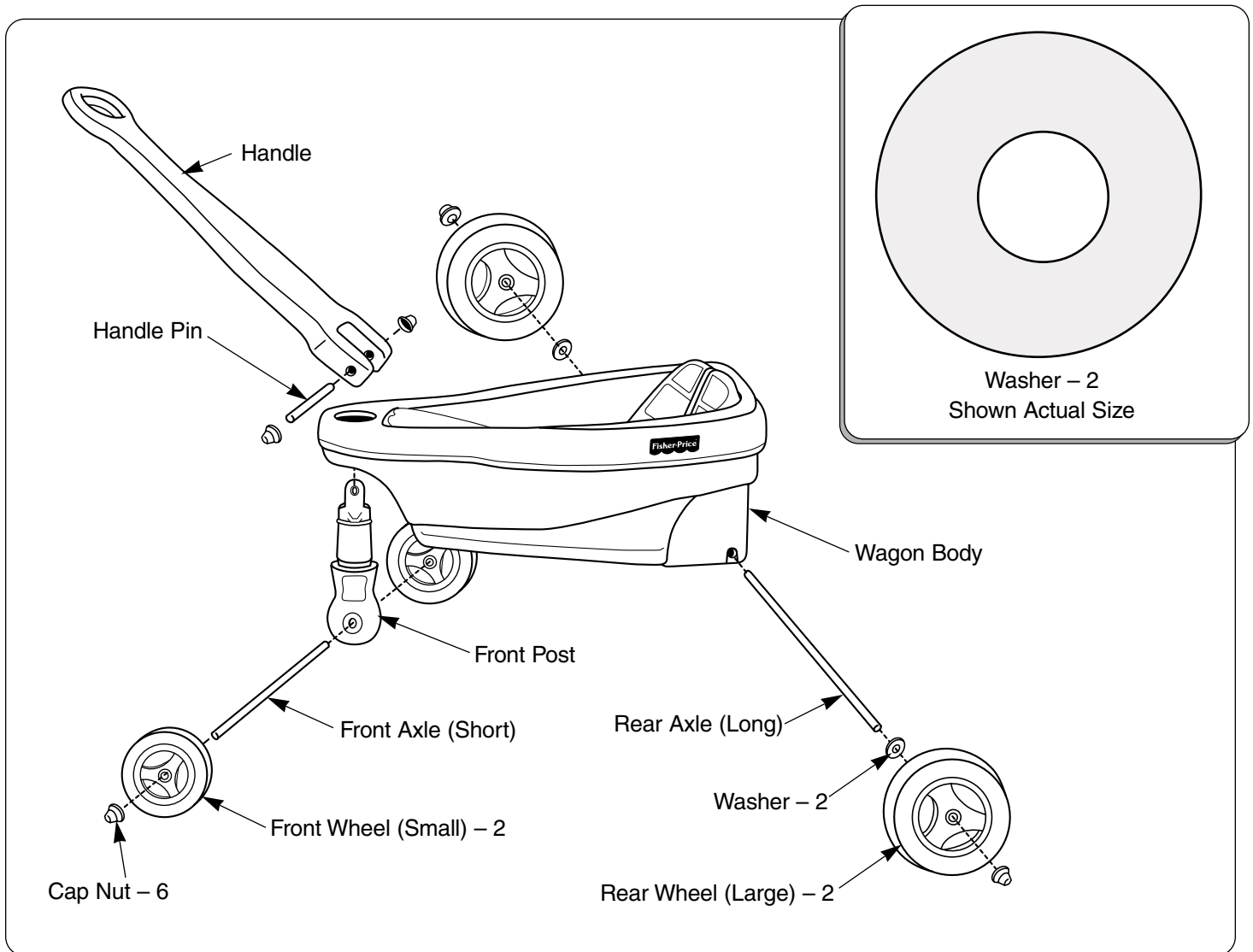
Ages: 1½ years and up.

## WARNING

- Adult supervision is required.
- Never use near steps, sloped driveways, hills, roadways, alleys, swimming pool areas or other bodies of water.
- Always wear shoes or sneakers.

# Parts

If you experience a problem with this product, or are missing a part, please call us at 1-800-432-KIDS, rather than return this product to the store.

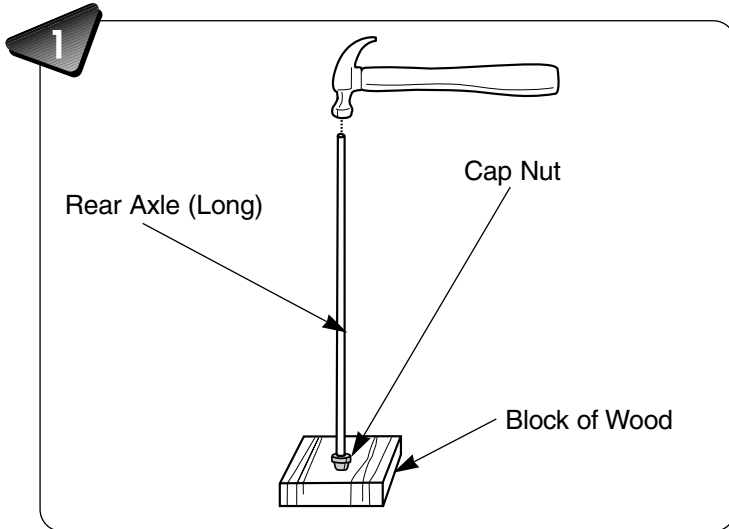


## CAUTION

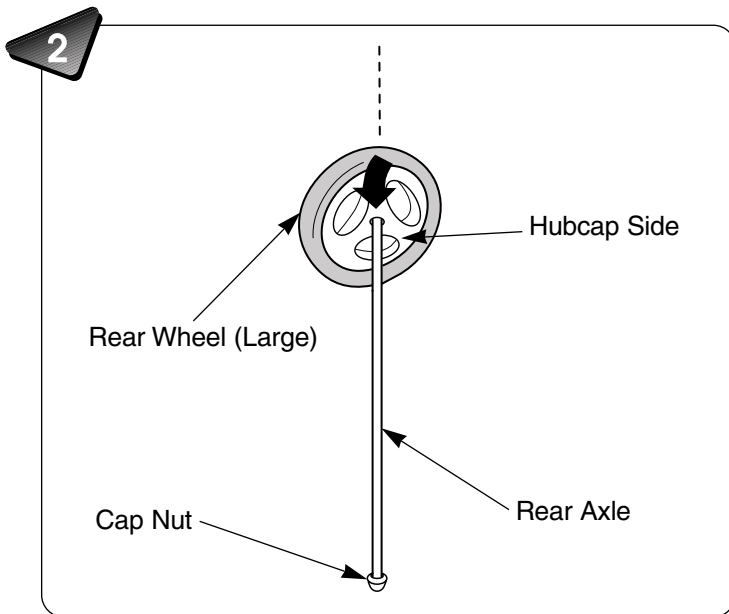
Please keep small parts and plastic bags out of children's reach.

- Please save all packaging material until assembly is complete to ensure that no parts are discarded.
- For your convenience, an extra piece of each type of hardware has been included.
- Before assembling the Side-by-Side Wagon™ please wipe each part with a clean, dry cloth.

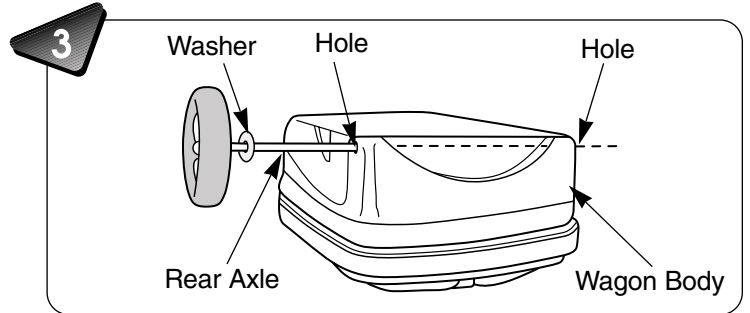
# Assembly



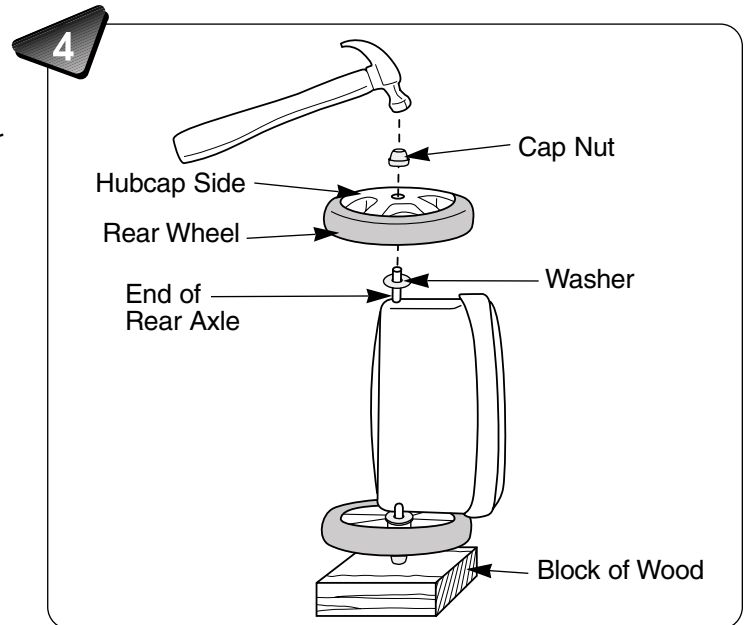
- Place a cap nut on a scrap block of wood.
- Locate the rear axle. It is longer than the front axle.
- Place the rear axle into the cap nut and tap with a hammer until secure.



- Locate the rear wheels. They are larger than the front wheels.
- Slide a rear wheel onto the rear axle, with the hubcap side toward the cap nut, as shown.

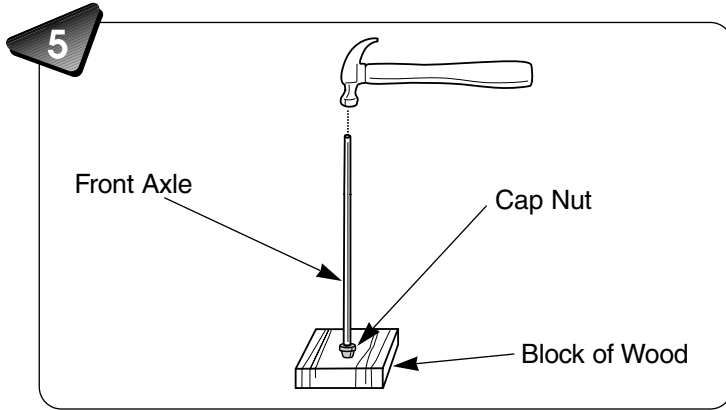


- Turn the wagon body upside down.
- Slide a washer onto the rear axle.
- Insert the end of the rear axle through the holes in the rear of the wagon body.

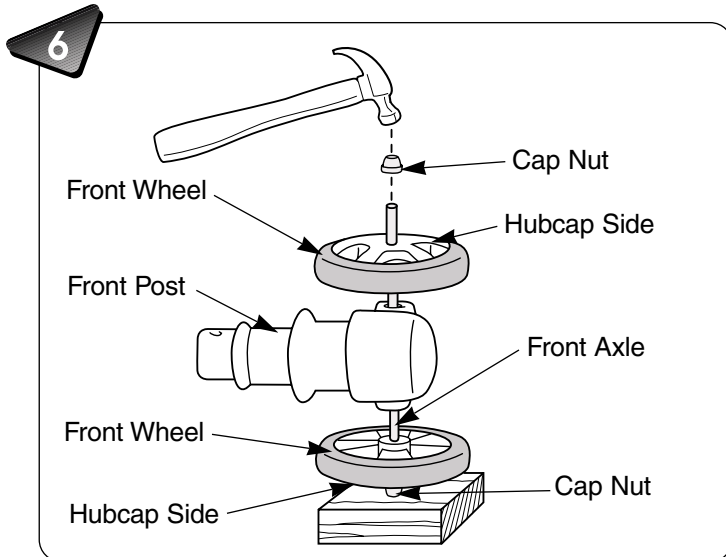


- Turn the wagon body on its side with the exposed rear axle facing up.
- Place a scrap block of wood under the rear wheel to support the rear axle assembly.
- Slide a washer onto the end of the rear axle.
- Slide the other rear wheel with the hubcap side facing up onto the end of the rear axle.
- Place a cap nut onto the end of the rear axle.
- Tap the cap nut with a hammer until it is secure on the rear axle.

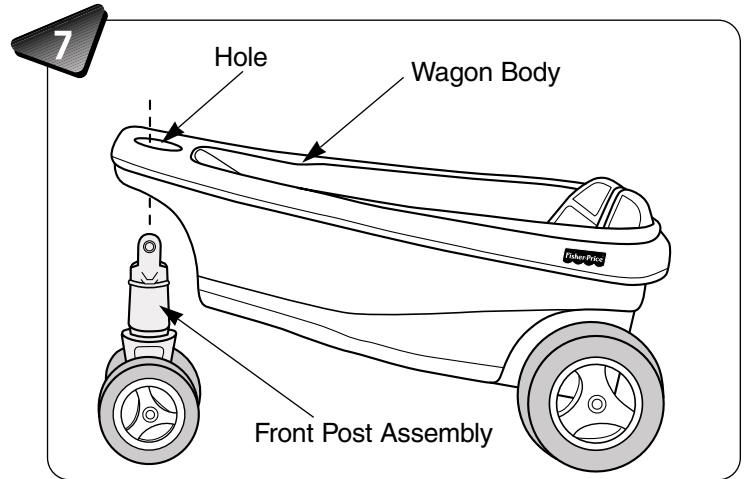
# Assembly



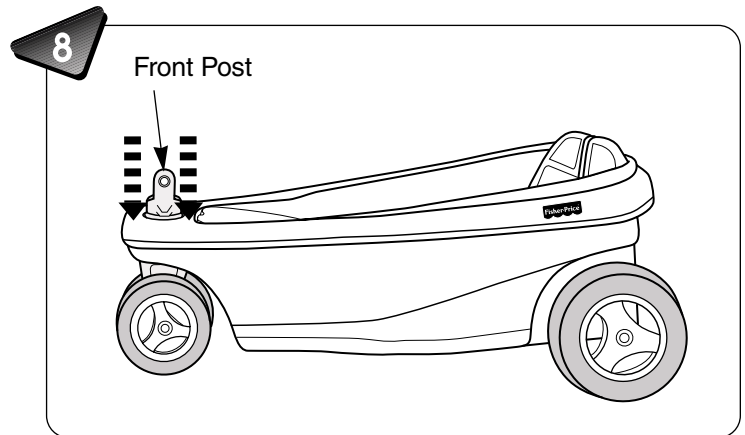
- Place a cap nut on a scrap block of wood.
- Locate the front axle. It is longer than the handle pin.
- Place the front axle into the cap nut and tap with a hammer until secure.



- Slide a front wheel onto the front axle, with the hubcap side toward the end cap.
- Slide the front post onto the front axle.
- Slide the other front wheel onto the front axle, with the hubcap side facing up.
- Place a cap nut onto the end of the front axle.
- Tap the cap nut with a hammer until it is secure on the front axle.

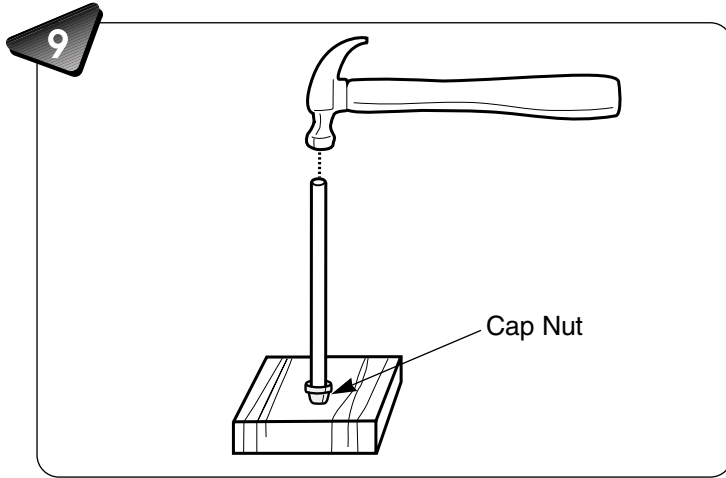


- Turn the wagon body upright.
- Insert the front post assembly into the hole in the front of the wagon body.

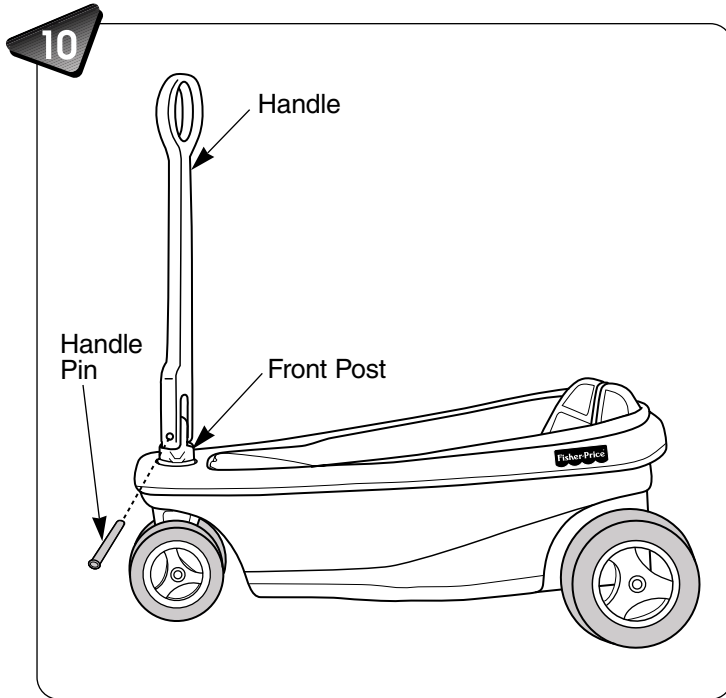


- With the palms of your hands, **firmly push down** on the top surface of the wagon body near the front post until the front post snaps into place.

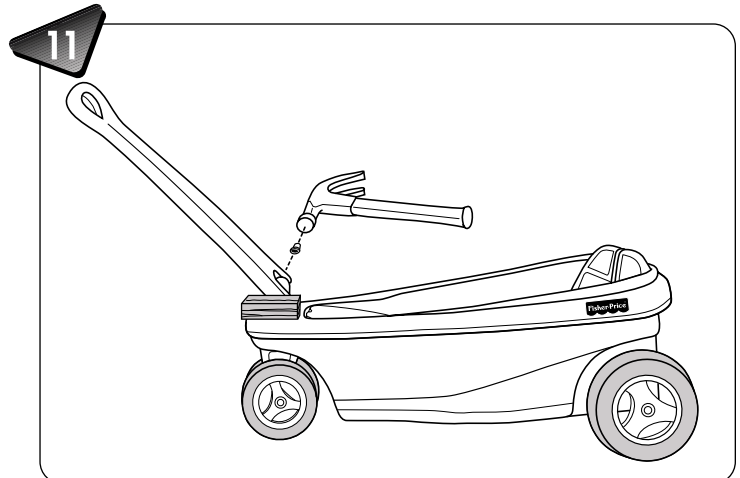
# Assembly



- Place a cap nut on a scrap block of wood.
- Place the handle pin into the cap nut and tap with a hammer until secure.



- Fit the handle onto the front post, aligning the holes in the front post with the holes in the handle.
- Insert the handle pin through the holes in the handle and front post.

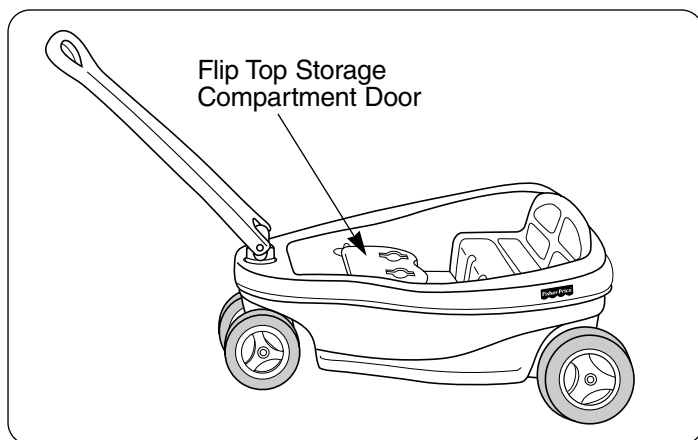


**Helpful Hint:** You may need the help of another person with this step.

- Position the scrap block of wood on top of the cap nut already attached to the handle pin.
- Place a cap nut onto the end of the handle pin.
- While holding the handle pin in place with the scrap block of wood, tap the cap nut with a hammer until it is secure.

**Assembly is now complete.**

## Use



- Turn the flip top storage compartment door to the built-in cup holder side.

## Maintenance

- Periodically check the Side-by-Side Wagon™ to be sure all fasteners are secure and re-fasten as needed.
- To clean, use a mild soap and water solution and a clean cloth. Rinse clean with water to remove soap residue.



### Questions? We'd like to hear from you!

Call Fisher-Price Consumer Affairs, toll-free at **1-800-432-KIDS**, 8 AM - 6 PM EST Monday through Friday. Hearing-impaired consumers using TTY/TDD equipment, please call 1-800-382-7470. Or, write to: Fisher-Price Consumer Affairs, 636 Girard Avenue, East Aurora, New York 14052.

## Three (3) Year Limited Warranty

Fisher-Price, Inc., 636 Girard Avenue, East Aurora, New York 14052, warrants to the original owner that the Side-by-Side Wagon™ is free from all defects in material and workmanship when used under normal conditions for a period of three (3) years from the date of purchase. This warranty does not cover color fading of the product or product parts, or damage from excessive abuse or Acts of God.

Should the product fail to perform properly, we will repair or replace it, free of charge. Purchaser is responsible for shipping the product to the address indicated above and for all associated freight and/or insurance cost. Fisher-Price, Inc. will bear the cost of shipping the repaired or replaced item to you. This warranty is void if the owner repairs or modifies the product. This warranty excludes any liability other than the above mentioned, including but not limited to any incidental or consequential damages.

**SOME STATES DO NOT ALLOW THE EXCLUSION OR LIMITATION OF INCIDENTAL OR CONSEQUENTIAL DAMAGES, SO THE ABOVE LIMITATION OR EXCLUSION MAY NOT APPLY TO YOU.**

**THIS WARRANTY GIVES YOU SPECIFIC LEGAL RIGHTS, AND YOU MAY ALSO HAVE OTHER RIGHTS WHICH MAY VARY FROM STATE TO STATE.**

If you have any questions about this product:

**In Canada**, call **1-800-567-7724**, or write to: Mattel/Fisher-Price, 6155 Freemont Blvd., Mississauga, Ontario L5R 3W2.

**In Great Britain**, telephone 01734 770488.

**In Australia**, call the Fisher-Price Australian Consumer Advisory Service toll-free at 1-800-800-812, or write to: Fisher-Price, Mattel Pty. Limited, 461 Plummer Street, Port Melbourne, Victoria 3207.