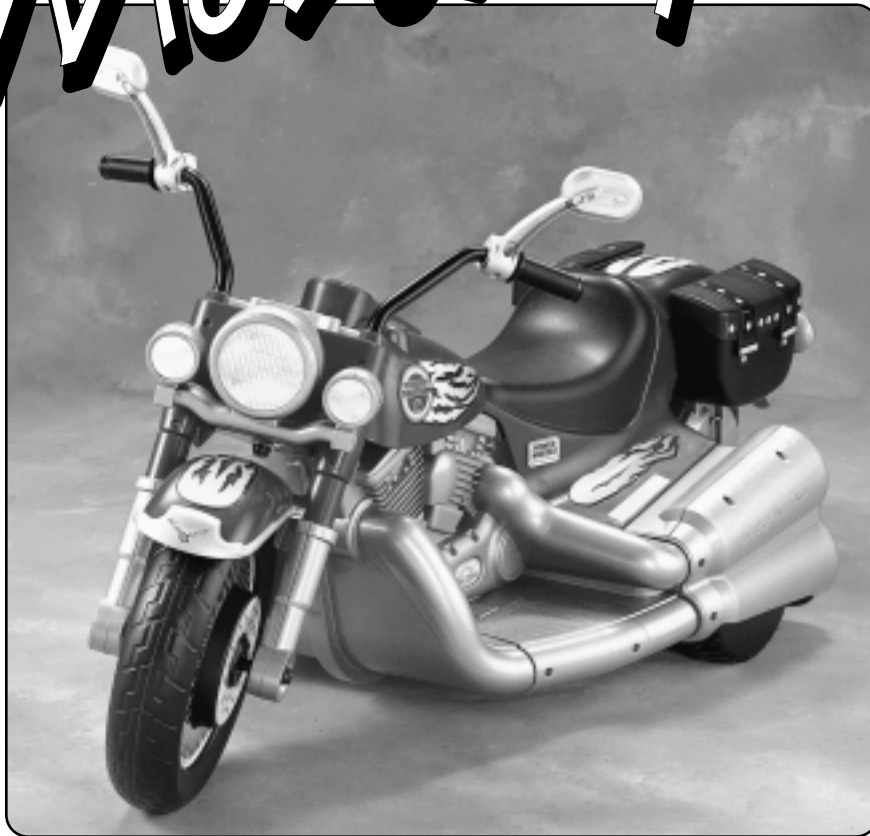


**POWER
WHEELS**
by Fisher-Price®



MOTORCYCLE



Product features may vary from the picture above.

Harley-Davidson is a registered trademark and the motorcycle sound is a trademark of H-D Michigan, Inc. used under license.

Owner's Manual with Assembly Instructions

Please read this manual and save it with your original sales receipt.

For Model 73210

Tools needed for assembly: Phillips Screwdriver, Hammer and Safety Scissors (not included).

Use only with two Power Wheels® 6 Volt Rechargeable Batteries with A-Style Connectors and Built-in Thermal Fuses, and a Power Wheels® 12 Volt Charger (all included).

Requires three "AA" (LR6) alkaline batteries (not included) in Sound Box.

www.fisher-price.com

Table of Contents

A	Important Information	.2
B	Warnings and Cautions	.3
C	Parts	.4
D	Parts Diagram	.8
E	Battery Charging	.9
F	Assembly	.11
G	Label Decoration	.22
H	Battery Installation	.24
I	Battery Care and Disposal	.25
J	Caring For Your Vehicle	.25
K	Rules For Safe Driving	.26
L	How to Operate Your Vehicle	.27
M	Statement of Limited Warranty	.28
N	Problems and Solutions Guide	.29
O	Authorized Service Centers	.32

A

Important Information

- Your new vehicle requires adult assembly. Please set aside at least 60 minutes for assembly.
- You must charge your batteries for 18 - 30 hours **before you use your vehicle for the first time**. We recommend that you start charging your batteries before beginning assembly. Please see Battery Charging beginning on page 9 for detailed instructions.
- Read this manual carefully for important safety information and operating instructions before using your vehicle. Keep this manual for future reference as it contains important information.
- This vehicle is designed for use on: grass, asphalt and other hard surfaces; on generally level terrain; and by children 3 years of age and older.
- Make sure children know and follow these rules for safe driving and riding:
 - always sit on the seat.
 - always wear shoes.
 - only 1 (one) rider at a time.
- Please note that the front wheel of the vehicle can lift slightly off the ground during use, especially if the vehicle is driven forward in high speed from a stopped position. This is a normal occurrence and is not cause for alarm. The vehicle will not tip. The rear wheel is designed to act as a stabilizer by restricting front wheel lift, preventing the vehicle from tipping. To prevent front wheel lift, teach your child to start the vehicle in low speed and shift to high speed only when already moving forward.
- For safety reasons, your vehicle has been pre-set so that it will operate at low speed. **You must connect the high speed hook-up to allow operation of the vehicle at high speed.** Please see page 28 for detailed instructions.
- To prevent damaging the motors and gears, teach your child to stop the vehicle before switching direction. Do not tow anything behind the vehicle or overload it. Do not exceed the maximum weight capacity of 65 lb (30 kg).
- If you have any questions about your Power Wheels® vehicle, please call our toll-free service lines at **1-800-348-0751** from 8 AM to 6 PM (EST) Monday through Friday. Trained customer service representatives are available to take your call in English or French. Habla Español? Si usted tiene alguna pregunta ó necesita asistencia llame gratis **1-800-348-0755** para los Estados Unidos. Tenemos representantes que hablan español para atender su llamada.
- For your convenience, Power Wheels® maintains an Authorized Service Center Network with more than 400 authorized service centers nationwide. Our authorized service centers will repair or replace parts under warranty at no extra charge, and can perform non-warranty repairs for a minimal charge. Please see the Authorized Service Center list beginning on page 32 to find the authorized service center nearest you, or call **1-800-348-0751**.
- Please complete and return the enclosed Registration Card today, or call **1-800-348-0751** to register your vehicle by phone, or register on-line at www.powerwheels.com.

B

Warnings and Cautions

ELECTRICAL HAZARD

WARNING

- Batteries can fall out and injure a child if vehicle tips over. Always use battery clamp.
- **PREVENT FIRE**
 - Never modify the electrical system. Alterations could cause a fire resulting in serious injury and could also ruin the electrical system.
 - Use of the wrong type battery or charger could cause a fire or explosion resulting in serious injury.
 - Use of Power Wheels® components in products other than Power Wheels® vehicles could cause overheating, fire or explosion.
- The battery must be handled by adults only. The battery is heavy and contains sulfuric acid (electrolyte). Dropping the battery could result in serious injury.
- Never allow children to charge the battery. Battery charging must be done by adults only. A child could be injured by the electricity involved in charging the battery.
- Never lift or carry the battery by the wires or connector. This can damage the battery and possibly cause a fire resulting in serious injury. Lift and carry the battery by the case only.
- Read the safety instructions on the battery.
- Examine the battery, charger and their connectors for excessive wear or damage each time you charge the battery. If damage or excessive wear is detected, do not use the charger or the battery until you have replaced the worn or damaged part.
- **HOT** motors. Handle carefully.

RIDING HAZARD

WARNING

- **Prevent Injuries and Deaths**
 - Direct Adult Supervision Required
 - Keep Children Within Safe Riding Areas.
These areas must be:
 - away from swimming pools and other bodies of water to prevent drownings
 - generally level to prevent tipovers
 - away from steps, driveways, roads and alleys.

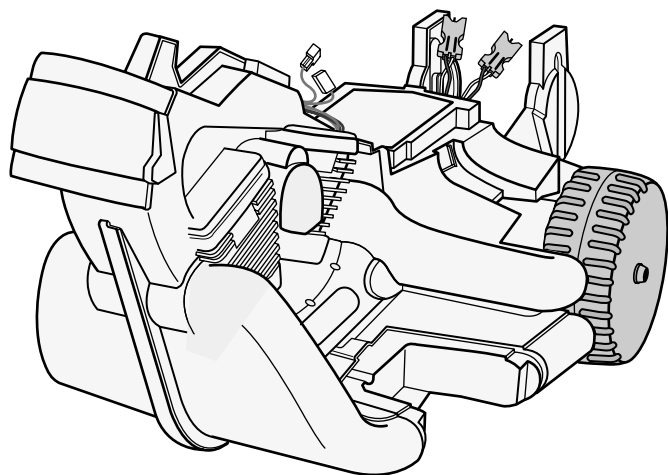
CAUTION

- In the unassembled state, this package contains small parts. Adult assembly is required.
- Use the charger in dry locations only.

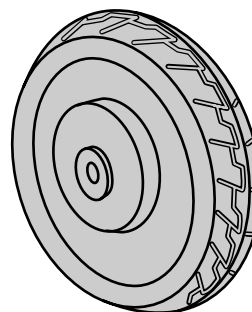
C

Parts

- If you experience a problem with this product, or are missing a part, please call us at **1-800-348-0751**, rather than return this product to the store.
- Please identify all parts before assembly and save all packaging material until assembly is complete to ensure that no parts are discarded.
- Metal parts have been coated with a lubricant to protect them during shipment. Wipe all metal parts with a paper towel to remove any excess lubricant.



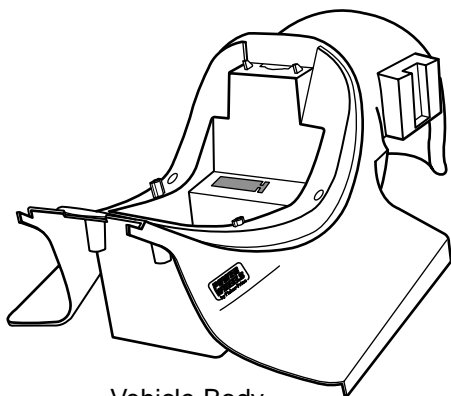
Vehicle Frame



Wheel - 2



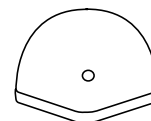
Wheel Axle - 2



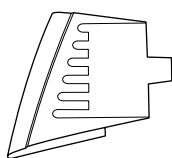
Vehicle Body



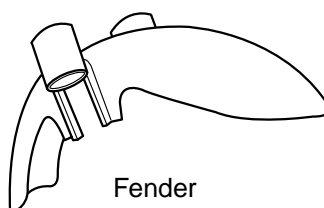
Fork Axle



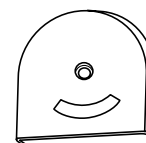
Steering Stop



Left Footboard



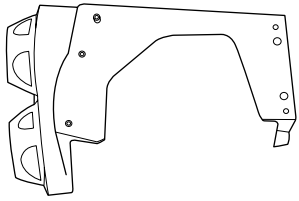
Fender



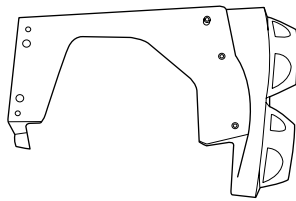
Steering Bushing - 2

Parts

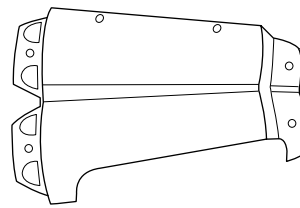
Exhaust Pipe Set



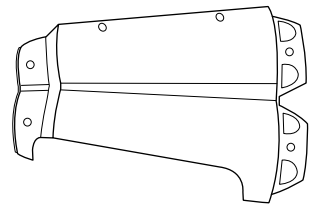
Left - Inner Half



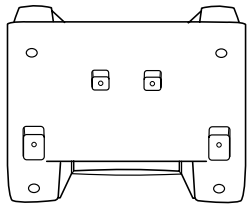
Right - Inner Half



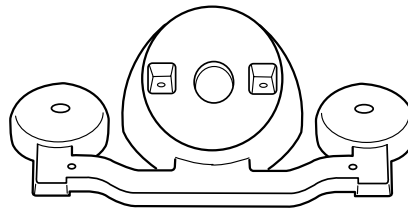
Right - Outer Half



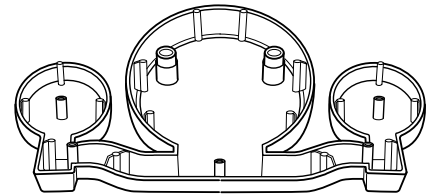
Left - Outer Half



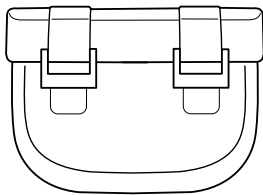
Front Fork



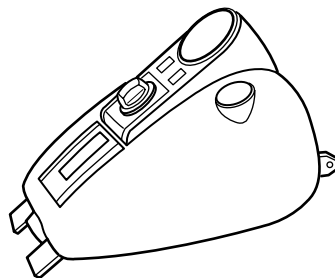
Headlight - Rear Half



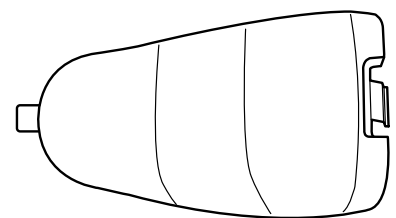
Headlight - Front Half



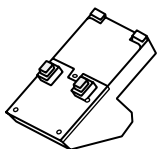
Saddlebag - 2



Gas Tank



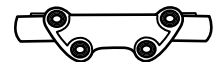
Seat



Sound Box

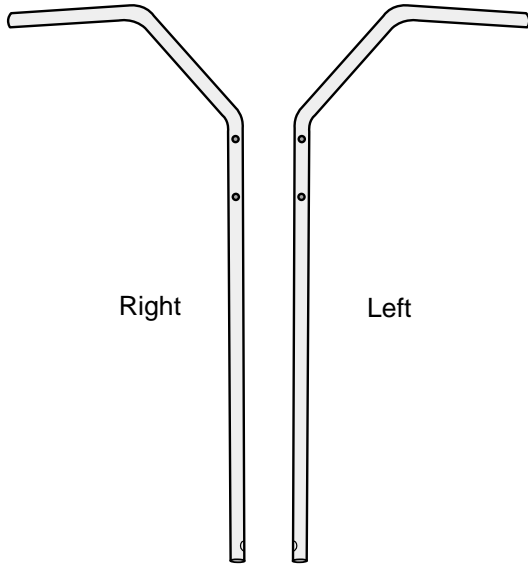


Battery Clamp



Fork Cover

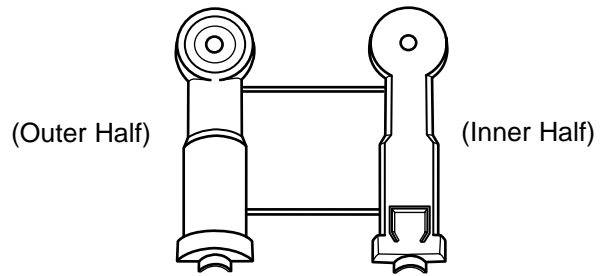
Parts



Right

Left

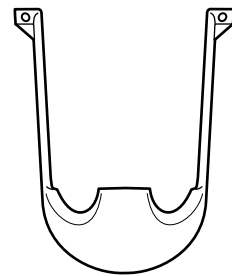
Handlebar Set



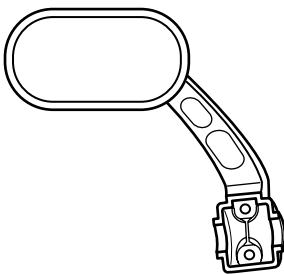
(Outer Half)

(Inner Half)

Shock Set - 2



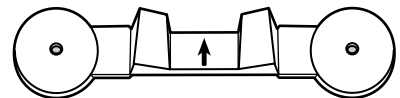
Fender Tip



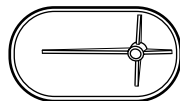
Left Mirror Housing



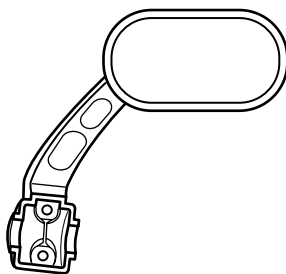
Handgrips - 2



Taillight Cover



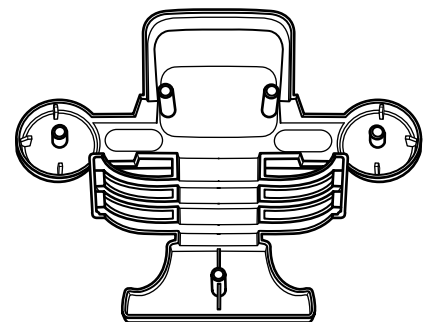
Mirror Lens - 2



Right Mirror Housing



Mirror Clamp - 2



Taillight

Parts



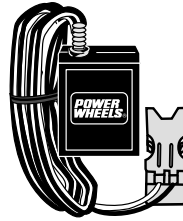
Hex Bushing - 4



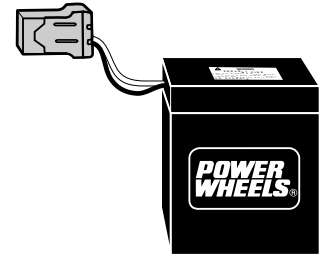
Round Bushing - 2



Axle Bushing - 2



12 Volt Charger

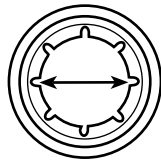


6 Volt Battery - 2

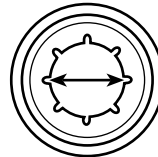
Not Shown: Label Sheet



.437 (Large Diameter) Cap Nut - 4*



.354 (Small Diameter) Cap Nut - 2*



#8 x $\frac{3}{4}$ " Screw - 63



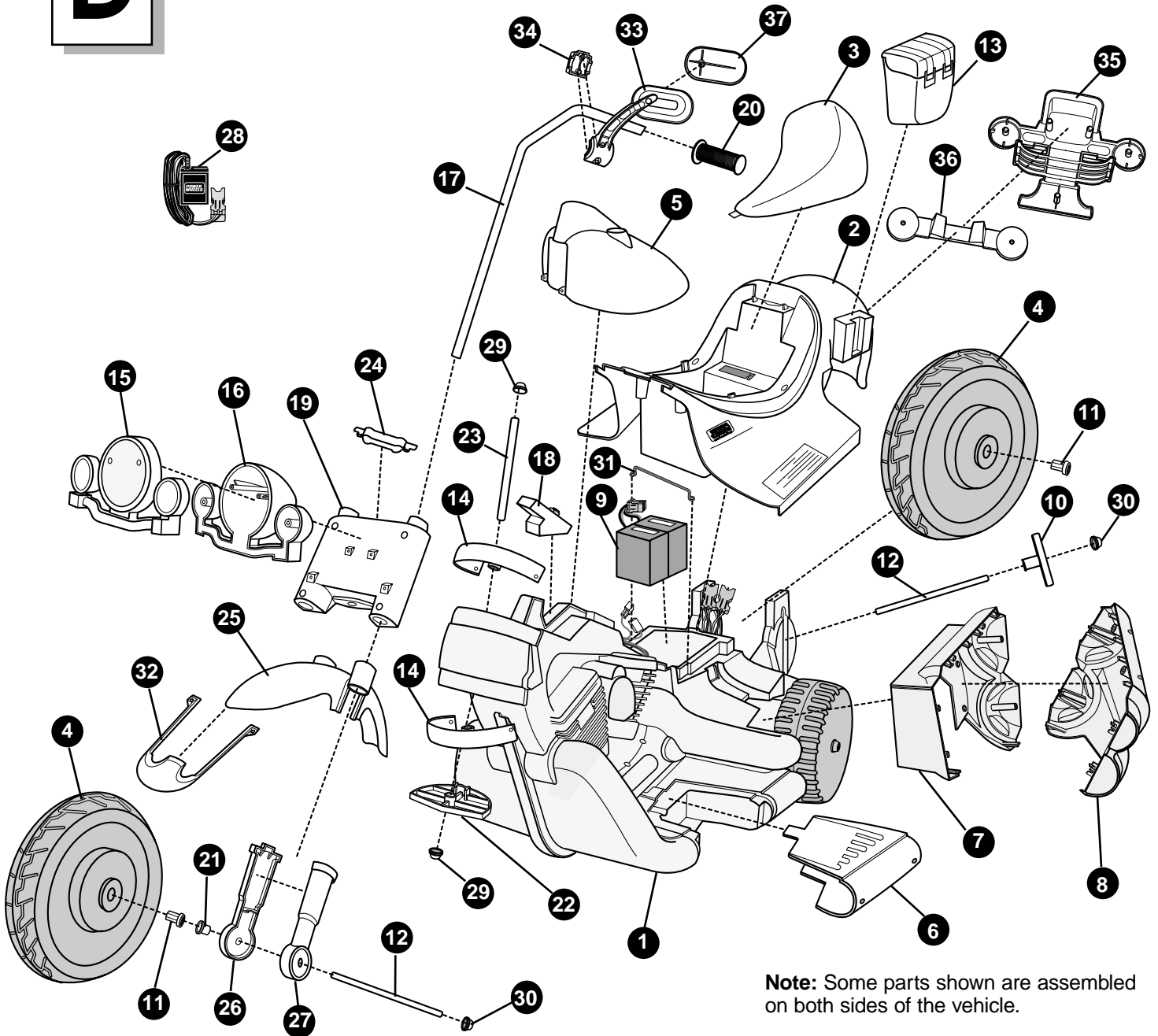
#8 x $\frac{1}{2}$ " Screw - 5

All Shown Actual Size

*For your convenience, two extra .437 (large diameter) cap nuts and one extra .354 (small diameter) cap nut are included.

D

Parts Diagram



Note: Some parts shown are assembled on both sides of the vehicle.

- | | | |
|-----------------------------|----------------------------|---------------------------------|
| 1. Vehicle Frame | 15. Headlight - Front Half | 28. 12 Volt Charger |
| 2. Vehicle Body | 16. Headlight - Rear Half | 29. .354 Cap Nut - 2 |
| 3. Seat | 17. Handlebar - 2 | 30. .437 Cap Nut - 4 |
| 4. Wheel - 2 | 18. Sound Box | 31. Battery Clamp |
| 5. Gas Tank | 19. Front Fork | 32. Fender Tip |
| 6. Left Footboard | 20. Handgrip - 2 | 33. Left Mirror Housing |
| 7. Exhaust - Inner Half - 2 | 21. Round Bushing - 2 | 34. Mirror Clamp - 2 |
| 8. Exhaust - Outer Half - 2 | 22. Steering Stop | 35. Taillight |
| 9. 6 Volt Battery - 2 | 23. Fork Axle | 36. Taillight Cover |
| 10. Axle Bushing - 2 | 24. Fork Cover | 37. Mirror Lens |
| 11. Hex Bushing - 4 | 25. Fender | |
| 12. Wheel Axle - 2 | 26. Shock - Inner Half - 2 | Not Shown |
| 13. Saddlebag - 2 | 27. Shock - Outer Half - 2 | #8 x $\frac{3}{4}$ " Screw - 63 |
| 14. Steering Bushing - 2 | | #8 x $\frac{1}{2}$ " Screw - 5 |
| | | Label Sheet |

ELECTRICAL HAZARD **WARNING**

- Batteries can fall out and injure a child if vehicle tips over. Always use battery clamp.
- **PREVENT FIRE**
 - Never modify the electrical system. Alterations could cause a fire resulting in serious injury and could also ruin the electrical system.
 - Use of the wrong type battery or charger could cause a fire or explosion resulting in serious injury.
 - Use of Power Wheels® components in products other than Power Wheels® vehicles could cause overheating, fire or explosion.
- The battery must be handled by adults only. The battery is heavy and contains sulfuric acid (electrolyte). Dropping the battery could result in serious injury.
- Never allow children to charge the battery. Battery charging must be done by adults only. A child could be injured by the electricity involved in charging the battery.
- Never lift or carry the battery by the wires or connector. This can damage the battery and possibly cause a fire resulting in serious injury. Lift and carry the battery by the case only.
- Read the safety instructions on the battery.
- Examine the battery, charger and their connectors for excessive wear or damage each time you charge the battery. If damage or excessive wear is detected, do not use the charger or the battery until you have replaced the worn or damaged part.

 **CAUTION**

Use the charger in dry locations only.

Important Notes

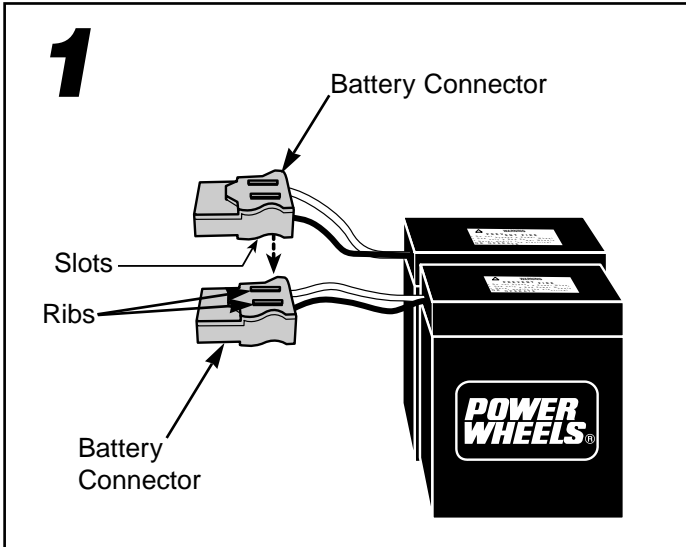
- **Your new batteries must be charged for at least 18 hours before you use them in your vehicle for the first time.**
- We recommend that you start charging your batteries before beginning assembly of your new vehicle.
- The batteries must be upright while charging.
- The charger is not a toy.
- Do not short circuit the batteries.
- You do not need to remove the batteries from your vehicle to recharge them.
- Before charging the batteries, examine the battery cases for cracks and other damage which may cause sulfuric acid (electrolyte) to leak during the charging process. If damage is detected, do not charge the batteries or use them in your vehicle. Battery acid is very corrosive and can cause severe damage to surfaces it contacts.
- Do not charge the battery on a surface which could be damaged by the acid contained inside the battery. Take precautions to protect the surface on which you charge your batteries.
- Use only a Power Wheels® 12 volt charger with A-style connector (120 VAC 60 Hz 28W with an output of 12 VDC 1200mA) to charge your Power Wheels® 6 volt batteries.
- **When replacing the 6 volt batteries, use only Power Wheels® 6 volt batteries with A-style connectors and built-in thermal fuses. Power Wheels® 6 volt batteries with external thermal fuses will not fit in the battery compartment of this vehicle.**

About Thermal Fuses

Your Power Wheels 6 volt batteries are equipped with built-in thermal fuses. The thermal fuses are self-resetting safety devices which automatically “trip” and shut down operation of the vehicle if the vehicle is overloaded or the driving conditions too severe. Once a fuse has “tripped”, it will automatically reset itself after approximately 25 seconds and allow the vehicle to resume normal operations. To avoid repeated automatic shutdowns, do not overload the vehicle by exceeding the 65 lbs. maximum weight capacity or by towing anything behind the vehicle. Avoid severe driving conditions, such as driving up slopes or running into fixed objects, which can cause the wheels to stop spinning while power is still being supplied to the motors and make sure your child stops the vehicle before switching speeds or direction.

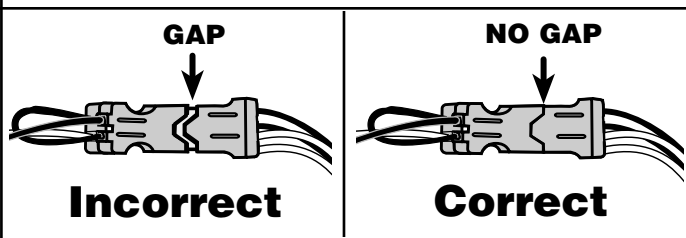
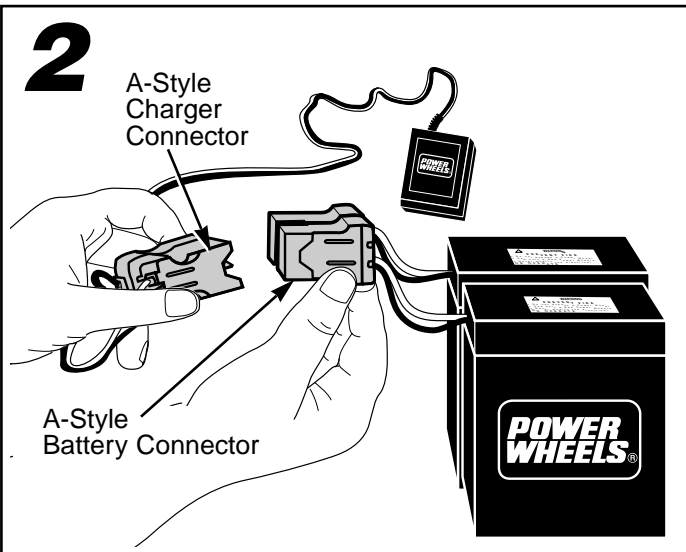
If a thermal fuse in a battery continually trips under normal driving conditions, please contact your local Power Wheels® Authorized Service Center. For the location of the Authorized Service Center nearest to you, see page 32, or visit www.powerwheels.com.

Battery Charging

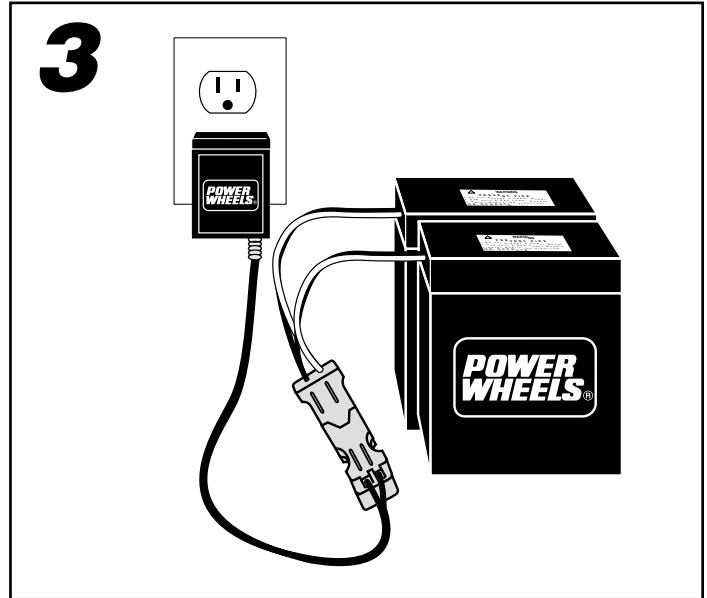


- Align the ribs on the top of one of the battery connectors with the slots on the bottom of the other battery connector.
- Stack the two battery connectors and press to join.

Note: Make sure that the two connectors on the charger are also stacked and joined.



- Plug the charger and battery connectors together. Push firmly to snap the two connectors together.



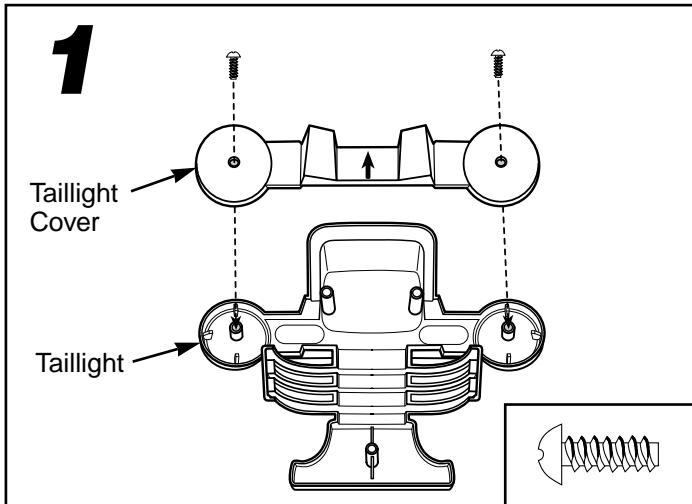
- Plug the charger into a standard 120 volt wall outlet.

Note: If power flow to the wall outlet is controlled by a switch, make sure the switch is "ON".

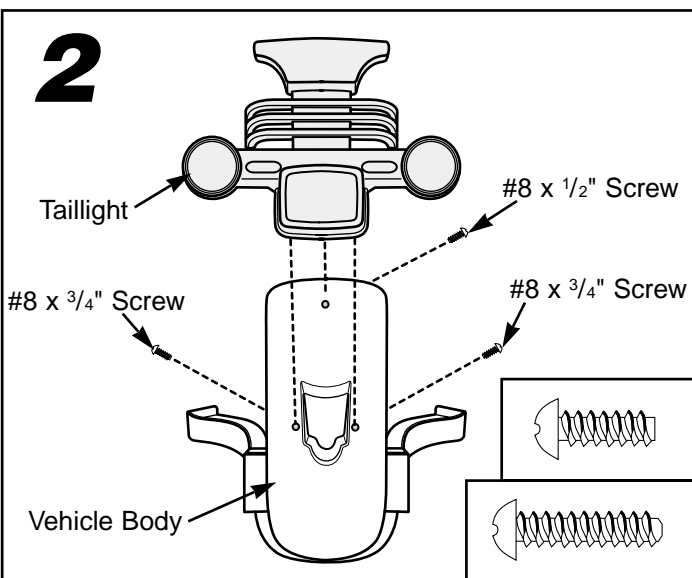
- **Before first time use, charge the batteries for at least 18 hours.** Never charge the batteries longer than 30 hours.
- **Recharge the batteries for at least 14 hours** after each use of your vehicle. Do not charge the batteries longer than 30 hours.
- Once the batteries are charged, disconnect the charger connector from the battery connector. Unplug the charger from the wall outlet. The batteries are now charged and are ready to be installed in your vehicle. Please see the Battery Installation section on page 24 for detailed instructions on installing your battery.

⚠ WARNING

Children can be harmed by small parts, sharp edges and sharp points in the vehicle's unassembled state, or by electrical items. Care should be taken in unpacking and assembly of the vehicle. Children should not handle parts, including the battery, or help in assembly of the vehicle.

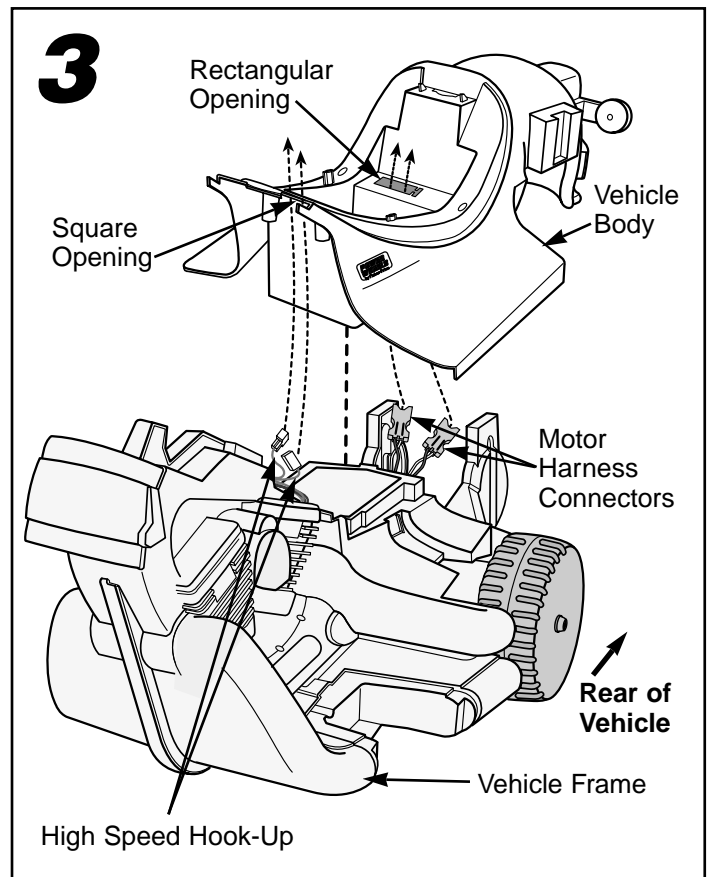


- Position the taillight cover with the inside arrow pointing upward.
 - Fit the taillight cover on the back of the taillight.
 - Insert two #8 x 1/2" screws through the holes in the taillight cover. Tighten the screws with a Phillips screwdriver. Do not over-tighten.



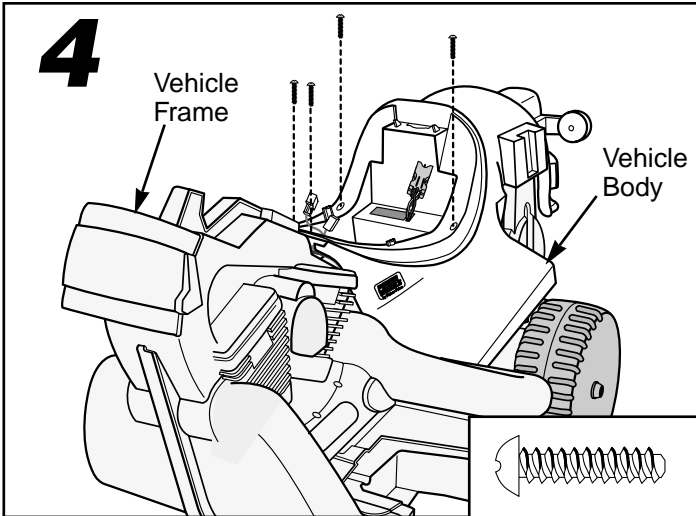
- Position the vehicle body upside down on a flat surface.
 - Fit the taillight on the outside of the rear fender as shown. Make sure the holes in the rear fender and taillight are aligned.

- Insert one #8 x 1/2" screw through the hole near the end of the fender in the vehicle body and into the taillight.
- Insert two #8 x 3/4" screws through the remaining holes in the vehicle body and into the taillight.
- Tighten the screws with a Phillips screwdriver. Do not over-tighten.

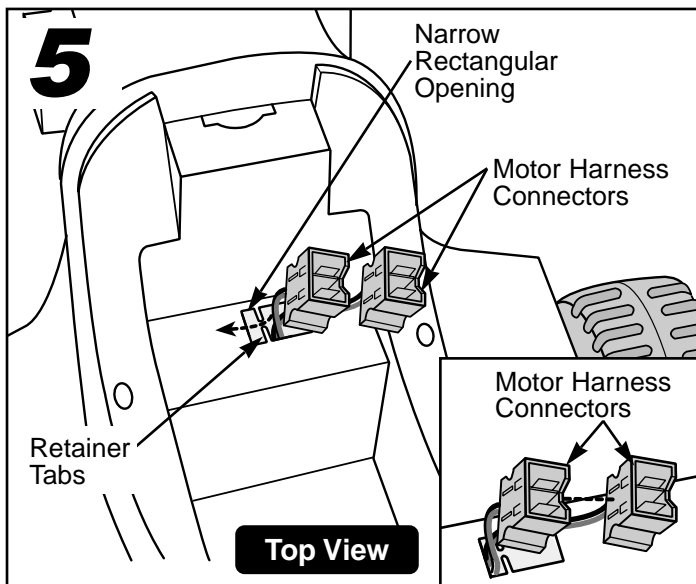


- Pull firmly to separate the two black motor harness connectors near the rear of the vehicle frame.
 - Position the vehicle body on top of the vehicle frame.
 - Fit each **motor harness connector** up through the **rectangular** opening in the vehicle body, one at a time.
 - Fit the two halves of the **high speed hook-up connector** through the **square** opening near the front of the vehicle body.

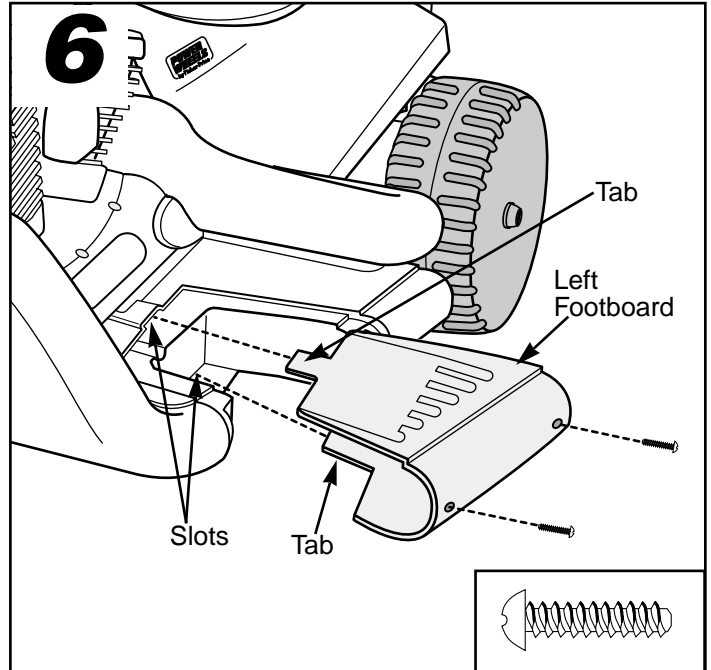
Assembly



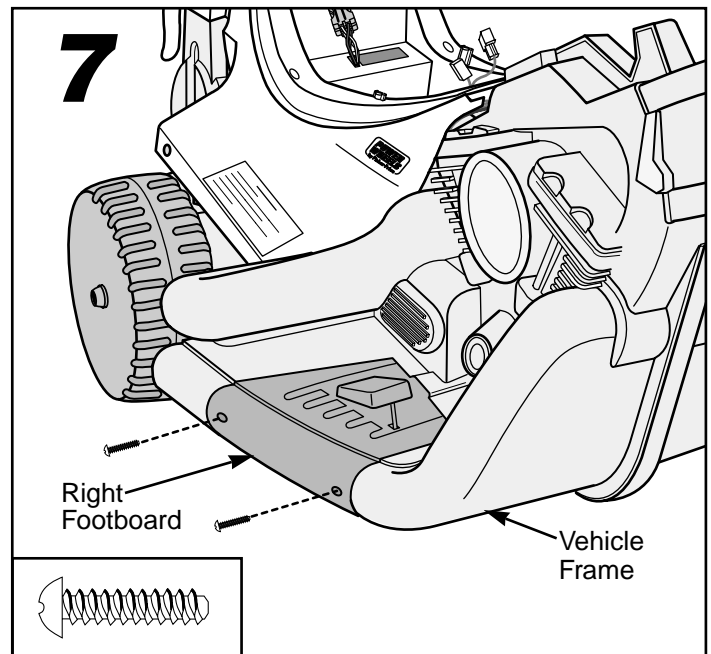
- Insert four #8 x 3/4" screws through the vehicle body and into the vehicle frame. Make sure the holes in the vehicle body and frame are aligned.
- Tighten the screws using a Phillips screwdriver. Do not over-tighten.



- Fit the motor harness wires between the retainer tabs so that all four motor harness wires are contained in the narrow rectangular opening.
- Fit the tabs on the top of one motor harness connector into the slots in the bottom of the other motor harness connector and **squeeze firmly to re-join the two motor harness connectors (see inset).**

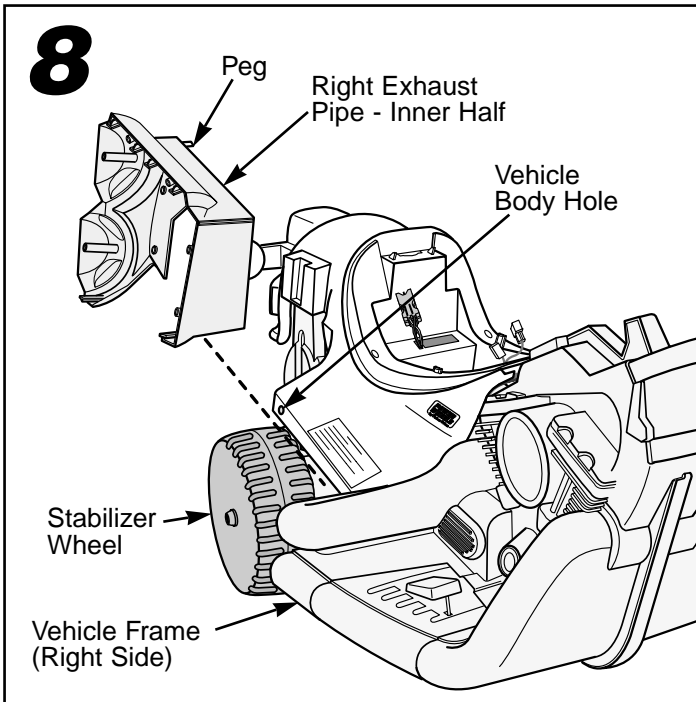


- Fit the tabs on the left footboard into the slots in the left side of the vehicle frame. **Make sure both tabs are in the slots.**
- Hint: You may need to squeeze the left footboard in order to align the tabs with the slots.*
- Insert two 3/4" screws into the left footboard as shown. Tighten the screws using a Phillip screwdriver. Do not over-tighten.

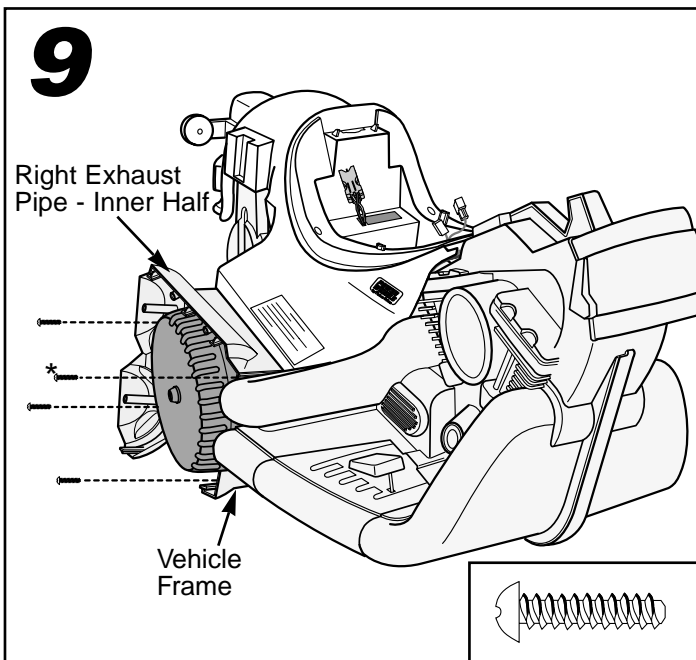


- The right footboard was inserted in the vehicle frame at the factory. Make sure the right footboard is in place.
- Insert two #8 x 3/4" screws into the right footboard as shown. Tighten the screws with a Phillips screwdriver. Do not over-tighten.

Assembly



- Separate the exhaust set pieces. Note the R (right side) and L (left side) markings on the inside of each piece.
- Fit the inner half of the right exhaust pipe (R) over the stabilizer wheel on the right side of the vehicle. Make sure the peg on the inner exhaust pipe fits into the hole in the vehicle body.

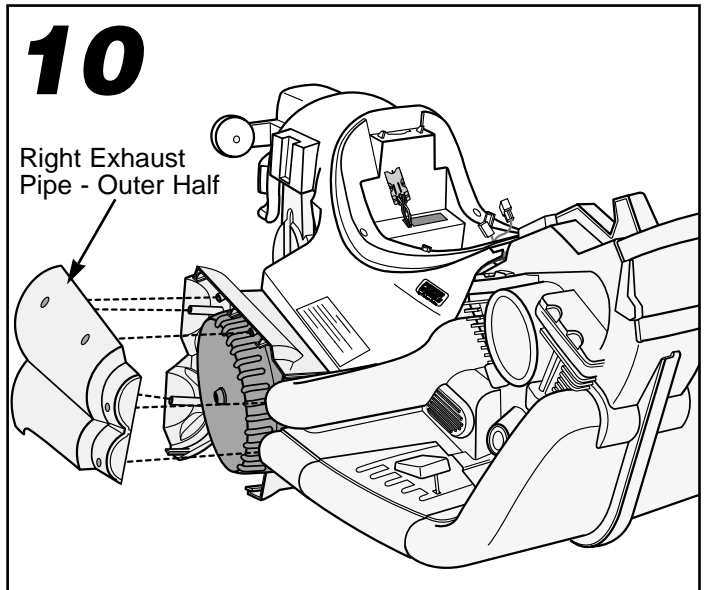


Hint: Use a long-shafted screwdriver to complete this assembly step.

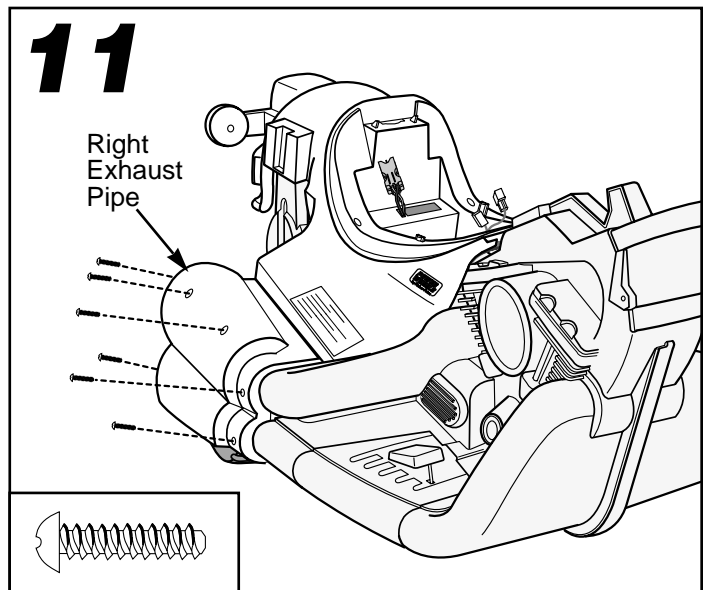
- Align the holes in the inner half of the right exhaust pipe with the holes in the vehicle frame.
- Insert four #8 x 3/4" screws through the inner half of the right exhaust pipe and into the vehicle frame.

IMPORTANT! The screw marked with an asterisk * in step 9 illustration must go through the hole in the inner half of the right exhaust pipe, the vehicle body and into the vehicle frame. Make sure all the holes are properly aligned and the screw goes through all three parts.

- Tighten the screws using a Phillips screwdriver. Do not over-tighten.

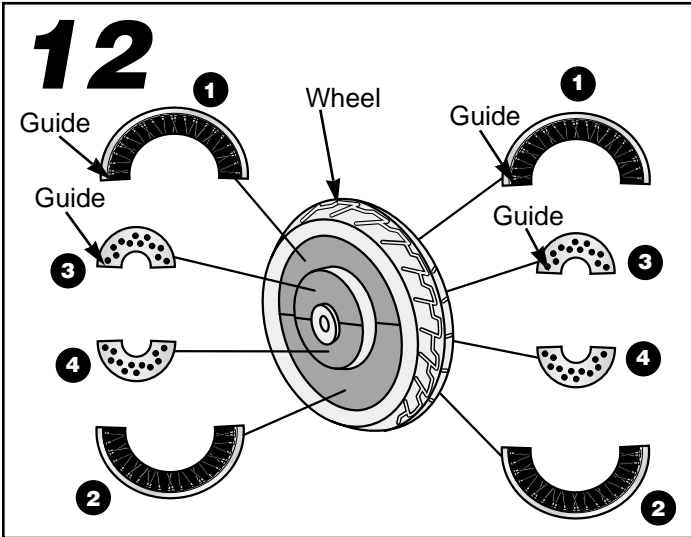


- Fit the outer half of the right exhaust pipe (R) to the inner half of the right exhaust pipe.



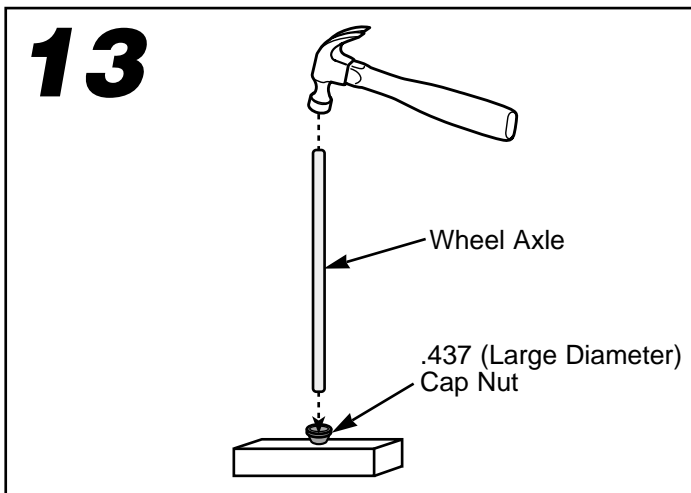
- With the holes aligned, insert six #8 x 3/4" screws to join the two halves of the right exhaust pipe.
- Tighten the screws using a Phillips screwdriver. Do not over-tighten.
- Repeat steps 8 through 11 to assemble the left exhaust pipe (L) to the left side of the vehicle.

Assembly

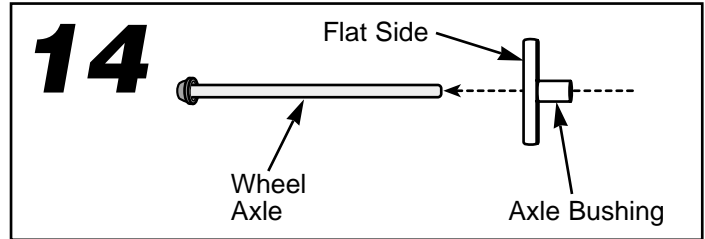


- Before applying labels to the wheels, wipe each wheel with a clean, dry cloth to make sure it is free of dirt and oils. Make sure your hands are clean.
- Apply labels to both sides of each wheel as shown in the illustration.

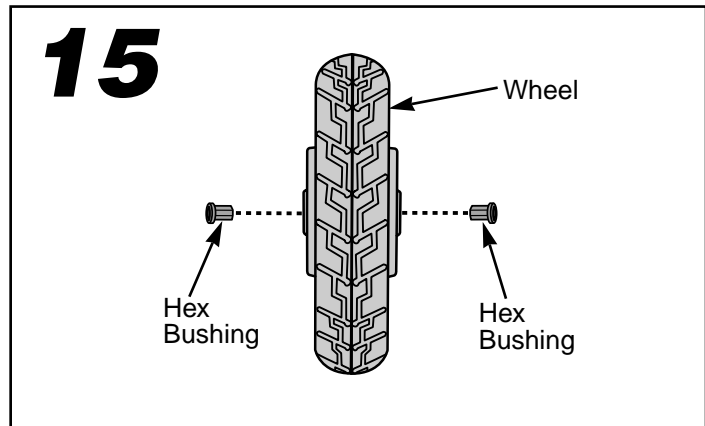
IMPORTANT! Labels 1 and 2 are designed to slightly overlap; and labels 3 and 4 are designed to slightly overlap. For each wheel, apply label 1 before applying label 2. Align the edge of label 2 with the guide marks on label 1. Apply label 3 before applying label 4. Align the edge of label 4 with the guide marks on label 3.



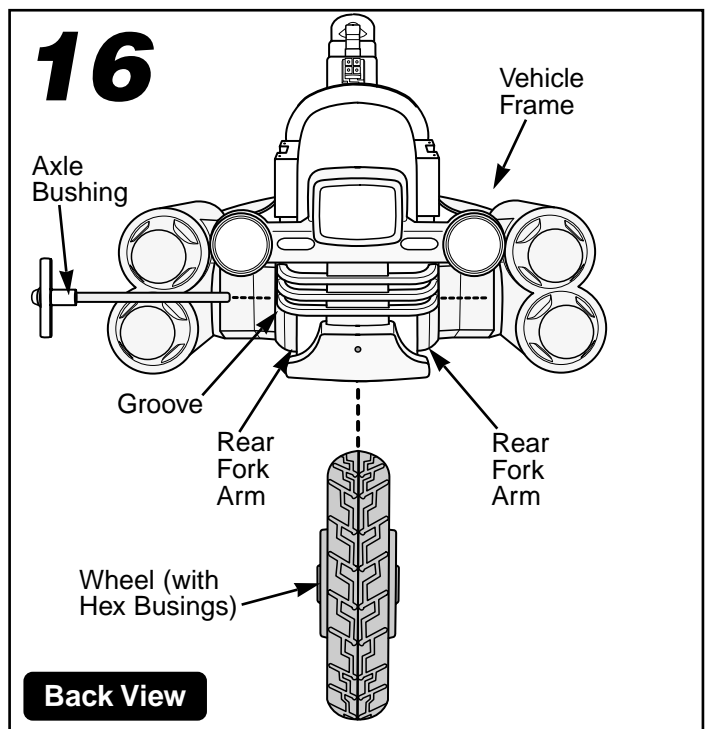
- Separate the fork axle from the two wheel axles. (The fork axle is shorter than the wheels axles.) Set the fork axle aside.
- Place a .437 (large diameter) cap nut on a flat surface, inside up.
- Fit the end of a wheel axle into the cap nut.
- Tap the opposite end of the wheel axle with a hammer to secure the cap nut on the axle. Pull on the cap nut to make sure it is secure.
- Repeat this procedure to assemble one .437 (large diameter) cap nut to one end of the other wheel axle.
- Set one of the wheel axles aside for use later in assembly.



- Slide an axle bushing (flat side first) on the wheel axle.



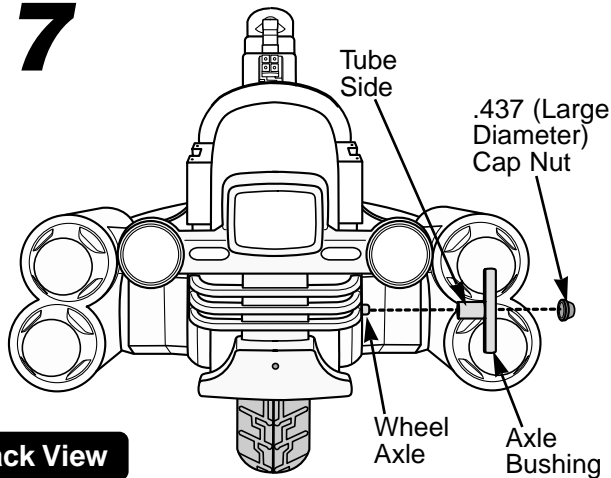
- Fit two hex bushings into the center hole in a wheel.



- Position the vehicle assembly so that the back is facing you.
- While holding the hex bushings in place, position the wheel between the rear fork arms of the vehicle frame.
- Slide the wheel axle (with axle bushing) through one rear fork arm, through the wheel (with hex bushings) and out through the other rear fork arm. Make sure the wheel axle bushing fits into the groove in the fork arm.

Assembly

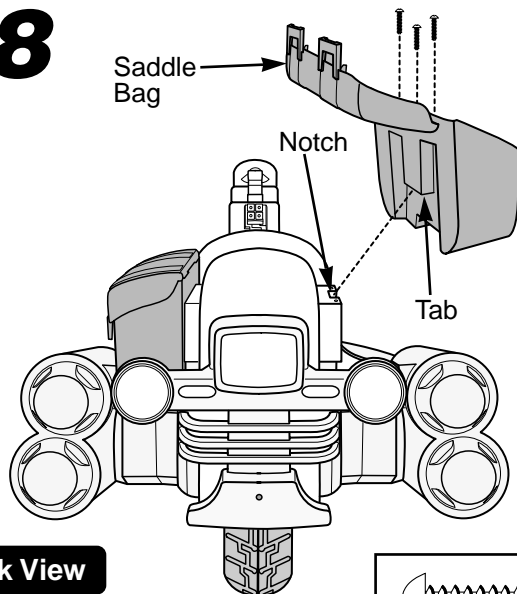
17



Back View

- Slide an axle bushing (tube side first) onto the end of the wheel axle. Make sure the flat end of the axle bushing fits into the groove in the fork arm.
- Fit a .437 (large diameter) cap nut on the end of the wheel axle.
- Support the opposite end of the wheel axle and tap the .437 cap nut with a hammer to secure it on the end of the wheel axle.
- Pull on the .437 cap nut to make sure the rear wheel assembly is secure.

18

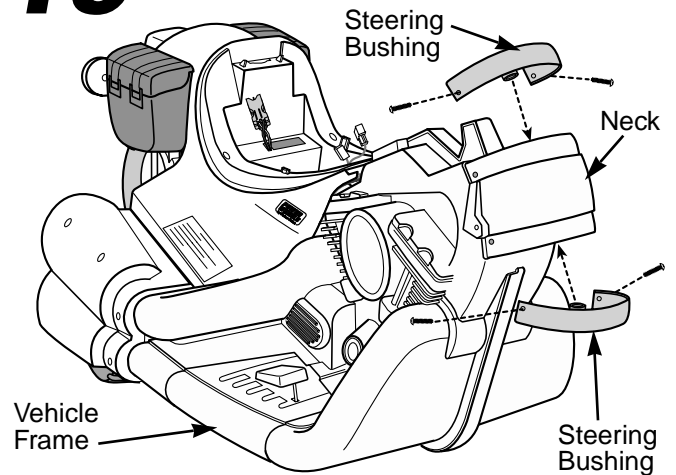


Back View

- Lift the pretend buckles on a saddle bag to open the saddle bag.
- Fit the tab on the back surface of the saddle bag into the notch on one side of the rear fender.
- Insert three #8 x 3/4" screws through the holes on the inside of the saddle bag.

Note: The lower screw inserts through holes in the saddle bag and vehicle body, and then attaches to the vehicle frame. Make sure all the screw holes are aligned.

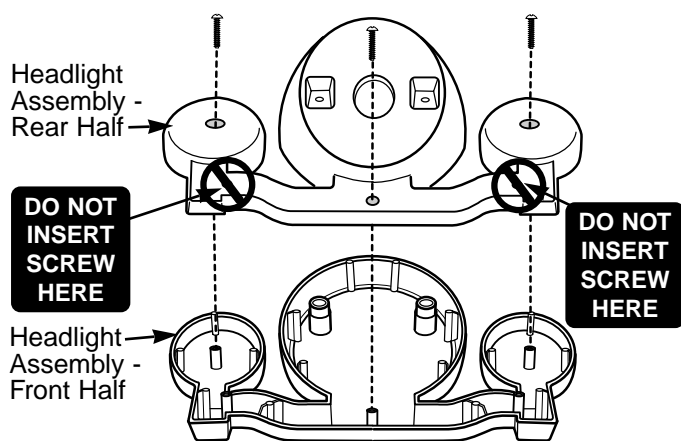
19



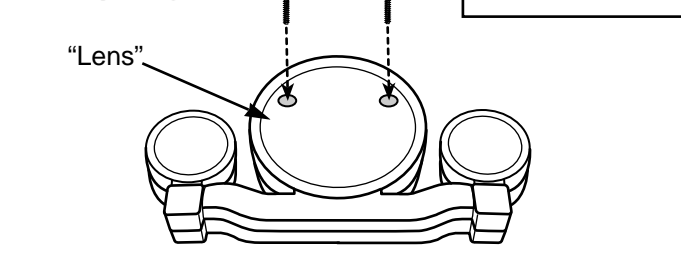
- Position the vehicle frame so that the front faces you.
- Fit a steering bushing on top of the neck of the vehicle frame.
- Fit the other steering bushing underneath the neck.
- Insert two #8 x 3/4" screws through the side of each steering bushing and into the neck. Tighten all four screws using a Phillips screwdriver. Do not over-tighten.

Assembly

20a

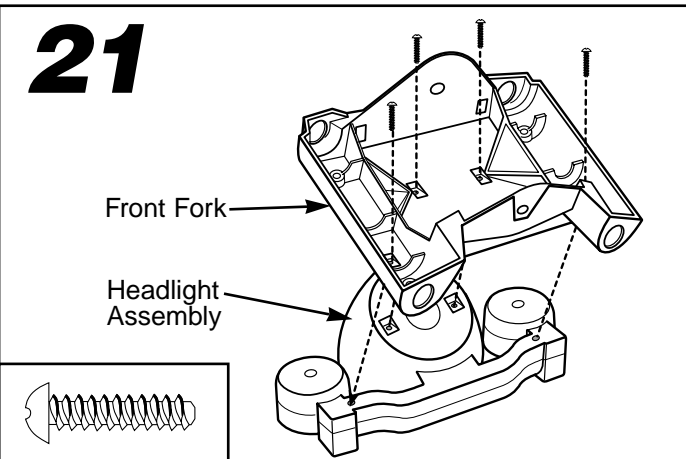


20b



- Fit the two halves of the headlight assembly together.
- Insert three #8 x 3/4" screws into the rear of the headlight "housing", as shown (20a).
- Turn the headlight assembly upright so the headlight "lens" faces you. Insert two #8 x 3/4" screws into the front of the headlight "lens" (20b).
- Tighten all five screws using a Phillips screwdriver. Do not over-tighten.

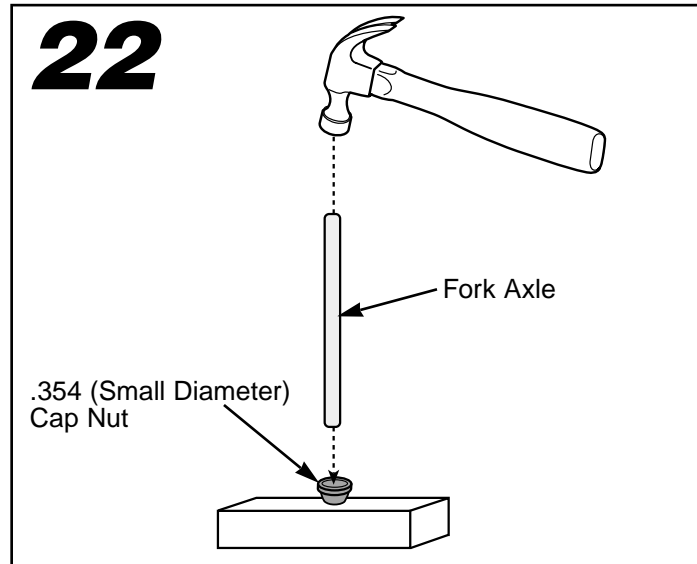
21



- Position the headlight assembly "lens" side down on a flat surface.
- Fit the front fork onto the back of the headlight assembly as shown.

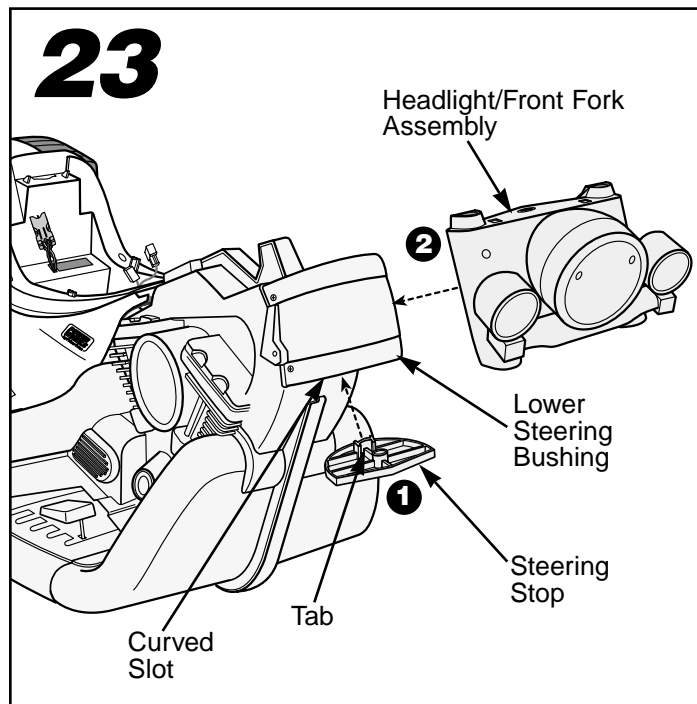
- Insert four #8 x 3/4" screws through the front fork and into the headlight assembly.
- Tighten the screws with a Phillips screwdriver. Do not over-tighten.

22



- Place a .354 (small diameter) cap nut on a flat surface, inside up.
- Fit the end of the fork axle into the cap nut.
- Tap the opposite end of the fork axle with a hammer to secure the cap nut on the axle. Pull on the cap nut to make sure it is securely assembled.

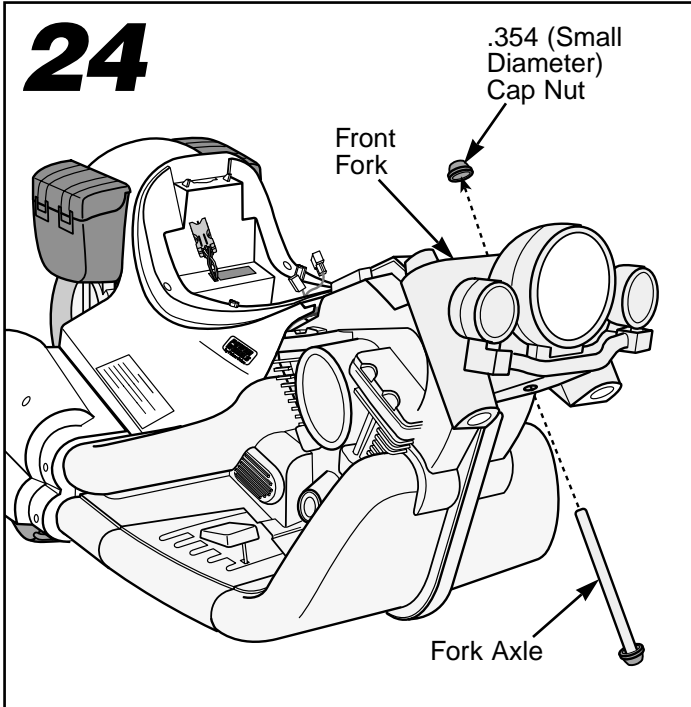
23



- Fit the tab on the steering stop into the curved slot in the lower steering bushing ①.
- Hold the steering stop in place.
- Slide the headlight/front fork assembly on the neck of the vehicle frame and over the steering stop ②.

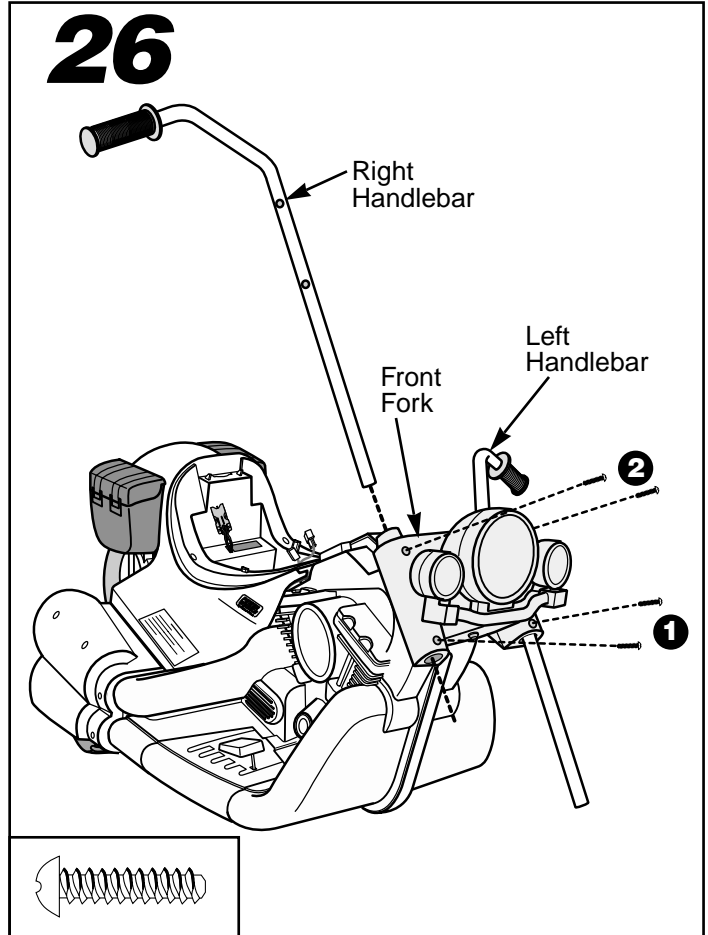
Assembly

24



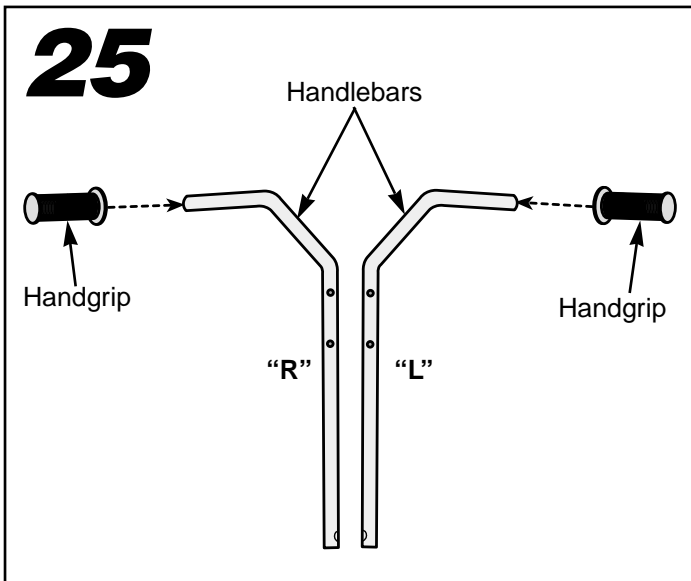
- Slide the fork axle up into the bottom of the front fork, through the neck and steering stop, and out the top of the front fork.
- Fit a .354 (small diameter) cap nut on the end of the fork axle.
- Support the fork axle and tap the cap nut with a hammer to secure it on the end of the axle.
- Pull on the .354 cap nut to make sure it is secure on the fork axle.

26



- Slide the right and left handlebars through the holes in the front fork.
- Align the screw holes in each handlebar with the screw holes in the front fork.
- Insert a #8 x $\frac{3}{4}$ " screw through each front fork and into each **lower hole** in each handlebar **1**. Tighten the screws with a Phillips screwdriver. Do not over-tighten.
- Insert a #8 x $\frac{3}{4}$ " screw through each front fork and into each **upper hole** in each handlebar **2**. Tighten the screws with a Phillips screwdriver. Do not over-tighten.

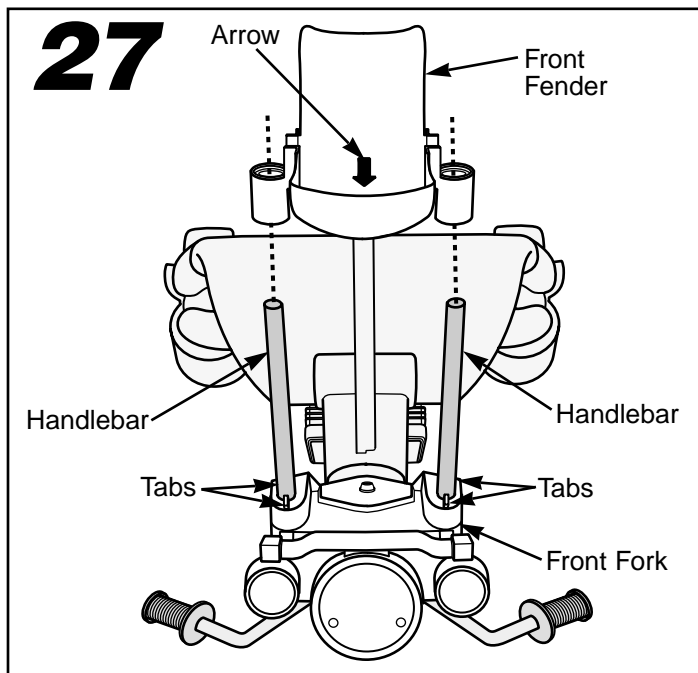
25



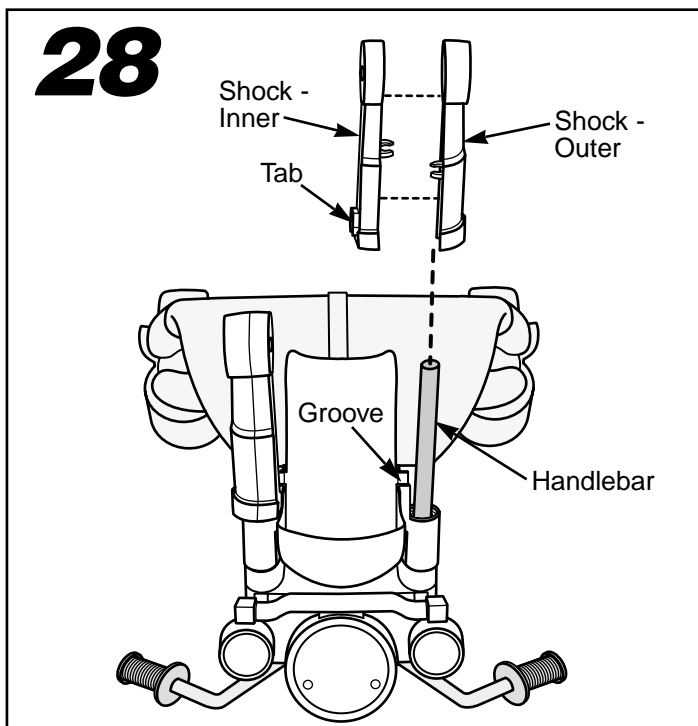
- Fit a handgrip on the end of each handlebar.
- Note the R (right) and L (left) markings on the handlebars.

Note: If it is difficult to slide the handgrips onto the handlebars, moisten the inside of the handgrips with water.

Assembly

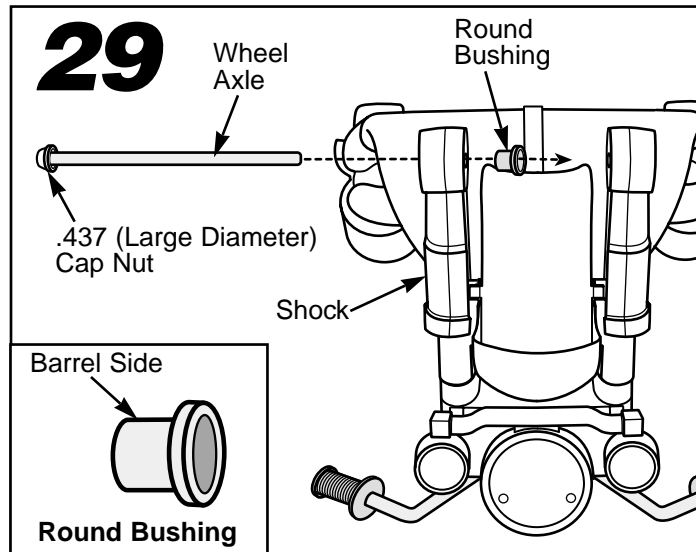


- Position the vehicle upside down.
- Note the arrow on the underside of the front fender.
- Position the front fender so that the arrow points towards the front of the vehicle. Slide the fender onto the ends of the handlebars. Make sure the pegs on the fender slide over the tabs on the front fork.



- Using safety scissors, separate the shock set pieces from the plastic connectors. Dispose of the plastic connectors properly.
- Fit and hold an inner and outer shock half together.
- While holding the shock together, fit it onto the end of a handlebar.

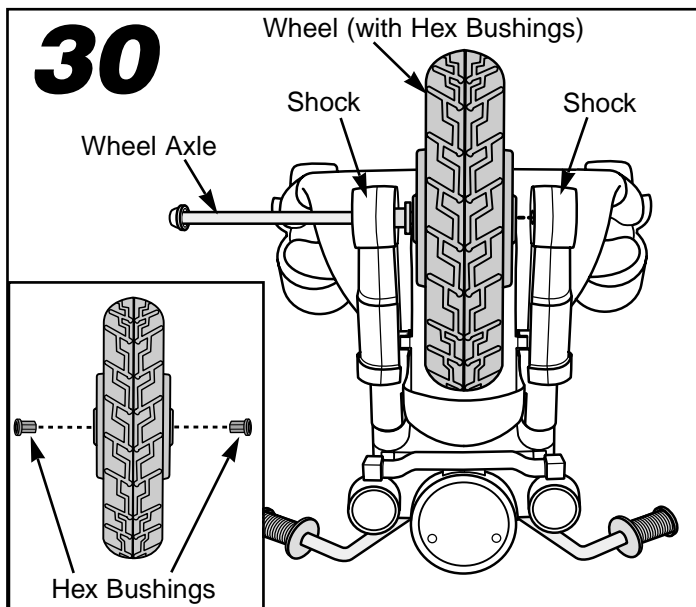
- Push firmly to slide the shock onto the handlebar making sure that the tab on the inner shock half fits into the groove in the fender.
- Repeat this procedure to slide the remaining shock on the other handlebar.



- Being careful to keep the shocks correctly positioned, align the hole in a shock with the hole in the handlebar. Slide the remaining wheel axle with .437 cap nut (assembled in step 13) through one shock.

Hint: If the hole in the shock and handlebar do not align, the front fender is not properly seated on the front fork. Reposition the front fender to align the holes.

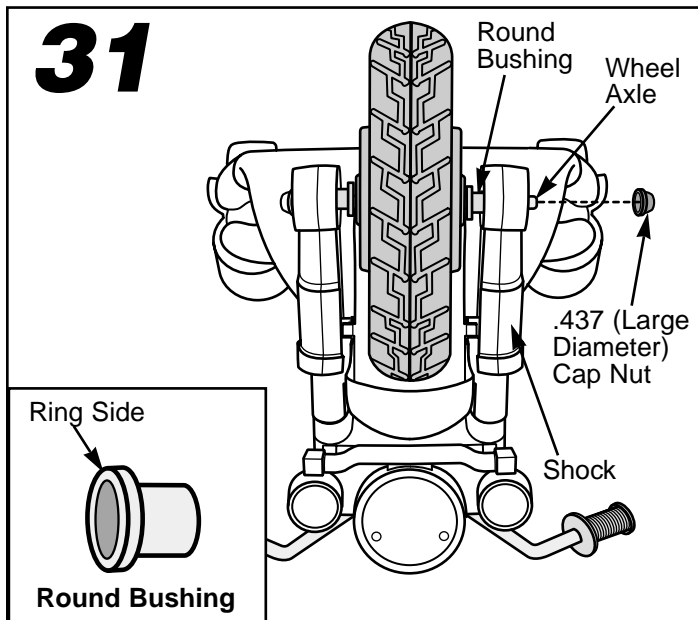
- Fit a round bushing, barrel side first, onto the end of the wheel axle.



- Fit two hex bushings into the center hole in the remaining wheel (see inset).
- While holding the hex bushings in place, position the wheel between the shocks.
- Continue to slide the wheel axle through the wheel.

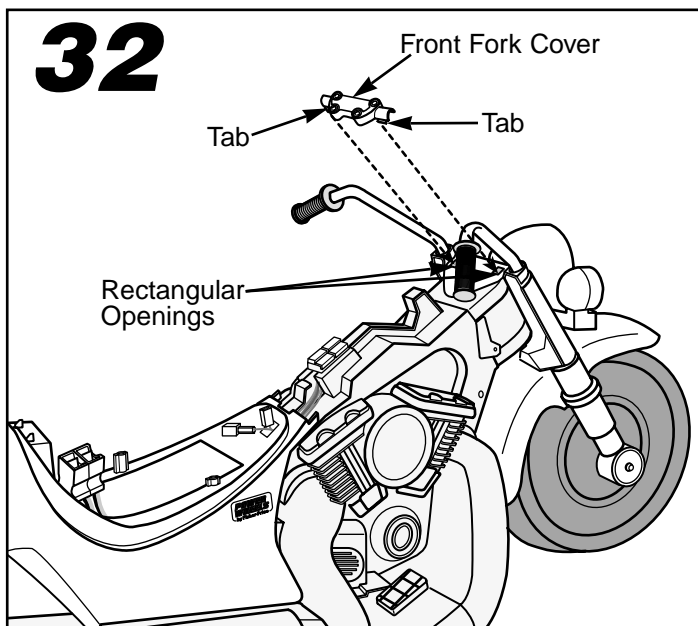
Assembly

31



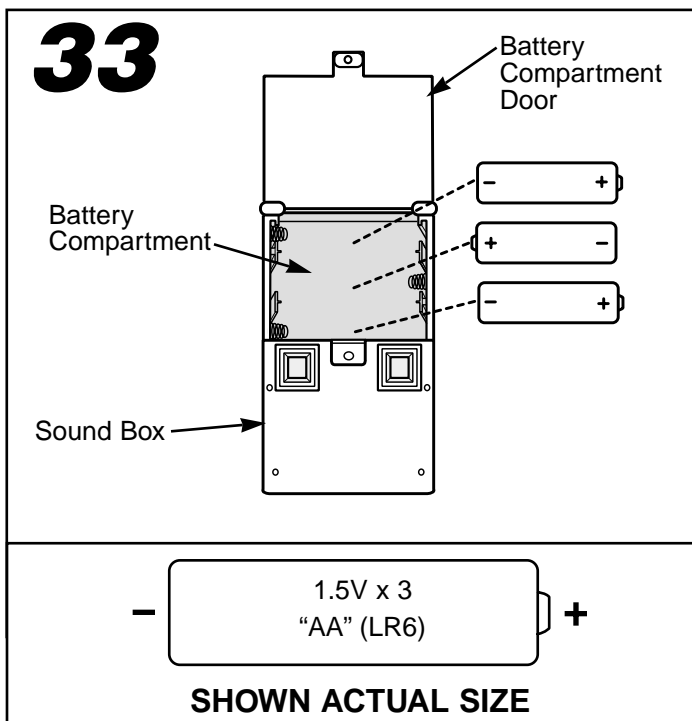
- Fit a round bushing, ring side first, between the wheel and the shock.
- Hint: You may need to push the shock outward slightly to fit the round bushing.*
- Continue to slide the wheel axle through the round bushing and then the shock.
- Fit a .437 (large diameter) cap nut on the end of the wheel axle.
- Support the opposite end of the wheel axle and tap the cap nut with a hammer to secure it on the end of the wheel axle.
- Pull on the .437 cap nut to make sure the front wheel assembly is secure.

32



- Position the vehicle upright.
- Fit the tabs on the front fork cover into the rectangular openings in the top of the front fork and push firmly to snap the cover to the front fork.

33



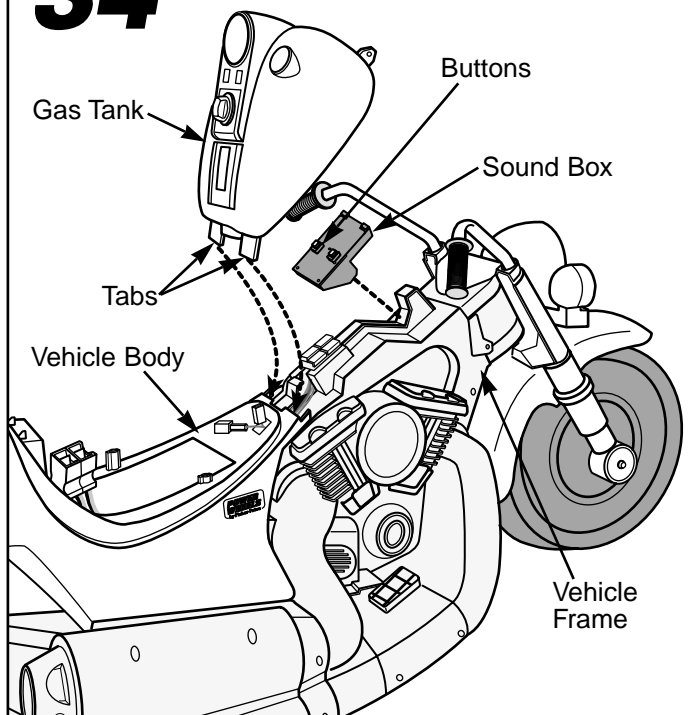
- Loosen the screw in the sound box battery compartment door using a Phillips screwdriver and open the battery compartment.
- Insert three “AA” (LR6) alkaline batteries in the sound box as indicated in the battery compartment.
- Hint: For longest battery life, use only alkaline batteries.*
- Close the battery compartment door and tighten the screw using a Phillips screwdriver. Do not over-tighten.

Battery Tips

- Do not mix old and new batteries.
- Do not mix different types of batteries: alkaline, standard (carbon-zinc) or rechargeable (nickel-cadmium).
- Remove the batteries during long periods of non-use. Always remove exhausted batteries from the sound box. Battery leakage and corrosion can cause damage. Dispose of batteries safely.
- Never short circuit the battery terminals.
- Non-rechargeable batteries are not to be recharged.
- Only batteries of the same or equivalent type as recommended in these instructions are to be used.
- If removable rechargeable batteries are used, they are only to be charged under adult supervision.
- Rechargeable batteries are to be removed from the sound box before they are charged.
- If you use a battery charger, it should be examined regularly for damage to the cord, plug, enclosure and other parts. Do not use a damaged battery charger until it has been properly repaired.
- When sound from the vehicle becomes faint, or if the sound stops working, it's time to replace the batteries.

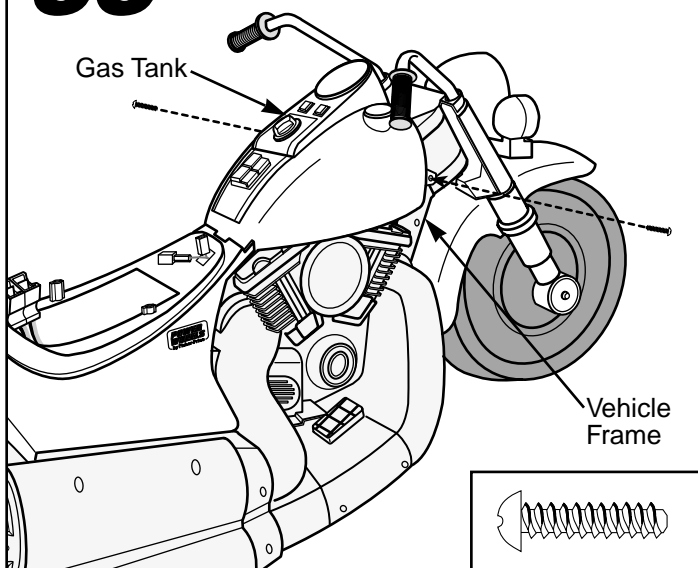
Assembly

34



- Balance the sound box on the vehicle body. (The speaker should face down.)
- Fit the tabs at the bottom of the gas tank under the front end of the vehicle body.
- Lower the gas tank on the vehicle frame, making sure that the two small square openings in the gas tank fit over the buttons on the sound box.

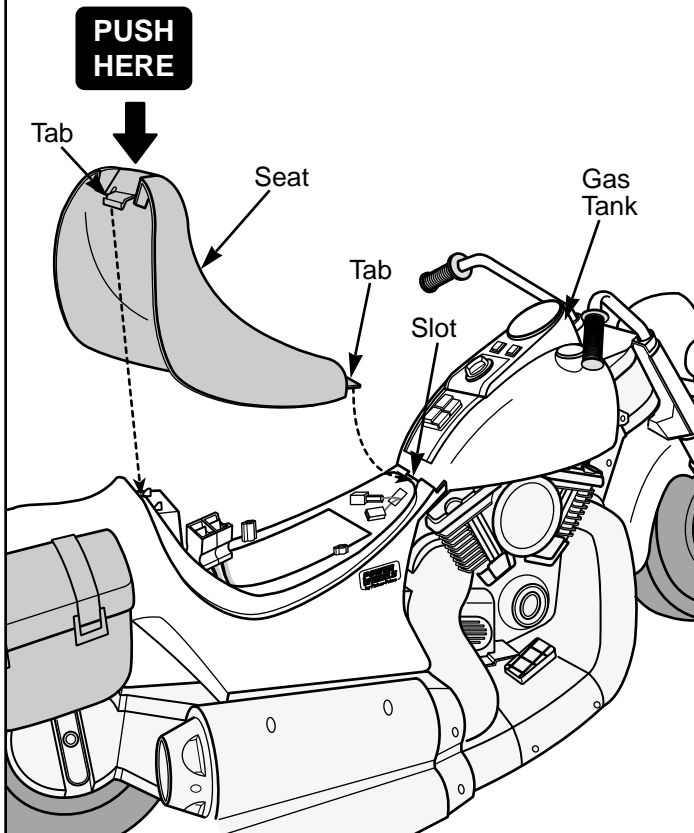
35



- Insert a #8 x 3/4" screw through the hole in each side of the gas tank and into the vehicle frame.
- Tighten the screws with a Phillips screwdriver. Do not over-tighten.

Hint: To replace the batteries in the sound box, simply remove the screws from the gas tank and remove the gas tank from the vehicle frame. After replacing the batteries, be sure to replace the sound box, gas tank and screws.

36



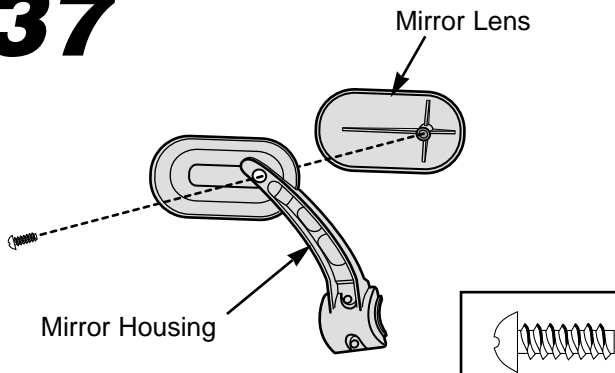
Note: You may want to install the Power Wheels® 6 volt batteries before assembling the seat. Please see "Battery Installation" on page 24 for detailed instructions.

- Fit the tab on the front of the seat into the slot near the gas tank.
- Push down firmly near the back of the seat to snap it to the vehicle.

Hint: You will need to remove the seat to access the high speed connector and to charge the 6 volt batteries. To remove the seat, press the tab at the back of the seat and lift.

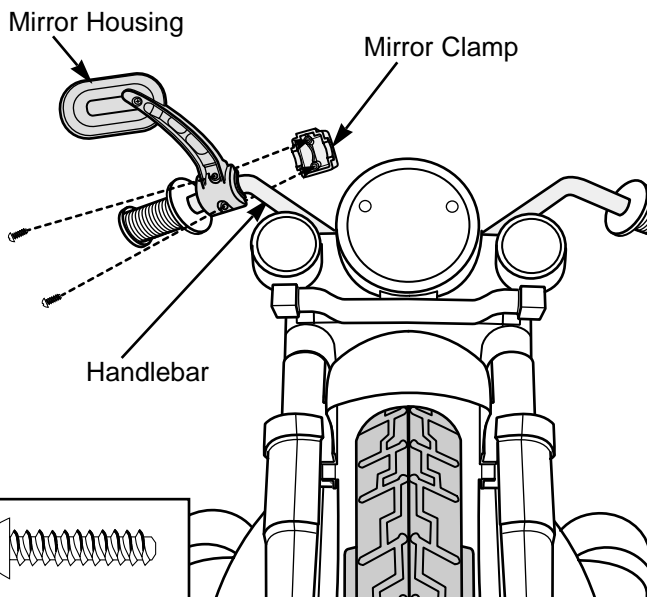
Assembly

37



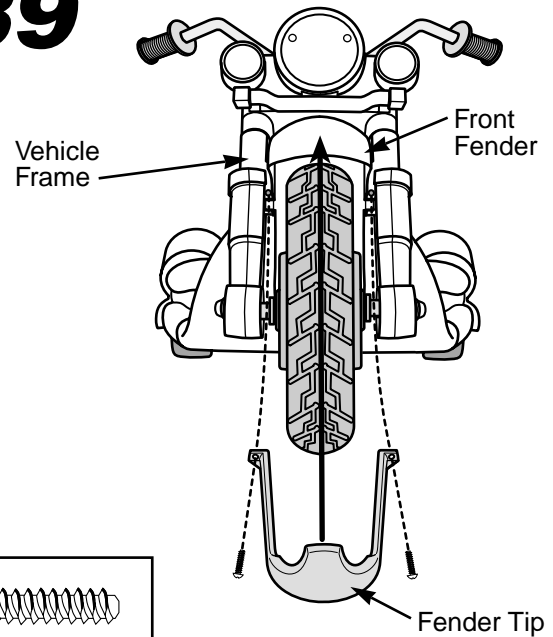
- Fit a mirror lens to a mirror housing.
- Insert a #8 x 1/2" screw through the back of the mirror housing into the mirror lens. Tighten the screw with a Phillips screwdriver. Do not over-tighten.
- Repeat this procedure to assemble the other mirror lens to the remaining mirror housing.

38



- Fit a mirror housing to a handlebar, as shown.
- Fit and hold a mirror clamp to the other side of the handlebar.
- Insert two #8 x 3/4" screws through the back of the mirror housing and into the mirror clamp.
- Using a Phillips screwdriver, tighten the screws to hold the mirror housing upright. Do not over-tighten.
- Repeat this procedure to assemble the remaining mirror housing to the other handlebar.

39



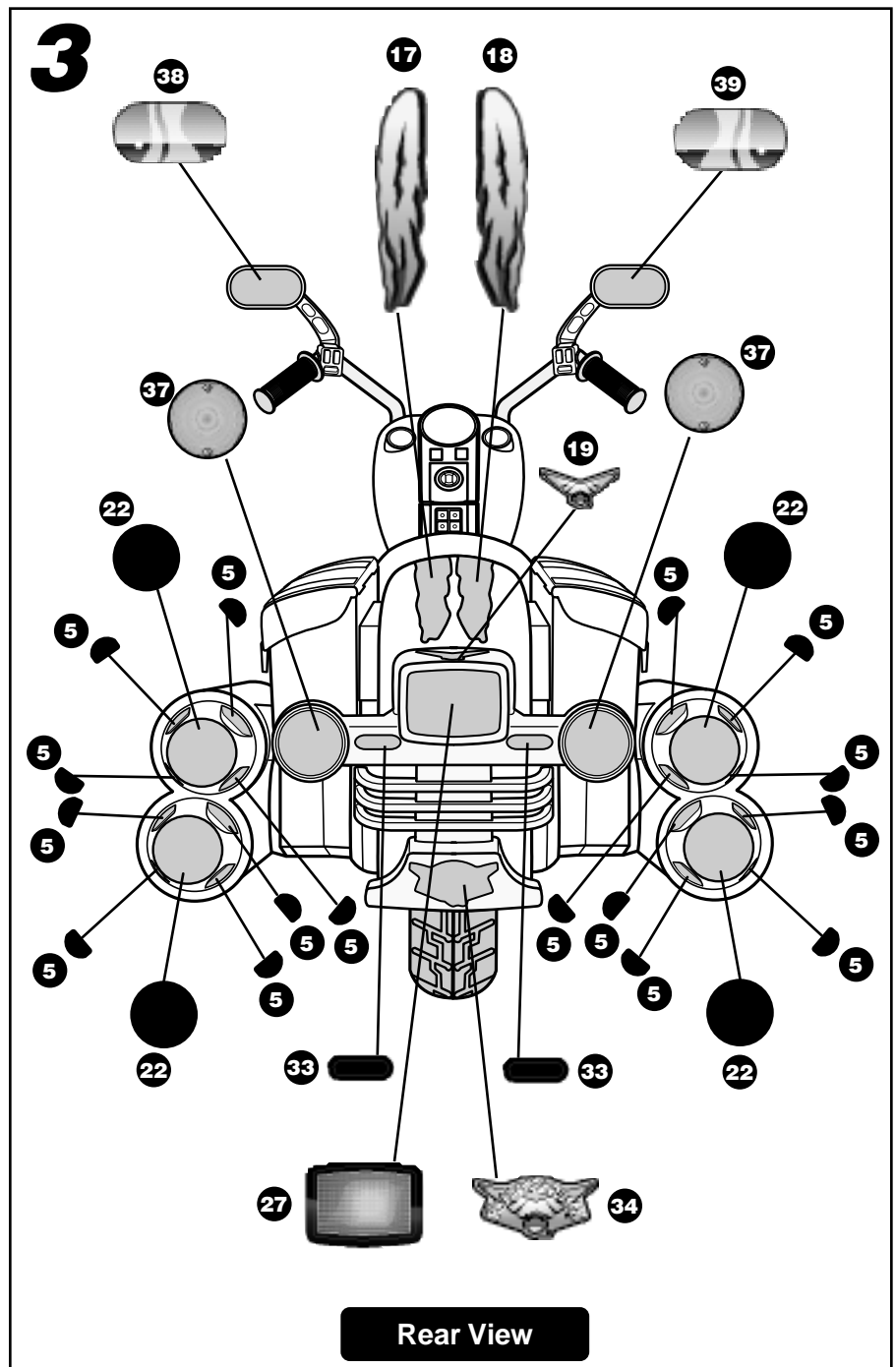
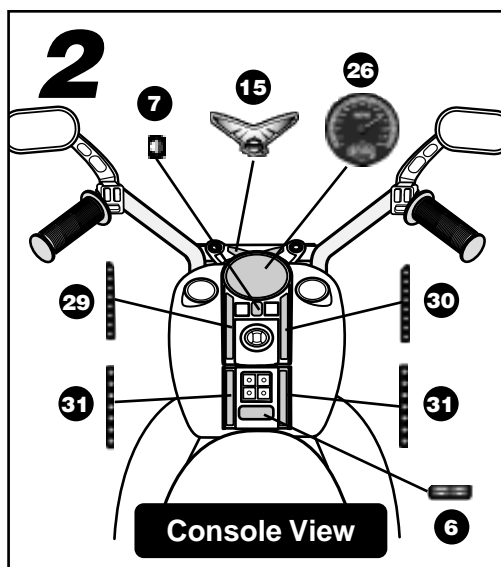
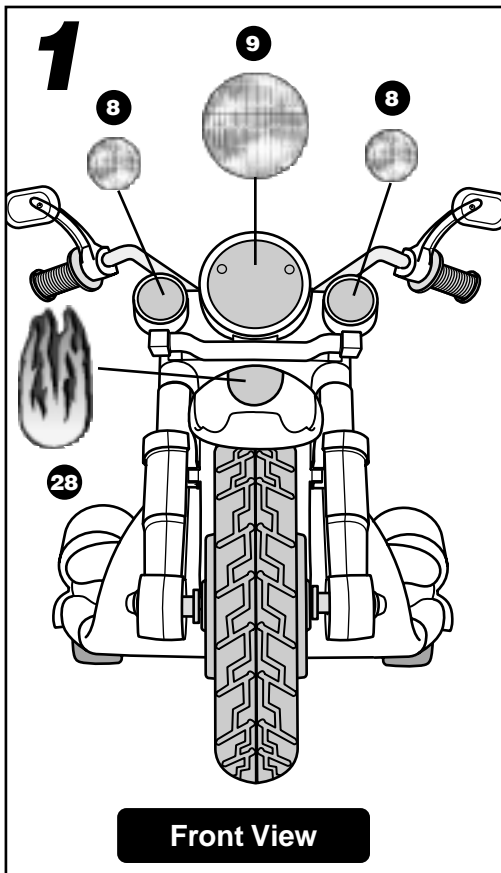
- Fit the fender tip onto the front of the fender.
- Insert two #8 x 3/4" screws through the fender tip and into the vehicle frame. Tighten the screws with a Phillips screwdriver. Do not over-tighten.

G

Label Decoration

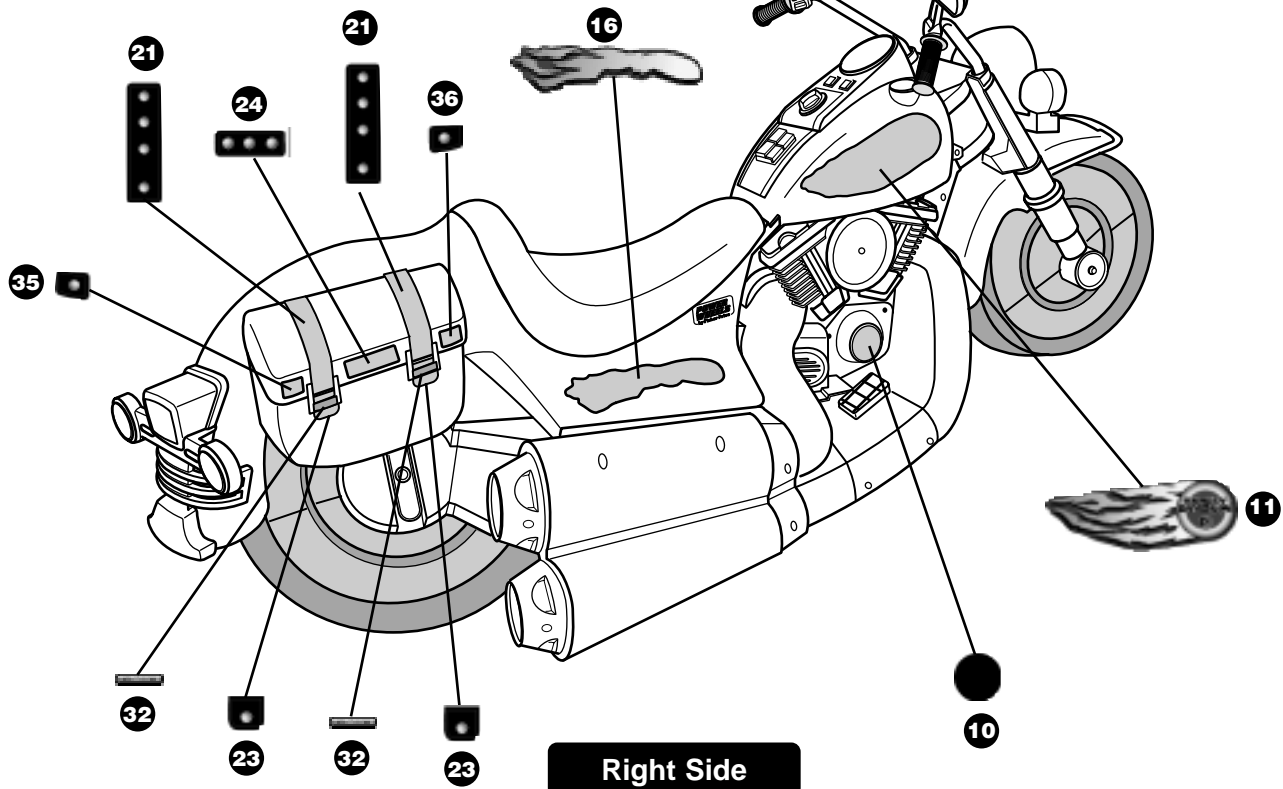
Proper label application will help to keep the labels looking their best! When applying labels, keep the following guidelines in mind:

- Wash your hands before applying the labels.
- Before applying the labels, wipe the surface of the vehicle with a clean, dry cloth to remove any dust or oils.
- Place the labels exactly as shown in the illustrations.
- For best results, avoid repositioning a label once it has been applied to the vehicle.
- After applying a label, rub the label firmly with a clean, dry cloth to make sure the label is adhered to your vehicle. Start at the center of a label, and smooth towards the outer edges to remove air bubbles.

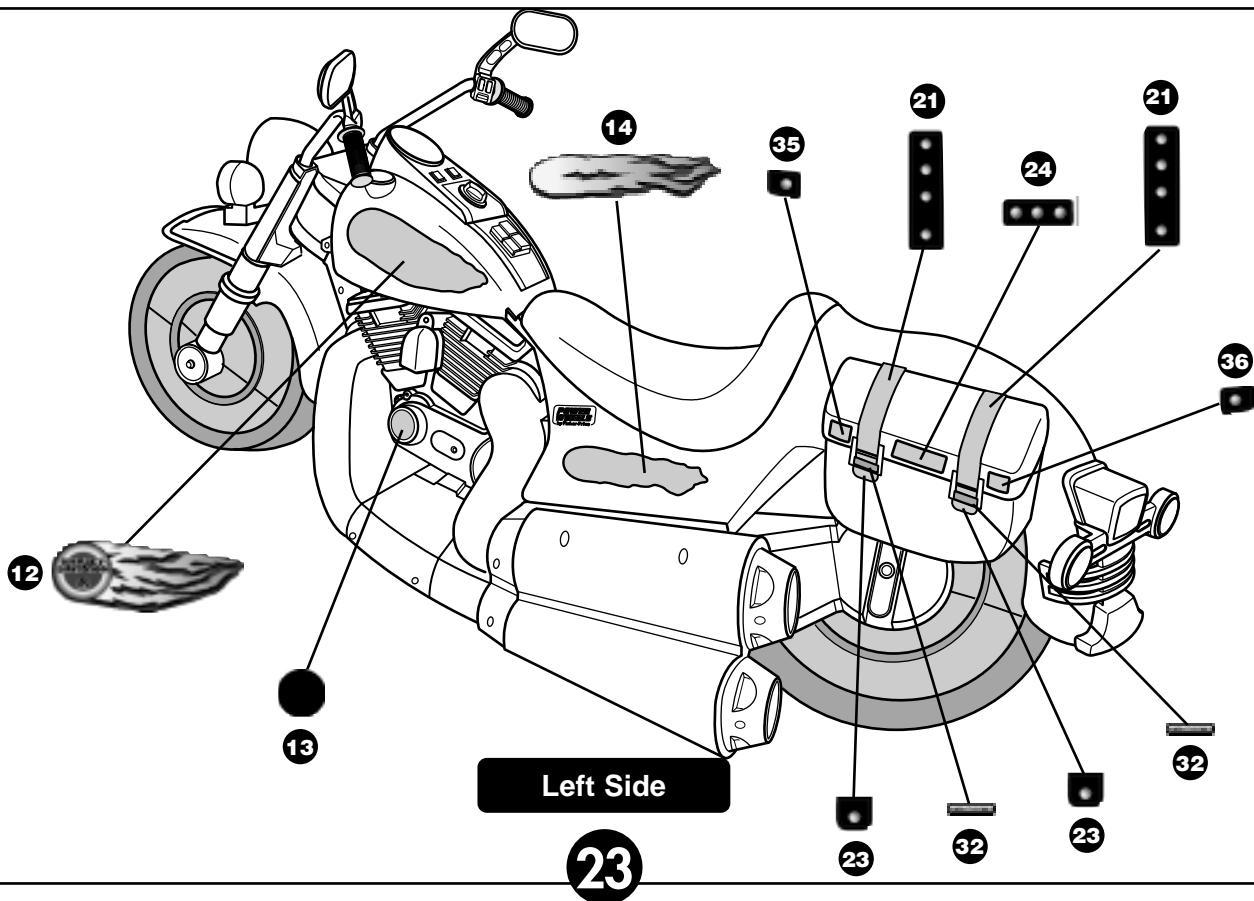


Label Decoration

4



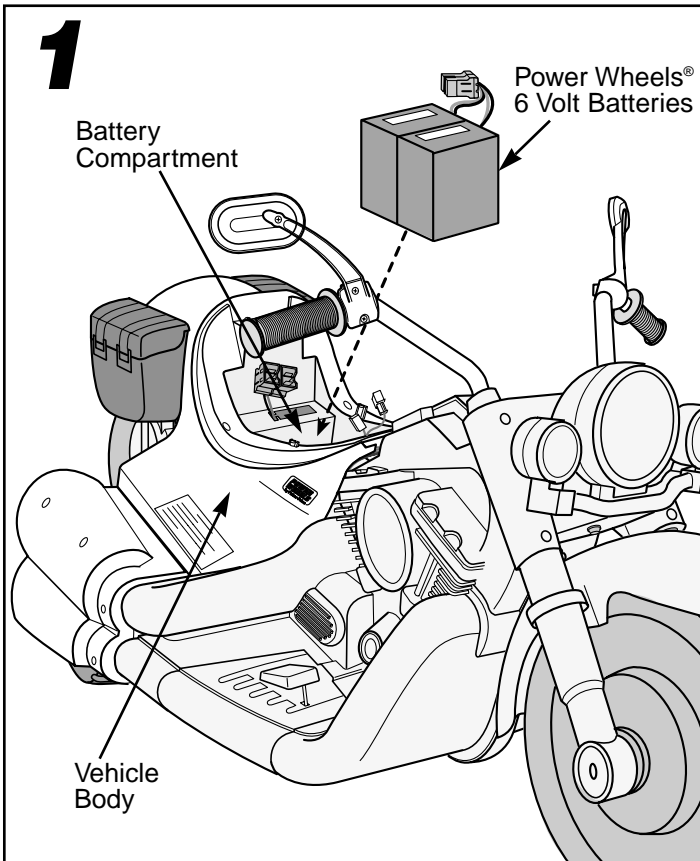
5



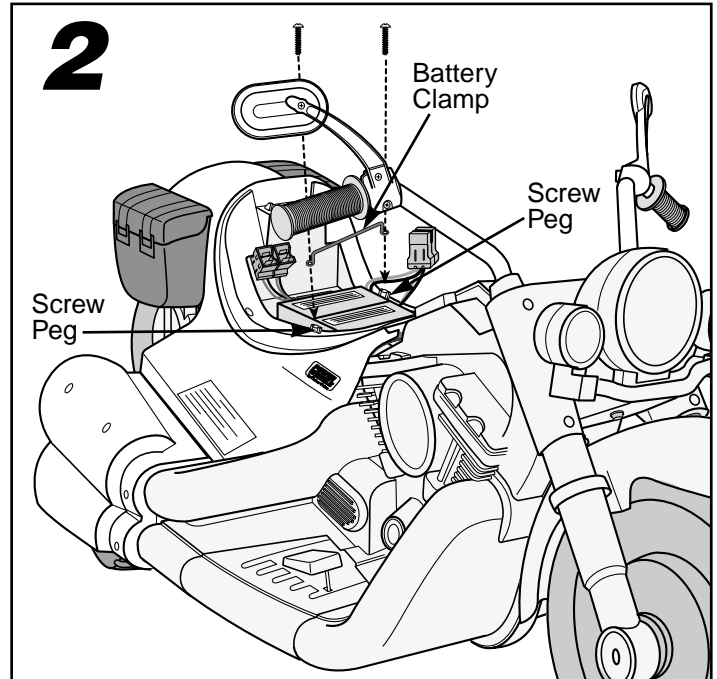
H

Battery Installation

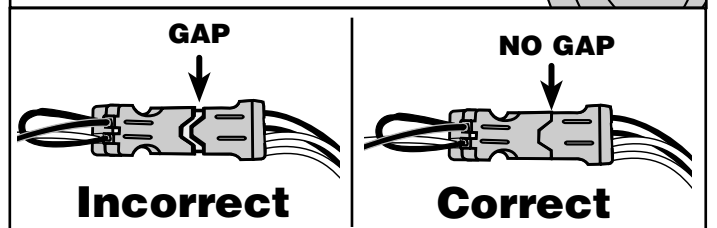
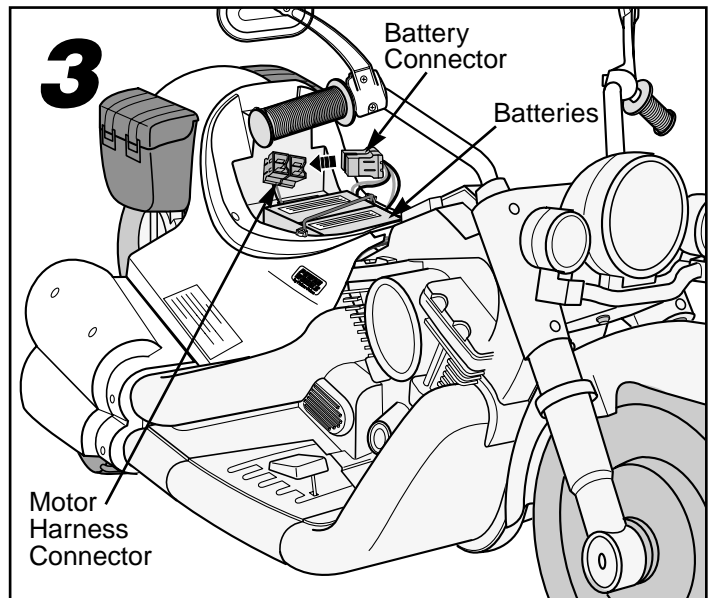
IMPORTANT! Use only Power Wheels® 6 volt batteries with A-style connectors and built-in thermal fuses. **Power Wheels® 6 volt batteries with external thermal fuses will not fit in the battery compartment of this vehicle.** Use of any other batteries or fuses will damage your vehicle. Make sure that you charge the batteries for at least 18 hours using the enclosed Power Wheels® 12 volt charger **before operating your vehicle for the first time.** Charge the batteries for at least 14 hours after each use of the vehicle. Never charge the batteries longer than 30 hours. Failure to follow these instructions may damage your batteries and will void your warranty.



- Place the Power Wheels® 6 volt batteries upright in the battery compartment. **Make sure that the battery connectors extend toward the left side of the vehicle.**



- Fit the battery clamp over the batteries diagonally.
- Insert a screw through each end of the battery clamp and into the screw pegs on the vehicle body.
- Tighten the screws using a Phillips screwdriver. Do not over-tighten.



- Plug the battery and motor harness connectors together. Push firmly to snap the two connectors together.

I

Battery Care and Disposal

Care

If a battery leak develops, avoid contact with the leaking acid and place the damaged battery in a plastic bag. See information below for proper disposal.

If acid comes in contact with skin or eyes, flush with cool water for at least 15 minutes and call a physician.

If acid is internally ingested, give water, milk of magnesia or egg whites immediately. Never give emetics or induce vomiting. Call a physician.

- Charge new batteries for at least 18 hours before first use. Never charge the batteries longer than 30 hours. Overcharging or undercharging the batteries may shorten battery life and decrease vehicle running time.
- After the first charge, recharge the batteries for at least 14 hours after each use. Never charge the batteries longer than 30 hours. Charge the batteries after each use, regardless of how long the vehicle was used.
- The batteries must be upright while charging.
- Do not allow the batteries to run down completely before charging.
- Charge the batteries before storing the vehicle.
- Charge the batteries at least once per month, even if the vehicle has not been used.
- Leaving the batteries in a discharged condition will ruin them.
- Always remove an exhausted battery from the vehicle. Battery leakage and corrosion can damage the vehicle.
- Do not store the batteries on a surface which could be damaged by the acid contained inside the batteries. Take precautions to protect the surface on which you store the batteries.
- Do not store the batteries in temperatures above 75° F or below -10° F.
- When you purchase replacement Power Wheels® batteries, you should buy them as a set. Using an older battery with a new battery may result in poor performance and may cause permanent damage to both batteries. Use only Power Wheels® 6 volt batteries with A-style connectors and built-in thermal fuses. Remember to charge new batteries for at least 18 hours before first use.
- Prevent the batteries from moving freely inside the battery compartment. Always use the battery clamp to secure the batteries in the battery compartment.
- Examine the batteries, charger and their connectors for excessive wear or damage each time you charge the battery. If damage is detected, do not use the charger or the batteries until you have replaced the worn or damaged part.

Battery Care and Disposal

Disposal



- Your Power Wheels® batteries are sealed lead-acid batteries. They must be recycled or disposed of in an environmentally sound manner.
- Do not dispose of a lead-acid battery in your regular, household trash. The incineration, landfilling or mixing of sealed lead-acid batteries with household trash is prohibited by law in most areas.
- Return exhausted batteries to a federal or state approved lead-acid battery recycler, such as a Power Wheels® authorized service center or a local seller of automotive batteries. For the authorized service center location nearest to you, please call 1-800-348-0751. Contact your local waste management officials for other information regarding the environmentally sound collection, recycling and disposal of lead-acid batteries. If you live in the State of Florida or the State of Minnesota, it is prohibited by law for anyone to throw away lead-acid batteries in the municipal waste stream.

J

Caring For Your Vehicle

- Check all screws, cap nuts and their protective coverings regularly and tighten as required. Check plastic parts on a regular basis for cracks or broken pieces.
- During snowy or rainy weather, the vehicle should be stored inside or under a protective cover. Remember to charge the batteries at least once per month while your vehicle is not in regular use.
- Avoid operating the vehicle in wet or snowy conditions, and do not spray the vehicle with a hose. Do not wash the vehicle with soap and water. Water or moisture in the motors or electrical switches can cause them to corrode, and could cause switch or motor failure.
- Avoid operating the vehicle on sand, loose dirt or gravel. Sand, loose dirt or gravel in the motors or electrical switches can cause them to jam, and could cause switch or motor failure.
- The vehicle can be wiped down with a soft, dry cloth. For a shiny finish, you can wipe plastic parts with a non-wax furniture polish applied to a soft-cloth. Do not use automotive wax. Do not use soap and water or spray the vehicle with a hose.
- To ensure that your vehicle stays in good operating order, we recommend that you periodically have your vehicle checked by a Power Wheels® authorized service center. See page 32 for the list of authorized service centers or call **1-800-348-0751** for the location of the authorized service center nearest you.

RIDING HAZARD



WARNING

Prevent Injuries and Deaths

- Direct Adult Supervision Required.
- Keep Children Within Safe Riding Areas

These areas must be:

- away from swimming pools and other bodies of water to prevent drownings.
- generally level to prevent tipovers.
- away from steps, driveways, roads and alleys.

Teach Safety Rules to Children

While children can quickly develop the skill necessary to drive this vehicle, it is important to remember that their judgment skills are still very immature. Unsupervised driving by children can lead to serious injury. Before children use this vehicle, an adult should carefully evaluate the driving area as well as the children's skill level and ability to drive this vehicle safely. Children are not always able to recognize or anticipate hazards, even when they have been taught about them. **THERE IS NO ACCEPTABLE SUBSTITUTE FOR DIRECT ADULT SUPERVISION.**

Teach appropriate safety rules to your child before allowing operation of this vehicle. These rules should also be reviewed with neighborhood children or other playmates who want to drive this vehicle.

Riding Rules

Make sure children know and follow these rules for safe driving:

1. Always sit on the seat.
2. Always wear shoes.
3. Only 1 (one) rider at a time. A child who is not sitting on the seat or who is standing on the vehicle could fall off, cause a tip-over or block the driver's view. A child could be seriously injured.
4. Do not allow any child to drive the vehicle in the street or near moving (motorized) vehicles.
5. Do not allow any child to drive near bodies of water (such as pools or creeks), obstructions (such as furniture, low tree limbs or play equipment), or drop-offs (such as stairs or decks).
6. Do not allow any child to drive the vehicle in the dark. A child could encounter unexpected obstacles and have an accident. Operate the vehicle only in the daytime or a well-lit area.

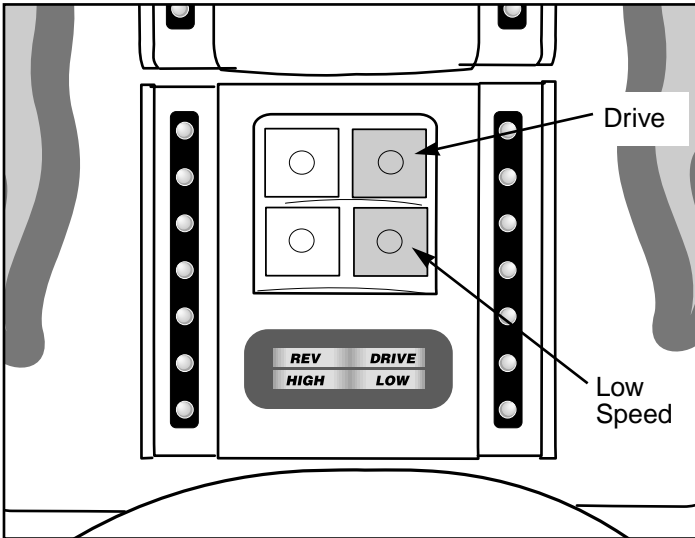
7. Do not allow your child to drive on sloped or inclined surfaces. **Restrict your child's driving to generally level ground ONLY!**
8. Do not allow your child to drive down or across a steep slope.
 - The vehicle may gain unsafe speed, even if the button is released to stop.
 - The vehicle may tilt and tip over.
 - The wheels could lose traction, causing the vehicle to slip.
9. Do not allow your child to drive up steep inclines. The motor may stop and the vehicle could roll backwards at an unsafe speed.
10. Never put anything near any moving parts. Rotating parts such as motors, gear boxes and wheels can snag fingers, hair, etc., causing serious injury. Do not allow operation of the vehicle when it is on its side or in an upside-down position.
11. Do not operate the vehicle near flammable vapors (gasoline, paint thinner, acetone, liquid wax, etc.). The vehicle's electrical switches, like most electrical switches, emit an internal spark when first turned on or turned off. The presence of flammable liquids or vapors could cause an explosion or a fire. Keep all flammable products in tightly sealed containers and away from the vehicle.
12. Do not allow a child to operate the vehicle without direct adult supervision. To prevent unsupervised use of the vehicle, disconnect the motor harness from the battery when the vehicle is not in use.

L

How to Operate Your Vehicle

As assembled, your vehicle is ready to roll in low speed (2½ mph, maximum). When your child is ready to drive the vehicle in high speed (5 mph, maximum), follow the instructions to on page 28 connect the high speed hook-up.

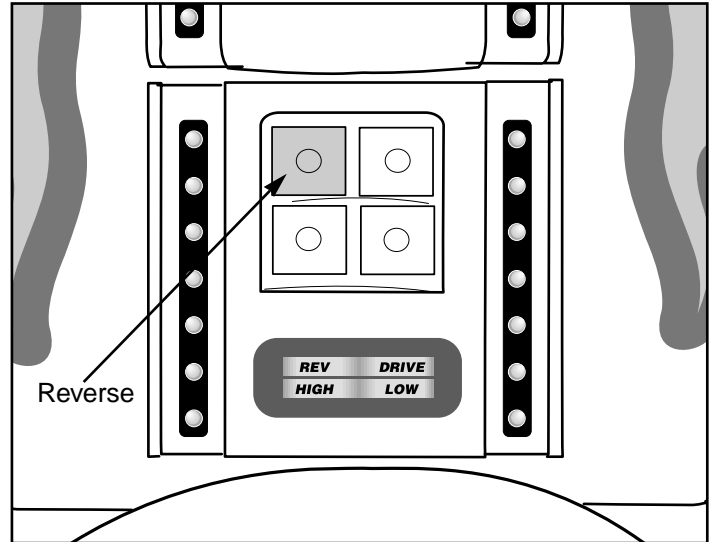
Beginner Use - Low Speed Drive



- Press the **DRIVE** and **LOW SPEED** buttons on the console.
- Press the foot pedal. The vehicle will drive forward at a maximum of 2½ mph.
- Help your child practice steering to learn how far and how quickly to turn the handlebar when driving forward in low speed.

To Back Up

IMPORTANT! To prevent damaging the motors and gears, teach your child to **stop the vehicle before switching direction**. Never shift from drive (LOW or HIGH) to reverse, or from reverse to drive, without stopping.

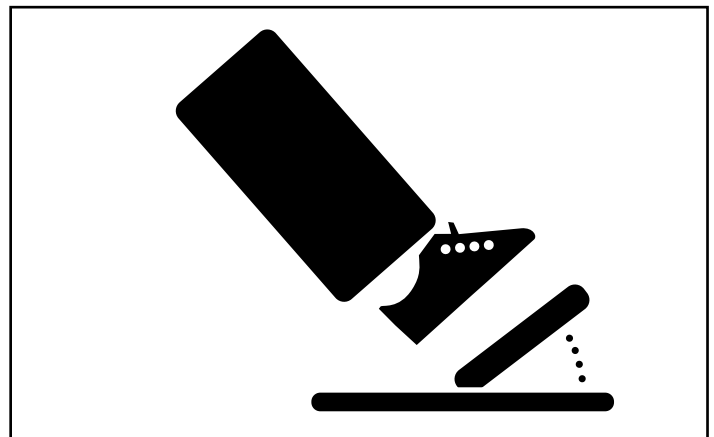


- Press the **REVERSE** button on the console.
- Press the foot pedal. The vehicle will back-up at a maximum of 2½ mph.

Note: The vehicle is designed to operate in low speed only in reverse.

- Help your child practice steering to learn how far and how quickly to turn the handlebar when driving in reverse.

To Stop

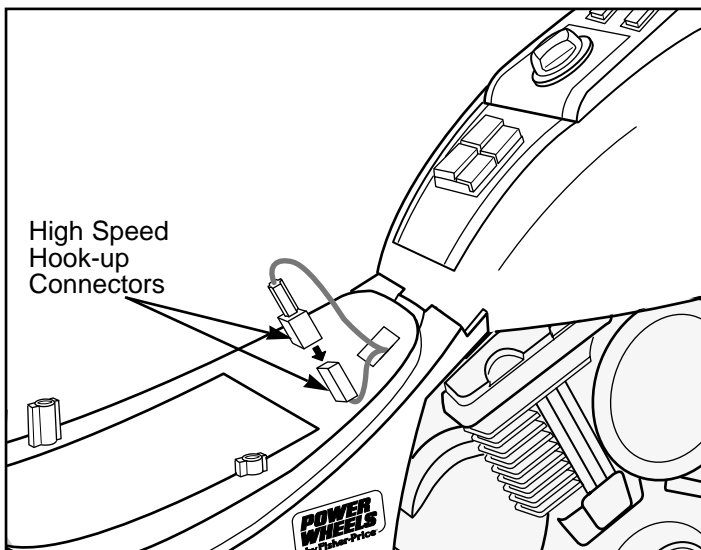


- Your vehicle has a patented, electronic braking system that automatically stops the vehicle when your child's foot is lifted from the pedal.
- Make sure your child is comfortable with steering the vehicle and automatically knows how to stop.

How to Operate Your Vehicle

Advanced Use - High Speed Drive

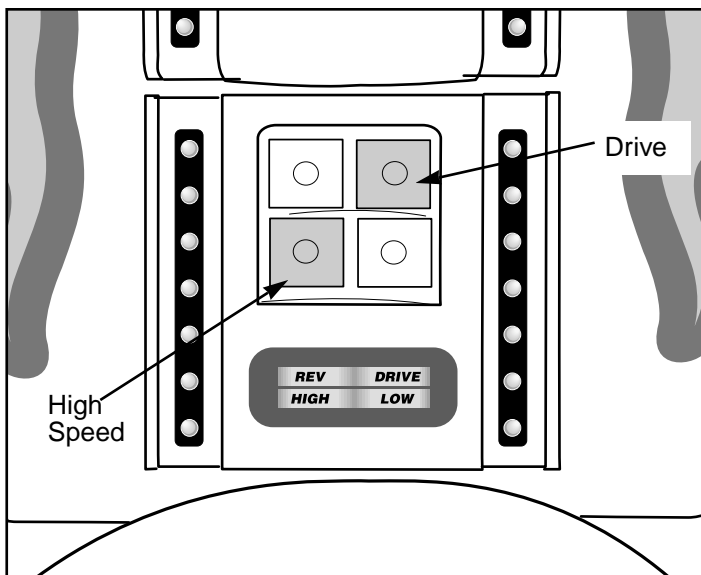
Connecting the High Speed Hook-up



- Remove the vehicle seat to access the high speed hook-up.
- Plug the two high speed hook-up connectors together. Make sure the two connectors are completely joined.
- Re-assemble the vehicle seat.
- To prevent operation of the vehicle in high-speed, simply disconnect the high speed hook-up connectors.

To Drive

IMPORTANT! Teach your child not to drive the vehicle in HIGH SPEED from a stopped position. Always **start to drive in LOW SPEED** and **shift to HIGH SPEED** when already moving forward.



- Press the **DRIVE** and **LOW SPEED** buttons on the console.

How to Operate Your Vehicle

- Press the foot pedal to move forward in low speed. With the foot pedal pressed and the vehicle already moving forward, press the **HIGH SPEED** button on the console to shift the vehicle into high speed. The vehicle will drive forward at a maximum of 5 mph.
- Help your child practice steering to learn how far and how quickly to turn the handlebar when driving forward in high speed.

M

Bumper-to-Bumper* Limited Warranty

***One year limited warranty from the date of purchase on the Power Wheels® vehicle.**

Six month limited warranty on the 6 volt batteries.

For the original purchaser, this one year limited warranty covers the Power Wheels® ride-on vehicle (purchased from Power Wheels®) against defects in materials and workmanship. The six month limited warranty applies only to the 6 volt batteries included by Power Wheels® with the original purchase of the vehicle.

This warranty covers normal use and does not cover the Power Wheels® vehicle or batteries if damaged by unreasonable use, neglect, accident, abuse, misuse, improper service or other causes not arising out of defects in materials or workmanship. Evidence of any attempt at consumer repair will void this warranty. This warranty does not cover, and is intended to exclude, any liability on the part of Power Wheels®, whether under this warranty or implied by law or any indirect or consequential damages for breach of warranty. Some states do not allow the exclusion or limitation so this limitation may not apply to you.

Should you need service or assistance with your vehicle during the warranty period, **do not return the vehicle to the store.** Power Wheels® has provided a nationwide network of authorized service centers. Please refer to the list in this manual. Power Wheels® is continually expanding our Authorized Service Center Network. If there is not an authorized service center in your area, please call Consumer Relations for information, **1-800-348-0751.**

THIS WARRANTY GIVES YOU SPECIFIC LEGAL RIGHTS, AND YOU MAY ALSO HAVE OTHER RIGHTS WHICH MAY VARY FROM STATE TO STATE.

PLEASE SAVE YOUR ORIGINAL SALES RECEIPT.

N

Problems and Solutions Guide

IMPORTANT! If you experience a problem with your vehicle, first check the Problems and Solutions Guide below. If you still experience a problem, please contact Power Wheels® Consumer Relations, toll-free at **1-800-348-0751** between 8 AM and 6 PM (EST) Monday through Friday. Or, contact your local Power Wheels® authorized service center. For the location nearest you, please refer to the Authorized Service Center list beginning on page 32, or register on-line at www.powerwheels.com.

Problem	Possible Cause	Solution
Vehicle does not run	Undercharged batteries	Charge the batteries. New batteries should have been charged for at least 18 hours before using the vehicle for the first time. After first-time use, recharge the batteries for at least 14 hours after each use. Never charge the batteries longer than 30 hours.
		Check all connectors. Make sure the battery connectors are tightly plugged into the charger connector, and that the charger is plugged into the wall.
		Make sure power flow to the wall outlet is "ON".
	Charger is not working	There is no sure way to tell if your charger is working unless you have a volt meter. If you suspect there is a problem with your charger, contact your local Power Wheels® authorized service center. They can test your charger for you.
	Tripped thermal fuse	Each Power Wheels® 6 volt battery has a built-in thermal fuse. A thermal fuse may "trip" and shut down operation of the vehicle if the vehicle is overloaded or the driving conditions too severe. The fuse will automatically reset itself after approximately 25 seconds, allowing the vehicle to resume normal operation. To avoid repeated automatic shutdowns, do not overload the vehicle by exceeding the 65 lb maximum weight capacity or by towing anything behind the vehicle. Do not drive up hills or run into fixed objects, which can cause the wheels to stop spinning while power is still being supplied to the motors. If a thermal fuse continually trips, contact your local Power Wheels® authorized service center.
	Loose wire or loose connectors	Check all wires and connectors. Make sure the battery connectors are tightly plugged into the motor harness connector, and that there are no loose wires around the motors.
	Dead batteries	If your batteries are old or if you have not followed Battery Care instructions, your batteries may be dead. If you are unsure whether or not the batteries are dead, you can have them tested at your local Power Wheels® authorized service center.
	Electrical switch damage	The electrical switches can become corroded due to exposure to water or moisture, or can jam due to loose dirt, sand or gravel. Contact your local Power Wheels® authorized service center for diagnosis and repair.
Motor damage	Contact your local Power Wheels® authorized service center for diagnosis and repair.	

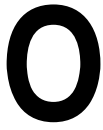
Problems and Solutions Guide

Problem	Possible Cause	Solution
Vehicle was running but suddenly stopped	Loose wire or loose connectors	Check all wires and connectors. Make sure the battery connectors are tightly plugged into the motor harness connector, and that there are no loose wires around the motors.
	Tripped thermal fuse	Each Power Wheels® 6 volt battery has a built-in thermal fuse. A thermal fuse may "trip" and shut down operation of the vehicle if the vehicle is overloaded or the driving conditions too severe. The fuse will automatically reset itself after approximately 25 seconds, allowing the vehicle to resume normal operation. To avoid repeated automatic shutdowns, do not overload the vehicle by exceeding the 65 lb maximum weight capacity or by towing anything behind the vehicle. Do not drive up hills or run into fixed objects, which can cause the wheels to stop spinning while power is still being supplied to the motors. If a thermal fuse continually trips, contact your local Power Wheels® authorized service center.
Short run time (Less than 1 - 3 hours per charge)	Undercharged batteries	Charge the batteries. New batteries should have been charged for at least 18 hours before using the vehicle for the first time. After first-time use, recharge the batteries for at least 14 hours after each use. Never charge the batteries longer than 30 hours.
		Check all wires and connectors. Make sure the battery connector is tightly plugged into the charger connector, and that the charger is plugged into the wall.
		Make sure power flow to the wall outlet is "ON".
	Overcharged batteries	Do not charge the batteries longer than 30 hours. If you suspect that your batteries are damaged as a result of overcharging, contact your local Power Wheels® authorized service center. They can test your batteries for you.
	Batteries are old and will not accept full charge	Even with proper care, a rechargeable battery does not last forever. Average battery life is 1 to 3 years depending on vehicle use and use conditions. Replace only with Power Wheels® 6 volt batteries with built-in thermal fuse. Power Wheels® 6 volt batteries with external thermal fuses will not fit in the battery compartment of this vehicle. Do not substitute parts.
	Tripped thermal fuse	Each Power Wheels® 6 volt battery has a built-in thermal fuse. A thermal fuse may "trip" and shut down operation of the vehicle if the vehicle is overloaded or the driving conditions too severe. The fuse will automatically reset itself after approximately 25 seconds, allowing the vehicle to resume normal operation. To avoid repeated automatic shutdowns, do not overload the vehicle by exceeding the 65 lb maximum weight capacity or by towing anything behind the vehicle. Do not drive up hills or run into fixed objects, which can cause the wheels to stop spinning while power is still being supplied to the motors. If a thermal fuse continually trips, contact your local Power Wheels® authorized service center.
Vehicle runs sluggishly	Undercharged batteries	Charge the batteries. New batteries should have been charged for at least 18 hours before using the vehicle for the first time. After first-time use, recharge the batteries for at least 14 hours after each use. Never charge the batteries longer than 30 hours.
		Check all connectors. Make sure the battery connectors are tightly plugged into the charger connector, and that the charger is plugged into the wall.
		Make sure power flow to the wall outlet is "ON".

Problems and Solutions Guide

Problem	Possible Cause	Solution
Vehicle runs sluggishly (cont.)	Batteries need charging	After approximately 3 hours of constant use, the batteries need charging.
	Batteries are old and will not accept full charge	Even with proper care, a rechargeable battery does not last forever. Average battery life is 1 to 3 years depending on vehicle use and use conditions. Replace only with Power Wheels® 6 volt batteries with built-in thermal fuse. Power Wheels® 6 volt batteries with external thermal fuses will not fit in the battery compartment of this vehicle. Do not substitute parts.
	Vehicle is overloaded	Make sure you do not overload the vehicle by allowing more than 1 rider at one time, exceeding the 65 lb. maximum weight capacity, or by towing objects behind the vehicle. If the vehicle is overloaded, the fuses in the batteries may "trip", and automatically shut down operation of the for approximately 25 seconds. Adjust the driving conditions to prevent repeated automatic shutdowns.
	Driving conditions are too stressful	Use only on generally level ground.
Vehicle runs in low speed but does not run in high speed (Note: The vehicle is designed to operate in low speed only in reverse.)	High speed hook-up not connected	The vehicle was pre-set to operate only in low speed until you connect the high speed hook-up. Follow the instructions on page 28 to connect High Speed Hook-up.
Sometimes the vehicle doesn't run, but other times it does	Loose wire or connector	Check all wires around the motors and all connectors to make sure they are tight.
	Motor or electrical switch damage	Contact your local Power Wheels® authorized service center for diagnosis and repair.
When the foot pedal is pressed, the vehicle won't run without a push	Loose wire or connector	Check all wires around the motors and all connectors to make sure they are tight.
	"Dead Spot" on motor	Contact your local Power Wheels® authorized service center for diagnosis and repair.
Batteries' thermal fuses constantly "trip", but the vehicle is not overloaded nor the driving conditions too severe	Damaged batteries	Contact your local Power Wheels® authorized service center for diagnosis and repair.
	Child is switching between FORWARD and REVERSE without stopping	Teach your child to stop the vehicle before switching direction.
Loud clacking or grinding noise from a motor-gearbox	Broken gears	Contact your local Power Wheels® authorized service center for diagnosis and repair.
Charger gets warm during use	It is normal for some chargers to get warm during use and is not reason for concern. Some chargers do not get warm during use.	No action required.
		If your charger does not get warm during use, it does not mean that it is not working properly.
Batteries make a sizzling or gurgling noise when charging	It is normal for some batteries to make noise and swell slightly while charging and is not reason for concern. Some batteries do not make noise or swell while charging.	No action required.
		If your batteries do not make noise or swell slightly during charging, it does not mean that they are not accepting the charge.

If, after reviewing the Problems and Solutions Guide, the vehicle still fails to operate, please contact your nearest authorized service center (see page 32) or contact Power Wheels® Consumer Relations toll-free at **1-800-348-0751**.



Authorized Service Centers

We are continually expanding our Authorized Service Center Network. Please check this listing for the Authorized Service Center nearest you. If there is not one in your area, please call Power Wheels® Consumer Relations at 1-800-348-0751.

ALABAMA

BIRMINGHAM - Frigid Service & Sales, 701 Graymont Ave. North, 35203, (205) 323-5831
BIRMINGHAM - Frigid Service & Sales, 1861 Centerpoint Rd., 35215, (205) 853-3952
BIRMINGHAM (HOMWOOD) - Frigid Appliance Center, 154 West Valley Ave., 35209, (205) 942-3959
DECATUR - Peddler II, 1000 B Beltline Road, 35603, (205) 350-1044
DOTHAN - Bill's Appliance Service, 208 Bic Road, P.O. Box 1192, 36303, (334) 792-7746
DOUGLAS - Brown Hardware, Highway 75, 35964, (205) 593-6086
HUNTSVILLE - C & G Appliance, 307 Jordan Lane, 35805, (205) 837-4551
MOBILE - Foster's Appliance Repair, 1660 South Beltline Highway, 36693, (334) 666-2670
NORTHPORT - Appliance Connection, 2703 McFarland Blvd, 35476, (205) 339-2774
TROY - Specialty Batteries, 1317 S. Brundidge St., P.O. Box 1045, 36081, (334) 670-6800, (800) 477-8230

ALASKA

ANCHORAGE - Ken's Electronics Service, 360 E. International, Ste. 8, 99518, (907) 562-3443
FAIRBANKS - Appliance Service Co. Inc., 700 23rd Ave., 99701, (907) 452-1000

ARIZONA

COTTONWOOD - Blackhills Auto Electric, 951 Blackhills Dr., Suite D, 86326, (520) 634-4159
GLENDALE - Elliott Electric Appliance Service, 6242 N. 43rd Avenue, 85301, (623) 937-2613
SCOTTSDALE - Elliott Electric, 7515 E. McDowell Road, 85257, (480) 946-7487

ARKANSAS

FT. SMITH - Bromley Appliance Service, 614 North 10th Street, 72901, (501) 782-9646
GLENWOOD - Gardening Plus, 110 North 2nd Street, 71943, (870) 356-2233
JONESBORO - Best Sewing & Vacuum & Repair, 2235 S. Caraway Road, 72401, (501) 935-4739, (800) 844-4739
LITTLE ROCK - C & W Tool Repair, 1303 W. Markham, 72201, (501) 374-1911
ROGERS - Kressel's Vacuum & Repair, 115 North 5th Street, 72756, (501) 636-7894
STUTTGART - Davis Lumber Company, 301 East Michigan, 72160, (501) 673-3601

CALIFORNIA

ANDERSON - Hardware Express/Do It Best, 2681 Balls Ferry Road, 96007, (916) 365-3783
BAKERSFIELD - Southwest TV, 6300 White Lane, Suite B, 93309, (805) 397-4940
CONCORD - California Electric Service Center, 1170-G Burnett Avenue, 94520, (510) 827-1011
COVINA - California Electric Service Center, 612 Shoppers Lane, 91723, (818) 915-4935
FORT JONES - Ft. Jones Frontier Hardware, 11911 Main Street, 96032, (916) 468-2266
FRESNO - Valley Small Appliance, 4005 E. Ashlan Avenue, 93726, (209) 224-5530
FULLERTON - California Electric Service Center, 1208 E. Ash Avenue, 92631-5020, (714) 870-0900
LAKE FOREST - California Electric Service, 22500 Murlands Suite B, 92630, (949) 856-9440
LOS ALAMITOS - California Electric Service Center, 11284 Los Alamitos Blvd., 90720, (562) 430-2668
OAKLAND - California Electric Service Center, 1139 E. 12th Street, 94606, (510) 834-1050
PASADENA - California Electric Service Center, 2594 E. Colorado Blvd., 91107, (818) 792-3194
SACRAMENTO - California Electric Service Center, 1821 "Q" Street, 95814, (916) 443-5711
SALINAS - SRS Hobbies, 1038A North Davis Road, 93907, (831) 424-4044, (800) 414-4547
SAN DIEGO - California Electric Service Center, 3430 El Cajon Blvd., 92104, (619) 283-6488

SAN JOSE - California Electric Service Center, 481 So. Bascom, 95126, (408) 295-1723
SANTA ROSA - Hardisty's Inc., 710 Farmers Lane, 95405, (707) 545-0535
SKY FOREST - Sky Forest Electrical, 28670 Highway 18 P.O. Box 496, 92385, (909) 337-0811
VAN NUYS - California Electric Service Center, 14753 Oxnard Blvd., 91411, (818) 997-8855
VENTURA - Appliance Advantage, 4547 Telephone Rd. Suite A, 93003, (805) 650-0716, (800) 960-2125
WEST LOS ANGELES - California Electric Service Center, 2314 S. Westwood Blvd., 90064, (310) 475-2532
YUCAIPA - Aire-Rite Heating & A/C, 34724 Yucaipa Blvd., 92399, (909) 797-2788

COLORADO

COLORADO SPRINGS - Nelson Appliance Repair, Inc., 1220 E. Fillmore, 80907, (719) 635-1928, (800) 291-8010
DENVER - Appliance Service, 4272 Lowell Blvd., 80211, (303) 458-1109, (800) 631-0941 (CO, WY only)
GRAND JUNCTION - V & L Appliance Service, 591 25 Road Suite A6, 81506, (970) 243-3360
PUEBLO - Direct Maytag Home Appliance, 1407 Santa Fe Drive, 81006, (719) 543-0777

CONNECTICUT

HARTFORD - Hartford Element & Appliance Service, 1500 Albany Ave., 06112, (860) 246-7424, (800) 787-7977
NEW HAVEN (HAMDEN) - New Haven Appliance Service Center, 1627 Dixwell Ave., 06514, (203) 288-6229
SHELTON - Jeff's Appliance & Vacuums, 66 Center Street, 06484, (203) 924-8997
STAMFORD - Appliance Servicenter of Stamford, 15 Cedar Heights Road, 06905, (203) 322-7656
WATERBURY - P.J. Appliance Repair, 935 South Main Street, 06706, (203) 757-1014

DELAWARE

WILMINGTON - Lyons Hardware, Inc., 2021 Kirkwood Highway, 19805, (302) 995-1260
SHELBYVILLE - Ahern & Sons Inc., #2 S. Dupont Hwy., RT #2, 19975, (302) 436-4100

FLORIDA

ATLANTIC BEACH - First Coast Repair, 25 Seminole Road, 32233, (904) 246-4616
BOYNTON BEACH - Mister FixIt Small Appliance, 1865 W. Woolbright Road, 33425, (561) 243-9999
CALLAHAN - Arc Electronic Repair, 951 Blackhills Dr., Suite D, 32011, (904) 879-3556
CAPE CORAL - Family Hardware/Do-It Express, 622 SE 47th Terrace, 33904, (941) 542-6365
DELRAY - Mister Fix It, 209 S.E. 2nd Avenue, 33483, (561) 243-9999
GAINESVILLE - Authorized Appliance Service Co., 2614 S.W. 34th Street, 32608, (352) 375-3886
HAIALEAH - S-O Service Co., 925 Hialeah Drive, 33010, (305) 887-6275
HOMESTEAD - C. M. S., Inc., 1996 N. E. Campbell Drive, 33033, (305) 247-9700
JACKSONVILLE - Authorized Appliance Service Co., 6120-5 Powers Avenue, 32217, (904) 737-5312
LAKECITY - S&S Mowers Inc., RT. 10, Box 35916, 32025, (904) 755-2957
LAKELAND - Electric Shaver & Small Appliance, 4243 S. Florida Avenue, 33813, (863) 644-4690
MIAMI - Goodman's Sales & Service, 13130 SW 128 Street # 3, 33186, (305) 278-8822
NORTH PALM BEACH - Appliance Doctors, 450 Northlake Blvd., 33408, (407) 845-0377
OCALA - Vacuums Center and Gifts, 422 South Pine Street, #103, 34474, (352) 732-6335
ORLANDO - Pine Hills Appliance Svc. Co., 6100-4 W. Colonial Drive, 32808, (407) 299-1271

ORLANDO - Southern Electric Co., 510 N. Parramore Avenue, 32801, (407) 841-8824, (800) 940-8824
PANAMA CITY - Callaway Vacuum & Sewing, 221 N. Tyndall Prkwy., 32404, (904) 763-6333
PENSACOLA - Foster's Appliance Repair, 3836 N. Davis Highway, 32503, (904) 432-8853
POMPANO BEACH - Authorized Appliance Service Co., 2171 N. Dixie Highway, 33060, (954) 941-2038
PORT ST. LUCIE - Appliance Doctors, 10632 South Federal Hwy, 34952, (561) 878-7869
SARASOTA - Sunray Small Appliances, 8371 N. Tamiami, 34243, (941) 358-9999, (800) 895-5655
SEBRING - Ace Hardware Of Sebring, 305 U.S. 27 North, 33870, (863) 385-2785
SPRING HILL - Ace Hardware #5304F, 5350 Spring Hill Dr., 34606, (352) 686-4743
SPRING HILL - National Floor Care, 5588 Commercial Way, 34606, (352) 686-6711, (800) 245-1946
ST. PETERSBURG - Keystone Electric, 4604 Central Avenue, 33711, (813) 321-1124
STUART - Appliance Doctors, 3166 S.E. Dixie Highway, 34997, (561) 287-6437
SUNRISE - Muller Appliance Service, 2116 North University Drive, 33322, (954) 749-5460
VERO BEACH - Hoppe's Authorized Vacuum and Appliance, 1872 Commerce Ave., 32960, (561) 562-4466
WEST PALM BEACH - Satisfaction TV Video, 1980 South Congress Ave., 33406, (561) 439-3733, (800) 477-3734
WILLISTON - Future Electronics, 10 SW 7th Street, 32696, (352) 528-5599, (800) 416-1114

GEORGIA

ATLANTA - Georgia Service Center, 5366 Buford Hwy., 30340, (770) 455-1716, (800) 455-1715
AUGUSTA - A & A Appliance Parts & Service, 1708 Walton Way, 30904, (706) 733-5163
BRUNSWICK - Arco Hardware & Supply, 3711 Community Road, 31520, (912) 267-0771
COLUMBUS - Burrell's National Appliance Service, 1728 Warm Springs Road, 31904, (706) 327-0523
NORCROSS - Appliance Connection, 5172-C Brook Hollow Parkway, 30071, (770) 734-9888, (800) 964-7455
GAINESVILLE - Bike Town USA, 1604 Dawsonville Highway, 30501, (770) 532-7090
LOGANVILLE - Loganville Lawn Mower, 157 C. S. Floyd Road, 30052, (770) 466-9111
SAVANNAH - Hagins Appliance Service, 3 West Victory Drive, 31405, (912) 233-8372
THOMASVILLE - Carroll Hill Auto, 115 Albany Road, 31799, (912) 266-0717
VALDOSTA - Harry B. Anderson, Inc., 204 E. Central Avenue, 31601, (912) 242-5945
WOODSTOCK - All City Appliance Inc., 8477 Highway 92 Suite 110, 30189, (770) 924-2375

HAWAII

HONOLULU - McCully Bicycle & Sporting Goods, 932 Hausten Street, 96826, (808) 946-1192
WAILUKU (MAUI) - Tom's Appliance Sales & Service, 1816 Mill Street, Suite 104, 96793, (808) 244-6278
WAIPAHU - Gary's Bike World, 94-910 Moloalo Street, 96797, (808) 375-4262

IDAHO

BOISE - Boise Appliance, 1503 Main Street, 83702, (208) 343-0102
IDAHO FALLS - Rossiter Electric, 1501 South Capital Avenue, 83402, (208) 529-3665

ILLINOIS

CHAMPAIGN - Appliance Parts & Service Center, 905 Francois, 61821, (217) 355-0220
CHICAGO (BERWYN) - Brand Service Center, 6739 West Cermak, 60402, (708) 749-4315

Authorized Service Centers

CHICAGO (DOWNER'S GROVE) - Authorized Appliance Service Co., 1644 W. Ogden Avenue, 60515, (630) 852-1550

CHICAGO (MORTON GROVE) - Brand Service Center, Inc., 5618 Dempster Street, 60053, (847) 965-5900

DECATUR - Rexx Battery of Decatur, Inc., 1330 East Eldorado, 62521, (217) 422-0281

FAIRVIEW HEIGHTS - Rapid Rentals, 720 Lincoln Highway, 62087, (618) 632-0630

GRANITE - Midwest Golf Car & Equipment Co., 904 Thorngate Road, 62040, (618) 797-2278

HAMILTON - Discount Battery Sales, #80 S 2nd Rte. 136, 62341, (217) 847-3242

JACKSONVILLE - Rexx Battery Specialists, 847 South Main Street, 62650, (217) 245-2713

LINCOLN - Rexx Battery Specialists, 504 Keokuk, 62656, (217) 732-2885

LOVES PARK - Hi-Tech Controls Inc., 2198 Nimtz Road, 61111, (815) 637-4015

MT. VERNON - Battery Specialists, 1018 South 10th Street, 62864, (618) 244-0091

NASHVILLE - Kesel Hardware, 173 West St. Louis, 62263, (618) 327-8957

NILES - Household Appliance Sales & Serv., 7411 N. Milwaukee Ave., 60714, (847) 647-8250

SPRINGFIELD - Bannon Electronics, 1224 N. Franklin, 62702, (217) 523-0313

TAYLORVILLE - Battery Specialists + Golf Cars, 800 Springfield Road, 62568, (217) 824-3943

INDIANA

EVANSVILLE - Electro Hygiene Co., 1614 S Kentucky, 47714, (812) 425-2671

FT. WAYNE - HWI Hardware & Paint, 6043 Stellhorn Road, 46815, (219) 485-8861

FT. WAYNE - Southside Vacuum Co. Inc., 3702 South Calhoun Street, 46807, (219) 745-7788, (888) 209-8113

INDIANAPOLIS - Brand Service Center, 1827 N. Meridian Street, 46202, (317) 924-1386

INDIANAPOLIS - Sullivan Hardware Do-It Center, 7021 N. Keystone, 46220, (317) 255-9230

NEW ALBANY - Wells Hardware, Inc., 1011 Vincennes Street, 47150, (812) 944-4523

SOUTH BEND - Ray's TV and Appliance, 60717 US 31 South, 46614, (219) 291-1630

SOUTH BEND (OSCEOLA) - AAA Appliance Service Co., 11868 Lincoln Way West, 46561, (219) 679-4981

TERRE HAUTE - Corey Electronics, 1101 S. 8th Street, 47802, (812) 232-8786, (888) 232-8786

IOWA

BETTENDORF - K & K True Value Hardware, 1818 Grant Street, 52722, (319) 359-4473

CEDAR RAPIDS - Stalker Electric, Inc., 110 3rd Ave. SW, 52404, (319) 364-5646

COUNCIL BLUFFS - Millard Television Inc., 1840 Madison Avenue, 51501, (712) 322-9552

DES MOINES - Quality Appliance Repair Center, 1417 Walnut Street, 50309, (515) 288-0108

DUBUQUE - Shaver's Plus, 450 Central Avenue, 52001, (319) 556-4442

FT DODGE - Messerly Electronics, 614 1st Avenue South, 50501, (515) 576-4480

GRINNELL - Bikes To You Inc., 921 Broad Street, 50112, (515) 236-8600

MARSHALLTOWN - Blink Electric Motors, Inc., Rear 116 N 1st Avenue, 50158, (515) 752-3036

NORTH LIBERTY - Ace Electric, Inc., 165 Hwy 965 NE, 52317, (319) 626-3007, (800) 326-3007

SIoux CITY - Millard Television Inc., 1419 Hamilton Blvd., 51103, (712) 258-3435

KANSAS

CHANUTE - Zimmerman Electric Service, 1202 West Beech, P.O. Box 533, 67720, (316) 431-2260, (800) 362-0909

COLBY - Gavon's Electronics, 1870 South Range, 67701, (913) 462-6601

JUNCTION CITY - R/C Hobbies, 115 W. 7th Street, 66441, (913) 238-1877

KANSAS CITY (OVERLAND PARK) - Mar-Beck Appliance Service Co., 8471 West 95th Street, 66212, (913) 642-1557

SPEARVILLE - Quality Parts, P.O. Box 126, 406 North Main, 67876, (316) 385-2624

WICHITA - Alan Appliance Service, Inc., 1300 E. Central, 67214, (316) 262-7228, (800) 290-7228

KENTUCKY

GREENVILLE - Malone Lumber Do-It Center, 204 W. Depot Street, 42345, (270) 338-3252

LEXINGTON - AutoHobby Model Raceway, 1474 Anniston Drive, 40505, (859) 299-4925

LOUISVILLE - Maury's Fluorescent & Appliance Service, 1521 Bardstown Road, 40205, (502) 456-1671

OWENSBORO - Kuester's Hardware, 1210 Carter Road, 42301, (270) 685-4916

PADUCAH - Hank Brothers True Value, 3101 Lone Oak Rd., 42003, (270) 554-4001

LOUISIANA

BAKER - Gayle Battery Distributors, 16555 Plank Road, 70714, (225) 774-7475

BATON ROUGE - Home Appliance Service, Inc., 10781 Florida Blvd., 70815, (504) 272-7727

HAMMOND - Battery Depot, 2323 Hwy 190 East Suite #4, 70401, (504) 542-4983

LAFAYETTE - Cullen's Playland, 4498 Johnston Street, 70503, (337) 981-2929

LAKE CHARLES - Capitol Schwinn Cyclery, 722 E. Prien Lake Road, 70605, (337) 474-9090

NEW IBERIA - Voorhies Supply Company, 401 W. St. Peter Street, 70560, (337) 364-2431

NEW ORLEANS (METAIRIE) - Le Jouet, Inc., 1700 Airline Hwy., 70001, (504) 837-0533

SHREVEPORT - Shreveport Shaver and Appliance, 9750 St. Vincent, Burt Kouns Ind. Loop, 71106, (318) 865-5088, (800) 349-7722

MAINE

GREENE - Brule's Auto Clinic & Sales, 968 Sawyer Road, 04236, (207) 375-4872

PERU - Mountain Valley Sports, 58 Ridge Road, 04290, (207) 562-7164

PORTLAND - Colonial Electronics, Inc., 259 St. John Street, 04102, (207) 774-6666

MARYLAND

ABERDEEN - Burkheimer Garden Equipment, 651 Gilbert Road, 21001, (410) 734-4577

BALTIMORE - Colgate Hardware, 6711 Holabird Ave., 21222, (410) 633-6363

BERLIN - Myers Auto-Power Tool Rental Co., Inc., 10714 Ocean Gateway, 21811, (410) 641-3497

GAITHERSBURG - Waters Appliance Service, 216 E. Diamond Avenue, 20877, (301) 258-7500, (800) 225-5009

GLEN BURNIE - Taylor Rental, 7389 Baltimore Annapolis Blvd., 21061, (410) 768-1933, (800) 836-8464

LOVEVILLE - Hancock Refrigeration Co Inc., 28650 Point Lookout Rd, 20656, (301) 475-8298

MASSACHUSETTS

BOSTON (MEDFIELD) - Wills Hardware, 5 Janes Avenue, 02052, (508) 359-4381

LOWELL - Lowell Appliance Service Center, Inc., 564 Dutton Street, 01854, (508) 454-8731

MAYNARD - Gramp's Garage, 16 Main Street, 01754, (508) 461-0463

NEEDHAM - Suburban Appliance Service Center, 34 Wexford Street, 02492, (781) 449-8787

QUINCY - Appliance Service and Parts, Inc., 582 Washington Street, Rt. 3A, 02169, (617) 773-6656

SALEM - Fix Master, Inc., 190 North Street, 01970, (508) 745-0004

SPRINGFIELD - Utility Electric Service, Inc., 810 Main Street, 01101, (413) 781-1635

MICHIGAN

ALMA - JTS Electronics, LLC, 306 East Center Street, 48801, (517) 463-5871

ALMONT - Almont Do It Center #5336, 4545 Vandyke, 48003, (810) 798-8922

BAY CITY - Bay Vac & Pedal, 805 Columbus Ave., 48708, (517) 892-7516

BRIGHTON - Complete Battery Source, 8023 W. Grand River, 48116, (810) 220-1050

DEARBORN - McNichols Electric Service, 1836 Grindley Park, 48124, (313) 563-7550

DETROIT - McNichols Electric Service, 13725 W. McNichols, 48235, (313) 342-6070, (800) 562-4226

DETROIT (ROYAL OAK) - McNichols Electric Service, 4115 West 13 Mile Road, 48072, (810) 288-5135

FLINT (DAVISON) - Gill-Roy's Hardware, 8405 E Davison, 48423, (810) 653-2288

FLINT (SWARTZ CREEK) - Gill-Roy's Hardware, 9061 Miller Road, 48473, (810) 635-2020

GAYLORD - Alpine Electronics, 604 West Main, 49735, (517) 732-5004, (800) 244-6633

GRAND RAPIDS - Superior Appliance Service Co., 1050 Scribner Avenue, NW, 49504, (616) 459-3271

JACKSON - Hammond Hardware, 1800 Francis St., P.O. Box 7, 49204, (517) 782-0704

LANSING - Rapid Appliance Service, Inc., 1454 E. Michigan Avenue, 48912, (517) 485-1320

MARLETTE - Thumb Appliance and Retail Center, 3441 Main Street, 49684, (517) 635-7848

MIDLAND - Gill-Roy's Complete Hardware, 3128 Jefferson Ave., 48640, (517) 832-2774

PRUDENVILLE - Ford's Do-It Center, 841 W. Houghton Lake Drive, 48651, (517) 366-7622

ROYAL OAK - McNichols Electric Service, 4115 Thirteen Mile Road, 48072, (248) 288-5135

TRAVERSE CITY - Gil-Roy's Hardware, 2701 Zimmerman Road, 49684, (231) 929-8160

MINNESOTA

BLAINE - Barness #1, 8701 Central Ave. NE, 55434, (763) 780-7229

BRAINERD - Git A'Round, 4299 Hwy. 371 North, 56401, (218) 828-8088

DULUTH - All Brand Mr. Fixit, 16 West First Street, 55802, (218)-722-1499

ST. PAUL - Barness, 1573 University Avenue, 55104, (612) 646-3109

MISSISSIPPI

HATTIESBURG - Champion Cycle & Fitness, 2625 Lincoln Road, 39402, (601) 310-0270

IUKA - W. H. Fairless Hardware Co., Inc., 117 Fulton Street, 38852, (662) 423-9256, (800) 797-9457

JACKSON (RIDGELAND) - Propeller Service, 291 Hwy. 51, Suite D6, 39157, (601) 856-3191

MERIDIAN - Broadmoor Home Center, 2420 Old North Hills Street, P.O. Box 3280, 39305, (601) 483-7373

SALTILLO - Polaris Outdoor World, 3463 Tom Watson Drive, 38866, (662) 680-4733

STARKVILLE - East Mississippi Lumber Co., 300 Russell Street, 39759, (662) 323-3554

MISSOURI

GLADSTONE - Mar-Beck Appliance Service Co., 6559 North Oak Traffic Way, 64118, (816) 436-9191

HANNIBAL - Williams Equipment & Electric Motor, 124 Corporate Square, 63401, (573) 248-3887, (877) 234-6873

INDEPENDENCE - Mar-Beck Appliance Service Co., 4476 South Noland Road, 64055, (816) 478-1889

KANSAS CITY - Mar-Beck Appliance Service Co., 303 W. 79th Street, 64114, (816) 523-6931

POPLAR BLUFF - Mills Iron & Supply, 1919 S. Westwood Blvd., 63901, (573) 785-2628

ST. LOUIS - Authorized Appliance, Inc., 2355 Hampton Avenue, 63139, (314) 647-4250

MONTANA

BILLINGS - Radio Equipment Company, 1120 16th Street West, 59104, (406) 256-9778, (800) 711-4024

NEBRASKA

GRAND ISLAND - Mundt's Small Appliance & Vacuum Repair, 1822 W. Northfront Street, 68803, (308) 382-5084

LINCOLN - CB Small Appliance, 432 South 11th Street, 68508, (402) 475-2546

LINCOLN - Sperry TV, 1115 North 47th St., 68503, (402) 464-9181

LINCOLN - Sperry TV, 3201 Pioneer Suite 33, 68502, (402) 327-8111

Authorized Service Centers

NORTH PLATTE - Sperry TV, 1855 West A Street, Westfield Shopping Center, 69010, (308) 532-5200
OMAHA - Myers Electric Co., 7342 Farnam, 68114, (402) 393-8388, (800) 234-1414

NEVADA

LAS VEGAS - Burney's Commercial Service, Inc., 4480 Aldebaran Avenue, 89103, (702) 736-0006

MINDEN - Valley Home & Sport Center, 1587 Highway 395, 89423, (775) 782-5111

NEW HAMPSHIRE

MARLBOROUGH - Electronics Aid Inc., 32 Roxbury Road P.O. Box 325, 03455, (603) 876-4161

NEW JERSEY

DENVILLE - Ranit's Denville Vacuum & Appliance, 12 Broadway, 07834, (973) 627-1156

HAWTHORNE - Ter Kuile, Inc., 206 Diamond Bridge Avenue, 07506, (201) 423-1142

HIGHLAND PARK - Dash Electronics, 10 North Second Ave, 08904, (732) 247-2495

HOWELL - South Jersey TV Service, Inc., 4232 Rt. 9 South, 07731, (908) 363-5550, (800) 244-3094

MAPLEWOOD - Kiss Electrical, 36 Newark Way, 07040, (973) 275-9400

SOUTHAMPTON - Southampton Auto Center, 1831 Rt. 206, 08088, (609) 859-3987, (609) 859-3341

SICKLERVILLE - Sicklerville Hardware, 540 Williamstown Road, 08081, (856) 728-3800

TOMS RIVER - South Jersey TV Service, Inc., Stella Towne Center, 1258 Rt. 166, 08753, (908) 505-1771

TRENTON - Tattersall, Inc., 309 N. Willow Street, 08618, (609) 393-4293

NEW MEXICO

ALBUQUERQUE - Appliance Service Center, 5505 Silver Avenue, SE, 87108, (505) 265-7774

CLOVIS - Burns Hardware, 1511 N. Prince, 88101, (505) 769-2528

NEW YORK

ALBANY - Lake Electronic Service, 1650 Central Avenue, 12205, (518) 869-8424, (800) 585-3777

BAYSHORE, L.I. - Turnpike Appliance of Suffolk, Inc., 1253 Sunrise Highway, 11706, (631) 665-8311

BINGHAMTON - Hardware Fare DO-IT Center, 1139 Front Street, Nimmonsburg Square, 13905, (607) 722-9202

BRONX - Home Appliance Vacuum Word, 5902 Riverdale Avenue, 10471, (718) 884-4600

BUFFALO (WILLIAMSVILLE) - Hector's Hardware, 876 Maple Road, 14221, (716) 688-4488

BUFFALO (HAMBURG) - K-Technologies, 5424 Abel Road, 14075, (716) 649-5460

COMMACK, L.I. - Turnpike Appliance Service, 6181 Jericho Turnpike, 11725, (631) 499-3355

EAST AURORA - Sem-Fab of Western New York, 455 Olean Road, 14052, (716) 655-5228

ELMIRA - Capabilities, Inc., 1149 Sullivan Street, 14901, (607) 734-2006

HOWARD BEACH - Crossbay Appliance Service, 158-34 Crossbay Blvd, 11414, (718) 843-4422

HUDSON - Sweeps Vacuum & Repair Center, Inc., 705 Warren Street, 12534, (518) 828-5457

MONTICELLO - Wayne's Small Engine, 79 St. John Street, 12701, (845) 796-1851

OCEANSIDE - Turnpike Appliance Service, 3495A Lawson Boulevard, 11572, (516) 486-5700

POUGHKEEPSIE - S & S Appliance Sales & Service, 390 Violet Avenue, 12601, (914) 452-6122

RICHMOND HILL - Lockdoctor Locksmiths, 104-37 Atlantic Ave., 11418 (718) 441-6242

ROCHESTER - Benfante Appliance Service, 1286 Mt. Hope Avenue, 14620, (716) 473-8765

STATEN ISLAND - Springstead Lumber 6232, 4255 Amboy Road, 10308, (718) 984-0300

SYRACUSE - County Wide Appliance, 1001 N. State Street, 13208, (315) 479-5253, (877) 479-5253

TUCKAHOE - Authorized Appliance of Westchester, 26 Columbus Ave., 10707, (914) 961-8011

WARWICK - Wadson Home Center, 60 Forester Ave., 10990, (845) 987-2215, (800) 982-2215 (NY only)

YORKVILLE - Yorkville Battery Inc., 126 Whitesboro Street, 13495, (315) 736-2307

NORTH CAROLINA

ANDREWS - Smoky Mountain Hobbies, 200 Stewart Road, 28901, (828) 321-9836

ASHEVILLE - Skyland Hardware, 3179 Sweeten Creek Road, 28803, (704) 684-0308

CHARLOTTE - Authorized Appliance Servicenter, 1020 Tuckaseegee Road, 28208, (704) 377-4501, (800) 532-6127

CLINTON - Danny's Service Center, 119 Vance Street, 28328, (910) 592-3200

ELIZABETH CITY - Coastal Office Equipment Co., 501 East Church Street, 27909, (919) 335-2927

JACKSONVILLE - Discount Sales and Service, 468-B Western Blvd., 28456, (910) 455-6700

RALEIGH - Authorized Appliance Service Center, 800 North Person Street, 27604, (919) 834-3476

WINSTON-SALEM - Authorized Appliance Service Center, 904 S. Marshall Street, 27117, (910) 725-5396

NORTH DAKOTA

BISMARCK - Guitarland, 210 E Main Street, 58501, (701) 255-0212

DICKINSON - Fix It Shop, 316 21st Street E, 58601, (800) 871-0766

FARGO - General Parts & Supply Co., 10 S. 18th St, 58103, (701) 235-4161, (800) 279-9987

OHIO

AKRON - Advanced Appliance Service Company, 73 W. Exchange Street, 44308, (330) 762-8968

BROOKLYN HEIGHTS - Phillips Consumer, 950 Keynote Circle, 44131, (216) 741-3334, (800) 331-7037

CANTON - Appliance Parts Co., 1267 Dueber Avenue, SW, 44706, (330) 453-8077

CINCINNATI - H&S Service, 458 Cincinnati Batavia Pike, 45244, (513) 528-0808

CLEVELAND (MENTOR) - Lake Erie Lawn & Garden, 7833 Munson Rd., 44060, (216) 257-9000

CLEVELAND (PARMA) - Majors Appliance, 5785 Ridge Road, 44129, (216) 884-7200

CLEVELAND (WESTLAKE) - Philips Consumer Electronics, 24090 Detroit Avenue, 44145, (216) 899-2040, (800) 331-7037

DAYTON - Layer Electric, 603 South Ludlow Street, 45402, (937) 224-9608

DAYTON (NEW CARLISLE) - Ballweg Do-It Center, 3300 South Dayton, Lakeview Rd., 45344, (937) 849-1306

GALION - Allied Electrical Repair, 1404 Harding Way East, 44833, (419) 468-4962, (800) 648-6771

LIMA - Crouse Lumber Do-It Center, 333 E. Market Street, 45801, (419) 229-9070, (800) 826-9663

MANSFIELD - Boliantz Hardware, 860 Ashland Road, 44905, (419) 589-5467

PORTSMOUTH - Market St Hardware & Toy Town, 217 Market Street, 45662, (740) 456-5704

STRYKER - Short's Hardware, 115 N. Depot Street, 43557, (419) 682-4231

TOLEDO - Broadway Sales and Appliance Repair, 1621 Broadway, 43609, (419) 241-9731, (800) 436-5415

WELLINGTON - Travelite Inc., 100 Industrial Avenue, P.O. Box 60, 44090, (440) 647-3670, (800) 326-0406

YOUNGSTOWN - O'Connor's, 3224 Market Street, 44507, (330) 782-4705

OKLAHOMA

ADA - Bert's Supply Co, Hwy 99, 74820, (580) 332-7295, (800) 259-7202

McCALESTER - Quality Upholstery, 803 East Gene Stipe Blvd., 74501, (918) 423-4747

OKLAHOMA CITY - Appliance Services by CK, 101 East Madison, 73105, (405) 525-8862

OKLAHOMA CITY - Oklahoma Service Center, 1940 North May Street, 73107, (405) 946-9841

TULSA - H.L. Moss, Inc., 1714 E. 15th Street, 74104, (918) 744-1305, (800) 248-5948

OREGON

EUGENE - Oldfield's, 1465 West 7th, 97402, (541) 485-6000, (800) 944-0238

PORTLAND - Appliance Repair Central, 2033 N. E. Columbia Blvd, 97211, (503) 285-1828, (800) 588-7339

PENNSYLVANIA

ALTOONA - Frye's Sweeper & Sewing Center, Inc., 1400 Valley View Boulevard, 16602, (814) 943-5001, (800) 640-1308

BUTLER - Battery Warehouse, 469 Cunningham Street, 16001, (724) 287-3191

CRANBERRY - Batteries Plus North, Cranberry Towne Plaza 20808 Route 19, 16066, (724) 742-1690

ERIE - Parke T. Morrow Inc., 627 West 26th Street, 16508, (814) 455-7566

GROVE CITY - Battery Warehouse, 620 East Main Street, 16127, (724) 458-1655

HARRISBURG - C.A. Juillard, Inc., 2301 North Seventh Street, 17110, (717) 233-3488, (800) 633-3488

JOHNSTOWN - Cambria True Value Hardware, West Hills Square, Goucher Street, 15905, (814) 255-4752

KINGSTON - Vac-Way Appliance & Service, 595 Market Street, 18704, (570) 288-4508

LANCASTER - Colonial Electronics Inc., 241 West Roseville Suite #2t, 17601, (717) 560-2222

McDONALD - Small Engine World, 130 East O'Hara Street, 15057 (724) 926-3330

MOSCOW - Vac-Way Appliance & Service, RR #6 Box 6237, 18444, (570) 842-4668

ORANGEVILLE - Hess Do-It Center & Market, Route 487, Box 4 M, 17859, (570) 683-5162

PHILADELPHIA - Appliance Care/Service Corp., 6407 Rising Sun Ave., 19111, (215) 725-3112

PHILADELPHIA (COLLINGDALE) - J.F. Kenney Electric, 920 MacDade Blvd, 19023, (610) 534-7373

PITTSBURGH - Batteries Plus, 3912 Library Road, 15234, (412) 531-1690

READING - Electric Repair Co., 502-504 N. 9th Street, 19604, (610) 376-5444, (800) 422-8171 (PA only)

SCRANTON - Vac-Way Appliance and Service, 601 Cedar Avenue, 18505, (570) 343-1121

SHAMOKIN DAM - Willard Battery Outlet, 138 S. Old Trail, 17876, (570) 743-5383

SHIPPENVILLE - Battery Warehouse, 11105 Rt 322 Riverhill, 16254, (814) 227-2123

TROY - Hoover Hardware, 9 Canton, 16947, (800) 251-2156, (570) 297-3445

WILKES-BARRE - Walter Hardware DO-IT Center, 57 N. Welles Street, 18702, (570) 823-1406

PUERTO RICO

MAYAGUEZ - Cardona Appliance Service, 8 San Vicente Street, 00680, (787) 832-8366

MAYAGUEZ - AAA Melendez Rental, Calle Post 319 Sur, 00680, (787) 832-5225

PONCE - Ferreteria Vivian, Centro Comercial, Los Caobos #7, 00731, (787) 840-0677

PUERTO RICO - Buckeye Service, 1013 Jesus T. Pinero Avenue, 00920, (787) 782-6175

SOUTH CAROLINA

AIKEN - Dunagan's Sewing & Vacuum, 1536 Whiskey Road, 29803, (803) 649-6777

BELTON - American Pro Office Equipment, 309 Forest Lane, 29627, (864) 338-9041

CHARLESTON HEIGHTS - Dorchester Electric Service, 3575 Dorchester Avenue, 29405, (803) 747-5221

COLUMBIA - Authorized Appliance Servicenter, 1811 Taylor Street, 29202, (803) 254-8414

DARLINGTON - Hobbies and More, 1570 South Main Street, 29532, (803) 393-0355, FAX (803) 393-8171

EASLEY - Trails End Bicycles, 110 Pendleton Street, 29640, (864) 306-1684

FORT MILL - Service Engines Inc., 3356 SC Highway 51, 29715, (803) 548-1778, (800) 845-1191

GREENWOOD - Bikes & Boards & Mopeds, 203A Montague Avenue, 29646, (864) 229-2453

HILTON HEAD ISLAND - Bikes Kites & More, 2 E Southwood Park Drive, 29926, (843) 342-7530, (888) 414-1096

SENECA - Seneca Micronics, 110 East North First, 29678, (864) 882-6593

Authorized Service Centers

SOUTH DAKOTA

RAPID CITY - Mick's Electric, Inc. 1304 Oregon Street, 57701, (605) 348-2335

WINNER - Nelson's Electronics Inc., 422 West 2nd Street P.O. Box 369, 57580, (605) 842-1611, (888) 842-1699

TENNESSEE

CHATTANOOGA - Consumer Service Company, 2607 E 47th Street, 37407, (423) 867-8629

DANDRIDGE - Save More Sales, 1291 W Hwy. 25-70, 37725, (865) 397-1255

KNOXVILLE - Appliance & Electric Service Company, 4816-M Kingston Pike, 37919, (865) 588-5395, (800) 585-5395

KNOXVILLE - Authorized Appliance Service Center, 1206 North Central Street, 37917, (865) 524-3376

MEMPHIS - Camp Electric Co., 647 Madison Avenue, 38103, (901) 527-7543, (800) 238-7345

NASHVILLE - Webb's Appliance Service Center, Inc., 1519 Church Street, 37203, (615) 329-4079, (800) 899-4079

PINEY FLATS - Appalachian Small Engines, 6192 Hwy 11E, 37686, (423) 391-0185

TEXAS

AMARILLO - Reid's Appliance Service, Inc., 906 Georgia, 79102, (806) 373-8812

AUSTIN - Harrell Supply and Service, Inc., 5435 Burnet Road, 78756, (512) 451-6464, (800) 332-7250 (TX only)

AUSTIN - Harrell Supply and Service, Inc., 1409 West Oltorf, 78704, (512) 442-5966

CORPUS CHRISTI - Brand Appliance & Microwave, 2751 South Staples, 78404, (361) 854-1851

DALLAS - All Type Sales and Service Co., Inc., 2835 Irving Blvd., 75207, (214) 638-1170, (800) 717-1170

DALLAS - Pearsol Appliance Co., 3127 Main Street, 75226, (214) 939-0930

FT. WORTH - Ft. Worth Shaver and Appliance Center, 1900 Montgomery Street, 76107, (817) 335-9970, (800) 816-2126

HOUSTON - Brand Service Center, 5727 Richmond Avenue, 77057, (713) 782-8910

KILLEEN - Master Tech Repairs, 501 West Elms Road Suite #10, 76542, (254) 618-5480

LONGVIEW - Foster's, 3315 Gilmer Road, 75604, (903) 759-3939

LUBBOCK - Minter's, 4409 50th Street, 79414, (806) 799-3170

LUFKIN - STS Audio and Video, 1505 South First Street, 75901, (936) 639-4529

MC ALLEN - All-In-One Repair Shop, 2313 Lark Avenue, 78504, (210) 682-8858

MIDLAND - Midland Tool Specialty, 918 South Main, 79701, (915) 682-4647, (800) 499-0755

PASADENA - Larry's TV Service, 3520 Fairmont Parkway, 77504, (713) 998-0122

ROMA - True Value Hardware, 1004 E. Highway 83, (210) 849-1322

SAN ANTONIO - Texas Shaver & Appliances, 8121 Callaghan Road, 78230, (210) 344-8577

TEMPLE - Master Tech Repairs, 2819 West Avenue North, 76504, (817) 773-8991

UTAH

OREM - The Mending Shed, 1735 South State Street, 84058, (801) 225-8012, (800) 339-9297

SALT LAKE CITY - Appliance Service Center, Inc., 210 East 6th South, 84111, (801) 328-9703

WILLARD - Peak Electric Co Inc, 780 N 200 W, 84340, (435) 723-7104

VIRGINIA

ALEXANDRIA - D & S Repair Service, 20 South Dove Street., 22314 (703) 683-0009

BLACKSTONE - Bevell's True Value Hardware, 109 North High Street, 23824, (804) 292-7208, (800) 883-1270

FREDERICKSBURG - Fredericksburg Electrical Repair, Inc., 10825-D Houser Drive, 22408, (540) 891-7911

HARRISONBURG (PENN LAIRD) - J.L. Maintenance & Repair, Inc., Rt 2, Box 308, 22846, (540) 289-9844

LOUISA - Lakeside Electric Const., 4344 Davis Highway Suite 2, 23093, (540) 967-3000

RICHMOND - Wells Inc., 3502 Jefferson Davis Highway, 23234, (804) 233-6726

ROANOKE - Commonwealth Shaver & Appliance Service, 5524 Williamson Road, NW, 24012, (540) 366-6038

SOUTH BOSTON - South Boston True Value, 307 Broad Street, 24592, (804) 572-6666

VIRGINIA BEACH - Commonwealth Electric Shaver, 549 Newton Road #108, 23462, (757) 490-0500

WINCHESTER - Battery Mart of Winchester, Inc., 1 Battery Dr., 22601, (703) 655-0065

WASHINGTON

ARLINGTON - Cordz Limited, 105 North Olympic Avenue, 98223, (360) 435-2471

FEDERAL WAY - Martha Lake Electronics, 2118 South 314th Street, 98003, (253) 946-9033

KENNEWICK - At Home Electronic Service, 313 East First Avenue, 99336, (509) 586-3800

LYNNWOOD - Martha Lake Electronics, 16521 13th Avenue West, 98037, (425) 743-4178

RENTON - Martha Lake Electronics, 212 South West 43rd, 98055, (425) 251-5417

SEATTLE - Action Small Appliance, 2125 2nd Avenue, 98121, (206) 448-2020

SEATTLE (BELLEVUE) - Action Small Appliance Service, 1500 145th Place, SE, 98007, (206) 643-9806

SPOKANE - Aalwaco Appliance, N 3007 Argonne Road, 99212, (509) 487-1089

TACOMA - Martha Lake Electronics, 2913 South 38th Street, 98409, (253) 475-0668

WENATCHEE - Motor Mart, 150 Marr, 98801, (509) 633-4237

WEST VIRGINIA

BECKLEY - Jerry's Detectors, Vacuum & Appl. Svc., 411 Second Street. 25801, (304) 253-3521

CHARLESTON - Sneed's Vacuum & Sewing Center, 2614 7th Avenue, 25312, (304) 744-3670, (800) 245-8048 (WV only)

HARRISVILLE - Western Auto, 1107 E. Main St., 26362, (304) 643-2226

HUNTINGTON - Mike's Appliance and Service, 212 20th Street, 25703, (304) 522-0737

MARTINSBURG - Battery Mart, 1161-3 Winchester Avenue, 25401, (304) 267-7033, (800) 464-7918

PARKERSBURG - Battery Mart, 656 Seventh Street, 26101, (304) 424-7250

VIENNA - T & S Lawn - Landscape & Power Equipment, 1100 10th Street, 26105, (304) 295-7633 (800) 559-7633

WHEELING - Fast Service Center, 1058 Main Street, 26003, (304) 232-5561 (800) 874-4090

WISCONSIN

ELK MOUND - Epp Electronics, E9485-A County Road EE, 54739, (715) 879-4634

GREENBAY - Kastle Carts, Inc., 2301 N. Irwin Ave., 54313, (414) 465-6121

LACROSSE - Paul's Shaver Service, 1224 Caledonia Street, 54603, (608) 782-6291

MILWAUKEE - Brand Appliance Repair, Inc., 6601 W Oklahoma Avenue, 53219, (414) 541-4340

MONONA - Kiefers Shaver & Appliance, 4511 Monona Drive, 53716, (608) 221-3322

IMPORTANT!

DO NOT use this vehicle for the first time until you have charged the batteries for 18 hours.

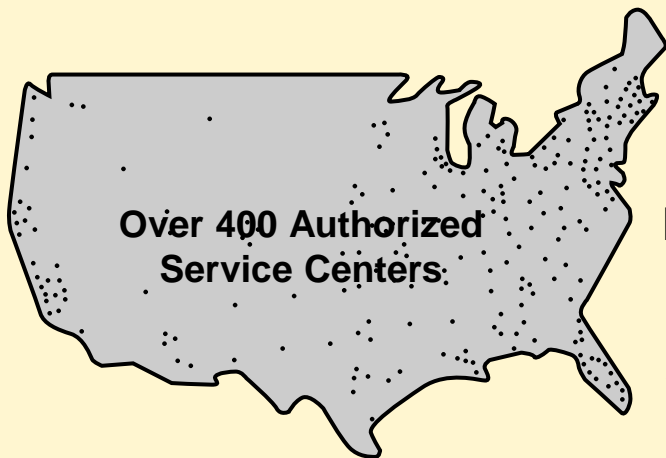
Remember to...

- ✓ Charge the batteries immediately after each use.
- ✓ Charge the batteries once a month during storage, even if the vehicle has not been used.

Failure to follow these instructions will permanently damage your battery and void your warranty. Please refer to the Battery Care Section in this manual for more information.

For high speed operation, please refer to the "How to Operate Your Vehicle" section in this manual for more information.

DO NOT Return your Vehicle to the Store !



If you are missing parts or need assistance, please call us toll-free:

Power Wheels® Consumer Relations

1-800-348-0751

8 AM - 6 PM EST, Monday through Friday.

Or contact your local Power Wheels® Authorized Service Center.



For the location nearest you, refer to the Authorized Service Center list in this manual.

Fisher-Price and Power Wheels by Fisher-Price are U.S. trademarks of Mattel, Inc. Fisher-Price, Inc., a subsidiary of Mattel, Inc., East Aurora, New York 14052 U.S.A. ©2001 Mattel, Inc. All Rights Reserved.