



Product features and decoration may vary from the picture above.

JEEP and the Jeep grille design are registered trademarks of DaimlerChrysler Corporation and are used under license.

©DaimlerChrysler Corporation.

BARBIE is a U.S. trademark of Mattel, Inc.

Barbie™ *Craisin' Tunes* Jeep® 4x4

Owner's Manual with Assembly Instructions

Please read this manual and save it with your original sales receipt.

For Model 74340

Tools needed for assembly: Phillips Screwdriver, Hammer, and Safety Scissors (tools not included).
Use only with a Power Wheels® 12 Volt Lead-Acid Rechargeable Battery and Power Wheels® 12 Volt Charger
with Type "12V" Connector (included).

"Radio" requires three, size "AA" (LR6) alkaline batteries (not included) for operation.

www.fisher-price.com

Table of Contents

| | | |
|---|------------------------------|-----|
| A | Important Information | .2 |
| B | Warnings and Cautions | .3 |
| C | Parts | .4 |
| D | Parts Diagram | .6 |
| E | Battery Charging | .8 |
| F | Assembly | .10 |
| G | Label Decoration | .18 |
| H | Battery Installation | .20 |
| I | Battery Care and Disposal | .21 |
| J | Rules for Safe Driving | .22 |
| K | How to Operate Your Vehicle | .23 |
| L | Caring for Your Vehicle | .24 |
| M | Problems and Solutions Guide | .25 |
| N | Limited Warranty | .28 |
| O | Authorized Service Centers | .28 |

A

Important Information

- Your new vehicle requires adult assembly. Please set aside at least 60 minutes for assembly.
- You must charge your battery for 18 - 30 hours **before you use your vehicle for the first time.** We recommend that you start charging your battery before beginning assembly. Please see Battery Charging beginning on page 8 for detailed instructions.
- Read this manual carefully for important safety information and operating instructions before using your vehicle. Keep these instructions for future reference as they contain important information.
- This vehicle is designed for use on grass, asphalt or other hard surfaces, on hills or flat terrain, by children 3 years of age and older.
- This vehicle has adjustable play seat belts. Please note that the adjustable seat belts are designed to be a play feature only and do not function as protective safety restraints.
- To prevent damaging the motors and gears, do not tow anything behind the vehicle or overload it. Do not exceed the maximum weight capacity of 130 lb. (60 kg).
- For safety reasons, your vehicle has been pre-set so that it will only operate at low speed. **You must remove the high speed lock-out screw to allow operation of the vehicle at high speed.** Please see page 24 for detailed instructions.
- If you have any questions about your Power Wheels® vehicle, please call our toll-free service lines at **1-800-348-0751** from 8 AM to 5 PM (EST) Monday through Friday. Trained customer service representatives are available to take your call in English or French. Habla Español? Si usted tiene alguna pregunta ó necesita asistencia llame gratis **1-800-348-0755** para los Estados Unidos. Tenemos representantes que hablan español para atender su llamada.
- For your convenience, Power Wheels® maintains an Authorized Service Center Network with more than 400 authorized service centers nationwide. Our authorized service centers will repair or replace parts under warranty at no extra charge, and can perform non-warranty repairs for a minimal charge. Please see the Authorized Service Center list beginning on page 28 to find the authorized service center nearest you, or call **1-800-348-0751**.
- Please complete and return the enclosed Registration Card today, or call **1-800-348-0751** to register your vehicle by phone.

 **WARNING**

- Children can be harmed by small parts, sharp edges and sharp points in the vehicle's unassembled state, or by electrical items. Care should be taken in unpacking and assembly of the vehicle. Children should not handle parts, including the battery, or help in assembly of the vehicle.
- Keep small parts and plastic bags out of children's reach. Dispose of plastic bags properly.
- Adult supervision is required. Children do not have the judgement necessary to avoid many accidents. Be sure that children operating this vehicle can do so safely and that they are supervised at all times.
- Never use near steps, driveways, steep inclines, roadways, alleys, swimming pool areas or other bodies of water.
- Always wear shoes or sneakers when operating this vehicle.
- Never allow more than two riders; one driver and one passenger.
- The riders should sit on the seat when the vehicle is in operation.
- **Hot** motors. Handle carefully.
- Never alter this vehicle or its electrical system in any way. Alterations could cause a fire resulting in injury and could also ruin the electrical system.
- Use of the wrong type battery or charger could cause a fire or explosion, resulting in serious injury.
- Use of Power Wheels® components in products other than Power Wheels® vehicles could cause overheating, fire or explosion.
- The battery must be handled by adults only. The battery is heavy and contains sulfuric acid (electrolyte). Dropping the battery could result in serious injury.
- Read the cautions on the back panel of the battery.
- Never allow children to charge the battery. Battery charging must be done by adults only. A child could be injured by the electricity involved in charging the battery.
- Examine the battery, charger and its connector for excessive wear or damage each time you charge the battery. If damage or excessive wear is detected, do not use the vehicle until you have replaced the worn or damaged part as it could possibly cause a fire resulting in injury.

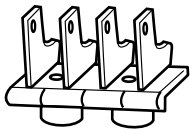
 **CAUTION**

- This package contains small parts. Adult assembly is required.
- Use the charger in dry locations only.

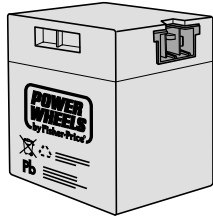
C

Parts

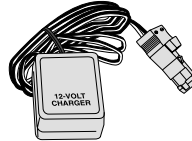
- If you experience a problem with this product, or are missing a part, please call us at **1-800-348-0751**, rather than return this product to the store.
- Please identify all parts before assembly and save all packaging material until assembly is complete to ensure that no parts are discarded.
- Metal parts have been coated with a lubricant to protect them during shipment. Wipe all metal parts with a paper towel to remove any excess lubricant.



Windshield Bracket - 2



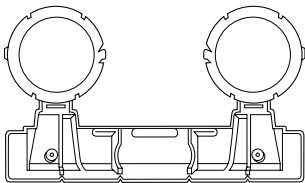
12 Volt Battery



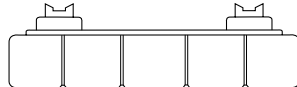
12 Volt Charger



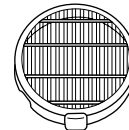
Phone



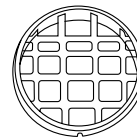
Light Rack, Rear



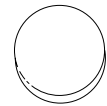
Light Rack, Front



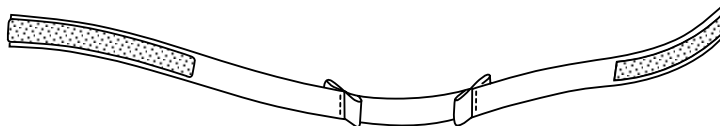
Headlight Lens - 2



Lens Guard - 2



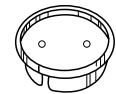
Light Cover - 2



Long Seat Belt Strap



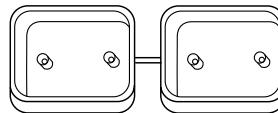
Windshield Hinge Pin - 2



Steering Wheel Cap



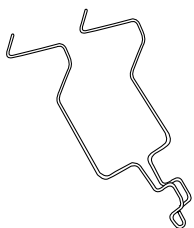
Short Seat Belt Strap - 2



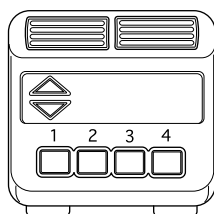
Taillight Housing Set



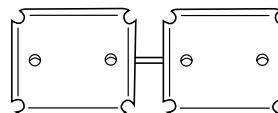
Gas Cap



Battery Retainer

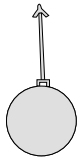


Radio



Taillight Lens Set

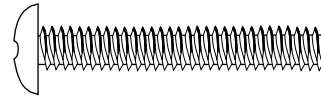
Parts



Key Chain



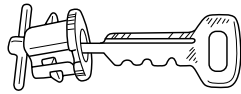
.354 Cap Nut - 3*



1 1/2" x 1/4" Machine Screw - 2



#6 x 1 1/2" Screw - 4



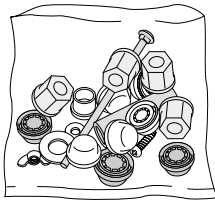
Key Assembly



#8 x 1" Screw - 13



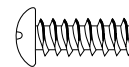
#10 x 1" Screw - 2



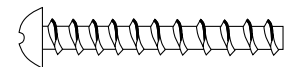
Small Parts Bag



Hood Latch - 2



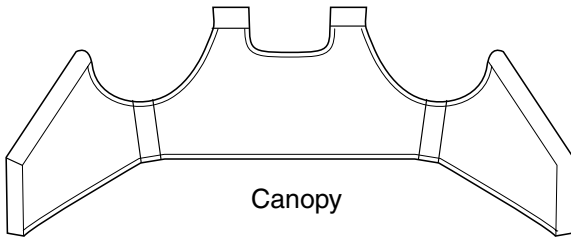
#10 x 1/2" Screw - 2



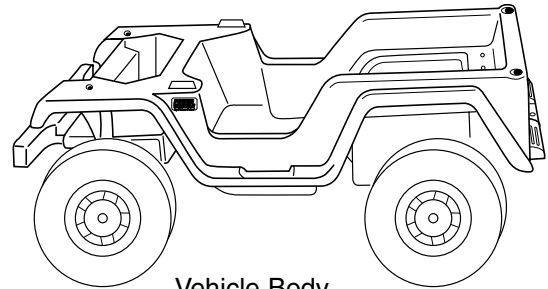
#8 x 1 1/4" Screw - 10

**All Screws Shown
Actual Size**

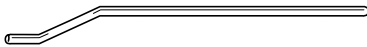
*For your convenience, an extra .354 cap nut has been included.



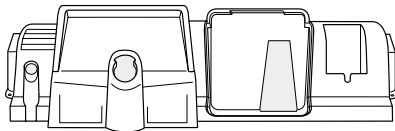
Canopy



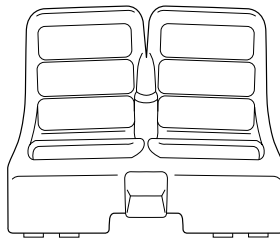
Vehicle Body



Steering Column



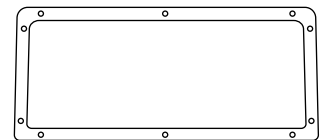
Dash



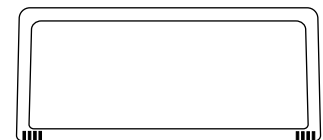
Seat



Sport Bar
Support - 2



Windshield (Back Half)



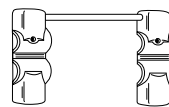
Windshield (Front Half)



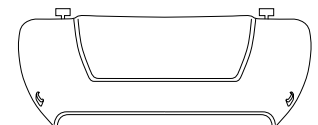
Steering Wheel



Sport Bar



Sport Bar
Bracket Set

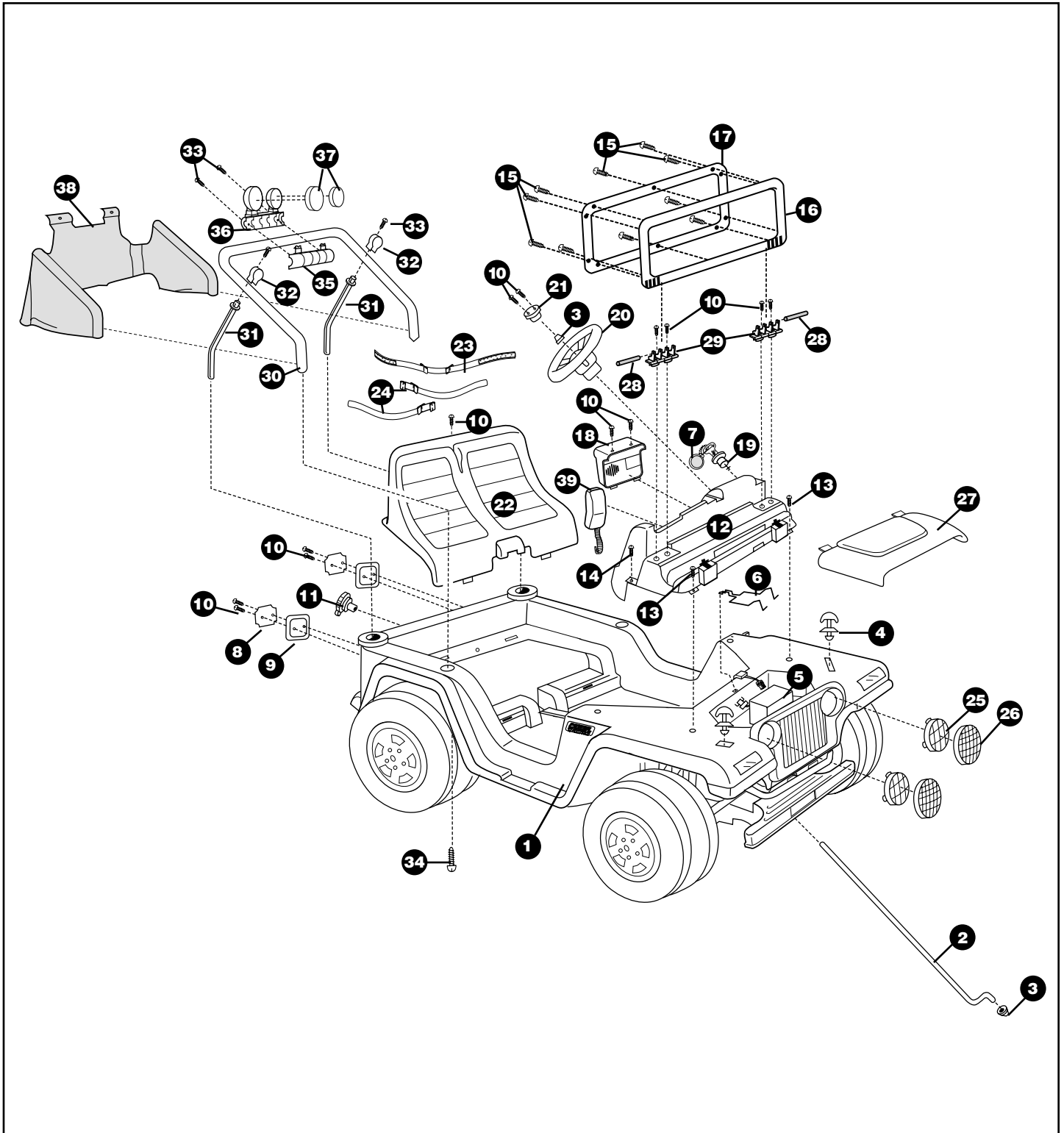


Hood

Not Shown: Label Sheet (2), Literature Bag

D

Parts Diagram



Parts Diagram

| No. | Part | Quantity | No. | Part | Quantity |
|-----|-------------------------|----------|-----|-----------------------------|----------|
| 1 | Vehicle Body | 1 | 20 | Steering Wheel | 1 |
| 2 | Steering Column | 1 | 21 | Steering Wheel Cap | 1 |
| 3 | .354 Cap Nut | 2 | 22 | Seat | 1 |
| 4 | Hood Latch | 2 | 23 | Long Seat Belt Strap | 1 |
| 5 | 12 Volt Battery | 1 | 24 | Short Seat Belt Strap | 2 |
| 6 | Battery Retainer | 1 | 25 | Headlight Lens | 2 |
| 7 | Key Chain | 1 | 26 | Lens Guard | 2 |
| 8 | Taillight Lens | 2 | 27 | Hood | 1 |
| 9 | Taillight Housing | 2 | 28 | Windshield Hinge Pin | 2 |
| 10 | #8 x 1" Screw | 13 | 29 | Windshield Bracket | 2 |
| 11 | Gas Cap | 1 | 30 | Sport Bar | 1 |
| 12 | Dash | 1 | 31 | Sport Bar Support | 2 |
| 13 | #10 x 1" Screw | 2 | 32 | Sport Bar Bracket | 2 |
| 14 | #10 x 1/2" Screw | 2 | 33 | #6 x 1 1/2" Screw | 4 |
| 15 | #8 x 1 1/4" Screw | 10 | 34 | 1 1/2" x 1/4" Machine Screw | 2 |
| 16 | Windshield (Front Half) | 1 | 35 | Light Rack, Front | 1 |
| 17 | Windshield (Back Half) | 1 | 36 | Light Rack, Rear | 1 |
| 18 | Radio | 1 | 37 | Light Cover | 2 |
| 19 | Key Assembly | 1 | 38 | Canopy | 1 |
| | | | 39 | Phone | 1 |

**WARNING**

- The battery must be handled by adults only. The battery is heavy and contains sulfuric acid (electrolyte). Dropping the battery could result in serious injury.
- Never allow children to charge the battery. Battery charging must be done by adults only. A child could be injured by the electricity involved in charging the battery.
- Use of the wrong type battery or charger could cause a fire or explosion, resulting in serious injury.
- Use of Power Wheels® components in products other than Power Wheels® vehicles could cause overheating, fire or explosion.
- Read the cautions on the back panel of the battery.
- Examine the battery, charger and their connectors for excessive wear or damage each time you charge the battery. If damage or excessive wear is detected, do not use the charger or the vehicle until you have replaced the worn or damaged part.
- Never alter this vehicle or its electrical system in any way. Alterations could cause a fire resulting in injury and could also ruin the electrical system.

About Thermal Fuses

Your Power Wheels® 12 volt battery is equipped with a built-in thermal fuse. The thermal fuse is a self-resetting safety device which automatically “trips” and shuts down operation of the vehicle if the vehicle is overloaded or the driving conditions too severe. Once a fuse has “tripped”, it will automatically reset itself after approximately 25 seconds and allow the vehicle to resume normal operations. To avoid repeated automatic shutdowns, do not overload the vehicle by exceeding the 130 lb (60 kg) maximum weight capacity or by towing anything behind the vehicle. Avoid severe driving conditions, such as driving up very steep slopes or running into fixed objects, which can cause the wheels to stop spinning while power is still being supplied to the motors. Make sure your child stops the vehicle before switching speeds or direction.

If a thermal fuse in a battery continually trips under normal driving conditions, please contact your local Power Wheels® Authorized Service Center. For the location of the Authorized Service Center nearest to you, see page 28.

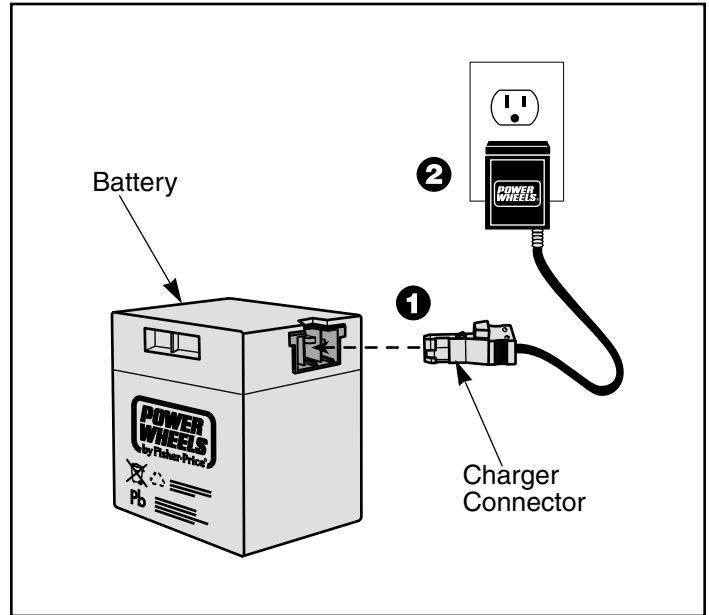
**CAUTION**

Use the charger in dry locations only.

Battery Charging

Important Notes

- Your new battery must be charged for at least 18 hours before you use it in your vehicle for the first time.
- You do not need to remove the battery from your vehicle to recharge it.
- The battery must be upright while charging.
- The charger is not a toy.
- Do not short circuit the battery.
- We recommend that you start charging your battery before beginning assembly of your new vehicle.
- Before charging the battery, examine the battery case for cracks and other damage which may cause sulfuric acid (electrolyte) to leak during the charging process. If damage is detected, do not charge the battery or use it in your vehicle. Battery acid is very corrosive and can cause severe damage to surfaces it contacts.
- Do not charge the battery on a surface which could be damaged by the acid contained inside the battery. Take precautions to protect the surface on which you charge your battery.
- Use only a Power Wheels® 12 volt charger with type "12V" connector (120 VAC 60 Hz 28W with an output of 12 VDC 1200mA) to charge your Power Wheels® rechargeable 12 volt battery.



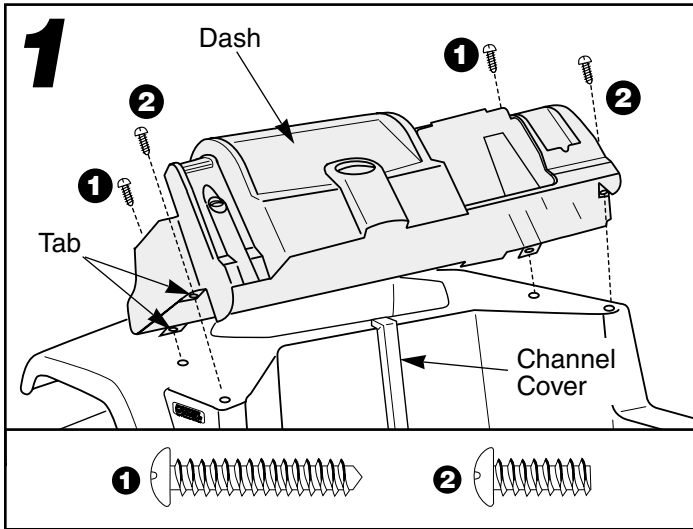
- Plug the charger connector into the battery **1**.
- Plug the charger into a standard 120 volt wall outlet **2**.

- Note:** If power flow to the wall outlet is controlled by a switch, make sure the switch is "ON".
- Before first-time use, charge the battery for **at least 18 hours**. Never charge the battery longer than 30 hours.
 - Recharge the battery for at least 14 hours after each use of your vehicle. Do not charge the battery longer than 30 hours.
 - Once the battery is charged, pull firmly on the charger connector to disconnect it from the battery. Unplug the charger from the wall outlet. The battery is now ready to be installed in your vehicle. Please see the Battery Installation section on page 20 for detailed instructions on installing your battery. If your battery is already installed in your vehicle, simply re-connect the motor harness connector to the battery and lower and fasten the hood.

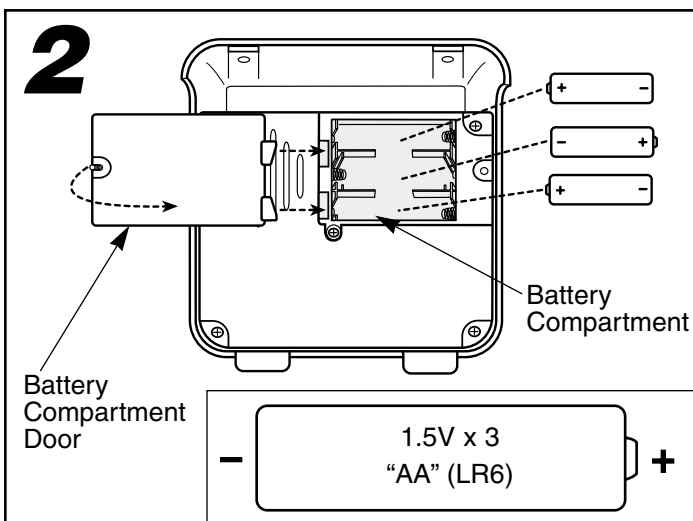
F

Assembly

Do not omit any steps. Please set aside at least 60 minutes for assembly.



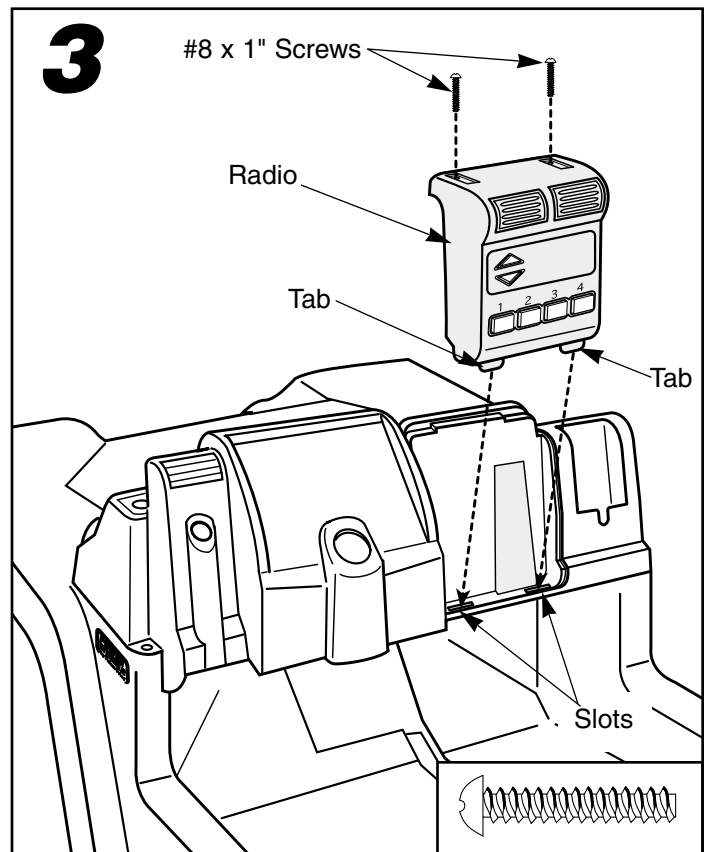
- Position the dash on the vehicle body. Make sure the holes in the dash tabs align with the holes in the vehicle body and that the channel cover is captured by the dash.
- Insert two #10 x 1" screws through the holes towards the rear of the dash (closest to the hood area) and into the vehicle body ①.
- Insert two #10 x 1/2" screws through the holes towards the front of the dash (closest to the passenger compartment) and into the vehicle body ②.
- Tighten each screw with a Phillips screwdriver. Do not over-tighten.



- Locate the battery compartment door on the back of the radio.
- Loosen the screw in the battery compartment door using a Phillips screwdriver and lift to open.
- Insert three "AA" (LR6) alkaline batteries as indicated in the battery compartment.
- To replace the battery compartment door, fit the tabs on the door into the slots on the radio. Lower to close. Tighten the screws with a Phillips screwdriver. Do not over-tighten.

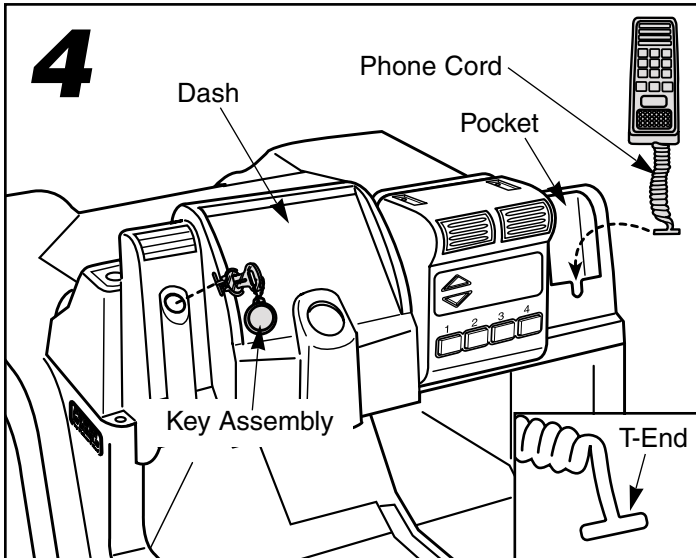
Please Note:

- Do not mix old and new batteries.
- Do not mix different types of batteries: alkaline, standard (carbon-zinc) or rechargeable (nickel-cadmium).
- Remove batteries during long periods of non-use. Always remove exhausted batteries from this product. Battery leakage and corrosion can damage this product. Dispose of exhausted batteries safely.
- Never short circuit the battery terminals.
- Non-rechargeable batteries are not to be recharged.
- Only batteries of the same or equivalent type, as recommended above, are to be used.
- If removable rechargeable batteries are used, they are only to be charged under adult supervision.
- Rechargeable batteries are to be removed from this product before they are charged.
- Battery chargers used with toys must be examined regularly for damage to the cord, plug, enclosure and other parts. In the event that such damage is found, the toy must not be used with the battery charger until the damage has been repaired.

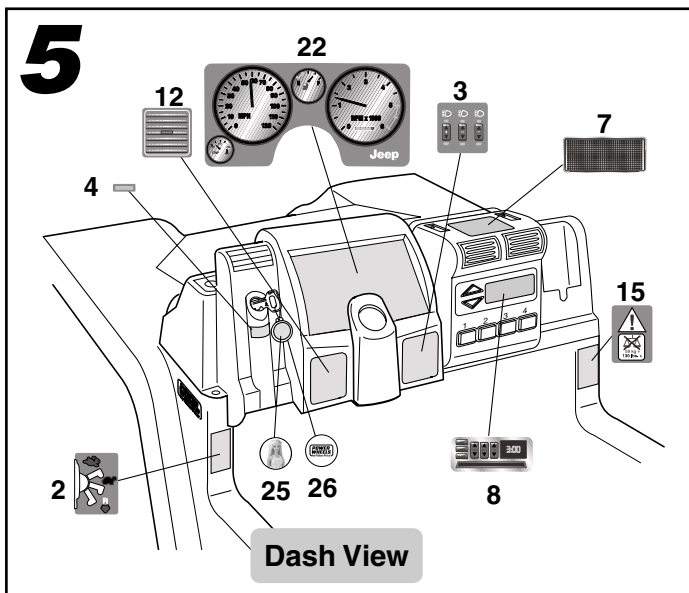


- Fit the tabs on the radio into the slots in the dash.
- Insert two #8 x 1" screws through the holes in the top of the radio and into the dash.
- Tighten the screws using a Phillips screwdriver. Do not over-tighten.

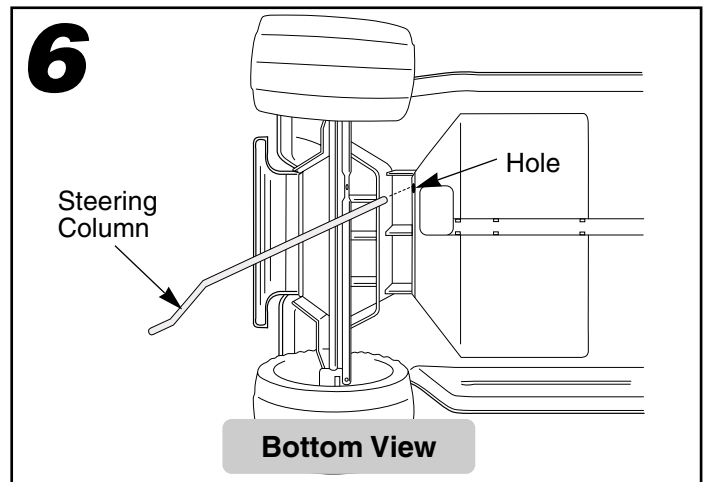
Assembly



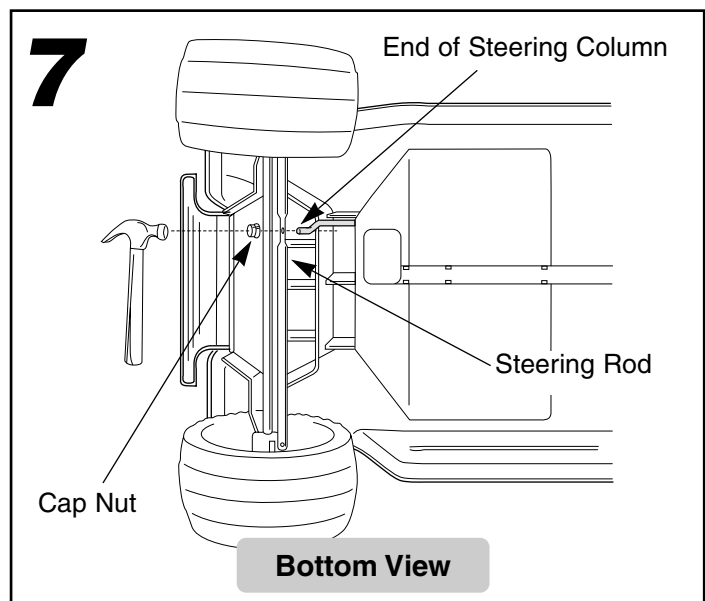
- Bend the end of the phone cord so that it forms a “T”.
- Insert the end of the phone cord through the square opening in the dash pocket. Pull gently on the cord to make sure it is secure in the dash.
- Place the phone in the dash pocket.
- Snap the key assembly into the dash.



- Proper label application will help to keep the labels looking their best! When applying labels, keep the following guidelines in mind:
- Wash your hands before applying the labels.
 - Before applying the labels, wipe the surface of the vehicle with a clean, dry cloth to remove any dust or oils.
 - Place the labels exactly as shown in the illustrations.
 - For best results, avoid repositioning a label once it has been applied to the vehicle.
 - **After applying a label, rub the label firmly with a clean, dry cloth to make sure the label is adhered to your vehicle. Start at the center of a label, and smooth towards the outer edges to remove air bubbles.**



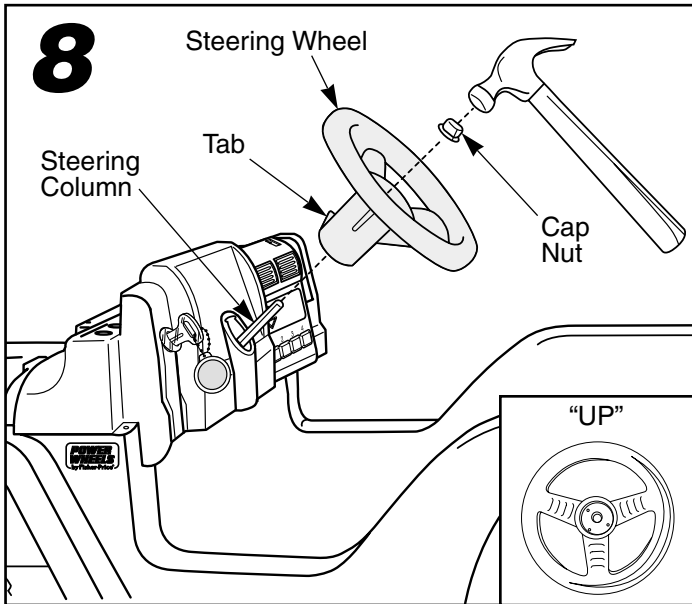
- Wipe the steering column with a paper towel to remove any excess lubricant.
- Turn the vehicle body on its side.
- Insert the straight end of the steering column up through the hole in the vehicle body wall and out through the hole in the dash.



- Insert the end of the steering column through the hole in the steering rod.
- Fit a cap nut onto the end of the steering column.
- While supporting the steering column, tap the cap nut with a hammer to secure it on the steering column.

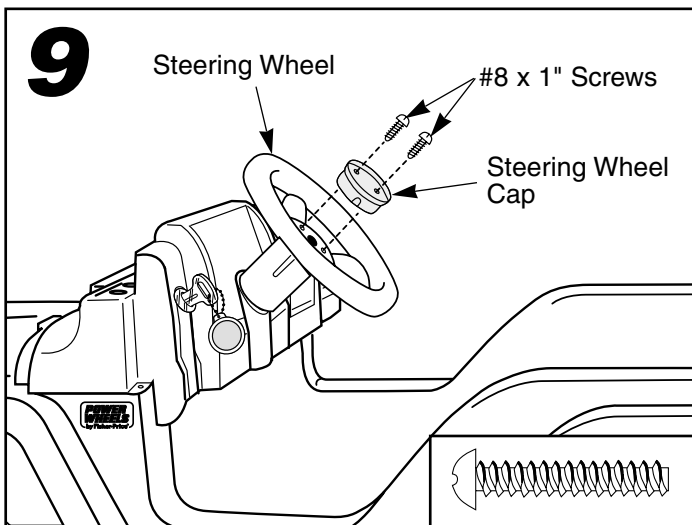
Helpful Hint! You may want the help of another person to support the steering column while you tap the cap nut with the hammer.

Assembly

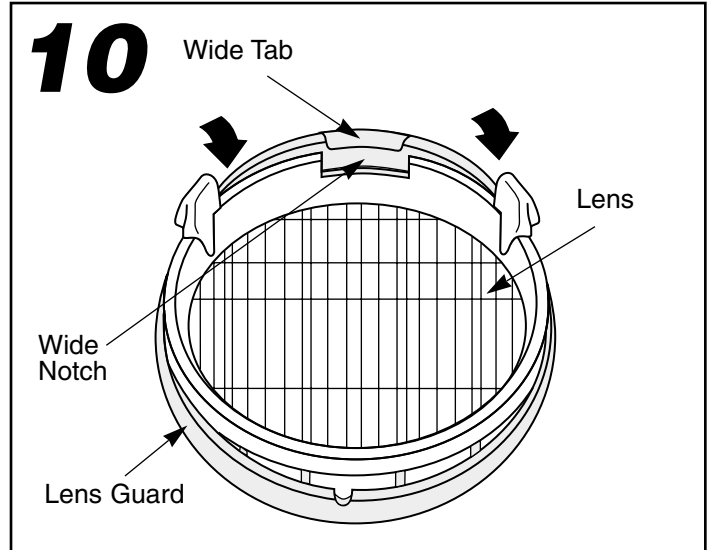


- Turn the vehicle body upright.
- Position the steering wheel so that the spokes form a “Y” as shown. The tab on the steering wheel stem should face up.
- Fit the steering wheel onto the steering column.
- Fit a cap nut onto the end of the steering column.
- Tap the cap nut with a hammer to secure it on the steering column.

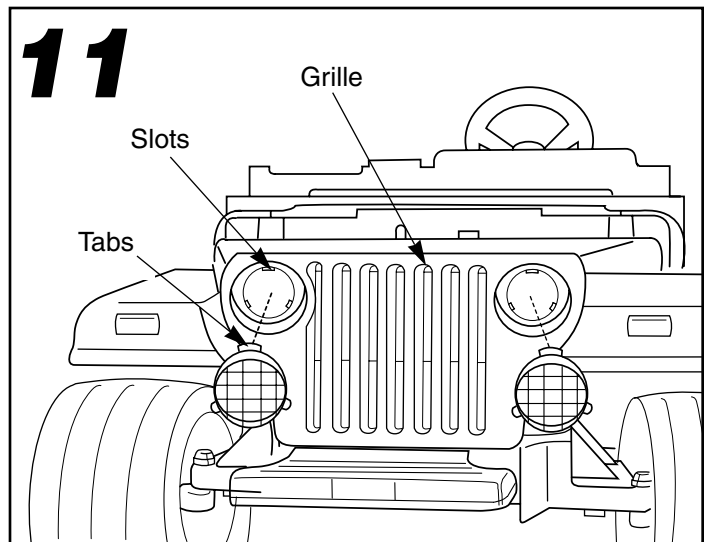
Helpful Hint! You may want the help of another person to support the steering column while you tap the cap nut with the hammer.



- Fit the steering wheel cap into the center of the steering wheel with the screw holes aligned.
- Insert two #8 x 1" screws as shown.
- Tighten the screws with a Phillips screwdriver. Do not over-tighten.

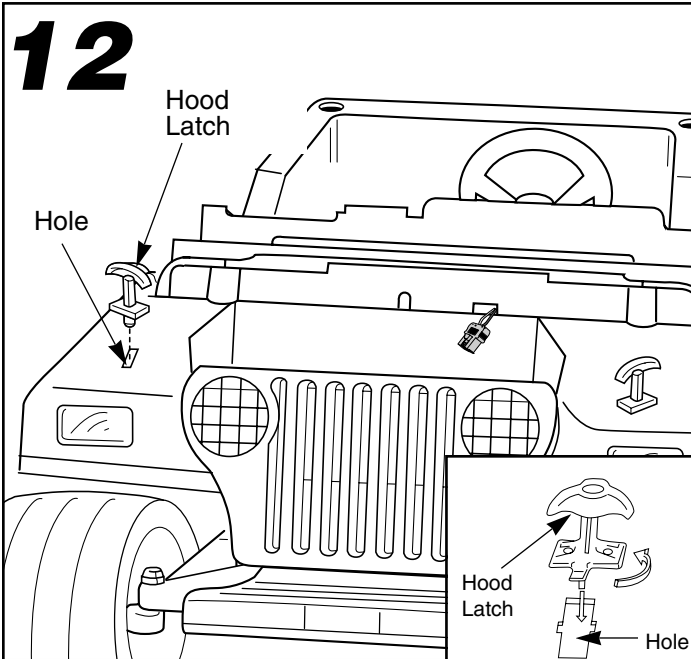


- Fit the wide notch in the side of a headlight lens under the wide tab on a lens guard.
- Press firmly on the inside of the headlight lens to snap it into the lens guard.
- Repeat this procedure to assemble the other headlight lens to the remaining lens guard.

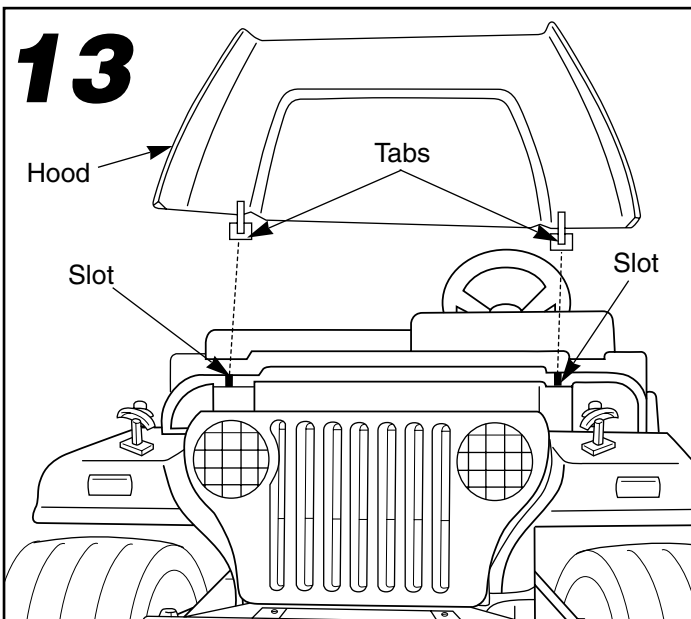


- Fit the lens tabs on the back of a lens assembly into the headlight slots in the grille.
- Press firmly to snap the lens assembly into the grille.
- Repeat this procedure to snap the other lens assembly into the grille.

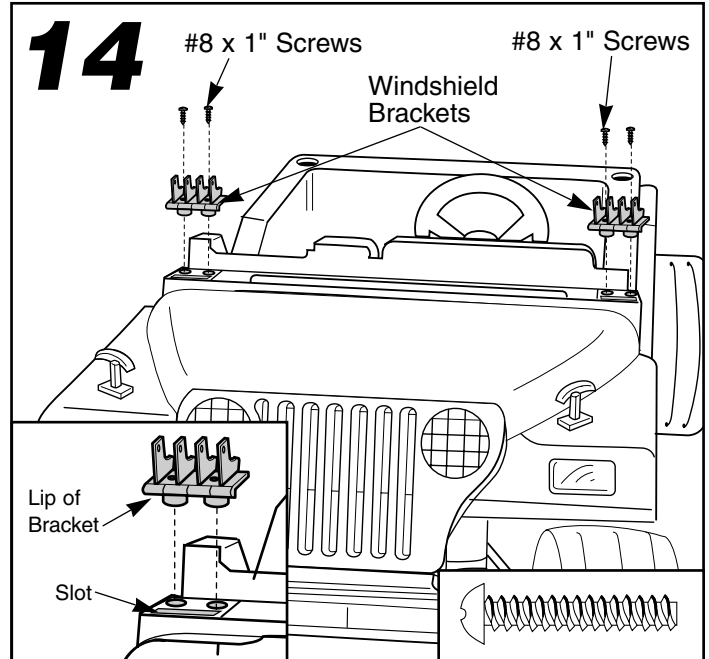
Assembly



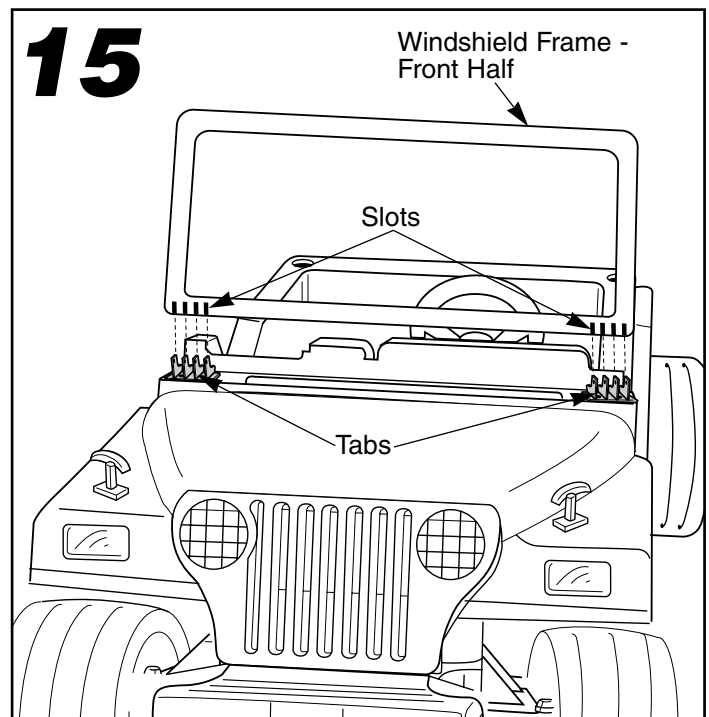
- Insert a hood latch into one of the holes in the vehicle body, near the hood area.
- Twist the base of the hood latch $\frac{1}{4}$ turn to secure it in the vehicle body.
- Repeat this procedure on the other side of the hood area to attach the other hood latch to the vehicle body.



- Position the hood over the front of the vehicle body as shown.
- Insert the tabs on the hood into the slots in the vehicle body.
- Close the hood.

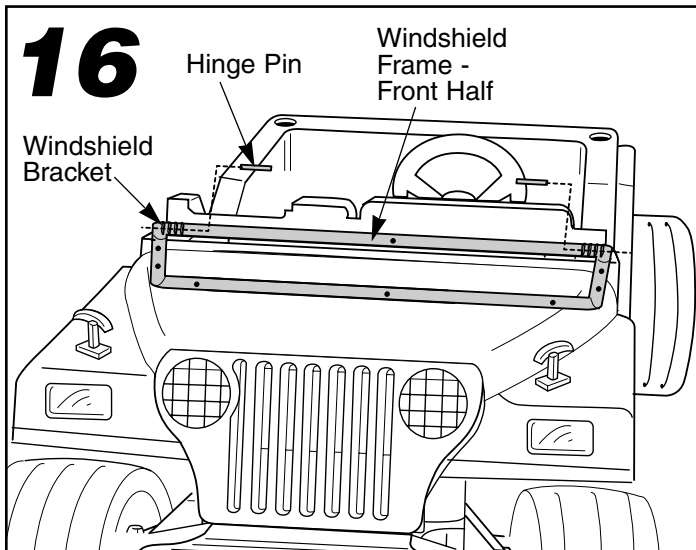


- Fit the screw pegs on the windshield brackets into the holes in the top surface of the dash. Press firmly to fit the lip on each windshield bracket into the slot in the top of the dash.
- Insert two #8 x 1" screws into each windshield bracket.
- Tighten the screws with a Phillips screwdriver. Do not over-tighten.

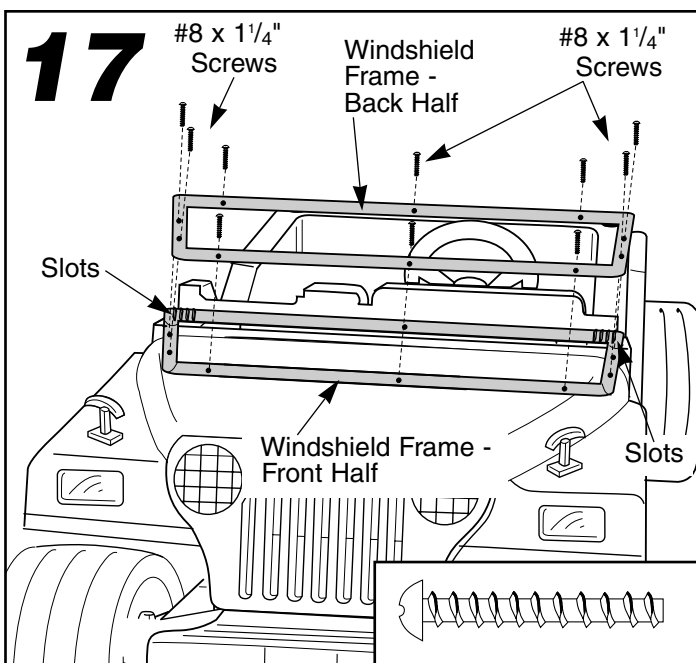


- Align the slots in the front half of the windshield frame with the tabs on the windshield brackets.
- Fit the front half of the windshield frame onto the windshield brackets as shown.

Assembly



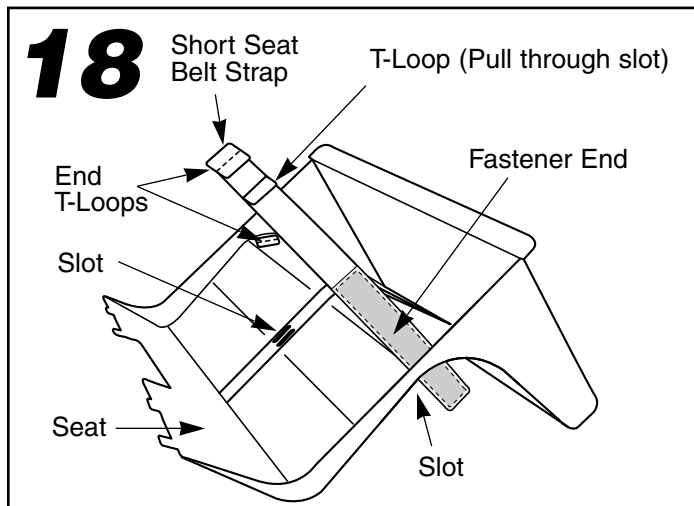
- Rotate the front half of the windshield frame down so it lays flat on the vehicle body.
- Working from the center of the vehicle, insert a hinge pin through the holes in the windshield frame and the holes in a windshield bracket, as shown.
- Repeat this procedure to secure the front half of the windshield frame to the other windshield bracket.



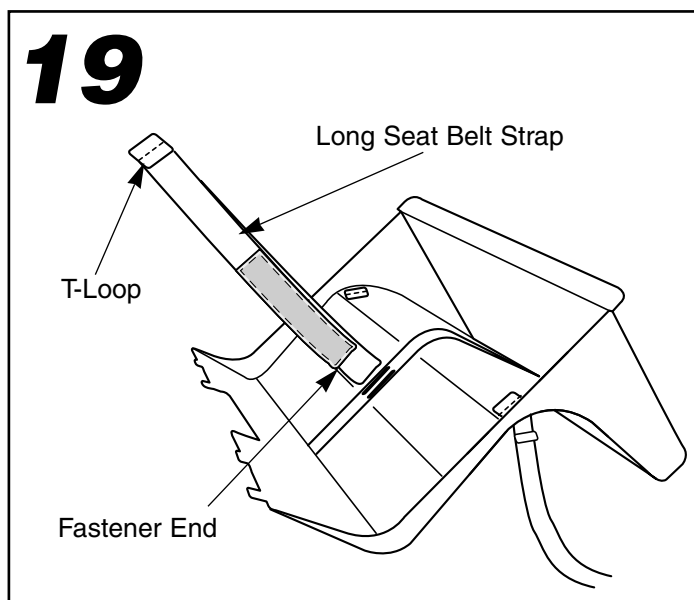
- Fit the back half of the windshield frame onto the front half of the windshield frame. Make sure the slots at the bottom of the two windshield frame halves are aligned.
- Insert ten #8 x 1/4" screws into the back half of the windshield frame.
- Tighten the screws with a Phillips screwdriver. Do not over-tighten.

Helpful Hint! Squeeze the two windshield halves together while tightening the screws.

- Lift the assembled windshield to the raised position.

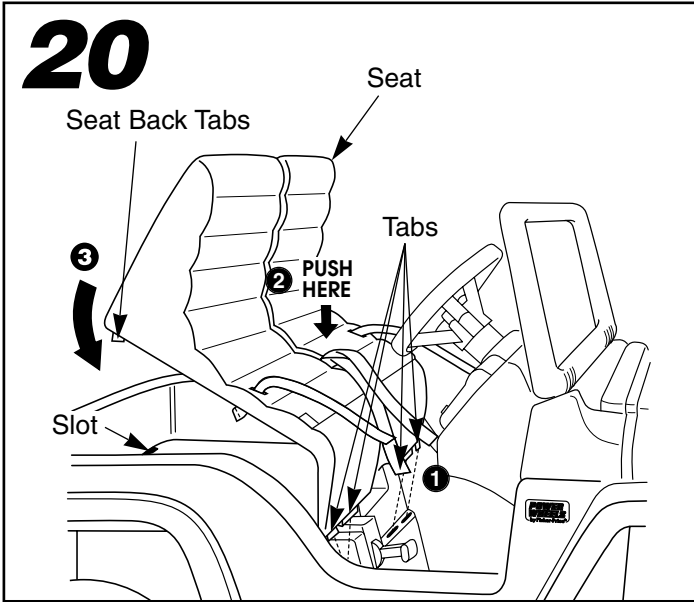


- Turn the seat upside down.
- Insert the fastener end of a short seat belt strap through the slot near the outer edge of the seat. Make sure the side of the seat belt with the fastener faces the outer edge of the seat.
- Pull the short seat belt strap completely through the slot until the last T-loop at the opposite end of the belt catches against the slot. You will pull one T-loop through the slot.
- Repeat this procedure to assemble the other short seat belt strap.

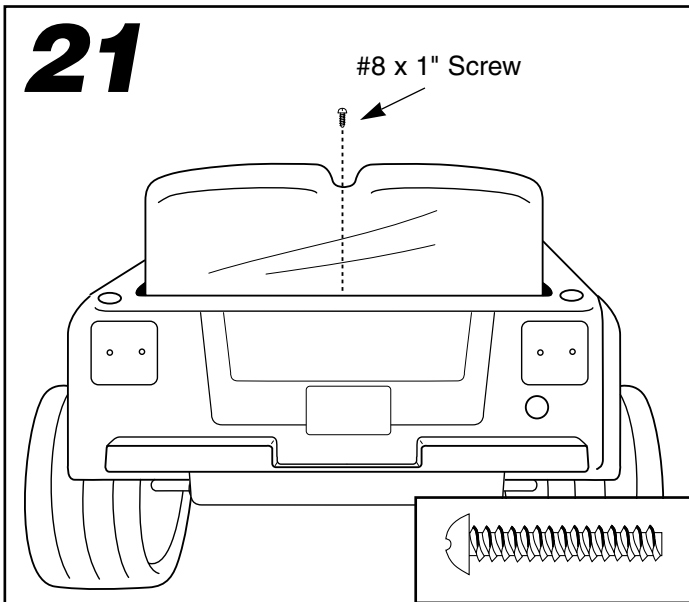


- Insert each fastener end of the long seat belt strap through a slot in the center of the seat. Make sure the fasteners face the outer edge of the seat.
- Pull each side of the long seat belt strap evenly through the slots. Make sure to pull each T-loop through a slot.
- Turn the seat upright.

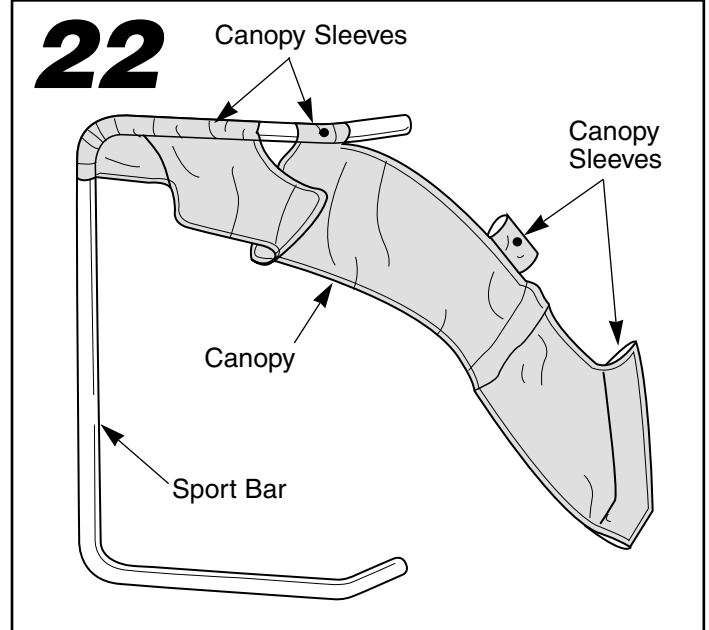
Assembly



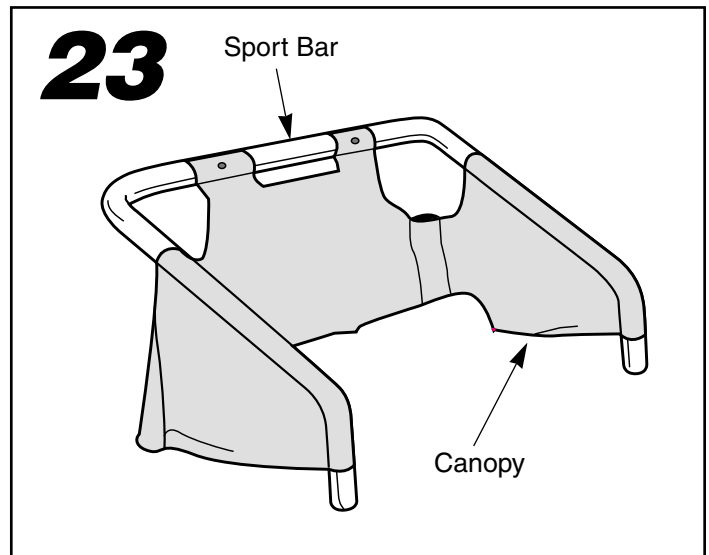
- With the seat at an angle, insert the tabs on the front edge of the seat into the slots in the foot-well wall **1**.
- Push down firmly on the edge of the seat above each tab to snap the tabs into the slots **2**.
- Rotate the back of the seat down **3** to snap the seat back tabs into the slots in the vehicle body. Push down firmly on the seat back.



- Insert a #8 x 1" screw into the rear of seat as shown.
- Tighten the screw with a Phillips screwdriver. Do not over-tighten.

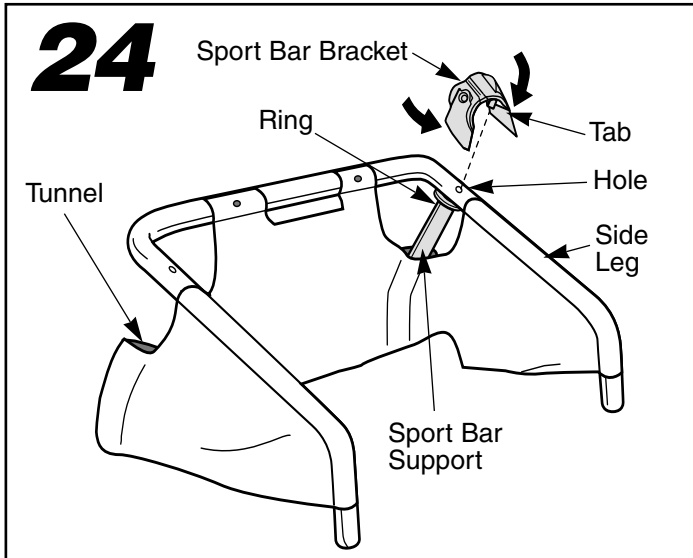


- Position the sport bar on its side so that the sport bar ends curve away from you.
- Position the canopy opposite the sport bar with the netting facing away from you.
- Slide the four canopy sleeves onto the sport bar.

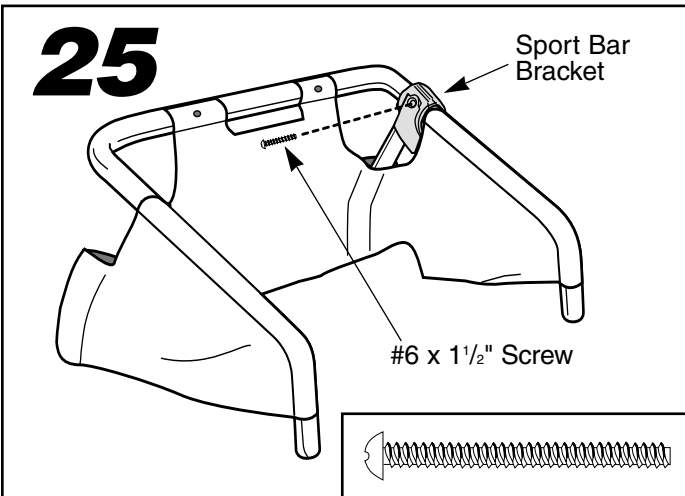


- Extend the canopy completely around the sport bar.

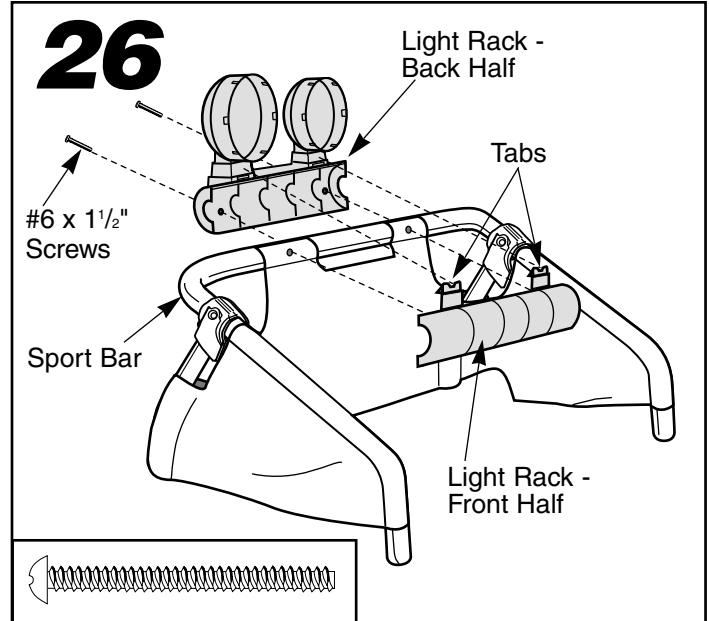
Assembly



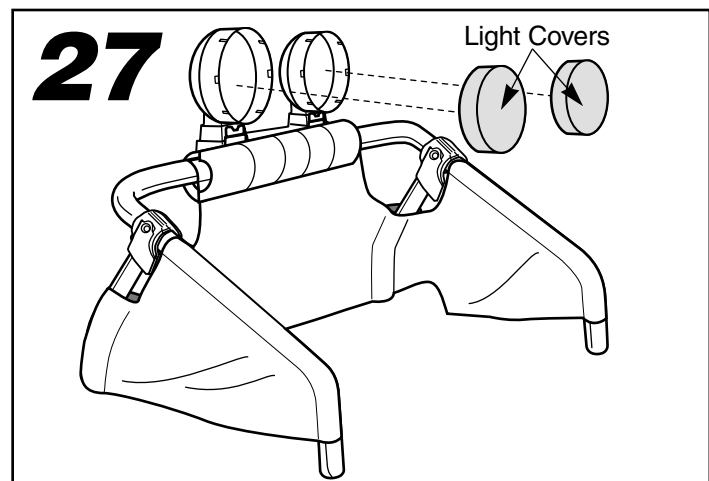
- Using safety scissors, remove the sport bar brackets from the plastic connector. Dispose of the plastic connector.
- Position the sport bar upright.
- Fit a sport bar support through a tunnel in a rear corner of the canopy. Make sure the ring end of the sport bar support is positioned toward the sport bar.
- Position a sport bar bracket above one of the sport bar side legs, as shown.
- Insert the tab on the inside of the sport bar bracket into the hole in the sport bar side leg.
- Fit the ring on the sport bar support against the end of the sport bar bracket.
- Fold the sport bar bracket over the sport bar to close it around the sport bar and sport bar support.



- Insert a #6 x 1/2" screw into the sport bar bracket.
- Tighten the screw with a Phillips screwdriver. Do not over-tighten.
- Repeat steps 24 and 25 to attach the other sport bar support to the other sport bar side leg.

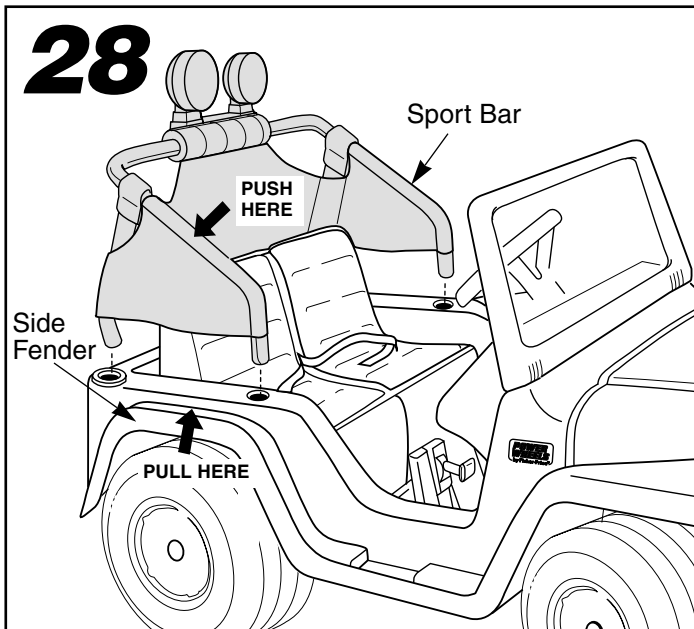


- Position the sport bar upright, as shown.
- Fit and hold the front and back halves of the light rack against the sport bar. Make sure the two light rack halves are aligned, and that the screw holes in the light rack are aligned with the screw holes in the canopy and the sport bar.
- Snap the tabs on the front half of the light rack into the slots below the light housings on the rear half of the light rack.
- Insert two #6 x 1/2" screws through the holes in the back of the light rack, through the sport bar, and into the front half of the light rack.
- Tighten the screws with a Phillips screwdriver. Do not over-tighten.

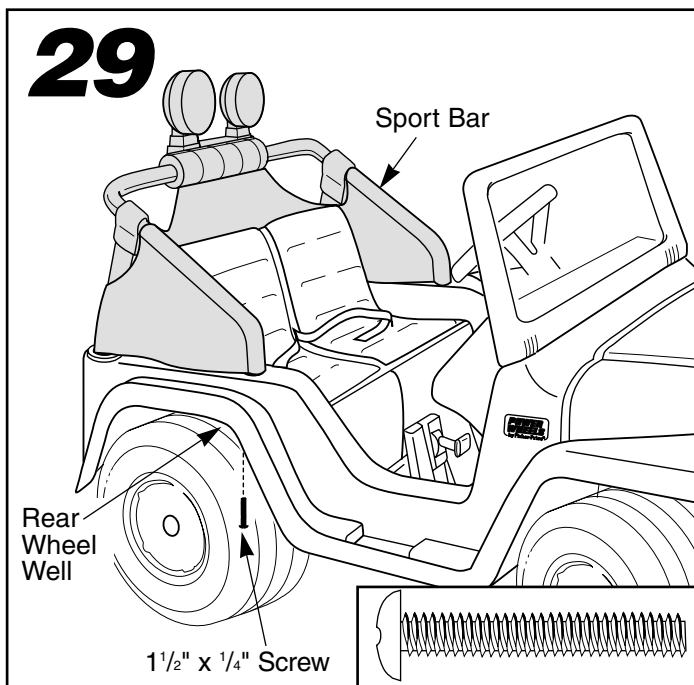


- Align the tabs on the inside of a light cover with the slots in one of the light housings on the light rack. Make sure the light covers are positioned with the wide spaced tabs towards the top.
- Push firmly on the light cover to snap it to the light housing.
- Repeat this procedure on the other side of the light rack to assemble the other light.

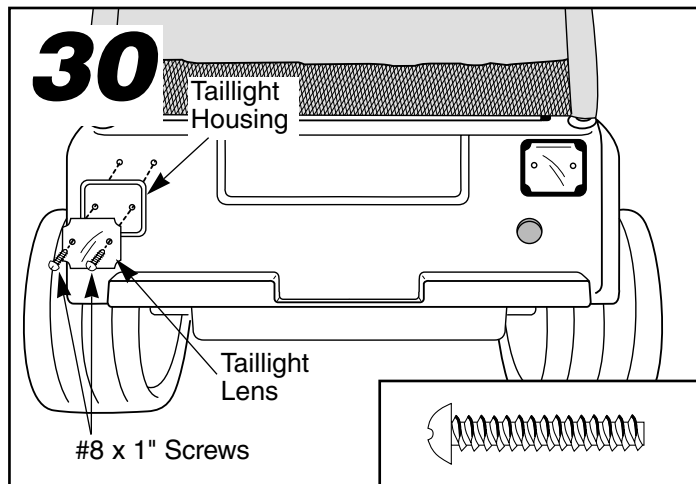
Assembly



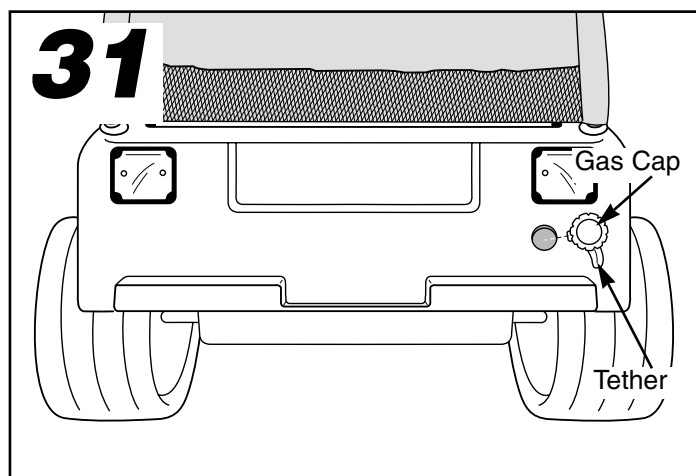
- Fit the sport bar and sport bar support legs into the holes in the vehicle body.
- Push down firmly on a sport bar side leg while pulling up on the side fender to fit the sport bar into the vehicle body.
- Repeat this procedure on the other side of the vehicle body.



- Insert a 1 1/2" x 1/4" machine screw into the hole closest to the front of the vehicle in the underside of the rear wheel well, through the vehicle body and into the end of the sport bar.
- Tighten the screw with a Phillips screwdriver. Do not over-tighten.
- Repeat this procedure on the other side of the vehicle body.



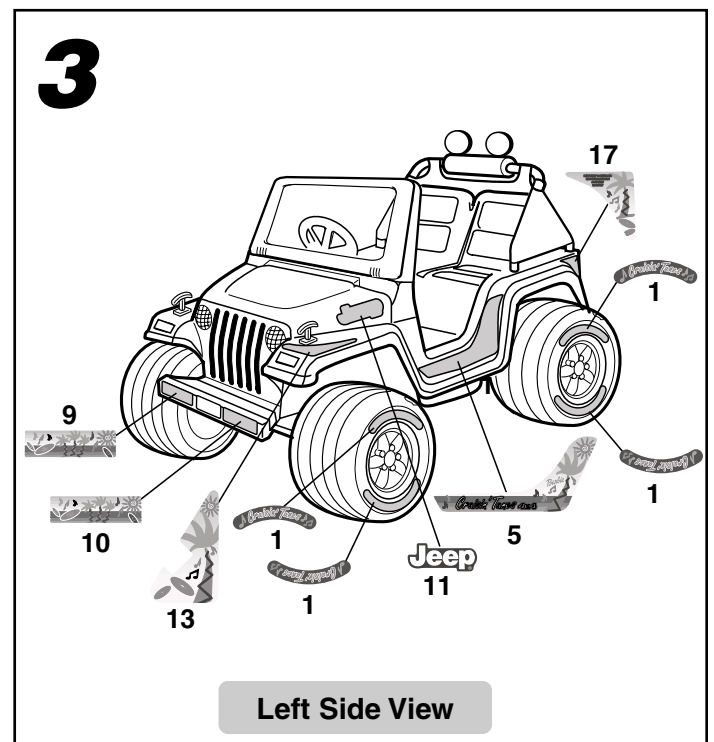
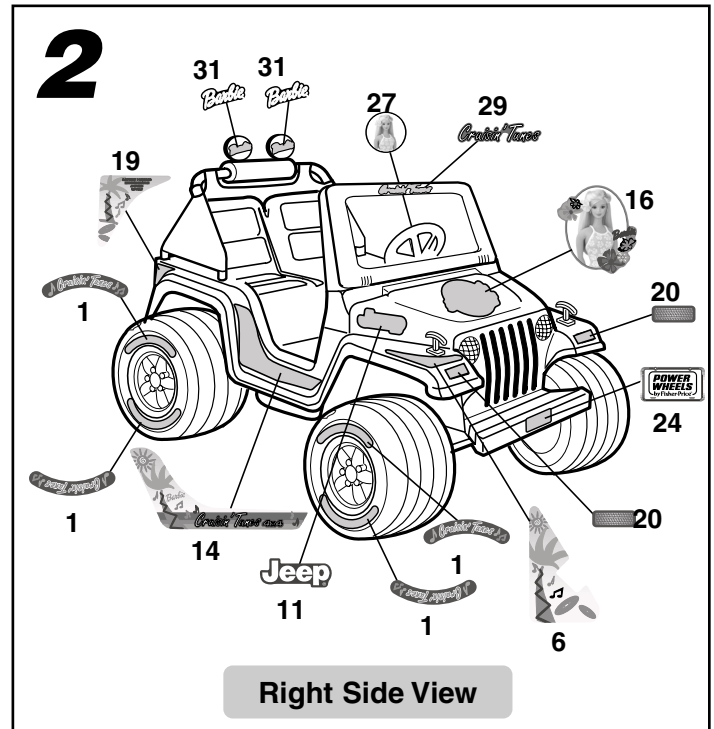
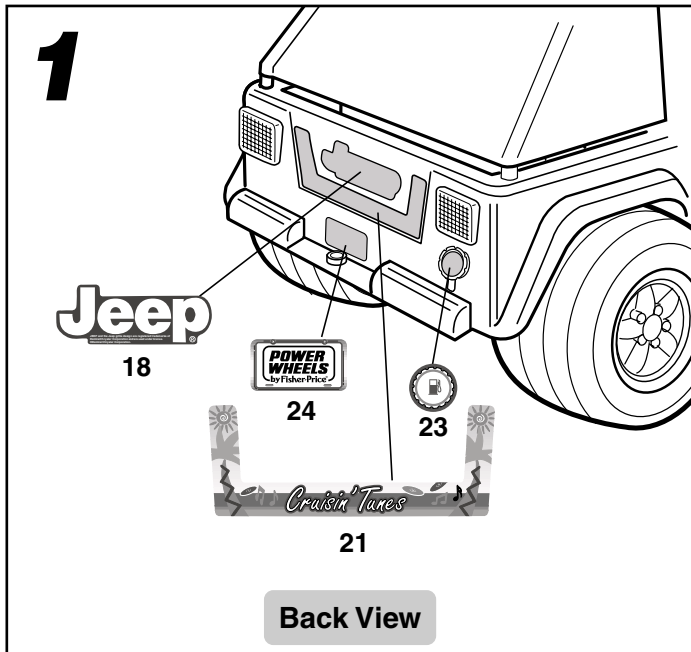
- Using safety scissors, remove the taillight lenses and the taillight housings from the plastic connectors. Dispose of the plastic connectors.
- Face the rear of the vehicle.
- Fit a taillight lens inside a taillight housing.
- Position the taillight housing with lens against the vehicle body with the screw holes aligned, as shown.
- Insert two #8 x 1" screws through the taillight lens and housing and into the vehicle body as shown.
- Tighten the screws with a Phillips screwdriver. Do not over-tighten.
- Repeat this procedure to attach the other taillight.



- Position the gas cap so that its tether points down.
- Snap the gas cap into the hole under the right taillight.

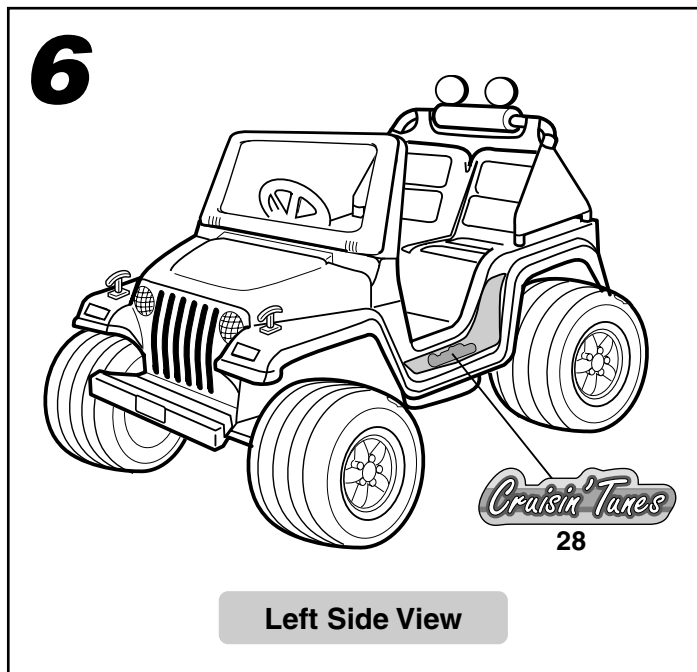
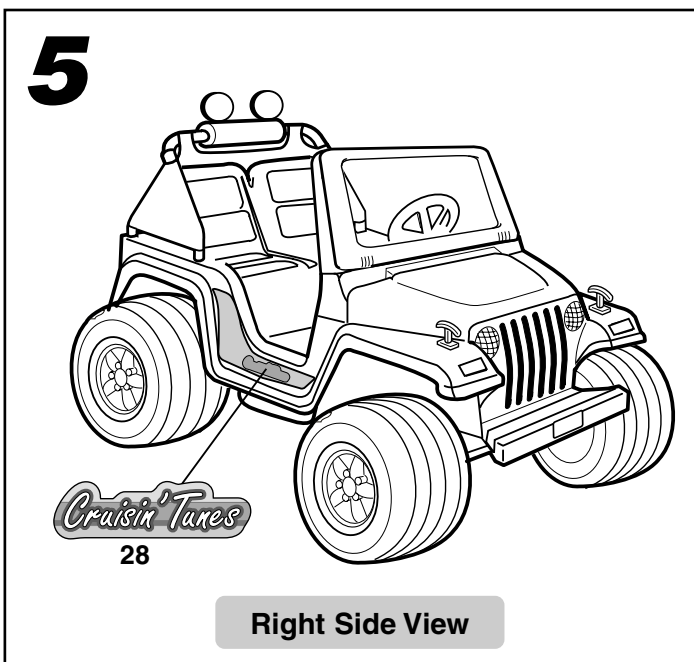
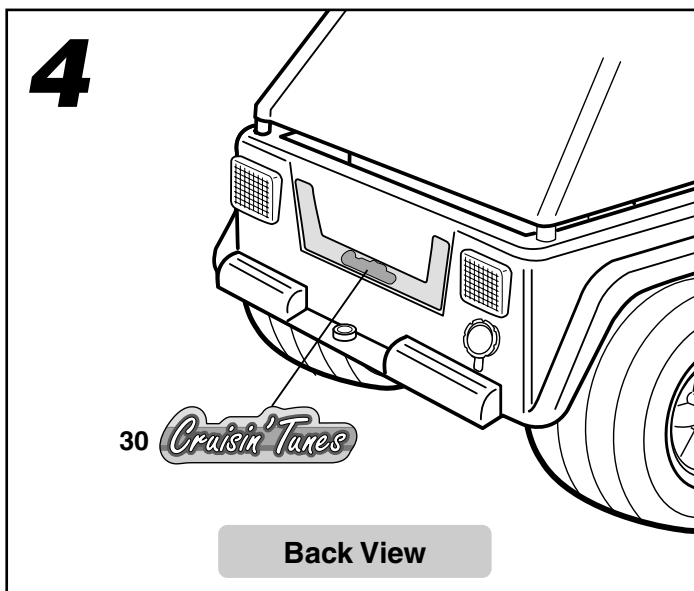
Proper label application will help to keep the labels looking their best! When applying labels, keep the following guidelines in mind:

- Wash your hands before applying the labels.
- Before applying the labels, wipe the surface of the vehicle with a clean, dry cloth to remove any dust or oils.
- Place the labels exactly as shown in the illustrations.
- For best results, avoid repositioning a label once it has been applied to the vehicle.
- **After applying a label, rub the label firmly with a clean, dry cloth to make sure the label is adhered to your vehicle. Start at the center of a label, and smooth towards the outer edges to remove air bubbles.**



Label Decoration

After applying the labels as shown in illustrations 1, 2 and 3, apply labels as shown in illustrations 4, 5 and 6 to add sparkle to your vehicle.

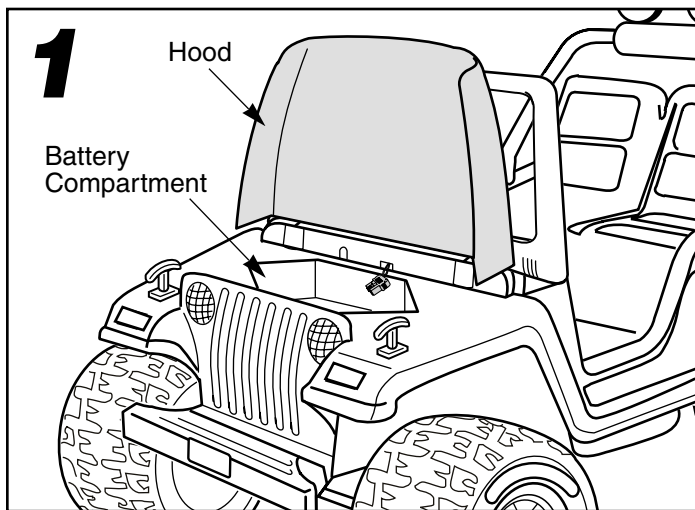


One-time assembly is now complete.

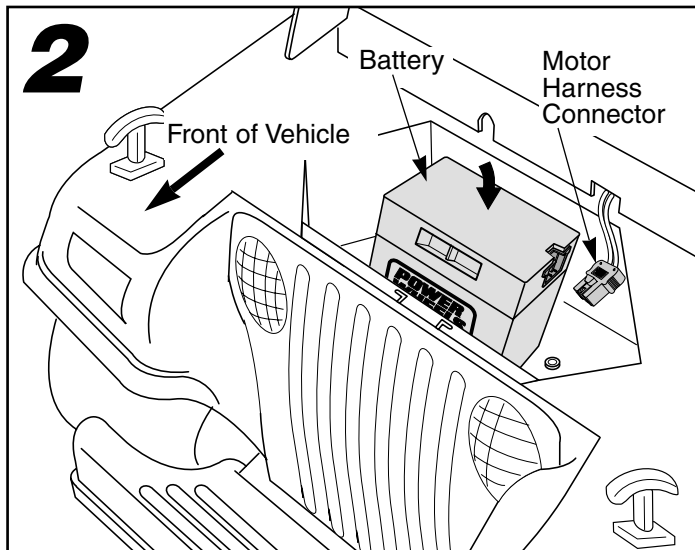
IMPORTANT NOTES:

- Please carefully read the owner's information in this manual and teach your child about proper vehicle operation and rules for safe driving before allowing operation of this vehicle.
- For safety reasons, your vehicle has been pre-set so that it will only operate at low speed (2½ mph, maximum). Make sure that your child can safely operate this vehicle at low speed before removing the high speed lock-out screw to allow operation of the vehicle at high speed (5 mph, maximum). **To disconnect high speed lock-out, please see page 24.**

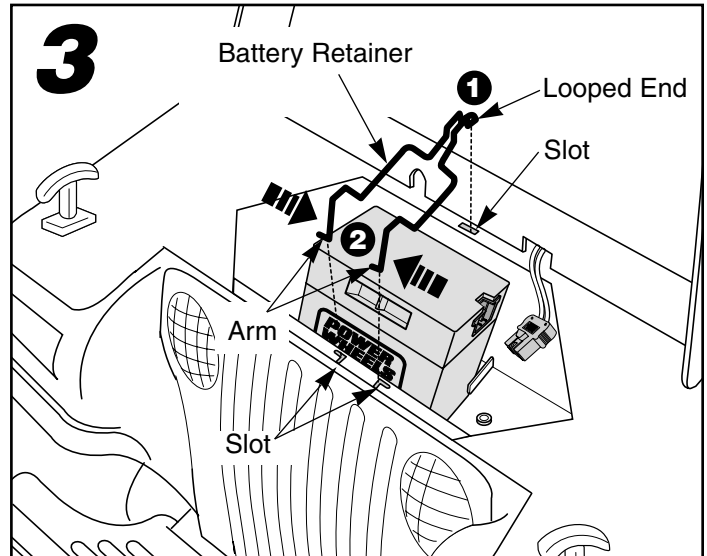
Important Note: Use only a Power Wheels® 12 volt battery. Use of any other battery will damage your vehicle. Make sure that you charge the battery for at least 18 hours using the enclosed Power Wheels® 12 volt charger before operating your vehicle for the first time. Charge the battery for at least 14 hours after each use of the vehicle. Never charge the battery longer than 30 hours. Failure to follow these instructions may damage your battery and will void your warranty. It is easier to install the battery before assembling the hood to your vehicle. If you have already assembled the hood to your vehicle, you may want to remove it to install the battery.



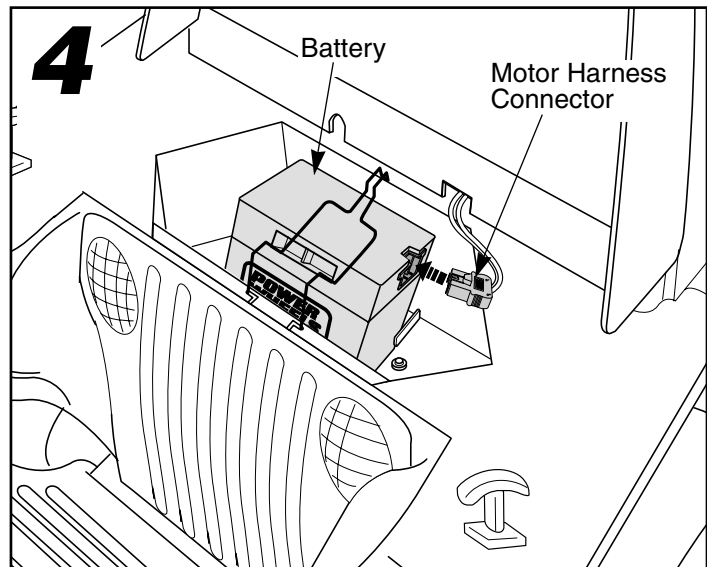
- Lift the hood to access the battery compartment.



- Place the Power Wheels® battery upright in the battery compartment.

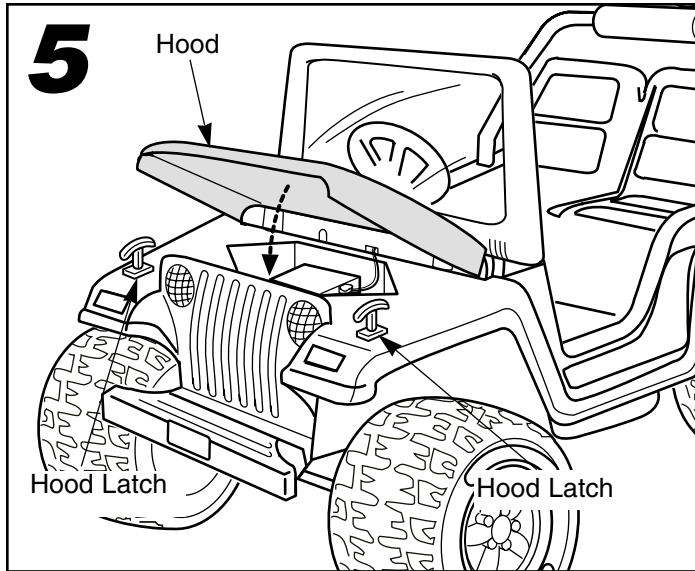


- Insert the looped end of battery retainer (1) into the slot in the vehicle body near the dash.
- Squeeze the battery retainer arms (2) and fit them into the slots in the vehicle body.



- Plug the motor harness connector into the battery.

Battery Installation



- Lower the hood.
- Lift the hood latches and fit the latch pegs onto the hood to close it.

I

Battery Care and Disposal

Disposal



- Your Power Wheels® battery is a sealed lead-acid battery. It must be recycled or disposed of in an environmentally sound manner.
- Do not dispose of a lead-acid battery in your regular, household trash. The incineration, landfilling or mixing of sealed lead-acid batteries with household trash is prohibited by law in most areas.
- Return the battery to a federal or state approved lead-acid battery recycler, such as a Power Wheels® authorized service center, or a local seller of automotive batteries. Contact your local waste management officials for other information regarding the environmentally sound collection, recycling and disposal of lead-acid batteries.

Battery Care and Disposal

Care

If a battery leak develops, avoid contact with the leaking acid and place the damaged battery in a plastic bag. See information below for proper disposal.

If acid comes in contact with skin or eyes, flush with cool water for at least 15 minutes and call a physician.

If acid is internally ingested, give water, milk of magnesia or egg whites immediately. Never give emetics or induce vomiting. Call a physician.

- Charge a new battery for at least 18 hours before first use. Never charge the battery longer than 30 hours. Overcharging or undercharging the battery may shorten battery life and decrease vehicle running time.
- After the first charge, recharge the battery for at least 14 hours after each use. Never charge the battery longer than 30 hours. Charge the battery after each use, regardless of how long the vehicle was used.
- The battery must be upright while charging.
- Do not allow the battery to run down completely before charging.
- Charge the battery before storing the vehicle.
- Charge the battery at least once per month, even if the vehicle has not been used.
- Leaving the battery in a discharged condition will ruin it.
- Do not store the battery in temperatures above 75° F or below -10° F.
- Prevent the battery from moving freely inside the battery compartment. Always use the battery retainer to secure the battery in the battery compartment.
- Examine the battery, charger and its connector for excessive wear or damage each time you charge the battery. If damage is detected, do not use the charger or the battery until you have replaced the worn or damaged part.

**WARNING**

- Adult supervision is required. Children do not have the judgement necessary to avoid many accidents. Be sure that children operating this vehicle can do so safely and that they are supervised at all times.
- Never use near steps, driveways, steep inclines, roadways, alleys, swimming pool areas or other bodies of water.
- Always wear shoes or sneakers when operating this vehicle.
- Never allow more than two riders; one driver and one passenger.
- The riders should sit on the seat when the vehicle is in operation.

Teach Safety Rules to Children

While children can quickly develop the skill necessary to drive this vehicle, it is important to remember that their judgement skills are still very immature. Unsupervised driving by children can lead to serious injury. Before children use this vehicle, an adult should carefully evaluate the driving area as well as the children's skill level and ability to drive this vehicle safely. Children are not always able to recognize or anticipate hazards, even when they have been taught about them. There is no acceptable substitute for adult supervision.

Teach appropriate safety rules to your child before allowing operation of this vehicle. These rules should also be reviewed with neighborhood children or other playmates who want to drive this vehicle.

1. Do not allow any child to drive the vehicle in the street or near moving (motorized) vehicles.
2. Do not allow any child to drive near bodies of water (such as pools or creeks), obstructions (such as furniture, low tree limbs or play equipment), or drop-offs (such as stairs or decks).
3. Do not allow any child to drive the vehicle in the dark. A child could encounter unexpected obstacles and have an accident. Operate the vehicle only in the daytime or in a well-lit area.
4. Teach your child to avoid driving on steep inclines or slopes. Restrict your child's driving to areas that are fairly level with gentle inclines or slopes of no more than 10°.
 - While driving down a steep slope, the vehicle may gain unsafe speed, even if the foot pedal is released to stop.

- While driving across a steep slope, the vehicle may tilt and tip over. The wheels could lose traction, causing the vehicle to slip.
- While driving up a steep incline, the motor may stop and the vehicle could roll backwards at an unsafe speed.



5. Do not operate this vehicle with more than two riders; one driver and one passenger seated in the seating area. A child who is not sitting on the seat or who is standing on the vehicle could fall off, cause a tip-over or block the driver's view. A child could be seriously injured.
6. Always wear shoes or sneakers when operating this vehicle.
7. Never put anything near any moving parts. Rotating parts such as motors, gear boxes and wheels can snag fingers, hair, etc., causing serious injury. Do not allow operation of the vehicle when it is on its side or in an upside-down position.
8. Do not operate the vehicle near flammable vapors (gasoline, paint thinner, acetone, liquid wax, etc.). The vehicle's electrical switches, like most electrical switches, emit an internal spark when first turned on or turned off. The presence of flammable liquids or vapors could cause an explosion or a fire. Keep all flammable products in tightly sealed containers and away from the vehicle.
9. Do not allow a child to operate the vehicle without proper adult supervision. To prevent unsupervised use of the vehicle, disconnect the motor harness from the battery when the vehicle is not in use.

To disconnect the motor harness connector and battery:

- Raise the hood to access the battery.
- Unplug the motor harness connector from the battery.
- Lower the hood and fasten the hood latches.

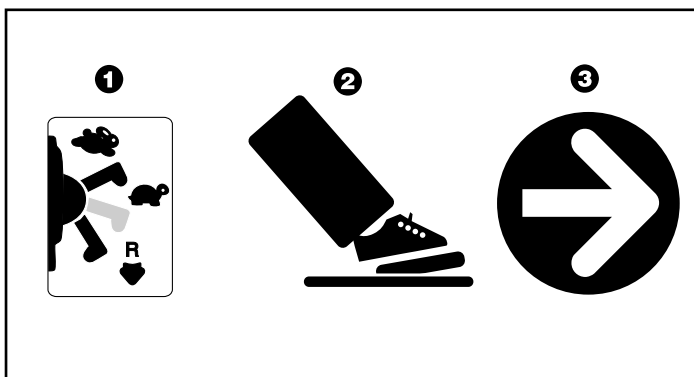
K

How to Operate Your Vehicle

Beginner Use - Low Speed Drive

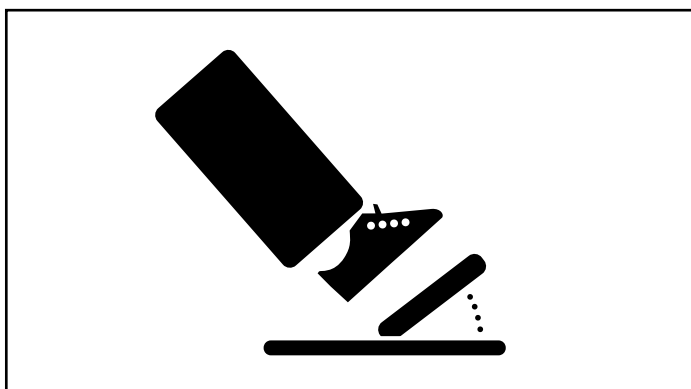
As assembled, your vehicle is ready to roll in low speed (2½ mph, maximum). It has been pre-set so it will only operate in low speed. After your child has mastered the basic skills of driving and understands the rules for safe driving, it's time to remove the high speed lock-out screw to allow the vehicle to operate in low or high speed.

See the instructions on page 24 to remove the high speed lock-out screw.



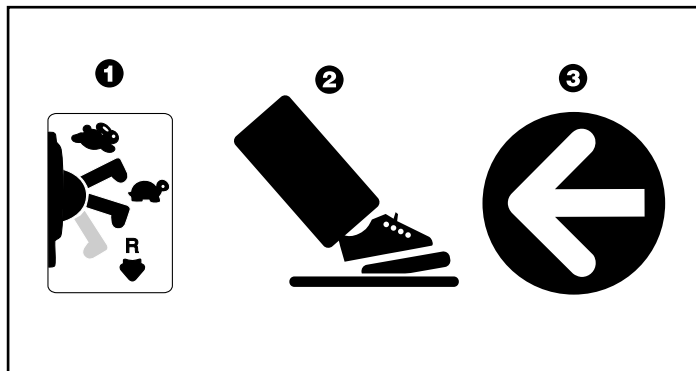
- Make sure the shifter is in the low speed (🚗) position ①.
- Press down on the foot pedal ②. The vehicle goes forward at a maximum of 2½ mph ③.
- Help your child practice steering to learn how far and how quickly to turn the steering wheel when driving forward in low speed.

To Stop 🖐️



- Your vehicle has a patented electronic braking system that automatically stops the vehicle when your child's foot is lifted from the pedal.
- Make sure your child is comfortable with steering the vehicle and automatically knows how to stop.

To Back Up



Please Note: To avoid damaging the motors and gears, stop the vehicle before shifting from forward to reverse (♥).

- Once your child is completely comfortable with operating the vehicle in the forward mode, introduce reverse (♥).

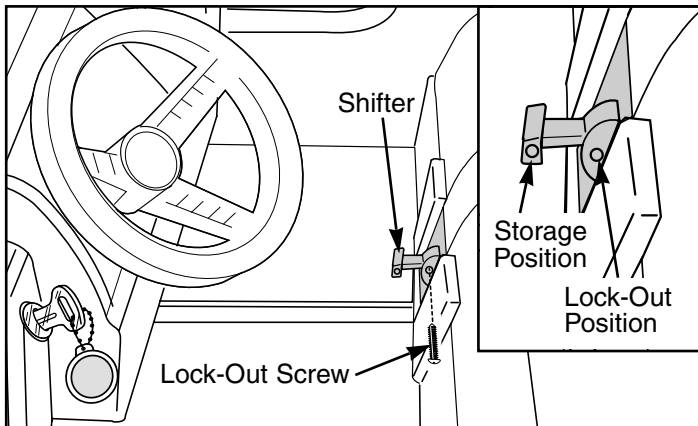
To Back Up

- Make sure the shifter is in the reverse (♥) position ①.
- Press down on the foot pedal ②. The vehicle will go in reverse at a maximum of 2½ mph ③. The vehicle is designed to operate in low speed only in reverse.
- Help your child practice steering to learn how far and how quickly to turn the steering wheel when driving in reverse.

How to Operate Your Vehicle

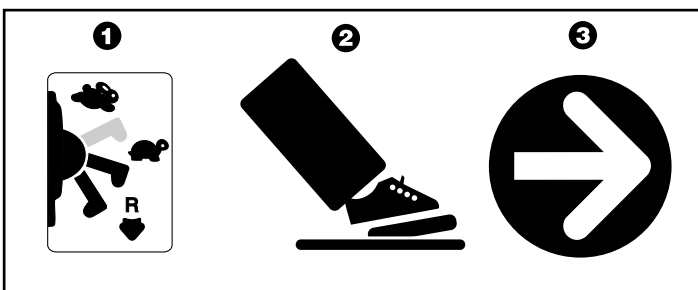
Advanced Use - High Speed Drive

Disconnecting the High Speed Lock-Out



- Before you disconnect the high speed lock-out, make sure your child knows how to steer, how to start and stop the vehicle and knows the rules for safe driving. When the high speed lock-out is disconnected, the vehicle can be driven forward in low speed (2½ mph, maximum) or high speed (5 mph, maximum).
- Make sure the shifter is in the reverse (♥) position.
- Loosen the screw in the shifter box using a Phillips screwdriver.
- Remove the screw.
- Insert the lock-out screw into the hole in the shifter handle to keep it for future use. It can be re-inserted into the shifter box to lock-out high speed.

To Drive



Please Note: To avoid damaging the motors and gears, stop the vehicle before shifting between low and high speed.

- Make sure the shifter is in the high speed (R) position ①.
- Press down on the foot pedal ②. The vehicle goes forward at a maximum of 5 mph ③.
- Help your child practice steering to learn how far and how quickly to turn the steering wheel when driving forward in high speed.
- Make sure your child is comfortable with steering the vehicle and automatically knows how to stop.
- Stopping in high speed is the same as stopping in low speed. The vehicle automatically stops when your child's foot is lifted from the pedal.

L

Caring For Your Vehicle

- Check all screws, retainers and protective coverings regularly and tighten as required. Check plastic parts on a regular basis for cracks or broken pieces.
- During snowy or rainy weather, the vehicle should be stored inside or under a protective cover. Remember to charge the battery at least once per month while your vehicle is not in regular use.
- Avoid operating the vehicle in wet or snowy conditions and do not spray the vehicle with a hose. Do not wash the vehicle with soap and water. Water or moisture in the motors or electrical switches can cause them to corrode and could cause switch or motor failure.
- Avoid operating the vehicle on sand, loose dirt or gravel. Sand, loose dirt or gravel in the motors or electrical switches can cause them to jam and could cause switch or motor failure.
- The vehicle can be wiped down with a soft, dry cloth. For a shiny finish, you can wipe plastic parts with a non-wax furniture polish applied to a soft-cloth. Do not use automotive wax. Do not use soap and water or spray the vehicle with a hose.
- To ensure that your vehicle stays in good operating order, we recommend that you periodically have your vehicle checked by a Power Wheels® authorized service center. See page 28 for the list of authorized service centers or call **1-800-348-0751** for the location of the authorized service center nearest you.

M

Problems and Solutions Guide

IMPORTANT! If you experience a problem with your vehicle, first check the Problems and Solutions Guide below. If you still experience a problem, please contact Power Wheels® Consumer Affairs, toll-free at **1-800-348-0751** between 8 AM and 5 PM (EST) Monday through Friday. Or, contact your local Power Wheels® authorized service center. For the location nearest you, please refer to the Authorized Service Center list beginning on page 28.

| Problem | Possible Cause | Solution |
|------------------------------------------|--------------------------------|--------------------------------------------------------------------------------------------------------------------------------------------------------------------------------------------------------------------------------------------------------------------------------------------------------------------------------------------------------------------------------------------------------------------------------------------------------------------------------------------------------------------------------------------------------------------------------------------------------------------------------------------------------------------------------------------------------------------------------------------------------------|
| Vehicle does not run | Undercharged battery | Charge the battery. A new battery should have been charged for at least 18 hours before using the vehicle for the first time. After first-time use, recharge the battery for at least 14 hours after each use. Never charge the battery longer than 30 hours. |
| | | Check all connectors. Make sure the charger connector is plugged into the battery, and that the charger is plugged into the wall. |
| | | Make sure power flow to the wall outlet is "ON". |
| | Charger is not working | There is no sure way to tell if your charger is working unless you have a volt meter. If you suspect there is a problem with your charger, contact your local Power Wheels® authorized service center. They can test your charger for you. |
| | Tripped thermal fuse | Each Power Wheels® 12 volt battery has a built-in thermal fuse. A thermal fuse may "trip" and shut down operation of the vehicle if the vehicle is overloaded or the driving conditions too severe. The fuse will automatically reset itself after approximately 25 seconds, allowing the vehicle to resume normal operation. To avoid repeated automatic shutdowns, do not overload the vehicle by exceeding the 130 lb. maximum weight capacity or by towing anything behind the vehicle. Avoid driving up very steep hills or running into fixed objects, which can cause the wheels to stop spinning while power is still being supplied to the motors. If a thermal fuse continually trips, contact your local Power Wheels® authorized service center. |
| | Loose wire or loose connectors | Check all wires and connectors. Make sure the motor harness connector is plugged into the battery, and that there are no loose wires around the motors. |
| | Dead battery | If your battery is old or if you have not followed Battery Care instructions, your battery may be dead. If you are unsure whether or not the battery is dead, you can have it tested at your local Power Wheels® authorized service center. |
| | Electrical switch damage | The electrical switches can become corroded due to exposure to water or moisture, or can jam due to loose dirt, sand or gravel. Contact your local Power Wheels® authorized service center for diagnosis and repair. |
| Vehicle was running but suddenly stopped | Motor damage | Contact your local Power Wheels® authorized service center for diagnosis and repair. |
| | Loose wire or loose connectors | Check all wires and connectors. Make sure the motor harness connector is plugged into the battery, and that there are no loose wires around the motors. |
| | Tripped thermal fuse | Each Power Wheels® 12 volt battery has a built-in thermal fuse. A thermal fuse may "trip" and shut down operation of the vehicle if the vehicle is overloaded or the driving conditions too severe. The fuse will automatically reset itself after approximately 25 seconds, allowing the vehicle to resume normal operation. To avoid repeated automatic shutdowns, do not overload the vehicle by exceeding the 130 lb. maximum weight capacity or by towing anything behind the vehicle. Avoid driving up very steep hills or running into fixed objects, which can cause the wheels to stop spinning while power is still being supplied to the motors. If a thermal fuse continually trips, contact your local Power Wheels® authorized service center. |

Problems and Solutions Guide

| Problem | Possible Cause | Solution |
|---------------------------------------------------|----------------------------------------------------------------------------------------------------------------------------------------------------------------------------------|------------------------------------------------------------------------------------------------------------------------------------------------------------------------------------------------------------------------------------------------------------------------------------------|
| Short run time (Less than 1 - 3 hours per charge) | Undercharged battery | Charge the battery. A new battery should have been charged for at least 18 hours before using the vehicle for the first time. After first-time use, recharge the battery for at least 14 hours after each use. Never charge the battery longer than 30 hours. |
| | | Check all wires and connectors. Make sure the charger connector is plugged into the battery, and that the charger is plugged into the wall. |
| | | Make sure power flow to the wall outlet is "ON". |
| | Overcharged battery | Do not charge the battery longer than 30 hours. If you suspect that your battery is damaged as a result of overcharging, contact your local Power Wheels® authorized service center. They can test your battery for you. |
| | Battery is old and will not accept full charge | Even with proper care, a rechargeable battery does not last forever. Average battery life is 1 to 3 years depending on vehicle use and use conditions. Replace the battery with a new Power Wheels® 12 volt rechargeable battery. For best performance, do not use substitute parts. |
| Vehicle runs sluggishly | Undercharged battery | Charge the battery. A new battery should have been charged for at least 18 hours before using the vehicle for the first time. After first-time use, recharge the battery for at least 14 hours after each use. Never charge the battery longer than 30 hours. |
| | | Check all connectors. Make sure the charger connector is plugged into the battery, and that the charger is plugged into the wall. |
| | | Make sure power flow to the wall outlet is "ON". |
| | Battery needs charging | After approximately 3 hours of constant use, the battery needs charging. |
| | Battery is old and will not accept full charge | Even with proper care, a rechargeable battery does not last forever. Average battery life is 1 to 3 years depending on the vehicle use and use conditions. Replace the battery with a new Power Wheels® 12 volt rechargeable battery. For best performance, do not use substitute parts. |
| Vehicle is overloaded | Make sure you do not overload the vehicle by allowing more than 2 riders at one time, by exceeding the 130 lb. maximum weight capacity, or by towing objects behind the vehicle. | |
| Driving conditions are too stressful | Use only on gentle inclines or slopes of 10° or less. | |

Problems and Solutions Guide

| Problem | Possible Cause | Solution |
|-----------------------------------------------------------------------------------------------------------------------------------------------------------|--------------------------------------------------------------------------------------------------------------|-------------------------------------------------------------------------------------------------------------------------------------------------------------------------------------------------------------------------------------------------------------------------------------------------------------------------------------------------------------------------------------------------------------------------------------------------------------------------------------------------------------------------------------------------------------------------------------------------------------------------------|
| <p>Vehicle runs in low speed, but does not run in high speed</p> <p>(Please Note: The vehicle is designed to operate in low speed only in reverse ♥.)</p> | High speed lock-out not disconnected | The vehicle was pre-set to run only in low speed. To allow the vehicle to run in low and high speed, you must disconnect the High Speed Lock-Out. Follow the instructions on page 24 to remove the High Speed Lock-Out screw. |
| When the foot pedal is pressed only one rear wheel spins | Operation of vehicle in low speed | It is possible that only one rear wheel may spin when both rear wheels are raised off the ground and the vehicle is in low speed. This does not necessarily indicate a problem. Check for proper operation of the drive system by raising the rear wheels off the ground and pressing the foot pedal. If only one rear wheel spins, carefully press your hand on the spinning wheel to slow it down. The other rear wheel should begin to spin. If the other rear wheel does not begin to spin, there may be a problem with the vehicle. Contact your local Power Wheels® authorized service center for diagnosis and repair. |
| Sometimes the vehicle doesn't run, but other times it does | Loose wire or connector | Check all wires around the motors and all connectors to make sure they are tight. |
| | Motor or electrical switch damage | Contact your local Power Wheels® authorized service center for diagnosis and repair. |
| When the foot pedal is pressed, the vehicle won't run without a push | Loose wire or connector | Check all wires around the motors and all connectors to make sure they are tight. |
| | "Dead Spot" on motor | Contact your local Power Wheels® authorized service center for diagnosis and repair. |
| Loud clacking or grinding noise from a motor-gearbox | Broken gears | Contact your local Power Wheels® authorized service center for diagnosis and repair. |
| Charger gets warm during use | It is normal for some chargers to get warm during use and is not reason for concern. | No action required. If your charger does not get warm during use, it does not mean that it is not working properly. |
| Battery makes a sizzling or gurgling noise when charging | It is normal for some battery to make noise and swell slightly while charging and is not reason for concern. | No action required. If your battery does not make noise or swell slightly during charging, it does not mean that it is not accepting the charge. |
| Radio does not work | Improperly installed batteries | Make sure three "AA" alkaline batteries are installed in the radio exactly shown in the battery compartment. |
| | Dead batteries | Replace the batteries in the radio with three new "AA" alkaline batteries. |

If, after reviewing the Problems and Solutions Guide, the vehicle still fails to operate, please contact your nearest authorized service center (see page 28) or contact Power Wheels® Consumer Affairs toll-free at **1-800-348-0751**.

Helpful Hint! For faster service when calling Consumer Affairs, completely charge the batteries before calling and have the following available by the phone:

- vehicle,
- vehicle model number (see sticker in battery compartment),
- vehicle production run number (see sticker in battery compartment).

N

Bumper-to-Bumper* Limited Warranty

***One year limited warranty from the date of purchase on the Power Wheels® vehicle.
Six month limited warranty on the 12 volt battery.**

For the original purchaser, this one year limited warranty covers the Power Wheels® ride-on vehicle (purchased from Power Wheels®) against defects in materials and workmanship. The six month limited warranty applies only to the 12 volt battery included by Power Wheels® with the original purchase of the vehicle.

This warranty covers normal use and does not cover the Power Wheels® vehicle or battery if damaged by unreasonable use, neglect, accident, abuse, misuse, improper service or other causes not arising out of defects in materials or workmanship. Evidence of any attempt at consumer repair will void this warranty. This warranty does

not cover, and is intended to exclude, any liability on the part of Power Wheels®, whether under this warranty or implied by law or any indirect or consequential damages for breach of warranty. Some states do not allow the exclusion or limitation so this limitation may not apply to you.

Should you need service or assistance with your vehicle during the warranty period, **do not return the vehicle to the store.** Power Wheels® has provided a nationwide network of authorized service centers. Please refer to the list in this manual. Power Wheels® is continually expanding our Authorized Service Center Network. If there is not an authorized service center in your area, please call Consumer Affairs for information, **1-800-348-0751.**

This warranty gives you specific legal rights, and you may also have other rights which may vary from state to state. **Please save your original sales receipt.**

O

Authorized Service Centers

We are continually expanding our Authorized Service Center Network. Please check this listing for the Authorized Service Center nearest you. If there is not one in your area, please call Power Wheels® Consumer Affairs at 1-800-348-0751.

ALABAMA

BIRMINGHAM - Frigid Appliance Center, 1861 Centerpoint Rd., 35215, (205) 853-3952
BIRMINGHAM - Frigid Appliance Center, 701 Graymont Ave. North, 35203, (205) 323-5831
DECATUR - Peddler II, 1308 Fairway Drive SE, 35601, (334) 792-7746
DOTHAN - Bill's Appliance Service, 208 Bic Rd., 36303, (334) 792-7746
DOUGLAS - Brown Hardware #4916, Highway 75, 35964, (256) 593-6086
HOMEWOOD - Frigid Appliance Center, 154 West Valley Ave. 35209, (205) 942-3959
MONTGOMERY - Acme Service Co., 2603 Highland Ave., 36107, (334) 264-2456
TROY - Specialty Batteries, 1317 South Brundidge St., 36081, (334) 670-6800, Toll Free: (800)-477-8230

ALASKA

ANCHORAGE - Ken's Electronics Service, 360 E. International, 99518, (907) 562-3443

ARIZONA

GLENDALE - Elliott Electric Appliance, 6242 N. 43rd Ave., 85301, (602) 937-2613
SCOTTSDALE - Elliott Electric Appliance, 7515 E. McDowell Road, 85257, (602) 946-7487
TUCSON - Arizona Small Appliance Service, 5033 E. 5th Street, 85711, (520) 325-3988

ARKANSAS

FT. SMITH - Bromley Appliance Service, 614 North 10th Street, 72901, (501) 782-9646
JONESBORO - Jonesboro Sewing & Vac, 1420 South Caraway Road, 72401, (870) 931-9600, (800) 530-7656
LITTLE ROCK - C & W Tool Repair, 1400 South Main St., 72202, (501) 374-1911
ROGERS - Kressels Vacuum & Repair, 115 North 5th St., 72756, (501) 636-7894
STUTTGART - Davis Lumber Company, 301 East Michigan, 72160, (870) 673-3601

CALIFORNIA

ANDERSON - Hardware Express #0572, Do It Best, 96007, (530) 365-3783
BAKERSFIELD - Southwest TV, 6300 White Lane, Suite B, 93309, (805) 397-4940
CONCORD - Ca. Electric Service Inc., 1170-G Burnett Ave., 94520, (925) 827-1011
COVINA - Ca. Electric Service Inc., 612 Shoppers Ln., 91723, (626) 915-4935
FORT JONES - Ft. Jones Frontier Hardware, 11911 Main Street, 96032, (916) 468-2266
FRESNO - Valley Small Appliance, 4005 E. Ashlan Ave., 93726, (209) 224-5530
FULLERTON - Ca. Electric Service Inc., 1208 E. Ash Avenue, 92831, (714) 870-0900
LOS ALAMITOS - Ca. Electric Service Inc., 11284 Los Alamitos Blvd., 90720, (562) 430-2668
MERCED - Moosehead Electronics, 920 W. 18th Street, 95340, (209) 723-4712
MISSION VIEJO - Ca. Electric Service Inc., 23725 Via Fabricante, 92691, (714) 586-9440
OAKLAND - Ca. Electric Service Inc., 2301 Broadway, 94612, (510) 834-1050
OXNARD - Tiny's / The Clean-up Store, 1237 Saviers Road, 93033, (805) 487-9401
PASADENA - Ca. Electric Service Inc., 2594 E. Colorado Blvd., 91107, (626) 792-3194
SACRAMENTO - Ca. Electric Service Inc., 1717 Bell Street, 95825, (916) 648-1604
SALINAS - SRS Hobbies, 1038A North Davis Road, 93907, (831) 424-4044, (800) 414-4547
SAN DIEGO - Ca. Electric Service Inc., 3440 El Cajon Blvd., 92104, (619) 283-6488
SAN FRANCISCO - Ca. Electric Service Inc., 3934 Geary Blvd., 94118, (415) 386-4500

SAN JOSE - Ca. Electric Service Inc., 481 South Bascom Ave., 95128, (408) 295-1722
SANTA ROSA - Hardisty's Inc., 710 Farmers Lane, 95405, (707) 545-0535
SKY FOREST - Sky Forest Electrical, 26870 Highway 18, 92385, (909) 337-0811
STOCKTON - California Electronics, 929 North Yosemite Street, 95203, (209) 466-5432
TEMECULA - Ca. Electric Service Inc., 41715 Enterprise Circle, 92590, (909) 695-5445
VAN NUYS - Ca. Electric Service Inc., 14753 Oxnard Blvd., 91411, (818) 997-8855
WEST LOS ANGELES - Ca. Electric Service Inc., 2314 S. Westwood Blvd., 90064, (310) 475-2532
YUCAIPA - Aire-Rite Heating & A/C, 34724 Yucaipa Blvd., 92399, (909) 797-2788

COLORADO

COLORADO SPRINGS - Nelson Appliance Repair, Inc., 1220 E. Fillmore, 80907, (719) 635-1928, (800) 291-8010
DENVER - Appliance Service, 4262 Lowell Blvd., 80211, (303) 458-1109
ENGLEWOOD - Appliance Service, 3932 S. Broadway, 80110, (303) 781-1227, (800) 553-1864
GRAND JUNCTION - V & L Appliance Service, 591 25 Road Suite A6, 81506, (970) 243-3360
PUEBLO - Direct Maytag Home Appliance Co., 1407 Santa Fe Drive, 81006, (719) 543-0777

CONNECTICUT

HAMDEN - New Haven Appliance, 1627 Dixwell Ave., 06514, (203) 288-6229
HARTFORD - Hartford Element & Appliance, 1500 Albany Avenue, 06112, (860) 246-7424, (800) 787-9777
SHELTON - Jeff's Appliance, Inc., 500 A Howe Avenue, 06484, (203) 924-8997
STAMFORD - Appliance Service of Stamford, 15 Cedar Heights Road, 06905, (203) 322-7656
WATERBURY - P.J. Appliance Repair, 935 South Main Street, 06706, (203) 757-1014

Authorized Service Centers

DELAWARE

SELBYVILLE - Ahern & Son, Inc., #2 S. Dupont Hwy Rt. 2, 19975, (302) 436-4100

WILMINGTON - Lyons Hardware Do-It Center, 2021 Kirkwood Highway, 19805, (302) 995-1260

DF

MEXICO - S.E.G.E.S.A., Calz De Tlalpan 1172-A, CP3540

FLORIDA

ATLANTIC BEACH - First Coast Repair, 25 Seminole Road, 32233, (904) 246-4616

CAPE CORAL - Family Hardware #0827 Do-It Express, 33904, (941) 542-6365

DELRAY BEACH - Mister Fixit, 209 S.E. 2nd Avenue, 33483, (561) 243-9999

GAINESVILLE - Authorized Appliance Service, 2614 South West 34th Street, 32608, (352) 375-3886

HIALEAH - S-O Service Company, 925 Hialeah Drive, 33010, (305) 887-6275

HOLLY HILL - Ormond Element, 1668 Ridgewood Avenue, 32117, (904) 677-3497

JACKSONVILLE - Authorized Appliance, 6120-5 Powers Avenue, 32217, (904) 737-5312

LAKELAND - Electric Shaver & Small Appliance, 4243 S. Florida Avenue, 33813, (941) 644-4690

MIAMI - Goodman's Sales & Service, 13081 SW 133 Court, 33186, (305) 278-8822

NORTH PALM BEACH - Appliance Doctors II, 450 Northlake Blvd., 33408, (561) 845-0377

OCALA - Vacuum Center & Gifts, 2012 South Pine Avenue, 34474 (352) 732-6335

ORLANDO - Pine Hills Appliance Svc. Co., 6100-4 W. Colonial Drive, 32808, (407) 299-1271

ORLANDO - Southern Electric Co., 510 N. Parramore Avenue, 32801, (407) 841-8824, (800) 940-8824

PANAMA CITY - Callaway Vacuum & Sewing, 221 N. Tyndall Parkway, 32404, (850) 763-7443

PENSACOLA - Foster's Appliance Repair, 3836 N. Davis Highway, 32503, (850) 432-8853

POMPANO BEACH - Authorized Appliance, 2171 North Dixie Highway, 33060, (954) 941-2038

PORT ST. LUCIE - Hoppe's Authorized Vac & Appliance, 6735 South Federal Hwy, 34952, (561) 464-0102

SARASOTA - Sunray Small Appliance, 8371 N. Tamiami, Tr US-41, 34243, (941) 358-9999, (800) 895-5655

SEBRING - Ace Hardware of Sebring, 305 US 27 North, 33870, (941) 385-2785

SPRING HILL - Ace Hardware #5304F, 5350 Spring Hill Drive, 34606, (352) 686-4743

ST. PETERSBURG - Keystone Electric, 4604 Central Avenue, 33711, (813) 321-1124

STUART - Appliance Doctors, 3166 S.E. Dixie Highway, 34997, (561) 287-6437

SUNRISE - Muller Appliance Service, 2116 N. University Drive, 33322, (954) 749-5460

TAMPA - Authorized Appliance Service Co., Dibbs Plaza, 33624, (813) 968-6638

VERO BEACH - Hoppe's Authorized Vac & Appliance, 1872 Commerce Avenue, 32960, (561) 562-4466

WEST PALM BEACH - Satisfaction TV Video, 1980 S. Congress Avenue, 33406, (561) 439-3733, (800) 477-3734

GEORGIA

ATLANTA - Georgia Service Center, 5366 Buford Highway, 30340, (770) 455-1716, (800) 455-1715

AUGUSTA - A & A Appliance Parts & Service, 1708 Walton Way, 30904, (706) 733-5163

BRUNSWICK - Arco Hardware & Supply, 3711 Community Road, 31520, (912) 267-0771

COLUMBUS - Burrell's National Appliance Service, 1728 Warm Springs Road, 31904, (706) 327-0523

GAINESVILLE - Bike Town USA, 1604 Dawsonville Hwy., 30501, (770) 532-7090

LOGANVILLE - Mtn. Mower Sales and Service, 380-A Hwy. 78, 30249, (770) 466-9111

MARIETTA - Philips Consumer Electronics, 200 N. Cobb Parkway, 30062, (770) 795-0085

SAVANNAH - Hagins Appliance Service, 3 West Victory Drive, 31405, (912) 233-8372

TIFTON - Western Auto, 354 South Main Street, 31794, (912) 382-5767

VALDOSTA - Harry B. Anderson, Inc. Western Auto, 31601, (912) 242-5945

WOODSTOCK - All City Appliance Inc., 8477 Hwy 92 Suite 110, 30189, (770) 924-2375

HAWAII

HONOLULU - McCully Bicycle & Sporting Goods, 932 Hausten Street, 96826, (808) 946-1192

WAILUKU - Tom's Appliance Sales & Service, 1816 Mill Street Suite 104, 96793, (808) 244-6278

WAIPAHU - Waipahu Bicycle, 94-320 Depot Street, 96797, (808) 671-4091

IDAHO

BOISE - Boise Appliance, 1503 Main Street, 83702, (208) 343-0102

ILLINOIS

CHAMPAIGN - Appliance Parts & Service, 905 Francis, 61821, (217) 355-0220

DECATUR - Rexx Battery of Decatur, 1330 E. Eldorado Street, 62521, (217) 422-0281

DOWNER'S GROVE - Authorized Appl. Svc. Co., 1644 W. Ogden Ave., 60515, (630) 852-1550, (800) 829-1798

JACKSONVILLE - Rexx Battery Specialists, 847 South Main Street, 62650, (217) 245-2713

LINCOLN - Rexx Battery Specialists, 504 Keokuk, 62656, (217) 732-2885

MORTON GROVE - Brand Parts & Repair Center, 5618 Dempster Street, 60053, (847) 965-5900

MT. VERNON - Battery Specialists, 1018 South 10th, 62864, (618) 244-0091

NASHVILLE - Kesel Hardware #5399, 173 West St. Louis, 62263, (618) 327-8957

NILES - Household Appl Sales & Service, 7411 N. Milwaukee Ave., 60714, (847) 647-8250, (800) 572-6826

PEORIA - Rexx Battery Specialists, 3033 North University, 61604, (309) 687-3564

ROCKFORD - Sun Appliance Sales & Service, 3112 N. Rockton Avenue, 61103, (815) 964-3866

SPRINGFIELD - Rexx Battery Co. Inc., 2505 South Grand East, 62703, (217) 535-4096

TAYLORVILLE - Battery Specialists +, Golf Cars, 62568, (217) 824-3943

INDIANA

EVANSVILLE - Electro Hygiene Co., 1614 South Kentucky, 47714, (812) 425-2671

FT. WAYNE - HWI Hardware & Paint, 6043 Stellhorn Road, 46835, (219) 485-8861

FT. WAYNE - Southside Vacuum Co. Inc., 3702 S. Calhoun St., 46807, (219) 745-7788, (888) 209-8113

INDIANAPOLIS - Brand Appl Svctr Inc., 1827 N. Meridian Street, 46202, (317) 924-1386

INDIANAPOLIS - Sullivan Do-It Center #957, 7021 N. Keystone, 46220, (317) 255-9230

NEW ALBANY - Wells Hardware #1607, 1011 Vincennes Street, 47150, (812) 944-4523

OSCEOLA - AAA Appliance Service Co., 11868 Lincoln Way West, 46561, (219) 679-4981

SOUTH BEND - Ray's TV and Appliance, 60717 US 31 South, 46614, (219) 291-1630

IOWA

BETTENDORF - K & K True Value Hardware, 1818 Grant Street, 52722, (319) 359-4473

CEDAR RAPIDS - Stalker Electric Inc., 110 3rd Ave. SW, 52404, (319) 364-5646

COUNCIL BLUFFS - Millard Television Inc., 1840 Madison Avenue, 51501, (712) 322-9552

DES MOINES - Quality Appliance Repair Center, 1417 Walnut Street, 50309, (515) 288-0108

DUBUQUE - Shavers Plus, 1824 Central Avenue, 52001, (319) 556-4442

FT. DODGE - Messerly Electronics, 614 1st Avenue South, 50501, (515) 576-4480

GRINNEL - Bikes To You, Inc., 921 Broad Street, 50112, (515) 236-8600

SIoux CITY - Millard Television Inc., 1419 Hamilton Blvd., 51103, (712) 258-3435

KANSAS

COLBY - Gavon's Electronics, 1870 South Range, 67701, (785) 462-6601

JUNCTION CITY - R/C Hobbies, 115 W. 7th Street, 66441, (785) 238-1877

OVERLAND PARK - Mar-Beck Appliance Service Co. Inc., 8471 West 95th Street, 66212, (913) 642-1557

WICHITA - Alan Appliance Service, Inc., 1300 E. Central, 67214, (316) 262-7228, (800) 290-7228

KENTUCKY

GREENVILLE - Malone Lumber Do-It Center, 204 W. Depot Street, 42345, (502) 338-3252

LOUISVILLE - Maury's Appliance Service, 1521 Bardstown Road, 40205, (502) 456-1671

MADISONVILLE - Kuester's Hardware, North Main St., 42431, (502) 825-2818

MT. WASHINGTON - Mt. Washington Auto, Box 316 520 N. Bardstown, 40047, (502) 538-4296

OWENSBORO - Kuester's Inc., 1210 Carter Road, 42301, (502) 685-4916

PADUCAH - Hank Brothers True Value, 3101 Lone Oak Road, 42003, (502) 554-4001

LOUISIANA

ALEXANDRIA - Red River Cyclery, 3724 South MacArthur Dr., 71302, (318) 473-4256

BAKER - Gayle Batt. Distributors, 16555 Plank Road, 70714, (504) 774-7475, (800) 965-3258

BATON ROUGE - Home Appliance Service, Inc., 10781 Florida Blvd., 70815, (504) 272-7727

HAMMOND - Battery Depot, 207 East Thomas Street, 70401, (504) 542-4983

HOUMA - Terrebonne Marine, 1201 St. Charles Street, 70360, (504) 872-3314

LAFAYETTE - Cullen's Playland, 4498 Johnston Street, 70503, (318) 981-2929

LAKE CHARLES - Capitol Schwinn Cyclery, 722 E. Prien Lake Road, 70605, (318) 474-9090

METAIRIE - Le Jouet Inc., 1700 Airline Hwy, 70001, (504) 837-0533

MORGAN CITY - Sam's Sales & Service, Inc., 408 Roderick Street, 70380, (504) 384-1428

NEW IBERIA - Voorhies Supply Co. Inc., 401 W. St. Peter Street, 70560, (318) 364-2431

SHREVEPORT - Shreveport Shaver and Appliance, 9750 St. Vincent, 71106, (318) 865-5088, (800) 349-7722

MAINE

BANGOR - Adco Surgical Supply Co., 1292 Hammond St., 04401, (207) 942-5273, (800) 727-5273

GREENE - Brule's Auto Clinic & Sales, 968 Sawyer Road, 04236, (207) 375-4872, (800) 339-4872

PORTLAND - Colonial Electronics, Inc., 259 St. John Street, 04102, (207) 774-6666

MARYLAND

BERLIN - Myers Auto-Power Tool Rental Co. Inc., 21811, (410) 641-3497

GAITHERSBURG - Waters Appliance Service, 216 E. Diamond Ave., 20877, (301) 258-7500, (800) 225-5009

GLEN BURNIE - Taylor Rental, 7389 Baltimore-Annapolis Blvd., 21061, (410) 768-1933, (800) 836-8464

TOWSON - Duran Service Company, 8741 Mylander Lane, 21286, (410) 321-9033

MASSACHUSETTS

LOWELL - Lowell Appliance Service Center, 564 Dutton Street, 01854, (978) 454-8731

MAYNARD - Gramp's Garage, 16 Main Street, 01754, (978) 461-0463

MEDFIELD - Wills Hardware #4373, 5 Janes Avenue, 02052, (508) 359-4381

NEEDHAM - Suburban Appliance Service Center, 34 Wexford Street, 02194, (781) 449-8787

QUINCY - Appliance Service and Parts Inc., 582 Washington Street, Route 3A, 02169, (617) 773-6656

SALEM - Fix Master Inc., 190 North Street, 01970, (978) 745-0004

SPRINGFIELD - Utility Electric Service, Inc., 810 Main Street, 01101, (413) 781-1635

Authorized Service Centers

MICHIGAN

ALMONT - Almont Do It Center #421, 4545 Van Dyke, 48003, (810) 798-8922
BAY CITY - Bay Vac & Pedal, 805 Columbus Ave., 48708, (517) 892-7516
BRIGHTON - Complete Battery Source, 8023 W. Grand River, 48116, (810) 220-1050
DAVISON - Gill-Roy's Hardware, 8405 East Davison, 48423, (810) 653-2288
DEARBORN - McNichols Electric Service, 1836 Grindley Park, 48124, (313) 563-7550
DETROIT - McNichols Electric Service, 13725 W. McNichols, 48235, (313) 342-6070, (800) 562-4226
GAYLORD - Alpine Electronics Services, 604 West Main, 49735, (517) 732-5004, (800) 244-6633
GRAND RAPIDS - Superior Appliance Company, 1050 Scribner Avenue, NW, 49504, (616) 459-3271
JACKSON - Hammond Hardware #277, 1800 Francis St., 49204, (517) 782-0704
KALAMAZOO - Consumer Repair, 3938 Westnedge, 49008, (616) 344-1200
LANSING - Rapid Appliance Service, Inc., 1454 E. Michigan Avenue, 48912, (517) 485-1320
MARLETTE - Thumb Appl & Tool Repair, 3441 Main Street, 48453, (517) 635-7848
MIDLAND - Knopics Do-It Center, 3128 Jefferson Ave., 48640, (517) 832-2774
NEW BUFFALO - Lawn Ranger "One Stop Shop" 19425 US Hwy 12, 49117, (616) 469-0667
PRUDENVILLE - Ford's Do-It Center, 841 W. Houghton Lake Drive, 48651, (517) 366-7622
ROYAL OAK - McNichols Electric Service, 4115 West 13 Mile Road, 48072, (248) 288-5135
SWARTZ CREEK - Gill-Roy's Hardware, 9061 Miller Road, 48473, (810) 635-2020
TRAVERSE CITY - De Weese Hardware Inc., 1029 Carver Street, 49686, (616) 947-7670

MINNESOTA

BLAINE - Barness #1, 8701 Central Ave. NE, 55434, (612) 780-77229
BRAINERD - Git A'Round, 4299 Hwy. 371 North, 56401, (218) 828-8088
DULUTH - All Brand Mr. Fixit, 16 West First Street, 55802, (218) 722-1499
ROCHESTER - Roberts Electronics, 611 6th Ave. NW, 55901, (507) 282-2140
ST. LOUIS PARK - Barness #3, 4631 Excelsior Blvd., 55416, (612) 926-0521
ST. PAUL - Barness #2, 1573 University Avenue, 55104, (651) 646-3109

MISSISSIPPI

HATTIESBURG - Champion Cycle & Fitness, 2625 Lincoln Road, 39402, (601) 264-8233
IUKA - W. H. Fairless Hardware Co. Inc., 117 Fulton Street, 38852, (601) 423-2233, (800) 797-9457
MERIDIAN - Broadmoor Home Center, 2420 Old North Hills Street, 39305, (601) 483-7373
RIDGELAND - Propeller Service, 291 Hwy. 51, 39157, (601) 856-3191
STARKVILLE - East Mississippi Lumber, 300 Russell Street, 39759, (601) 323-3554
TUPELO - Polariss Outdoor World, 1644C Eason Blvd., 38801, (601) 680-4733

MISSOURI

GLADSTONE - Mar-Beck Appliance Serv. Co. Inc., 6559 N. Oak Traffic Way, 64118, (816) 436-9191
INDEPENDENCE - Mar-Beck Appliance Service Co. Inc., 4476 South Noland Road, 64055, (816) 478-1889
KANSAS CITY - Mar-Beck Appliance Service Co. Inc., 303 W. 79th Street, 64114, (816) 523-6931
POPLAR BLUFF - Mills Iron & Supply, 1919 S. Westwood Blvd., 63901, (573) 785-2628
SPRINGFIELD - Mar-Beck Appliance Service Co. Inc., 2704 S. Glenstone Avenue, 65804, (417) 882-3070
ST. LOUIS - Authorized Appliance, Inc., 2355 Hampton Avenue, 63139, (314) 647-4250

MONTANA

BILLINGS - Radio Equipment Company, 1205 Monad Rd., 59101, (406) 256-9778, (800) 711-4024

NEBRASKA

GRAND ISLAND - Mundt's Small Appliance & Vacuum, 1822 W. Northfront Street, 68803, (308) 382-5084
LINCOLN - CB Small Appliance, 432 South 11th Street, 68508, (402) 475-2546
LINCOLN - Sperry TV, 3201 Pioneer Blvd./Suite 33, 68503, (402) 327-8111
LINCOLN - Sperry TV, 2013 Highway 2, 68502, (402) 464-9181
NORTH PLATTE - Sperry TV, Westfield Shopping Center, 69010, (308) 532-5200
OMAHA - Myers Electric Co., Inc., 1458 South 16th Street, 68108, (402) 342-7710

NEVADA

LAS VEGAS - Burney's Commercial Service, 4480 Aldebaran Avenue, 89103, (702) 736-0006
MINDEN - Valley Do-It Center, 1587 Highway 395, 89423, (702) 782-5111

NEW HAMPSHIRE

MARLBOROUGH - Electronics Aid Inc., 32 Roxbury Road, 03455, (603) 876-4161

NEW JERSEY

HAWTHORNE - Ter Kuile, Inc., 206 Diamond Bridge Avenue, 07506, (973) 423-1142
HIGHLAND PARK - Dash Electronics, 10 North Second Ave., 08904, (732) 247-2495
HOWELL - South Jersey TV Service, 4321 Route 9 North, 07731, (732) 363-5550, (800) 244-3094
MAPLEWOOD - Kiss Electrical Contractors Inc., 36 Newark Way, 07040, (973) 275-9400
OCEAN - South Jersey TV Service, 1719 Route 35, 07712, (732) 531-3565
SICKLERVILLE - Sicklerville Hardware, 540 Williamstown Road, 08081, (609) 728-3800
TOMS RIVER - South Jersey TV Service, 1171 Fischer Road, 08753, (732) 506-9400
TRENTON - Tattersall Inc. #5459, 309 N. Willow Street, 08618, (609) 393-4293

NEW MEXICO

ALBUQUERQUE - Appliance Service Center, 5505 Silver Avenue, SE, 87108, (505) 265-7774
CLOVIS - Burns Hardware Do-It Center, 1511 N. Prince, 88101, (505) 769-2528

NEW YORK

ALBANY - Lake Electronic Service, 1650 Central Avenue, 12205, (518) 869-8424, (800) 585-3777
BAYSHORE, L.I. - Turnpike Appliance of Suffolk, 1253 Sunrise Highway, 11706, (516) 665-8311
BINGHAMTON - Hardware Fare Do-It Center, 1139 Front Street, 13905, (607) 722-9202
BRONX - Home Appl. Vacuum World, 5902 Riverdale Avenue/Cor W 259th St., 10471, (718) 884-4600
COMMACK - Turnpike Appliance Service, 6181 Jericho Turnpike, 11725, (516) 499-3355
EAST AURORA - Sem-Fab of Western New York, 455 Olean Road, 14052, (716) 652-5228
EAST ROCHESTER - ABC Electronics Service Corp., 350 West Commercial St., 14445, (716) 248-3504
ELMIRA - Capabilities Inc., 1149 Sullivan Street, 14901, (607) 734-2006
HAMBURG - K-Technologies, Inc., 5424 Abel Road, 14075, (716) 649-5460
HUDSON - Sweeps Vacuum & Repair Center, 705 Warren Street, 12534, (518) 828-5457
MONTICELLO - Wayne's Small Engine & Equip. Repair, 79 St. John Street, 12701, (914) 796-1851
POUGHKEEPSIE - S & S Appliance Sales & Service, 390 Violet Avenue, 12601, (914) 452-6122
RICHMOND HILL - Lockdoctor Locksmiths In, 104-37 Atlantic Ave., 11418, (718) 441-6242
ROCHESTER - Benfante Appliance Service, 1286 Mt. Hope Avenue, 14620, (716) 473-8765

SEA CLIFF - Shabra Electronics, 400 Glen Cove Avenue, 11579, (516) 671-2218

STATEN ISLAND - Springstead Lumber, 4255 Amboy Road, 10308, (718) 984-0300

SYRACUSE - County Wide Appliance, 1001 N. State Street, 13208, (315) 479-5253, (800) 333-3243

TUCKAHOE - Authorized Appliance of Westchester, 26 Columbus Ave., 10707, (914) 961-8011

UTICA - Oneida Bicycle & Sports, 2107 Whitesboro St., 13502, (315) 724-6084

WARWICK - Wadeson Home Center 4397, 60 Forester Avenue, 10990, (914) 987-2255, (800) 982-2215

WEST HEMPSTEAD - Turnpike Appl. Svc., 86 Hempstead Turnpike, 11552, (516) 486-5700, (800) 628-3911

WILLIAMSVILLE - Hector's Hardware, 876 Maple Road, 14221, (716) 688-4488

YORKVILLE - Yorkville Battery, Inc., 126 Whitesboro Street, 13495, (315) 736-2307

NORTH CAROLINA

ASHEVILLE - Skyland Hardware #6423, 3179 Sweeten Creek Road, 28803, (828) 684-0308

CHARLOTTE - Auth. Appl. Service Center, 1020 Tuckaseegee Rd., 28208, (704) 377-4501, (800) 532-6127

CLINTON - Danny's Service Center, 119 Vance Street, 28328, (910) 592-3200

ELIZABETH CITY - Coastal Office Equipment, 501 East Church Street, 27909, (252) 335-2927

JACKSONVILLE - Discount Sales & Service, 468-B Western Blvd., 28546, (910) 455-6700

NORTH WILKESBORO - Appalachian Serv Center, 609 Elkin Hwy 268 East, 28659, (336) 667-5103

RALEIGH - Authorized Appliance Service Center, 800 North Person Street, 27604, (919) 834-3476

STATESVILLE - First Flight Bicycles, 216 S. Center St., 28677, (704) 878-9683

WILMINGTON - American Tool & Tractor, 102 Eastwood Road, 28403, (910) 392-5784

WINSTON-SALEM - Authorized Appliance Service Center, 904 South Marshall Street, 27117, (336) 725-5396

NORTH DAKOTA

FARGO - General Parts & Supply Co., 10 S. 18th Street, 58103, (701) 235-4161, (800) 279-9987

OHIO

AKRON - Advanced Appliance Service Company, 1604 Home Avenue, 44310, (330) 630-0058

AMHERST - Battery Power, 1911 Cooper Foster Park Road, 44001 (440) 960-2940

BROOKLYN HEIGHTS - Philips Consumer 729, 950 Keynote Circle, 44131, (216) 741-3334, (800) 331-7037

CANTON - Appliance Parts Co., 1267 Duebber Ave. S.W., 44706, (330) 453-8077

CINCINNATI - H & S Service, 458 Old State Route 74, 45244, (513) 528-0808

DAYTON - Layer Electric, 603 South Ludlow, 45402, (937) 224-9608

LIMA - Crouse Lumber Do-It Center, 333 E. Market Street, 45801, (419) 229-9070, (800) 826-9663

MENTOR - Lake Erie Lawn & Garden, 7833 Munson Rd., 44060, (440) 257-9000

NEW BOSTON - True Value Toy Town, 4207 Gallia Street, 45662, (740) 456-5704

NEW CARLISLE - Ballweg Hardware Inc., 3300 South Dayton-Lakeview, 45344, (937) 849-1306, (800) 786-1308

PARMA - Majors Appliance, 5785 Ridge Road, 44129, (440) 884-7200

STRYKER - Short's Hardware #3545, 115 N. Depot Street, Po Box 60, 43557, (419) 682-4231

TOLEDO - Broadway Sales, 1621 Broadway, 43609, (419) 241-9731, (800) 436-5415

WELLINGTON - Travelite Inc. 100 Industrial Avenue, 44090, (440) 647-3670

YOUNGSTOWN - O'Connor's, 3224 Market Street, 44507, (330) 782-4705

Authorized Service Centers

OKLAHOMA

MC ALESTER - Quality Upholstery, 803 E. Gene Stipe Blvd., 74501, (918) 423-4747
OKLAHOMA CITY - Brand Appliance Repair, Co., 538 N. Pennsylvania Avenue, 73107, (405) 235-0583
OKLAHOMA CITY - Appliance Services By CK, 101 East Madison, 73105, (405) 5258862
OKLAHOMA CITY - Oklahoma Service Center, 1940 North May Avenue, 73107, (405) 946-9841
TULSA - H.L. Moss, Inc., 1714 E. 15th Street, 74104, (918) 744-1305, (800) 248-5948

OREGON

EUGENE - Oldfield's, 1465 W 7th, 97402, (541) 485-6000
PORTLAND - Appliance Repair Central, 3203 N. E. Sandy Blvd., 97232, (503) 234-7339, (800) 588-7339
SEASIDE - Distinctive Carpet Care, 407 South Holladay, 97138, (503) 738-3007

PENNSYLVANIA

ALTOONA - Frye's Sweep/Sew Center Inc., 1400 Valley View Blvd., 16602, (814) 943-5001, (800) 640-1308
BUTLER - Battery Warehouse, 469 Cunningham Street, 16001, (724) 287-3191
COLLINGDALE - Kenney Electric, 920 Mac Dade Boulevard, 19023, (610) 534-7373
ERIE - Parke T. Morrow, Inc., 627 W 26th Street, 16508, (814) 455-7566
HARRISBURG - C.A. Juillard Inc., 2301 North Seventh Street, 17110, (717) 233-3488, (800) 633-3488
JOHNSTOWN - Cambria True Value Hardware, West Hills Square, 15905, (814) 255-4752
KINGSTON - Vac-Way Appliance & Service, 595 Market Street, 18704, (717) 288-4508
LANCASTER - Colonial Electronics, 241 West Roseville Rd. Suite 2, 17601, (717) 560-2222
MC DONALD - Small Engine World, 130 E. O'Hara Street, 15057, (724) 926-3330
MOSCOW - Vac-Way Appliance & Service Co., 101 Van Brunt Street, 18444, (717) 842-4668
ORANGEVILLE - Hess Do-It Center & Market, Route 487, Box 4 M, 17859, (717) 683-5162
PHILADELPHIA - Appliance Care & Service Co., 6407 Rising Sun Ave., 19111, (215) 725-3112
PITTSBURGH - Ferry Electric Service Co., 140 Clairton Blvd., 15236, (412) 653-6004
PITTSBURGH - Ferry Electric Service Co., 7498 McKnight Road, 15237, (412) 364-3403
READING - Electric Repair Co., 502-504 North 9th Street, 19604, (610) 376-5444, (800) 422-8171
SCRANTON - Vac-Way Appliance and Service Co., 601 Cedar Avenue, 18505, (717) 343-1121
SHAMOKIN DAM - Willard Battery Outlet, 138 S. Old Trail, 17876, (717) 743-5383
TROY - Hoover Hardware #3958, 9 Canton Street, 16947, (717) 297-3445, (800) 251-2156
WILKES-BARRE - Walter Hardware Do-It Center, 57 N. Welles Street, 18702, (717) 823-1406
YORK - Parcel Plus, 2549 E. Market Street, 17402, (717) 757-1875

PUERTO RICO

HATILLO - Tropical Parts Service, Carr 130km 8.5 B0. Pajui 00659, (809) 898-6474
MAYAGUEZ - Cardona Appliance Service, 8 San Vicente Street, 00680, (809) 832-8366
MAYAGUEZ - AAA Melendez Rental & Repair, Calle Post #319 Sur, 00680, (787) 832-5225
PONCE - Ferreteria Vivian, 775 Calle Caoba, 00731, (787) 840-0677
PUERTO NUEVO - Buckeye Service, 1013 Jesus T. Pinero Avenue, 00920, (787) 782-6175

RHODE ISLAND

SOUTH CAROLINA

AIKEN - Dunagan's Sewing & Vac, 1536 Whiskey Road, 29803, (803) 649-6777
CHARLESTON HEIGHTS - Dorchester Electric Service, 3575 Dorchester Avenue, 29405, (843) 747-5221
COLUMBIA - Authorized Appliance Service Center, 1811 Taylor Street, 29202, (803) 254-8414

DARLINGTON - Hobbies and More, 1570 South Main Street, 29532, (843) 393-0355
EASLEY - Trails End Bicycles, 110 Pendleton Street, 29640, (864) 306-1684
FORT MILL - Service Engines Inc., 3356 SC Hwy 51 29715, (803) 548-1778, (800) 845-1191
GREENWOOD - Bikes & Boards & Mopeds, 203A Montague Avenue, 29646, (864) 229-2453
SENECA - Seneca Micronics #110 East North First St., 29678, (864) 882-6580
SPARTANBURG - Boiling Springs Hardware, 3124 Boiling Springs Rd, 29303, (864) 578-1852

SOUTH DAKOTA

WINNER - Nelwon Electronics Inc., 422 West 2nd Street, 57580, (605) 842-1611

TENNESSEE

DANDRIDGE - Save More Sales, Highway 25-70 Bldg. 259, 37725, (423) 397-1255
CHATTANOOGA - Light Electric Company, 739 East 11th Street, 37403, (423) 267-9224
KNOXVILLE - Appliance & Electric Service, 5309-A Kingston Pike, 37919, (423) 588-5395, (800) 585-5395
KNOXVILLE - Authorized Appliance Service Center, 1206 North Central Street, 37917, (423) 524-3376
MEMPHIS - Camp Electric, 647 Madison Avenue, 38103, (901) 527-7543, (800) 238-7345
NASHVILLE - Webb's Appliance Service Center, 1519 Church Street, 37203, (615) 329-4079, (800) 899-4079

TEXAS

ABILENE - Mike's Bikes, 3317 South 1st Street, 79602, (915) 672-1853
AMARILLO - Reid's Appliance Service, Inc., 906 Georgia, 79102, (806) 373-8812
AUSTIN - Harrell Supply and Service, Inc., 5435 Burnet Road, 78756, (512) 451-6464, (800) 332-7250
AUSTIN - Harrell Supply and Service, Inc., 1409 West Oltorf, 78704, (512) 442-5966
CORPUS CHRISTI - Brand Appliance & Microwave, 2751 South Staples, 78404, (512) 854-1851
DALLAS - All Type Sales and Service, 2835 Irving Blvd., 75207, (214) 638-1170, (800) 717-1170
DALLAS - Pearsol Appliance Co., 3127 Main Street, 75226, (214) 939-0930, (800) 527-7385
FT. WORTH - Ft. Worth Shaver and Appliance, 1012 West 7th Street, 76102, (817) 335-9970
HOUSTON - Brand Appliance Service Center, 1970 FM 1960 W, 77090, (281) 537-7795
HOUSTON - Brand Appliance Service Center, 5727 Richmond Avenue, 77057, (713) 782-8910
KILLEEN - Master Tech Repairs, 501 W. Elms Rd. Suite #10, 76542, (254) 618-5480
LAREDO - Rubio Electric Co., 1719 San Bernardo, 78040, (956) 722-3908
LONGVIEW - Foster's, 3315 Gilmer Road, 75604, (903) 759-3939
LUBBOCK - Minter's, 4409 50th Street, 79414, (806) 799-3170
LUFKIN - STS Audio and Video, 1505 South First Street, 75901, (409) 639-4529
MC ALLEN - All-In-One Repair Shop, 2313 Lark Avenue, 78504, (956) 682-8858
MIDLAND - Midland Tool Specialty, 918 South Main, 79701, (915) 682-4647, (800) 499-0755
PASADENA - Larry's TV Service Inc., 3520 Fairmont Parkway, 77504, (281) 998-0122, (800) 244-0281
ROMA - True Value Hardware, 1004 E. Highway 83, 78584, (956) 849-1322
SAN ANTONIO - Brand Appliance Sales & Service, 6435 San Pedro Avenue, 78216, (210) 344-8577
SEYMOUR - Western Auto #5341, 211 N. Main Street, 76380, (940) 888-3980
TEMPLE - Master Tech Repairs, 2819 West Avenue North, 76504, (254) 773-8991
VICTORIA - Tom's Video Service, 211 East Anaqua, 77901, (512) 576-0664, (800) 433-0664
WICHITA FALLS - Burke's Appliance Service, 2410 10th Street, 76309, (817) 723-6211

UTAH

OREM - The Mending Shed, 1735 South State Street, 84058, (801) 225-8012, (800) 339-9297
SALT LAKE CITY - Appliance Service Center, Inc., 1475 South Main, 84115, (801) 467-6361

VERMONT

RUTLAND - Appliance Service Center Ltd., 152 Woodstock Avenue, 05701, (802) 773-8917
RUTLAND - Foley's Equipment Care Center, 7 Pine Street, 05702, (802) 773-8917

VIRGINIA

HARRISONBURG - J.L. Maintenance & Repair, 1420 Virginia Avenue, 22802, (540) 434-4040, (800) 2960-9844
LUISA - Lakeside Electric Contractors, 4344 Davis Hwy Ste 2, 23093, (540) 967-3000
NORFOLK - Commonwealth Electric Shaver, 6614 Virginia Beach Blvd., 23502, (757) 461-4475
RICHMOND - Wells, Inc., 3502 Jefferson Davis Hwy., 23234, (804) 233-6726
ROANOKE - Commonwealth Electric Shaver, 5524 Williamson Road NW, 24012, (540) 366-6038
SOUTH BOSTON - South Boston True Value, 307 Broad Street, 24592, (804) 572-6666
VIENNA - Appliance Fix-It, 8455 Tyco Road, 22182, (703) 893-1234
WINCHESTER - Battery Mart of Winchester, 1 Battery Dr., 22601, (540) 665-0065

WASHINGTON

BELLEVUE - Action Small Appliance, 1500 145th Place SE, 98007, (425) 643-9806, (888) 643-9806
FEDERAL WAY - Martha Lake Electronics, 2118 South 314th Street, 98003, (253) 946-9033
LYNNWOOD - Martha Lake Electronics, 16521 13th Ave. W., 98037, (425) 743-4178
RENTON - Martha Lake Electronics, 212 South West 43rd, 98055, (425) 251-5417
SEATTLE - Action Small Appliance, 2125-2nd Ave., 98121, (206) 448-2020
SPOKANE - AALWACO Appliance Service, E. 3403 Euclid Avenue, 99217, (509) 487-1089
TACOMA - Martha Lake Electronics, 2913 South 38th Street, 98409, (253) 475-0668
WENATCHEE - Motor Mart, 150 Marr, 98801, (509) 663-4237, (800) 696-9422

WEST VIRGINIA

BECKLEY - Jerry's Detectors, Vacuum & Appl., 411 Second Street, 25801, (304) 253-3521
CHARLESTON - Sneed's Vacuum & Sewing Center, 2614 7th Avenue, 25312, (304) 744-3670, (800) 245-8048
HARRISVILLE - Western Auto Assoc. Store, 1107 E. Main St., 26362, (304) 643-2226
HUNTINGTON - Mike's Appliance and Service, 212 20th Street, 25703, (304) 522-0737
MARTINSBURG - Battery Mart, 1161-3 Winchester Avenue, 25401, (304) 267-7033, (800) 464-7918
WHEELING - Fast Service Center, 1058 Main Street, 26003, (304) 232-5561 (800) 874-4090

WISCONSIN

GREEN BAY - Kastle Carts, 3990 Evergreen Ave., 54313, (920) 465-6121
LACROSSE - Paul's Shaver Service, 1224 Caledonia Street, 54603, (608) 782-6291
MARINETTE - Delta Do-It Center, W 1536 Highway 41, 54143, (715) 732-1768
MILWAUKEE - Brand Appliance Repair, Inc., 3707 North 92nd Street, 53222, (414) 461-0440
MILWAUKEE - Brand Appliance Repair, Inc., 6000 W. Oklahoma Ave., 53219, (414) 541-4340
MONONA - Kiefers Shaver and Appliance, 4511 Monona Drive, 53716, (608) 221-3322



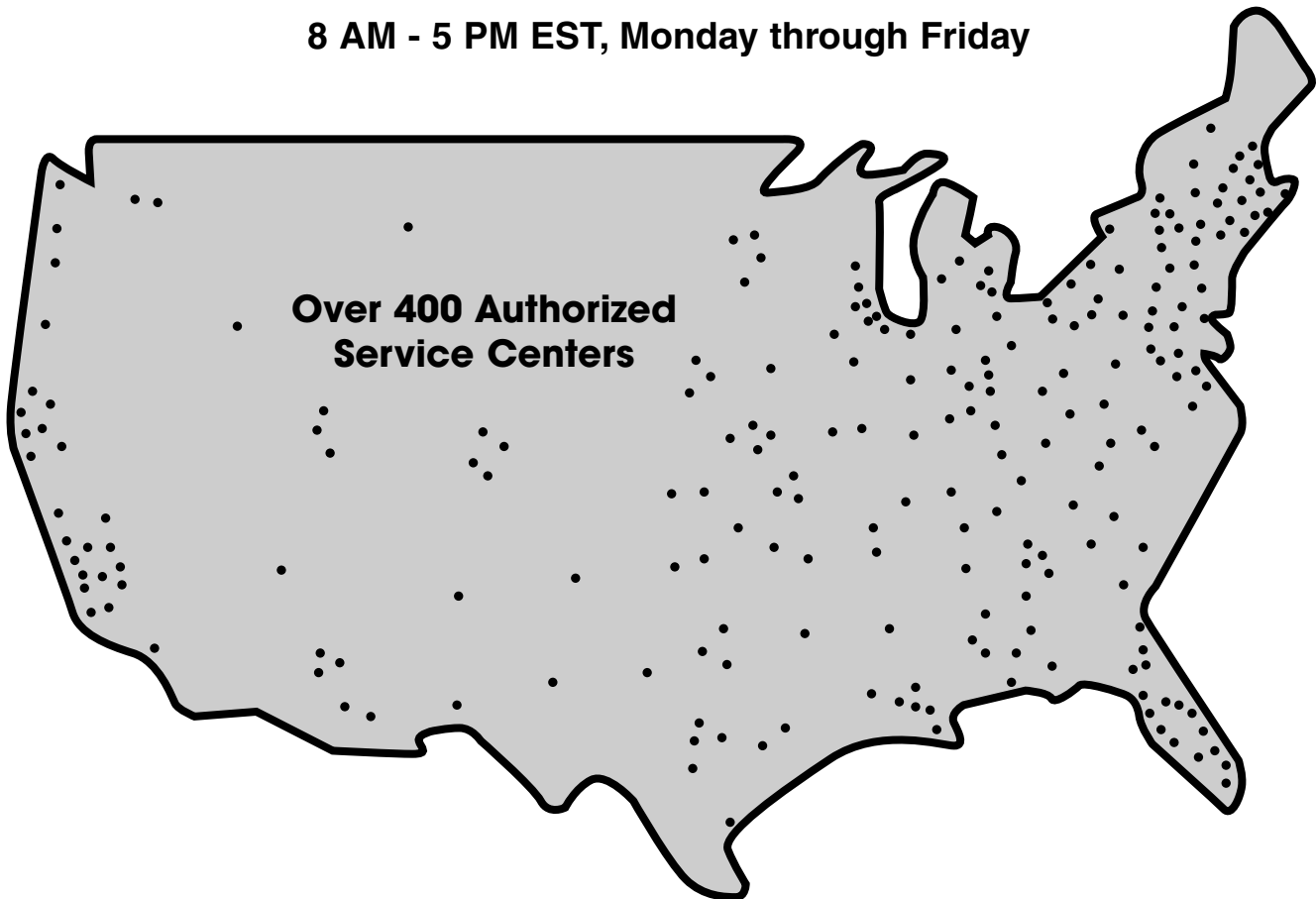
Do Not Return Your Vehicle to the Store

If you are missing parts or need assistance, please call us toll-free:

Power Wheels Consumer Affairs

1-800-348-0751

8 AM - 5 PM EST, Monday through Friday



Or contact your local Power Wheels® Authorized Service Center.

For the location nearest you, refer to the
Authorized Service Center list in this manual.

Fisher-Price, Power Wheels, Power Wheels by Fisher-Price and BARBIE are U.S. trademarks of Mattel, Inc.
©1999 Mattel, Inc. All Rights Reserved.

Fisher-Price, Inc., a subsidiary of Mattel, Inc., East Aurora, New York 14052, U.S.A.