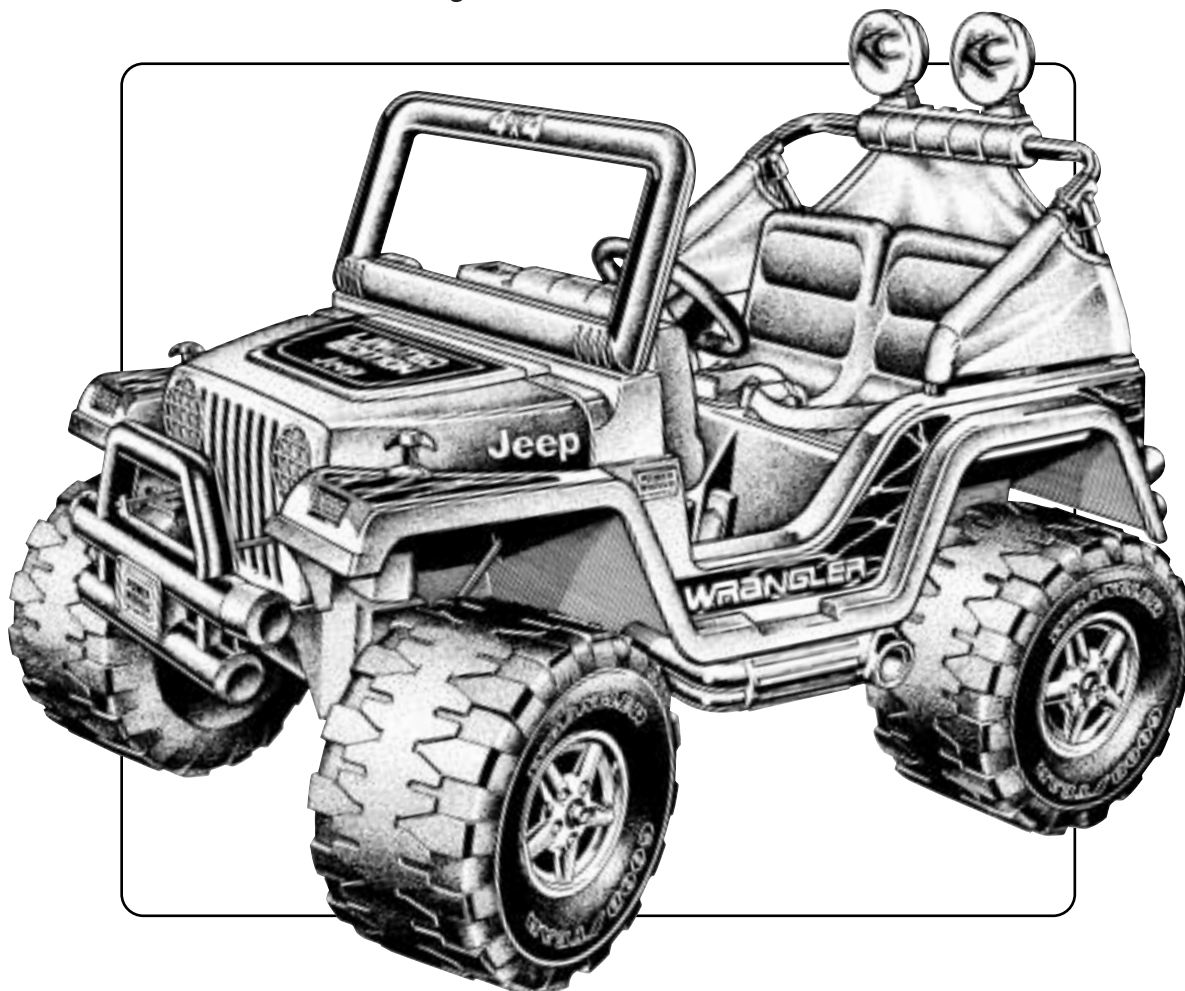


**POWER
WHEELS**
by Fisher-Price®



Product features and decoration may vary from the picture above.

JEEP and the Jeep grille design are registered trademarks of DaimlerChrysler Corporation and are used under license. ©DaimlerChrysler Corporation
Goodyear (and winged foot design) and Wrangler (for tires) are trademarks of The Goodyear Tire & Rubber Company, used with permission.
Fisher-Price, Power Wheels and Power Wheels by Fisher-Price are U.S. trademarks of Mattel, Inc.

Limited Edition
Jeep® Wrangler

Owner's Manual with Assembly Instructions

Please read this manual and save it with your original sales receipt.

For Model 75598

Tools needed for assembly: Cap Nut Assembly Tool (included), Phillips Screwdriver, Hammer, and Safety Scissors (not included). Use only with Power Wheels® 12 Volt Lead-acid Rechargeable Battery and Power Wheels® 12 Volt Charger with Type "12V" Connector (included).
Requires three size "AA" (LR6) alkaline batteries (not included) for sound box.

Table of Contents

A	Important Information	.2
B	Warnings and Cautions	.3
C	Parts	.4
D	Parts Diagram	.8
E	Battery Charging	.10
F	Assembly	.11
G	Label Decoration	.22
H	Battery Installation	.23
I	Battery Care and Disposal	.24
J	Rules for Safe Driving	.25
K	How to Operate Your Vehicle	.26
L	Caring for Your Vehicle	.27
M	FCC Statement	.27
N	Problems and Solutions Guide	.28
O	Limited Warranty	.32
P	Authorized Service Centers	.32

A

Important Information

- Your new vehicle requires adult assembly. Please set aside at least 45 minutes for assembly.
- You must charge your battery for 18 - 30 hours **before you use your vehicle for the first time.** We recommend that you start charging your battery before beginning assembly. Please see Battery Charging beginning on page 10 for detailed instructions.
- Read this manual carefully for important safety information and operating instructions before using your vehicle. Keep these instructions for future reference as they contain important information.
- This vehicle is designed for use on: grass, asphalt or other hard surfaces; on generally level terrain; by children 3 years of age and older.
- Make sure children know and follow these rules for safe driving and riding:
 - always sit in the seat.
 - always wear shoes.
 - only two (2) riders at a time.
- This vehicle has adjustable play seat belts. Please note that the adjustable seat belts are designed to be a play feature only and do not function as protective safety restraints.
- Use this vehicle **ONLY** outdoors. Most interior flooring can be damaged by riding this vehicle indoors. Fisher-Price® will not be responsible for damage to the floor if the vehicle is used indoors.
- To prevent damaging the motors and gears, teach your child to stop the vehicle before switching between forward and reverse. Do not tow anything behind the vehicle or overload it. Do not exceed the maximum weight capacity of 130 lb. (60 kg).
- For safety reasons, your vehicle has been pre-set so that it will only operate at low speed. **You must remove the high speed lock-out screw to allow operation of the vehicle at high speed.** Please see page 27 for detailed instructions.
- If you have any questions about your Power Wheels® vehicle, please call our toll-free service lines at **1-800-348-0751** from 8 AM to 6 PM (EST) Monday through Friday. Trained customer service representatives are available to take your call in English or French. Habla Español? Si usted tiene alguna pregunta ó necesita asistencia llame gratis **1-800-348-0755** para los Estados Unidos. Tenemos representantes que hablan español para atender su llamada.
- For your convenience, Power Wheels® maintains an Authorized Service Center Network with more than 400 authorized service centers nationwide. Our authorized service centers will repair or replace parts under warranty at no extra charge, and can perform non-warranty repairs for a minimal charge. Please see the Authorized Service Center list beginning on page 32 to find the authorized service center nearest you, or call **1-800-348-0751**.
- Please complete and return the enclosed Registration Card today, or call **1-800-348-0751** to register your vehicle by phone.

B

Warnings and Cautions

ELECTRICAL HAZARD

WARNING

- Battery can fall out and injure a child if vehicle tips over. Always use battery clamp.
- **PREVENT FIRE**
 - Never modify the electrical system. Alterations could cause a fire resulting in serious injury and could also ruin the electrical system.
 - Use of the wrong type battery or charger could cause a fire or explosion resulting in serious injury.
 - Use of Power Wheels® components in products other than Power Wheels® vehicles could cause overheating, fire or explosion.
- The battery must be handled by adults only. The battery is heavy and contains sulfuric acid (electrolyte). Dropping the battery could result in serious injury.
- Never allow children to charge the battery. Battery charging must be done by adults only. A child could be injured by the electricity involved in charging the battery.
- Read the safety instructions on the battery.
- Examine the battery, charger and their connectors for excessive wear or damage each time you charge the battery. If damage or excessive wear is detected, do not use the charger or the battery until you have replaced the worn or damaged part.
- **HOT** motors. Handle carefully.

RIDING HAZARD

WARNING

- **Prevent Injuries and Deaths**
 - Direct Adult Supervision Required
 - Keep Children Within Safe Riding Areas.
These areas must be:
 - away from swimming pools and other bodies of water to prevent drownings
 - generally level to prevent tipovers
 - away from steps, driveways, cars, roads and alleys.

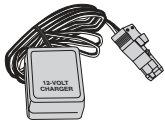
CAUTION

- In the unassembled state, this package contains small parts. Adult assembly is required.
- Use the charger in dry locations only.

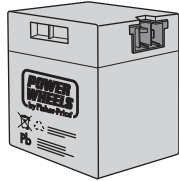
C

Parts

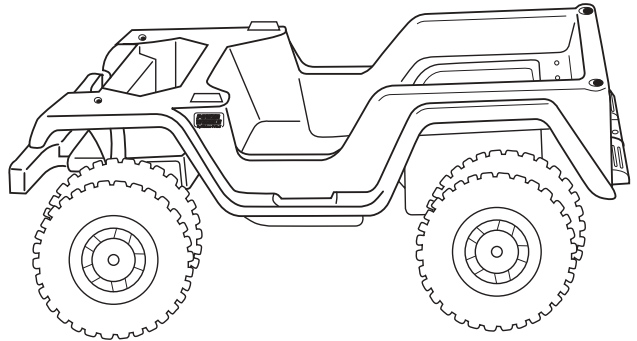
- If you experience a problem with this product, or are missing a part, please call us at **1-800-348-0751**, rather than return this product to the store.
- Please identify all parts before assembly and save all packaging material until assembly is complete to ensure that no parts are discarded.
- Metal parts have been coated with a lubricant to protect them during shipment. Wipe all metal parts with a paper towel to remove any excess lubricant.



12 Volt Charger



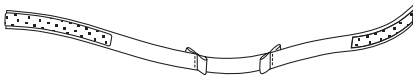
12 Volt Battery



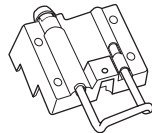
Vehicle Body



Short Seat Belt Strap - 2



Long Seat Belt Strap



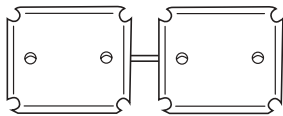
Battery Clamp Unit



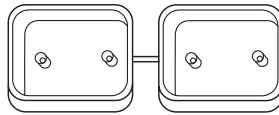
Gas Cap



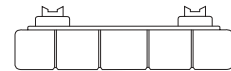
Light Cover - 2



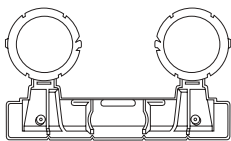
Taillight Lens Set



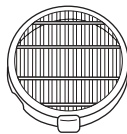
Taillight Housing Set



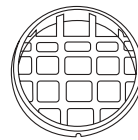
KC™ Light Rack, Front



KC™ Light Rack, Rear



Headlight Lens - 2

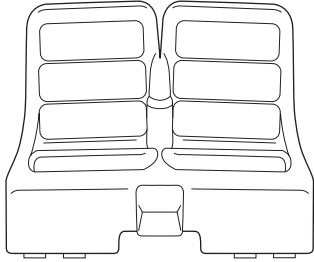


Lens Guard - 2

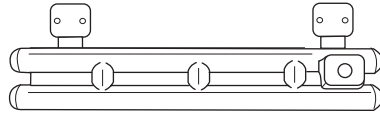


Microphone

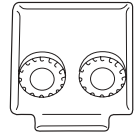
Parts



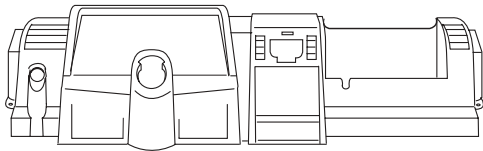
Seat



Rear Bumper



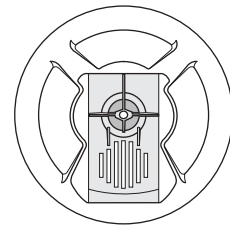
Knob Plate



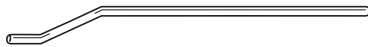
Dash



Cap Nut Assembly Tool



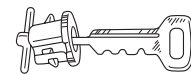
Steering Wheel



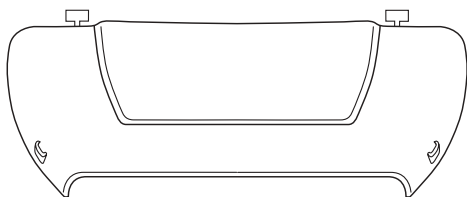
Steering Column



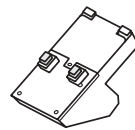
Dash Knob – 2



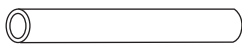
Key Assembly



Hood



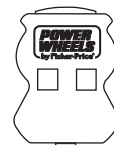
Sound Box



Brush Guard Spacer Tube – 2

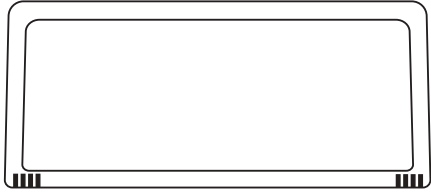


Hood Latch – 2

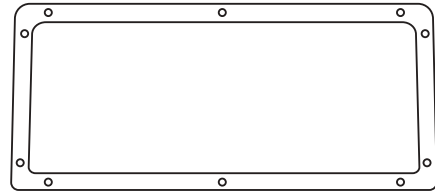


Steering Wheel Cover

Parts



Windshield Frame - Front



Windshield Frame - Back



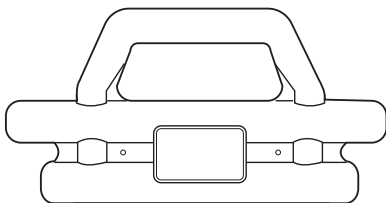
Sport Bar



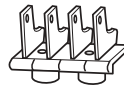
Sport Bar Support - 2



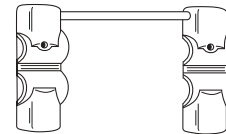
Windshield Hinge Pin - 2



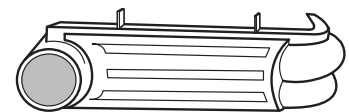
Brush Guard



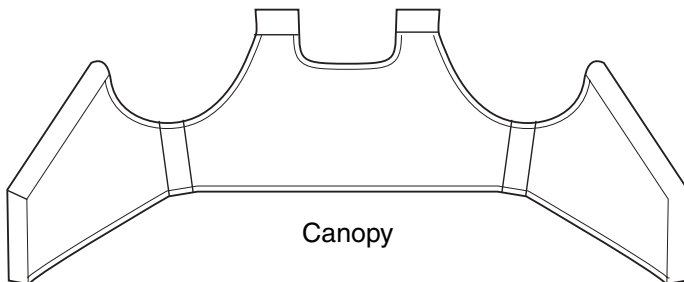
Windshield Bracket - 2



Sport Bar Bracket Set



Right Sidepipe



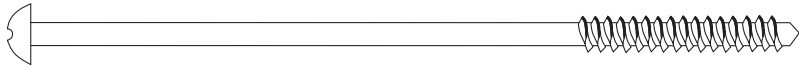
Canopy



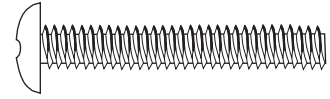
Left Sidepipe

Not Shown: Label Sheet - 2

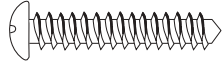
Parts



#8 x 4" Screw - 2



1 1/2" x 1/4" Machine Screw - 2



#10 x 1" Screw - 7



#8 x 3/4" Screw - 6



#10 x 1/2" Screw - 2



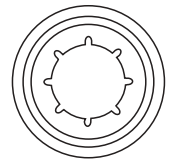
#8 x 1" Screw - 11



#6 x 1 1/2" Screw - 4



#8 x 1 1/4" Screw - 10



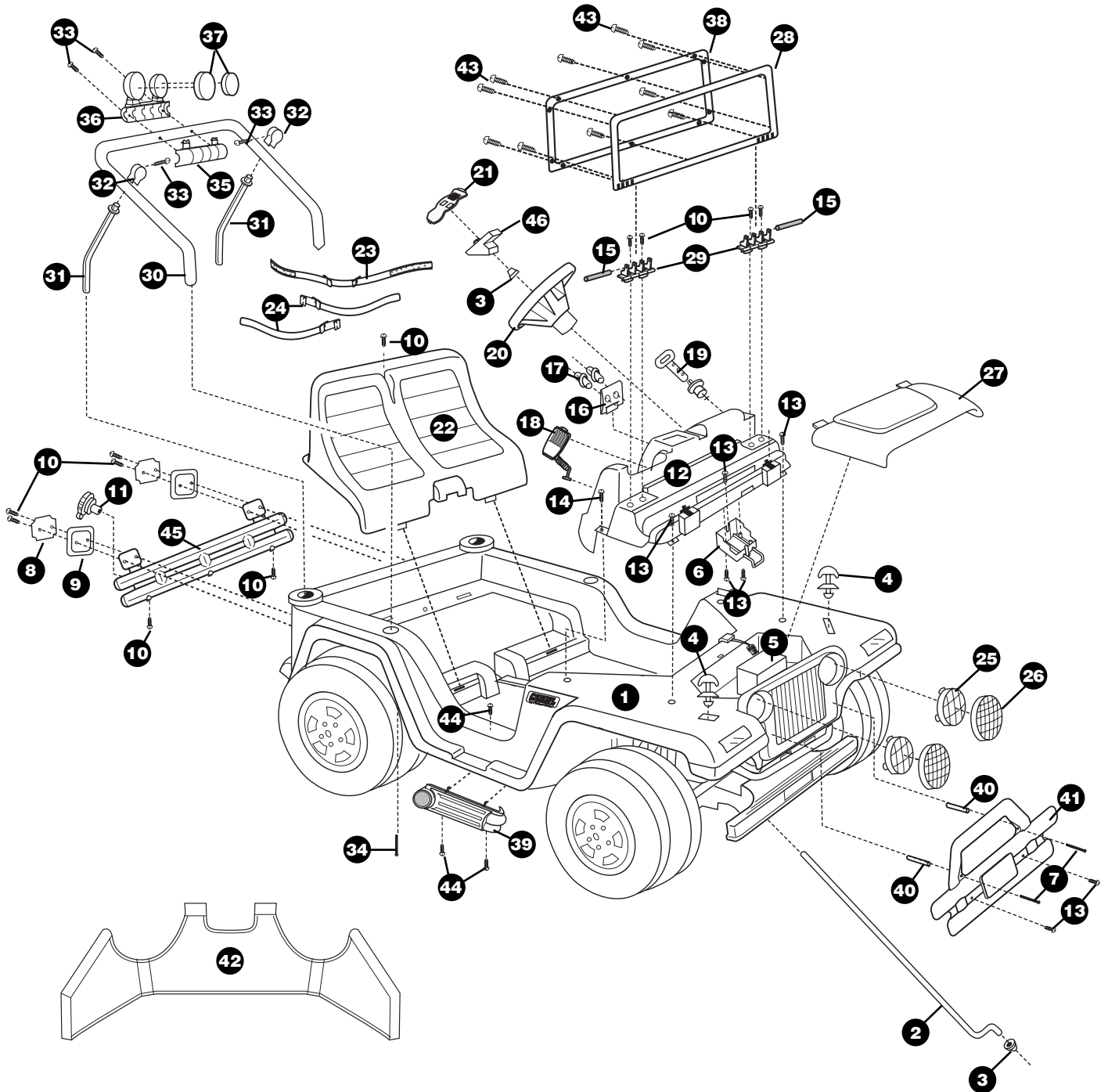
.354 Cap Nut - 2*

All Shown Actual Size

*For your convenience, an extra .354 cap nut is included.

D

Parts Diagram



Note: Some parts shown are assembled on both sides of the vehicle.

Parts Diagram

No.	Part	Quantity	No.	Part	Quantity
1	Vehicle Body	1	28	Windshield Frame, Front	1
2	Steering Column	1	29	Windshield Bracket	2
3	.354 Cap Nut	2	30	Sport Bar	1
4	Hood Latch	2	31	Sport Bar Support	2
5	12 Volt Battery	1	32	Sport Bar Bracket	2
6	Battery Clamp Unit	1	33	#6 x 1½" Screw	4
7	#8 x 4" Screw	2	34	1½" x ¼" Machine Screw	2
8	Taillight Lens	2	35	KC™ Light Rack, Front	1
9	Taillight Housing	2	36	KC™ Light Rack, Rear	1
10	#8 x 1" Screw	11	37	Light Cover	2
11	Gas Cap	1	38	Windshield Frame, Back	1
12	Dash	1	39	Right Side Pipe	1
13	#10 x 1" Screw	7	40	Brush Guard Spacer Tube	2
14	#10 x ½" Screw	2	41	Brush Guard	1
15	Windshield Hinge Pin	2	42	Canopy	1
16	Knob Plate	1	43	#8 x 1¼" Screw	10
17	Dash Knob	2	44	#8 x ¾" Screw	6
18	Microphone	1	45	Rear Bumper	1
19	Key Assembly	1	46	Sound Box	1
20	Steering Wheel	1			
21	Steering Wheel Cover	1			
22	Seat	1			
23	Long Seat Belt Strap	1			
24	Short Seat Belt Strap	2			
25	Headlight Lens	2			
26	Lens Guard	2			
27	Hood	1			

Not Shown: Label Sheet - 2
Cap Nut Assembly Tool
12 Volt Charger

ELECTRICAL HAZARD **WARNING**

- Battery can fall out and injure a child if vehicle tips over. Always use battery clamp.
- **PREVENT FIRE**
 - Never modify the electrical system. Alterations could cause a fire resulting in serious injury and could also ruin the electrical system.
 - Use of the wrong type battery or charger could cause a fire or explosion resulting in serious injury.
 - Use of Power Wheels® components in products other than Power Wheels® vehicles could cause overheating, fire or explosion.
- The battery must be handled by adults only. The battery is heavy and contains sulfuric acid (electrolyte). Dropping the battery could result in serious injury.
- Never allow children to charge the battery. Battery charging must be done by adults only. A child could be injured by the electricity involved in charging the battery.
- Read the safety instructions on the battery.
- Examine the battery, charger and their connectors for excessive wear or damage each time you charge the battery. If damage or excessive wear is detected, do not use the charger or the battery until you have replaced the worn or damaged part.

 **CAUTION**

Use the charger in dry locations only.

About Thermal Fuses

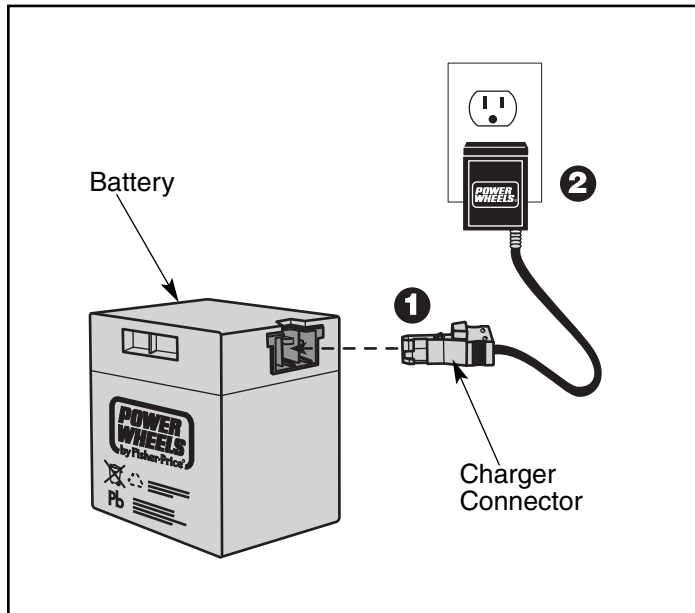
Your Power Wheels® 12 volt battery is equipped with a built-in thermal fuse. The thermal fuse is a self-resetting safety device which automatically “trips” and shuts down operation of the vehicle if the vehicle is overloaded or the driving conditions too severe. Once a fuse has “tripped”, it will automatically reset itself after approximately 25 seconds and allow the vehicle to resume normal operations. To avoid repeated automatic shutdowns, do not overload the vehicle by exceeding the 130 lb (60 kg) maximum weight capacity or by towing anything behind the vehicle. Avoid severe driving conditions, such as driving up very steep slopes or running into fixed objects, which can cause the wheels to stop spinning while power is still being supplied to the motors. Make sure your child stops the vehicle before switching speeds or direction.

If a thermal fuse in a battery continually trips under normal driving conditions, please contact your local Power Wheels® Authorized Service Center. For the location of the Authorized Service Center nearest to you, see page 32.

Important Notes

- **Your new battery must be charged for at least 18 hours before you use it in your vehicle for the first time.**
- We recommend that you start charging your battery before beginning assembly of your new vehicle.
- You do not need to remove the battery from your vehicle to recharge it.
- The battery must be upright while charging.
- The charger is not a toy.
- Do not short circuit the battery.
- Before charging the battery, examine the battery case for cracks and other damage which may cause sulfuric acid (electrolyte) to leak during the charging process. If damage is detected, do not charge the battery or use it in your vehicle. Battery acid is very corrosive and can cause severe damage to surfaces it contacts.
- Do not charge the battery on a surface (such as kitchen counter tops) which could be damaged by the acid contained inside the battery. Take precautions to protect the surface on which you charge your battery.
- Use only a Power Wheels® 12 volt charger with type “12V” connector (120 VAC 60 Hz 28W with an output of 12 VDC 1200mA) to charge your Power Wheels® rechargeable 12 volt battery.
- If your battery is old and will not accept a charge, do not leave it in the vehicle. Always remove a dead battery from the vehicle.

Battery Charging



- Plug the charger connector into the battery ①.
- Plug the charger into a standard 120 volt wall outlet ②.

Note: If power flow to the wall outlet is controlled by a switch, make sure the switch is "ON".

- Before first-time use, charge the battery for **at least 18 hours**. Never charge the battery longer than 30 hours.
- Recharge the battery for at least 14 hours after each use of your vehicle. Do not charge the battery longer than 30 hours.
- Once the battery is charged, pull firmly on the charger connector to disconnect it from the battery. Unplug the charger from the wall outlet. The battery is now ready to be installed in your vehicle. Please see the Battery Installation section on page 23 for detailed instructions on installing your battery. If your battery is already installed in your vehicle, simply re-connect the motor harness connector to the battery and lower and fasten the hood.

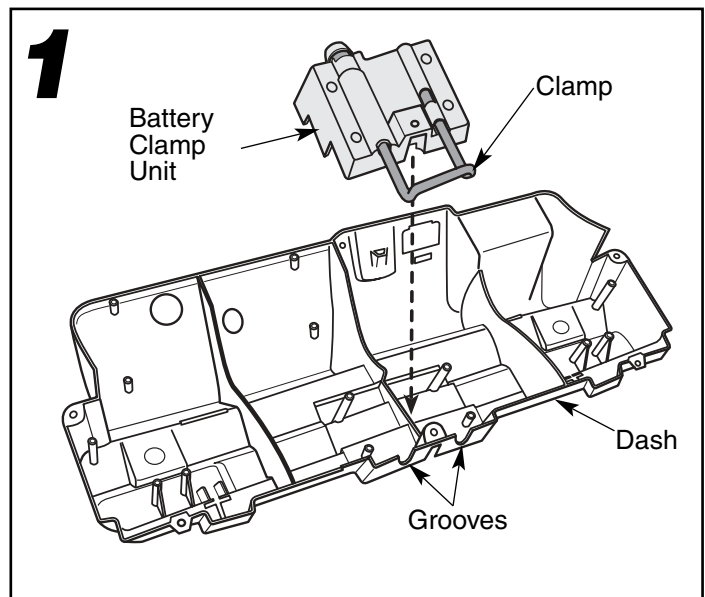
F

Assembly

⚠ WARNING

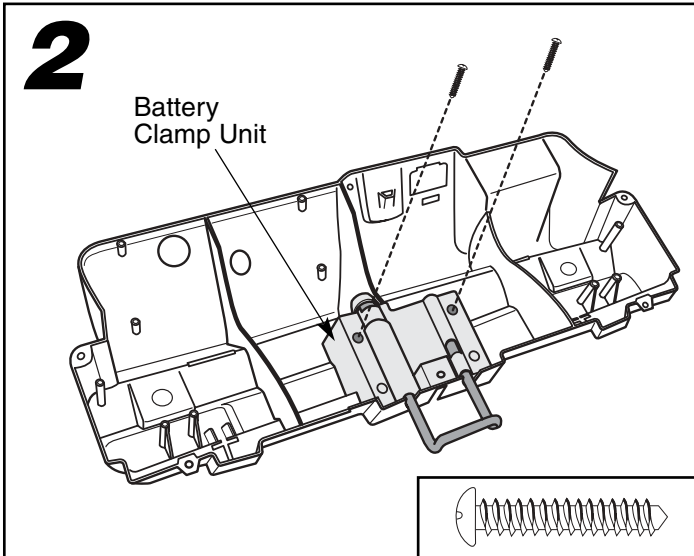
Children can be harmed by small parts, sharp edges and sharp points in the vehicle's unassembled state, or by electrical items. Care should be taken in unpacking and assembly of the vehicle. Children should not handle parts, including the battery, or help in assembly of the vehicle.

IMPORTANT! Assemble the battery clamp unit to the dash of your vehicle before beginning assembly of your vehicle. The battery clamp unit must be assembled to the dash before assembling the dash to the vehicle body.

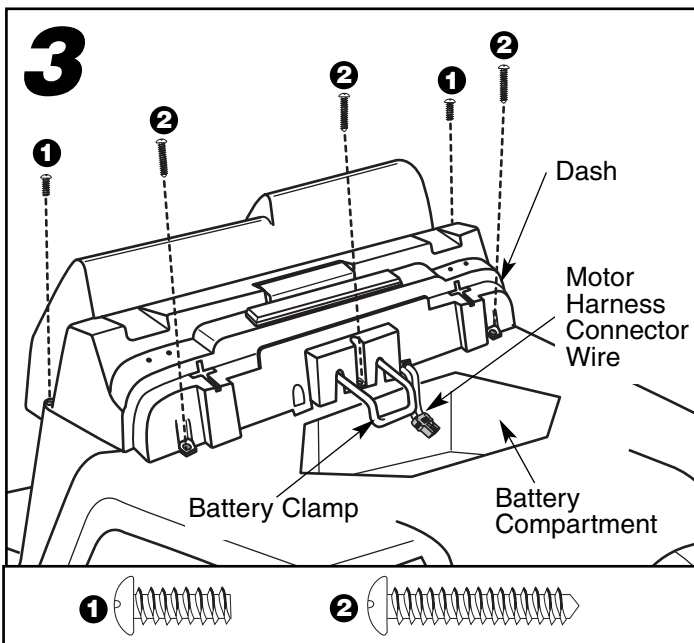


- Position the dash upside down.
- Fit the battery clamp unit into the underside of the dash so that the clamp fits into the grooves in the dash. Make sure the battery clamp unit is flush against the surface of the dash.

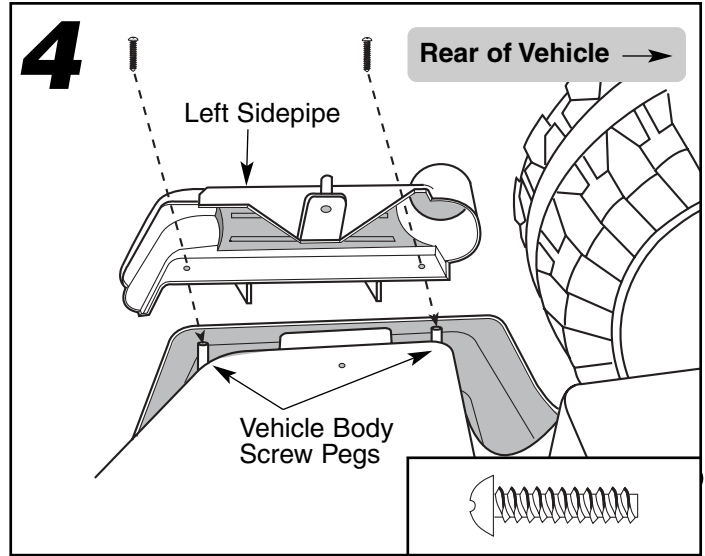
Assembly



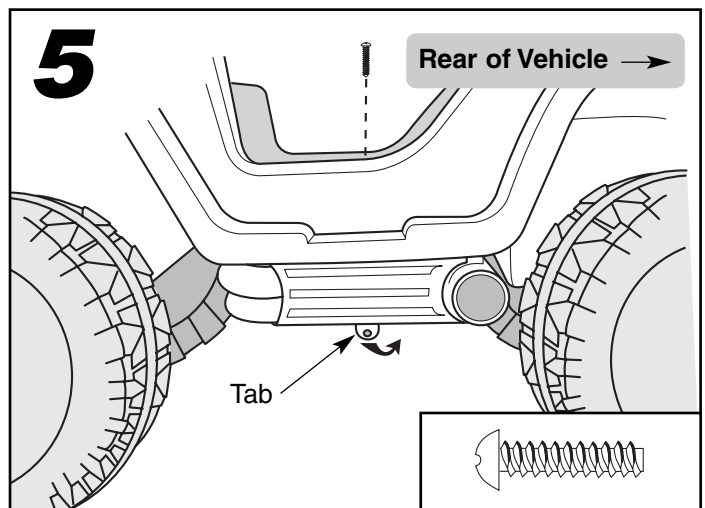
- Insert two #10 x 1" screws through the holes in the battery clamp unit and into the pegs in the dash.
- Tighten the screws with a Phillips screwdriver. Do not over-tighten.



- Position the dash on the vehicle body.
- Make sure the motor harness connector wire is through the groove in the dash.
- Insert a #10 x 1/2" screw through each of the two corner dash tabs nearest to the passenger compartment ①.
- Insert a #10 x 1" screw through the two dash tabs nearest to the battery compartment ②.
- Insert a #10 x 1" screw into the hole in the center of the dash, near the battery clamp ②.
- Tighten the screws with a Phillips screwdriver. Do not over-tighten.

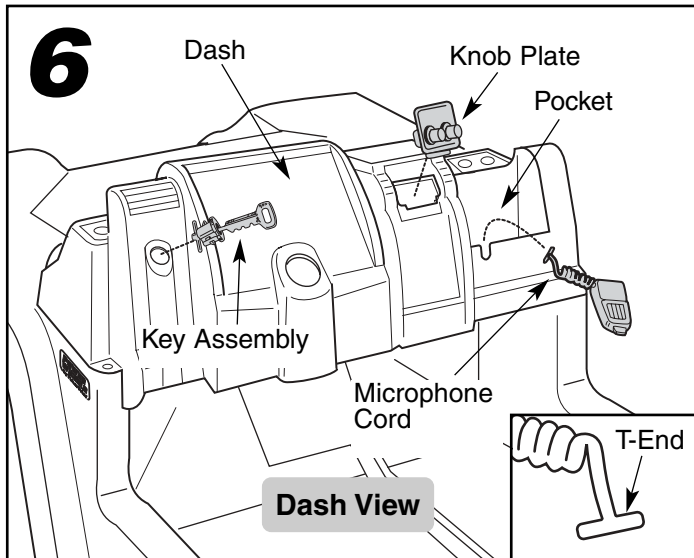


- Turn the vehicle body upside down.
- Fit the left sidepipe under the left (driver) side of the vehicle body.
- Insert two #8 x 3/4" screws through the top of the left sidepipe and into the screw pegs on the underside of the vehicle body.
- Tighten the screws with a Phillips screwdriver. Do not over-tighten.
- Repeat this procedure to assemble the right sidepipe to the right side of the vehicle body.

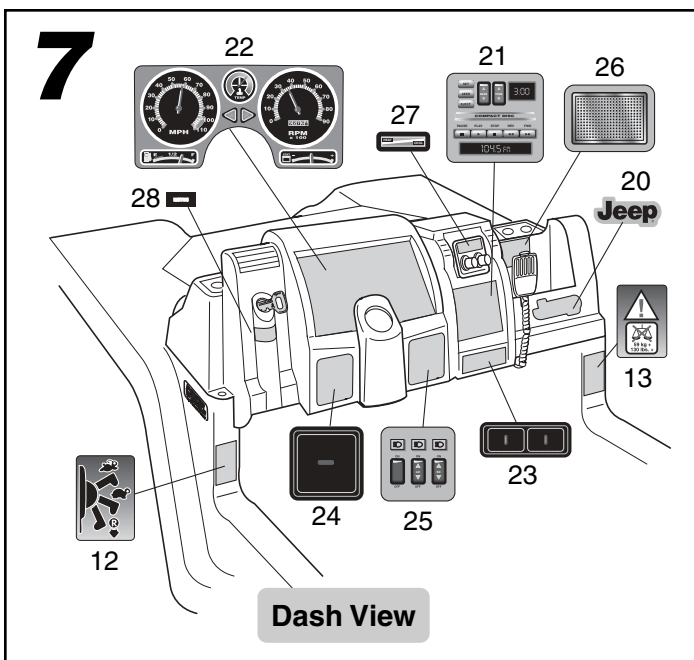


- Turn the vehicle body upright.
- Gently bend the tab on one of the sidepipes under the vehicle body.
- Insert a #8 x 3/4" screw through the hole in the vehicle body floor and into the tab.
- Tighten the screw with a Phillips screwdriver. Do not over-tighten.
- Repeat this procedure to fasten the other sidepipe on the other side of the vehicle body.

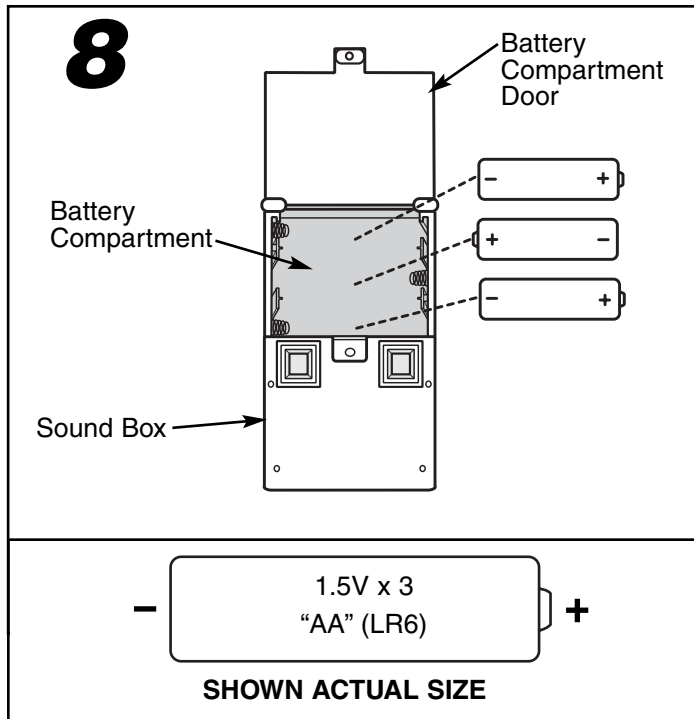
Assembly



- Bend the end of the microphone cord so that it forms a "T".
- Insert the end of the microphone cord through the square opening in the dash pocket. Pull gently on the cord to make sure it is secure in the dash.
- Hook the microphone onto the "U" slot on the dash pocket.
- Position the bottom edge of the knob plate in the opening in the dash. Insert and "snap" the top of the knob plate into the dash.
- Insert and "snap" the key assembly into the dash.



- Before applying labels to the dash, wipe the dash with a clean dry cloth to make sure it is free of dirt and oils. Make sure your hands are clean and dry.
- Apply labels as shown in the illustration. For best results, avoid repositioning a label once it has been applied.



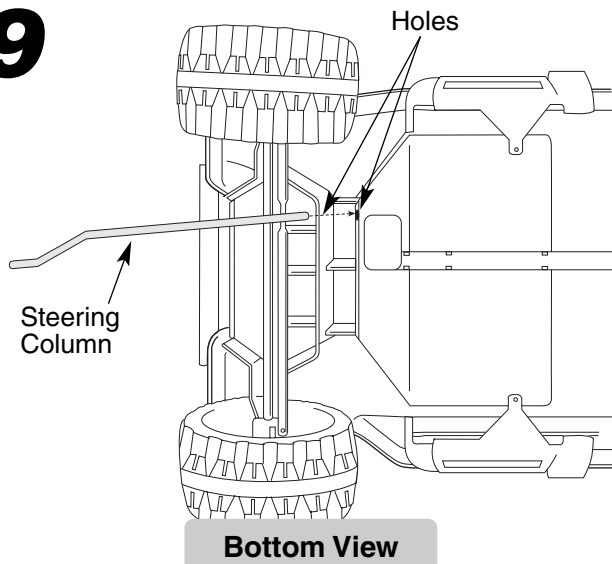
- Loosen the screw in the sound box's battery compartment door using a Phillips screwdriver and open the battery compartment.
 - Insert three "AA" (LR6) **alkaline** batteries in the sound box as indicated in the battery compartment.
 - Close the battery compartment door and tighten the screw using a Phillips screwdriver. Do not over-tighten.
- Hint:** For longest life, use only **alkaline** batteries.

Battery Tips

- Do not mix old and new batteries.
- Do not mix different types of batteries: alkaline, standard (carbon-zinc) or rechargeable (nickel-cadmium).
- Remove the batteries during long periods of non-use. Always remove exhausted batteries from the sound box. Battery leakage and corrosion can damage the vehicle.
- Dispose of batteries safely.
- Never short circuit the battery terminals.
- Non-rechargeable batteries are not to be recharged.
- Only batteries of the same or equivalent type as recommended in these instructions are to be used.
- If removable rechargeable batteries are used, they are only to be charged under adult supervision.
- Rechargeable batteries are to be removed from the sound box before they are charged.
- If you use a battery charger, it should be examined regularly for damage to the cord, plug, enclosure and other parts. Do not use a damaged battery charger until it has been properly repaired.
- When sound from the vehicle becomes faint, or if the sound stops working, it's time to replace the batteries.

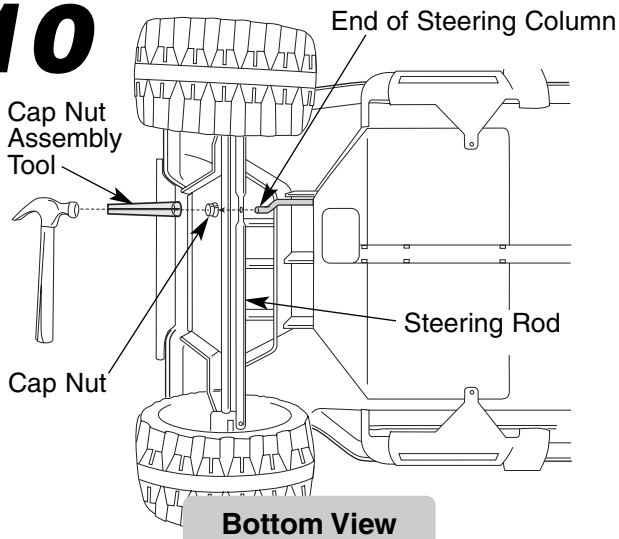
Assembly

9



- Wipe the steering column with a paper towel to remove any excess lubricant.
- Turn the vehicle body on its side.
- Insert the straight end of the steering column up through the two holes in the vehicle body and out through the hole in the dash.

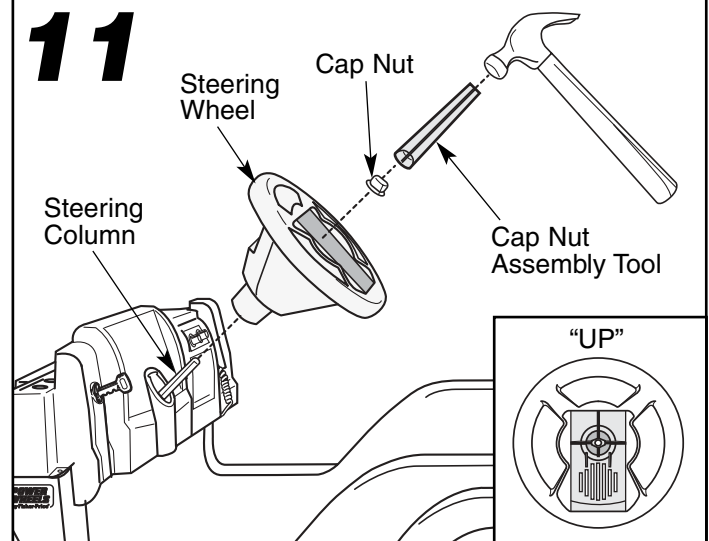
10



- Insert the end of the steering column through the hole in the steering rod.
- Fit a cap nut into the cupped end of the cap nut assembly tool.
- While supporting the steering column, hold the cap nut against the end of the steering column. Tap the cap nut assembly tool with a hammer to secure the cap nut on the steering column.

Hint: You may want the help of another person to support the steering column while you tap the cap nut assembly tool with the hammer.

11

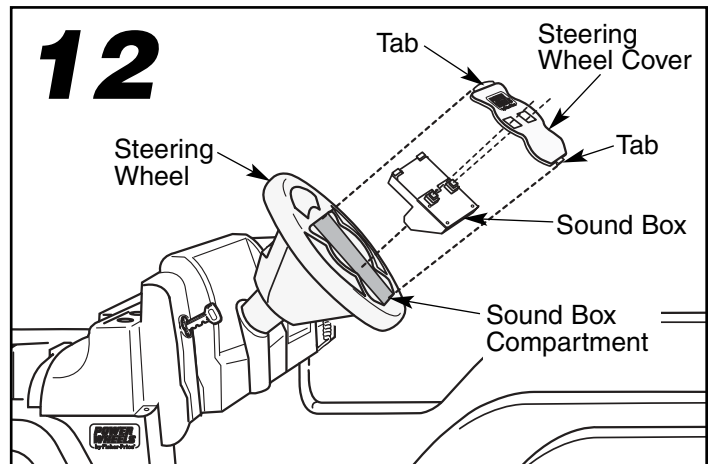


- Turn the vehicle body upright.
- Position the steering wheel upright (see inset).
- Fit the steering wheel onto the steering column.
- Fit a cap nut into the cupped end of the cap nut assembly tool.
- Hold the cap nut against the end of the steering column. Tap the cap nut assembly tool with a hammer to secure the cap nut on the steering column.

Hint: You may want the help of another person to support the steering column while you tap the cap nut assembly tool with the hammer.

- Discard the cap nut assembly tool.

12

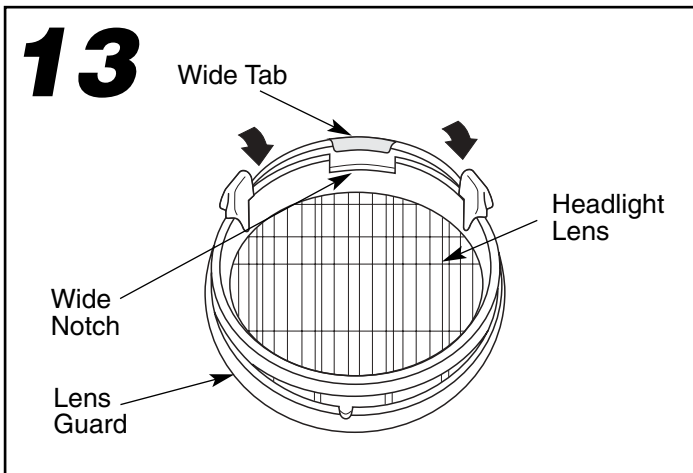


- Place the sound box, speaker side down, into the center of the steering wheel.
- Fit the tab at the top of the steering wheel cover under the top edge of sound box compartment.
- Fit the steering wheel cover over the sound box buttons and press near the bottom of the steering wheel cover to snap it into the steering wheel.

Hint: When it's time to change the batteries in the sound box, use a slotted screwdriver to press the bottom tab in and lift the steering wheel cover.

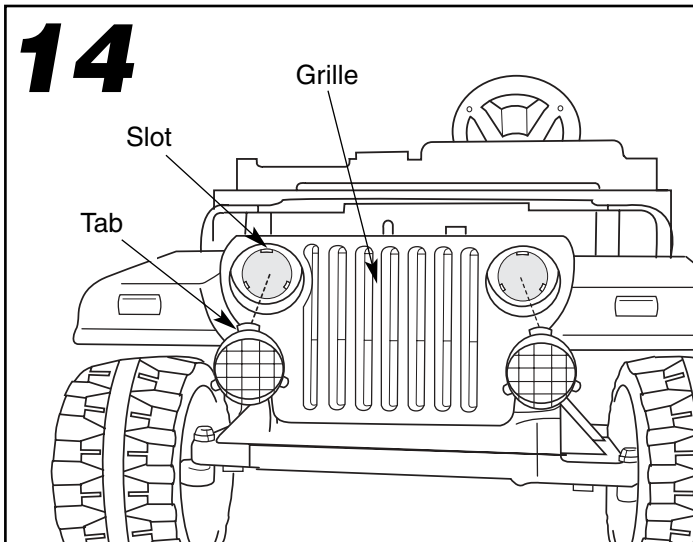
Assembly

13



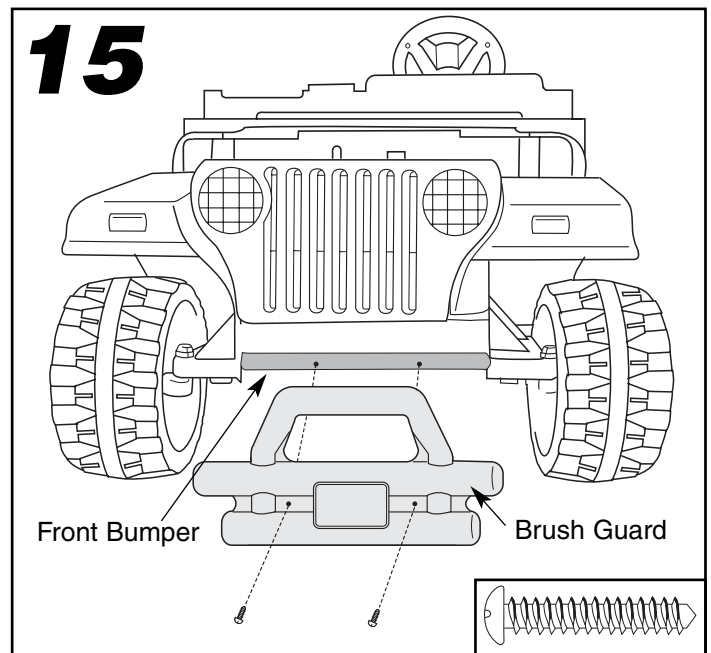
- Fit the wide notch in the side of a headlight lens under the wide tab on a lens guard.
- Press firmly on the inside of the headlight lens to snap it into the lens guard.
- Repeat this procedure to assemble the other headlight lens to the remaining lens guard.

14



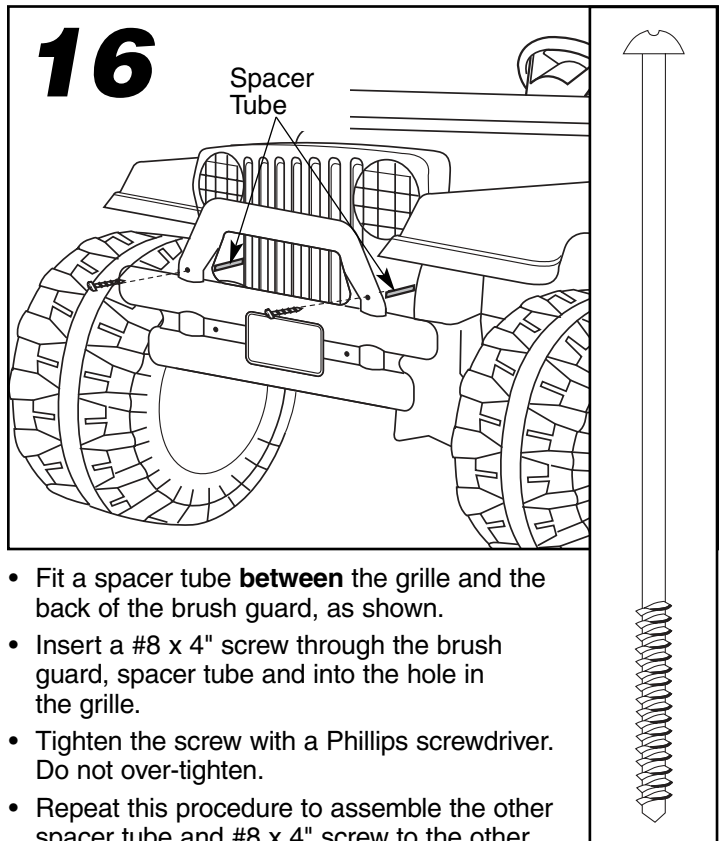
- Fit the tabs on the back of a lens assembly into the headlight slots in the grille.
- Press firmly to “snap” the lens assembly into the grille.
- Repeat this procedure to assemble the other lens assembly into the grille.

15



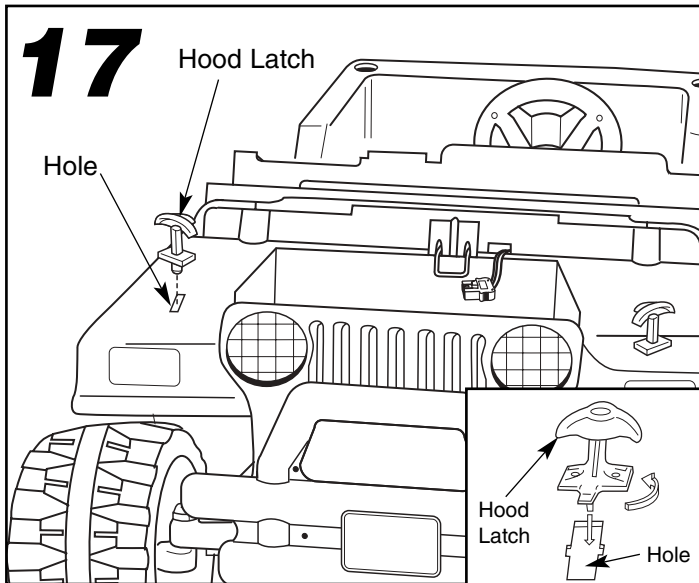
- Fit and hold the brush guard against the front bumper.
- Insert two #10 x 1" screws through the front of the brush guard and into the front bumper.
- Tighten the screws with a Phillips screwdriver. Do not over-tighten.

16

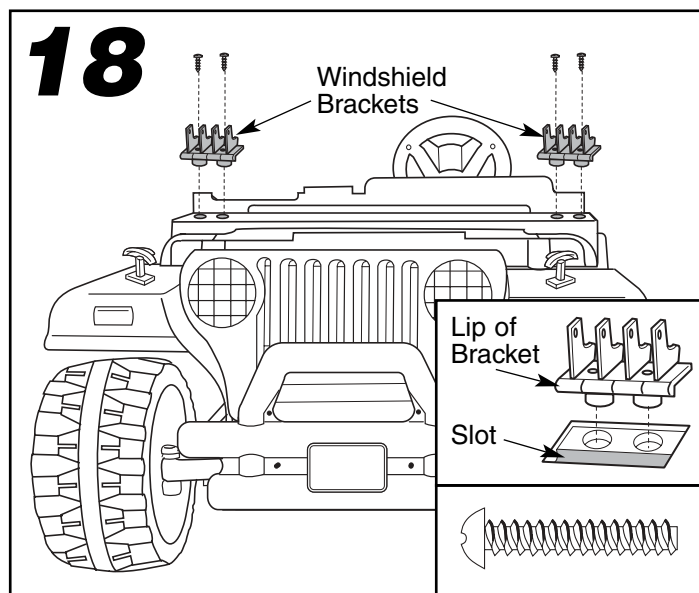


- Fit a spacer tube **between** the grille and the back of the brush guard, as shown.
- Insert a #8 x 4" screw through the brush guard, spacer tube and into the hole in the grille.
- Tighten the screw with a Phillips screwdriver. Do not over-tighten.
- Repeat this procedure to assemble the other spacer tube and #8 x 4" screw to the other side of the grille.

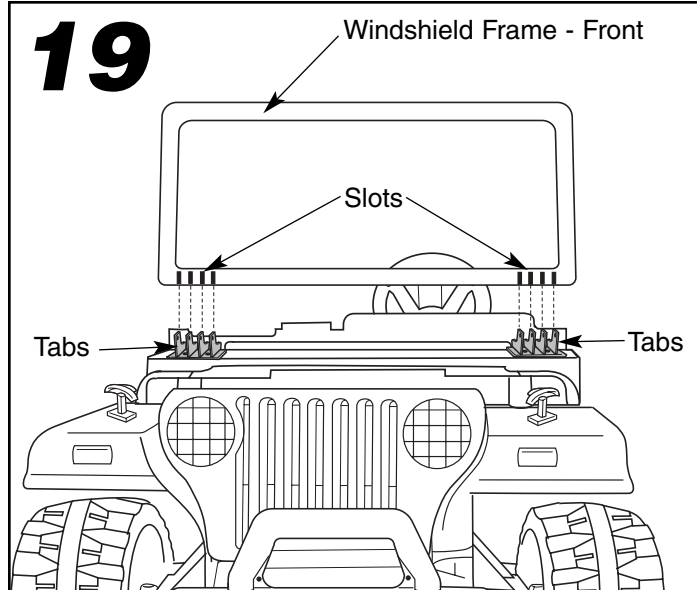
Assembly



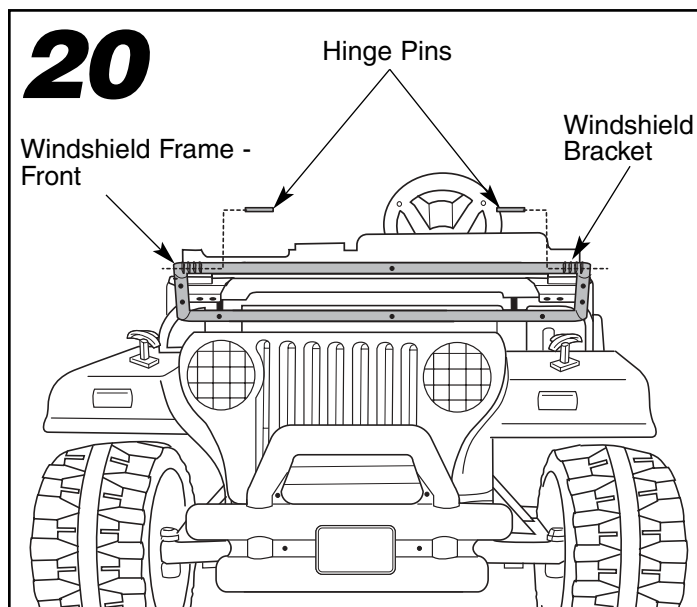
- Insert a hood latch into one of the holes in the vehicle body, near the hood area.
- Twist the base of the hood latch $\frac{1}{4}$ turn to secure it in the vehicle body.
- Repeat this procedure on the other side of the hood area to attach the other hood latch to the vehicle body.



- Fit the screw pegs on the windshield brackets into the holes in the top surface of the dash. Press firmly to fit the lip on each windshield bracket into the slot in the top of the dash.
- Insert two #8 x 1" screws through each windshield bracket and into the dash.
- Tighten the screws with a Phillips screwdriver. Do not over-tighten.



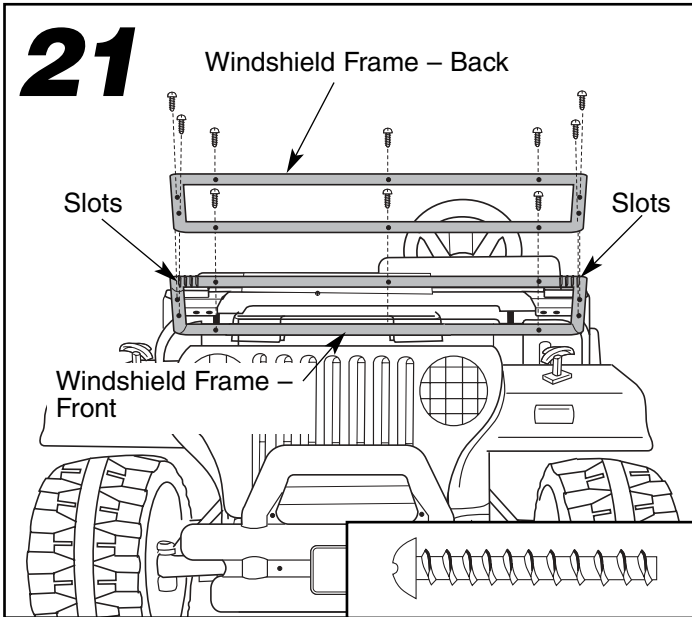
- Align the slots in the front half of the windshield frame with the tabs on the windshield brackets.
- Fit the front half of the windshield frame onto the windshield brackets as shown.



- Rotate the front half windshield frame down so it lays flat on the vehicle body.
- Working from the center of the vehicle, insert a hinge pin through the holes in the front windshield frame and the holes in each windshield bracket, as shown.

Assembly

21

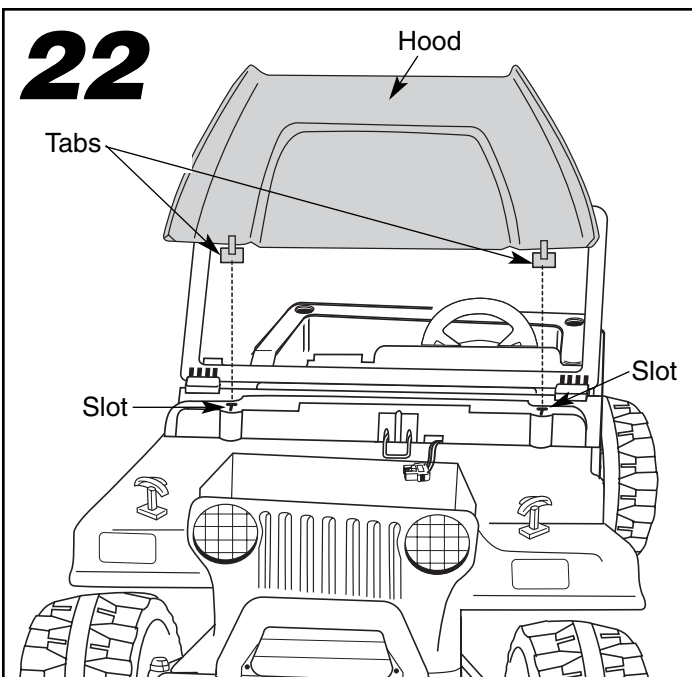


- Fit the back windshield frame onto the front windshield frame. Make sure the slots at the bottom of the two windshield frames are aligned.
- Insert ten #8 x 1 1/4" screws into the back windshield frame.
- Tighten the screws with a Phillips screwdriver. Do not over-tighten.

Hint: Squeeze the two windshield frames together while tightening the screws.

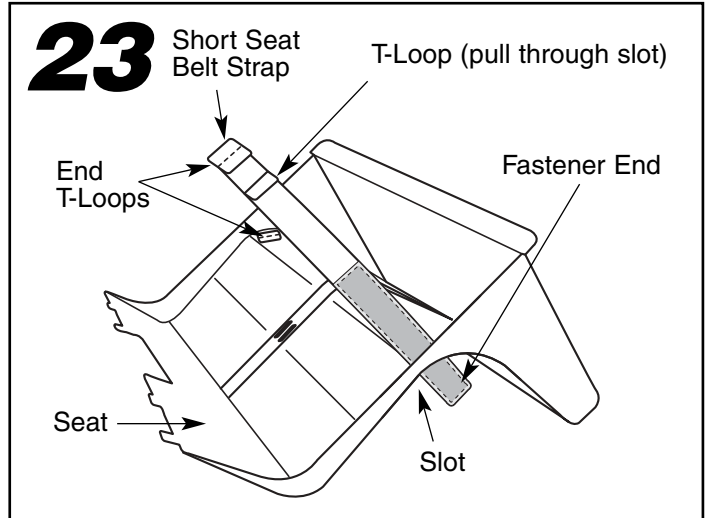
- Lift the assembled windshield to the raised position.

22



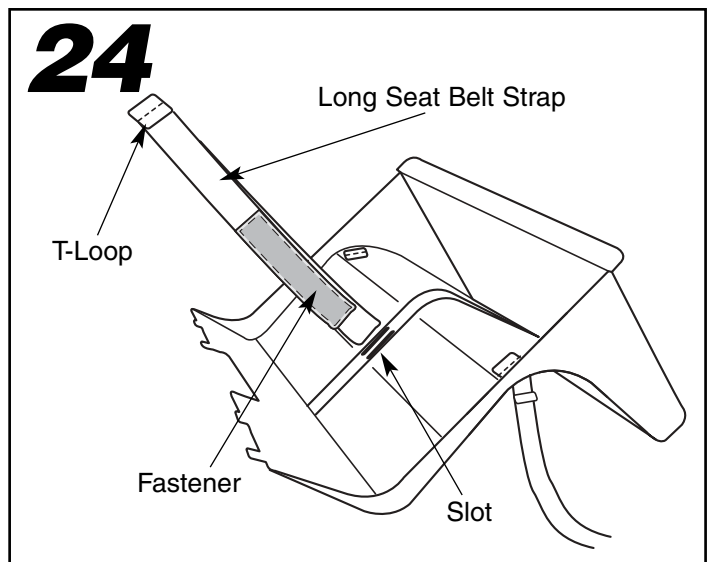
- Position the hood over the front of the vehicle body.
- Insert the tabs on the hood into the slots in the vehicle body.
- Close the hood

23



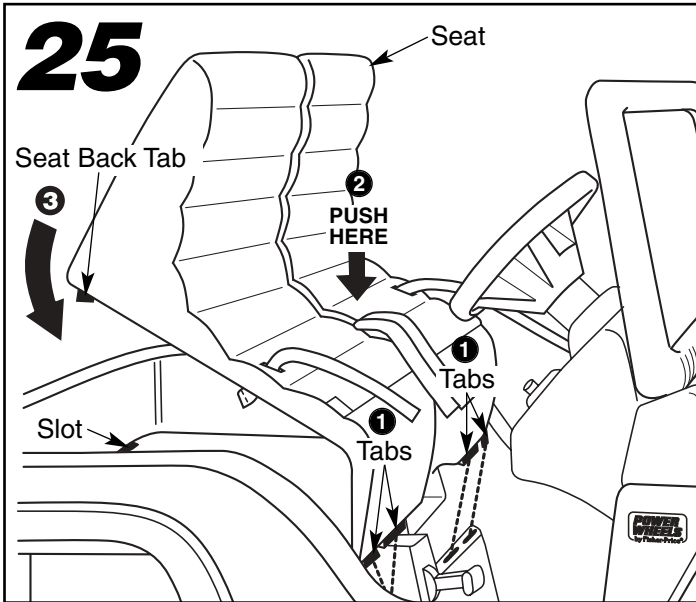
- Turn the seat upside down.
- Insert the fastener end of a short seat belt strap through the slot near the outer edge of the seat. Make sure the side of the seat belt with the fastener faces the outer edge of the seat.
- Pull the short seat belt strap completely through the slot until the last T-loop at the opposite end of the belt catches against the slot. You will pull one T-loop through the slot.
- Repeat this procedure to assemble the other short seat belt strap.

24

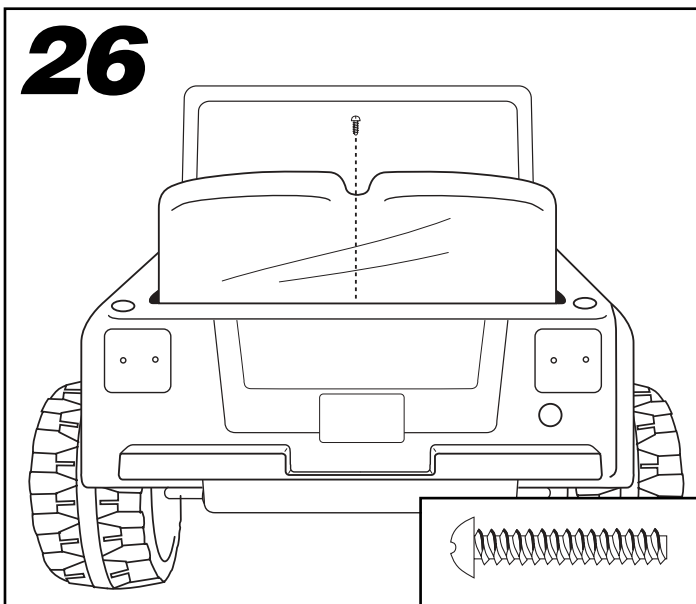


- Insert each end of the long seat belt strap through a slot in the center of the seat. Make sure the fasteners face the outer edge of the seat.
- Pull each side of the long seat belt strap evenly through the slots. Make sure to pull each T-loop through a slot.
- Turn the seat upright.

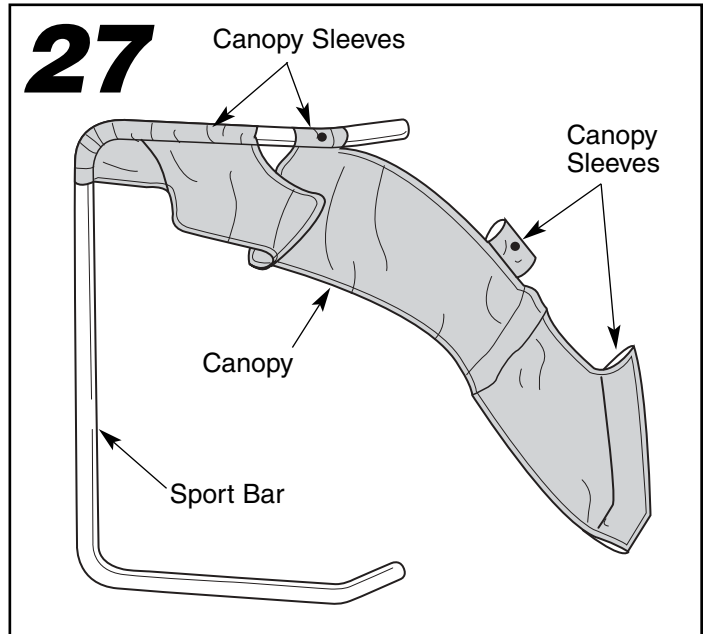
Assembly



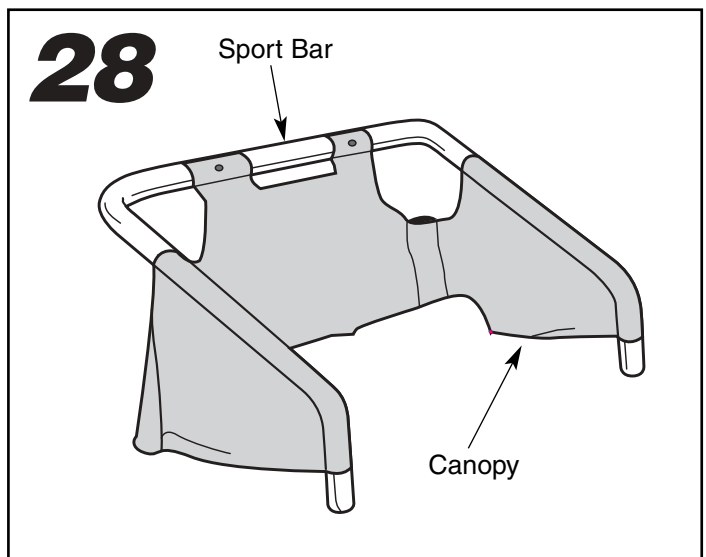
- With the seat at an angle, insert the tabs on the front edge of the seat into the slots in the foot-well wall ①.
- Push down firmly on the edge of the seat above each tab to insert and “snap” the tabs into the slots ②.
- Rotate the back of the seat down ③ to insert and “snap” the seat back tabs into the slots in the vehicle body. Push down firmly on the seat back.



- Insert a #8 x 1" screw through the hole in the rear of seat and into the vehicle body, as shown.
- Tighten the screw with a Phillips screwdriver. Do not over-tighten.

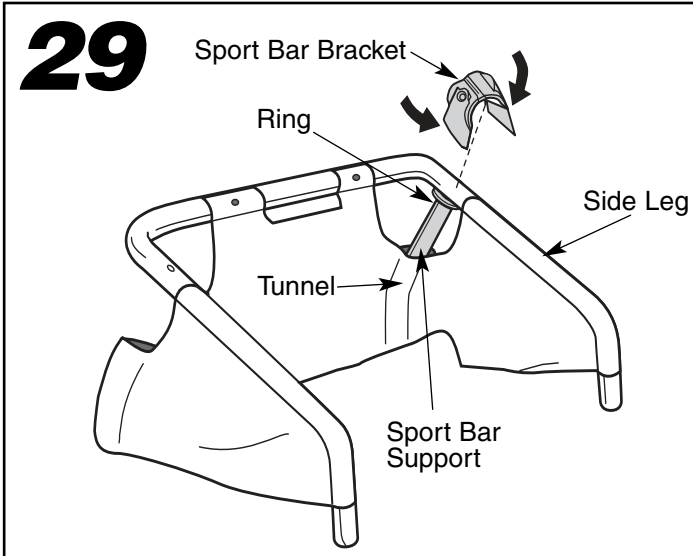


- Position the sport bar on its side so that the sport bar ends curve away from you.
- Position the canopy opposite the sport bar with the netting facing away from you.
- Slide the four canopy sleeves onto the sport bar.

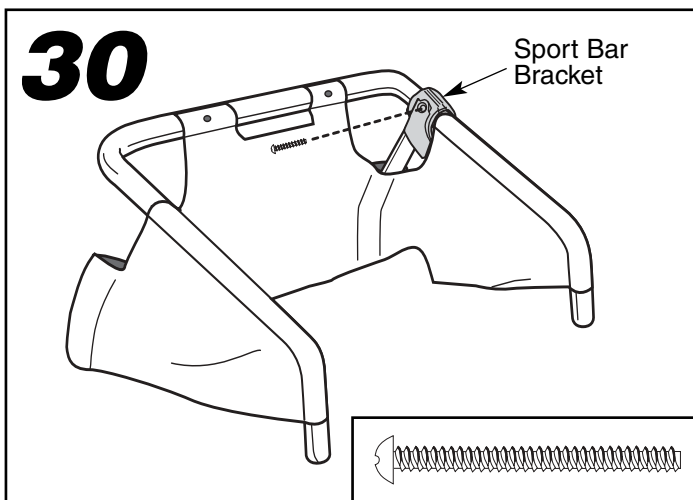


- Extend the canopy completely around the sport bar.

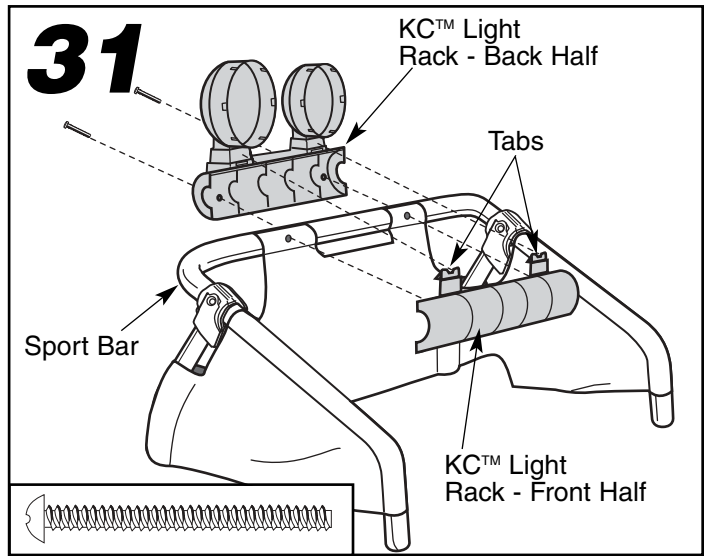
Assembly



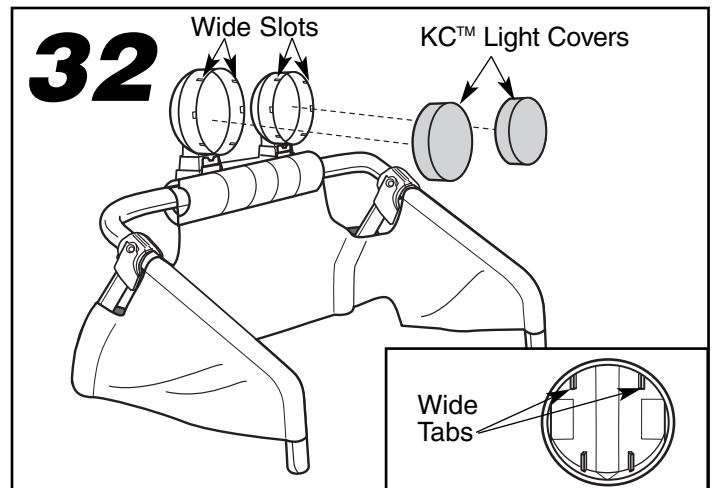
- Using safety scissors, remove the sport bar brackets from the plastic connector. Dispose of the plastic connector.
- Position the sport bar upright.
- Fit a sport bar support through a tunnel in a rear corner of the canopy. Make sure the ring end of the sport bar support is positioned toward the sport bar.
- Position a sport bar bracket above one of the sport bar side legs, as shown.
- Fit the ring on the sport bar support against the end of the sport bar bracket.
- Fold the sport bar bracket over the sport bar to close it around the sport bar and sport bar support.



- Insert a #6 x 1 1/2" screw through the sport bar bracket and into the sport bar.
- Tighten the screw with a Phillips screwdriver. Do not over-tighten.
- Repeat steps 29 and 30 to attach the other sport bar support and sport bar bracket to the other sport bar side leg.

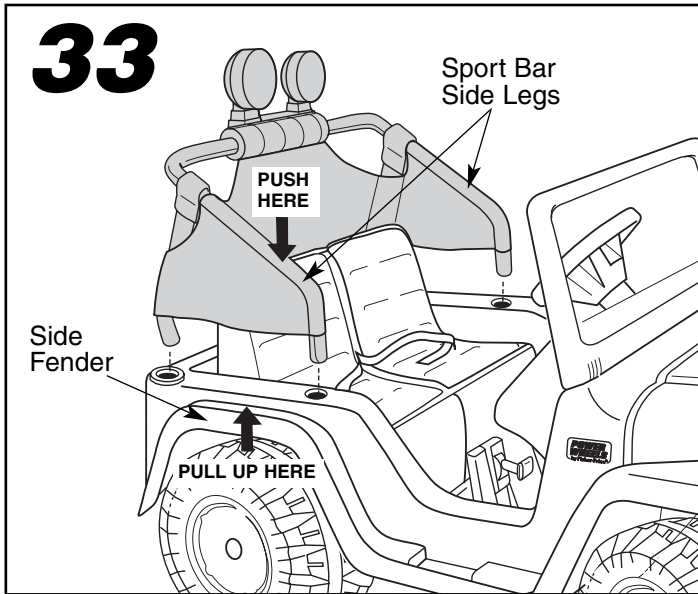


- Position the sport bar with the ends on a flat surface, as shown.
- Fit and hold the front and back halves of the KC™ light rack against the sport bar. Make sure the two KC™ light rack halves are aligned, and that the screw holes in the KC™ light rack are aligned with the screw holes in the canopy and the sport bar.
- Insert and "snap" the tabs on the front half of the KC™ light rack into the slots below the light housings on the back half of the KC™ light rack.
- Insert two #6 x 1 1/2" screws through the holes in the back of the KC™ light rack, through the sport bar, and into the front half of the KC™ light rack.
- Tighten the screws with a Phillips screwdriver. Do not over-tighten.

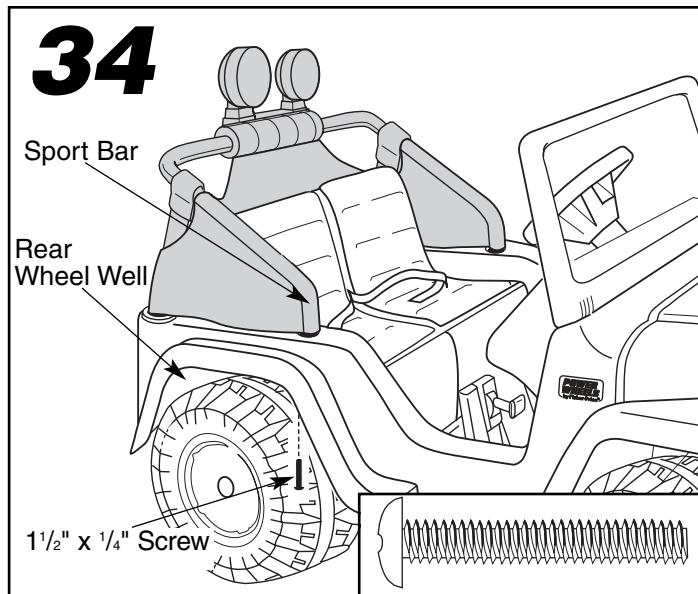


- Align the four tabs on the inside of a light cover with the four slots in one of the light housings on the KC™ light rack.
- Hint:** Make sure the light covers are positioned with the wide tabs at the top.
- Push firmly on the light cover to "snap" it to the light housing.
 - Repeat this procedure on the other side of the KC™ light rack to assemble the other light.

Assembly

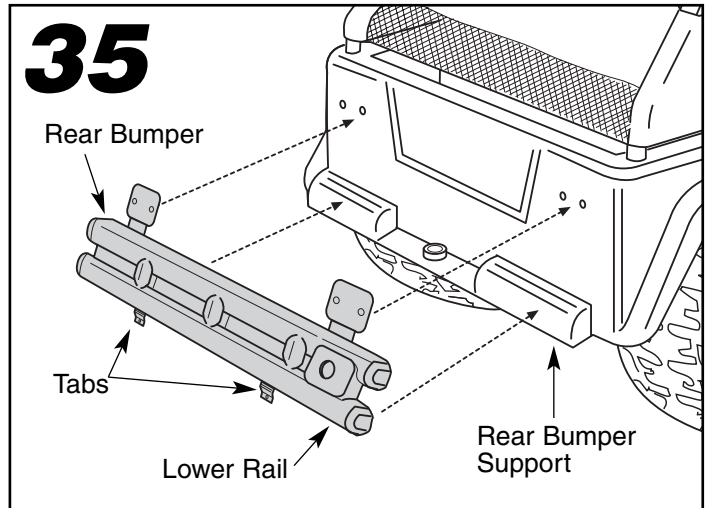


- Fit the sport bar and sport bar support legs into the holes in the vehicle body.
- Push down firmly on a sport bar side leg while pulling up on the side fender to fit the sport bar into the vehicle body.
- Repeat this procedure on the other side of the vehicle body.

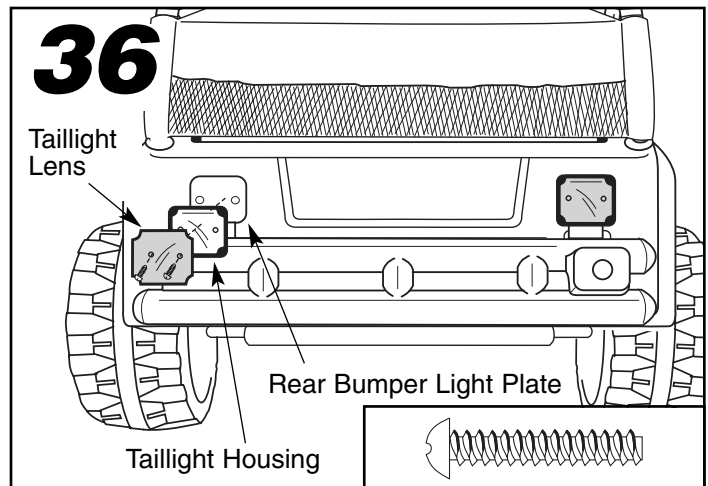


- Insert a 1 1/2" x 1/4" machine screw into the hole closest to the front of the vehicle in the underside of the rear wheel well, through the vehicle body and into the end of the sport bar. Tighten the screw with a Phillips screwdriver. Do not over-tighten.
- Repeat this procedure on the other side of the vehicle body.

IMPORTANT! Make sure to assemble the two 1 1/2" x 1/4" machine screws to hold the sport bar and the sport bar supports in place.

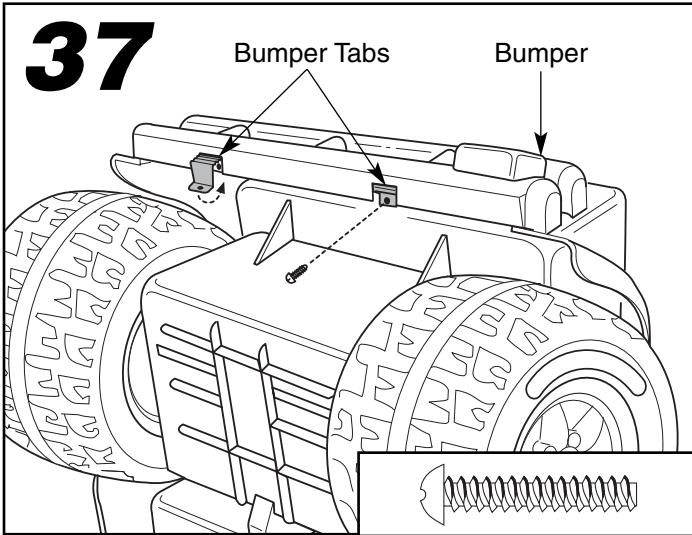


- Face the rear of the vehicle.
- Fit the lower rail on the rear bumper over the rear bumper supports.
- Gently bend the tabs at the bottom of the rear bumper under the vehicle.

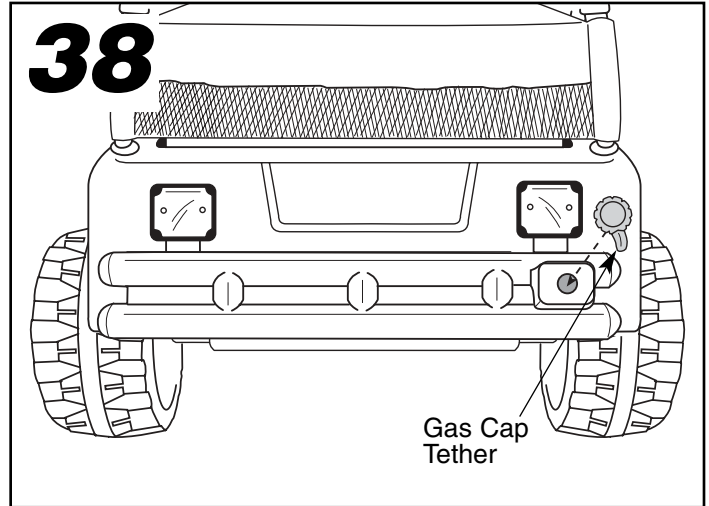


- Using safety scissors, remove the taillight lenses and the taillight housings from the plastic connectors. Dispose of the plastic connectors.
- Face the rear of the vehicle.
- Fit a taillight lens inside a taillight housing.
- Position the taillight housing with lens against a rear bumper light plate with the screw holes aligned.
- Insert two #8 x 1" screws through the taillight lens, rear bumper light plate housing and into the vehicle body.
- Tighten the screws with a Phillips screwdriver. Do not over-tighten.
- Repeat this procedure to attach the other taillight.

Assembly



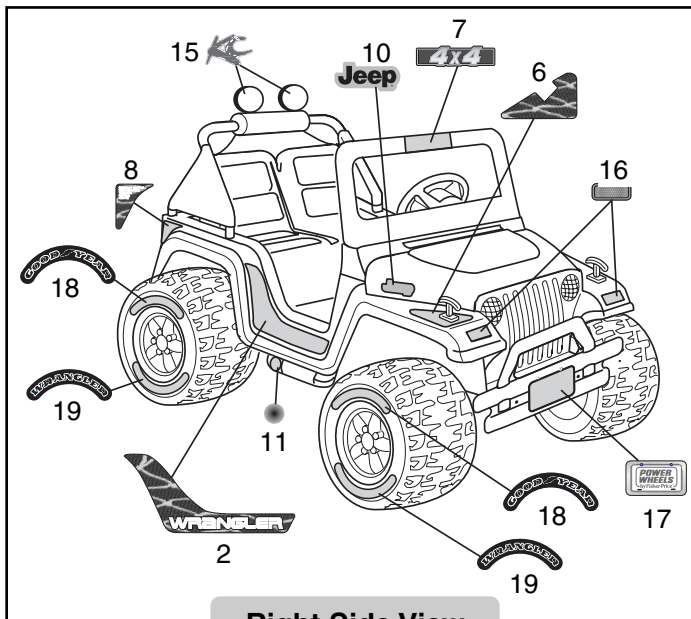
- Lift the rear of the vehicle.
- Align the holes in the bumper tabs with the screw pegs on the underside of the vehicle body.
- Insert two #8 x 1" screws through the bumper tabs and into the vehicle body.
- Tighten the screws with a Phillips screwdriver. Do not over-tighten.
- Lower the rear of the vehicle.



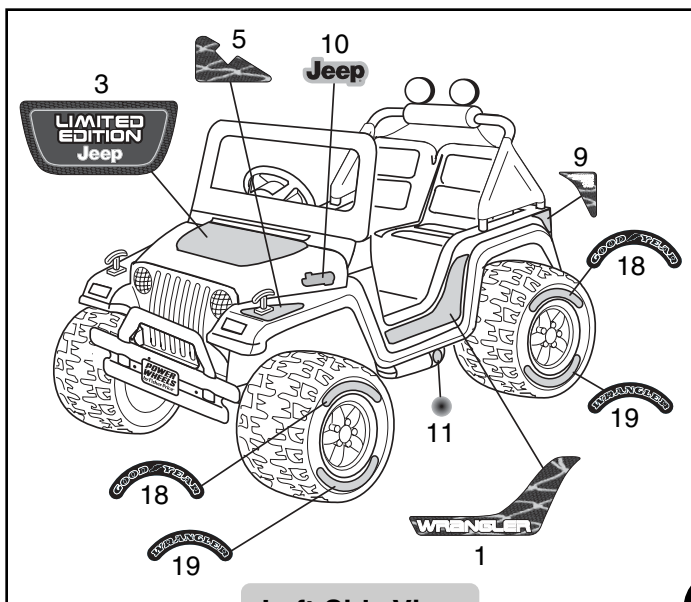
- Position the gas cap so that its tether points down.
- Insert and “snap” the gas cap into the opening on the rear bumper.

Proper label application will help to keep the labels looking their best! When applying labels, keep the following guidelines in mind:

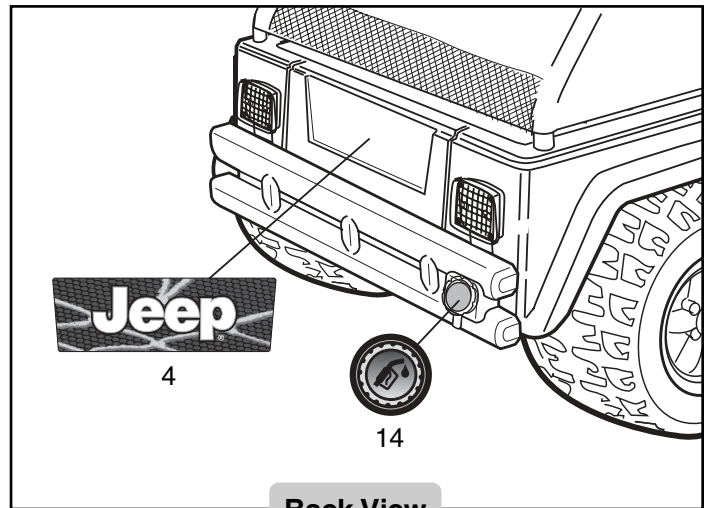
- Wash your hands before applying the labels.
- Before applying the labels, wipe the surface of the vehicle with a clean, dry cloth to remove any dust or oils.
- Place the labels exactly as shown in the illustrations. For best results, avoid repositioning a label once it has been applied to the vehicle.
- After applying a label, rub the label firmly with a clean, dry cloth to make sure the label is adhered to your vehicle. Start at the center of a label, and smooth towards the outer edges to remove air bubbles.



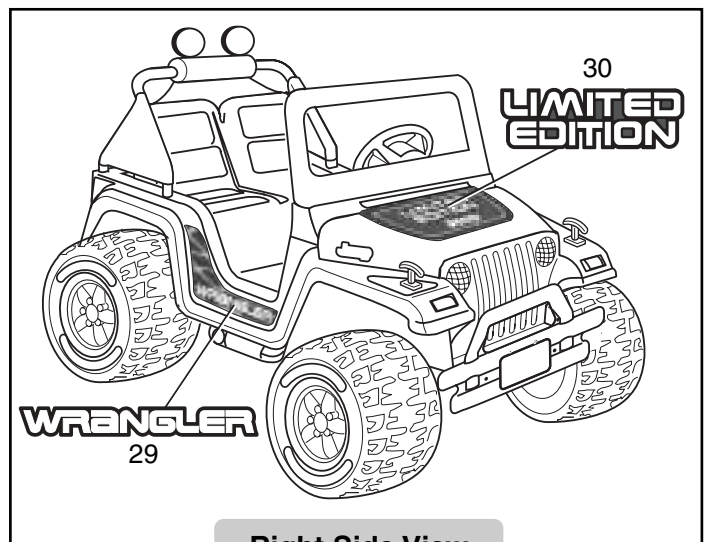
Right Side View



Left Side View



Back View



Right Side View

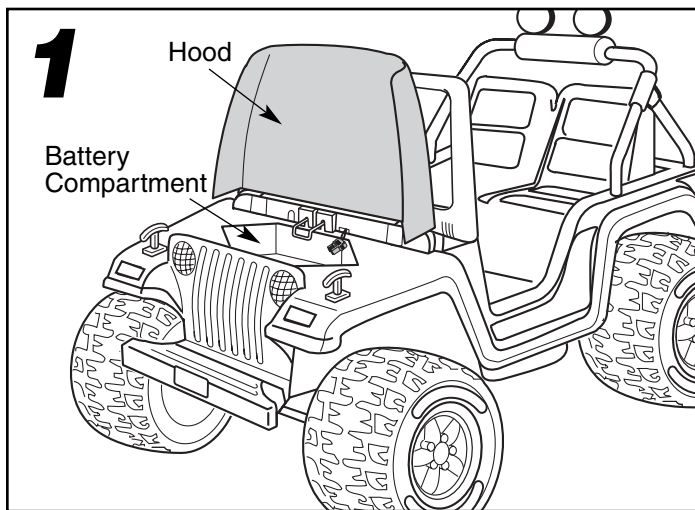
- Your Limited Edition Jeep Wrangler includes additional gold labels. These labels (29 and 30) should be applied over labels 1, 2 and 3 (on both sides of the vehicle).

One-time assembly is now complete.

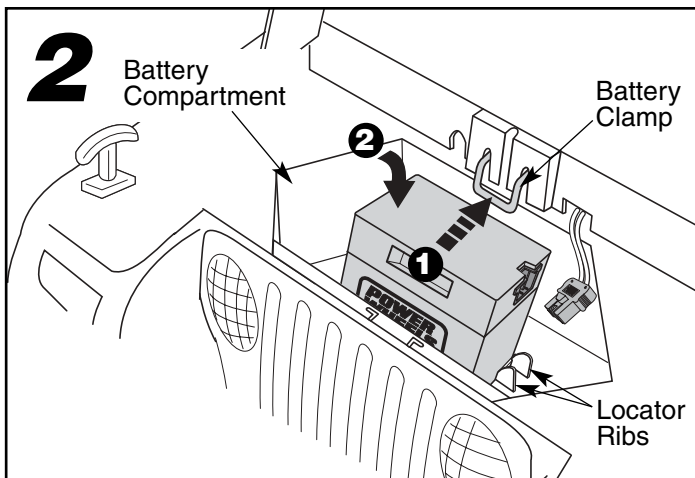
IMPORTANT!

- Please carefully read the owner's information in this manual and teach your child about proper vehicle operation and rules for safe driving before allowing operation of this vehicle.
- For safety reasons, your vehicle has been pre-set so that it will only operate at low speed (2½ mph, maximum). Make sure that your child can safely operate this vehicle at low speed before adjusting the vehicle to run at high speed (5 mph, maximum). **To disconnect high speed lock-out, please see page 27.**

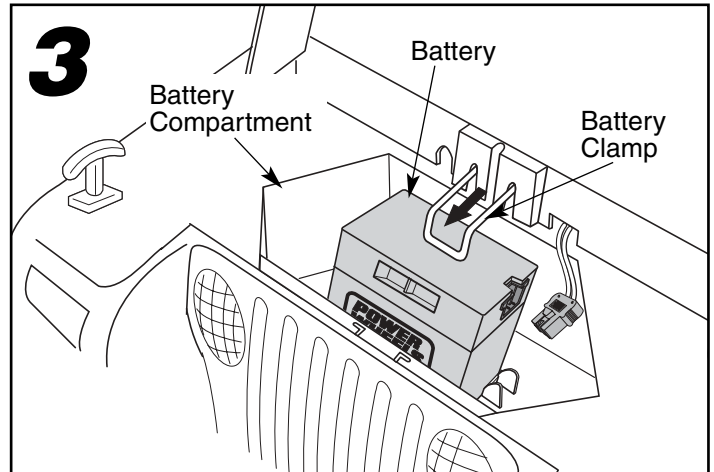
IMPORTANT! Use only a Power Wheels® 12 volt battery. Use of any other battery will damage your vehicle. Make sure that you charge the battery for at least 18 hours using the enclosed Power Wheels® 12 volt charger before operating your vehicle for the first time. Charge the battery for at least 14 hours after each use of the vehicle. Never charge the battery longer than 30 hours. Failure to follow these instructions may damage your battery and will void your warranty. It is easier to install the battery before assembling the hood to your vehicle. If you have already assembled the hood to your vehicle, you may want to remove it to install the battery.



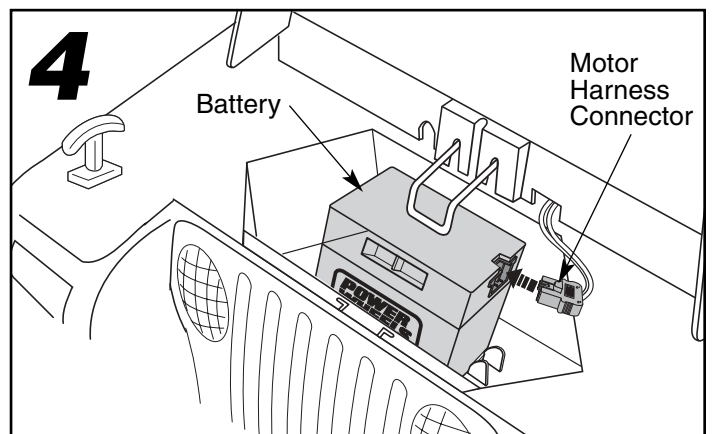
- Lift the hood to access the battery compartment.



- Press the battery clamp to slide it into the dash ①.
- While holding the battery clamp against the dash ②, place the battery in the battery compartment ②. Make sure the battery is upright and positioned between the locator ribs at the bottom of the battery compartment.



- Release the battery clamp. Make sure the battery clamp slides over the top of the battery. If the battery clamp does not slide over the top of the battery, reposition the battery in the battery compartment. (See step 2.)

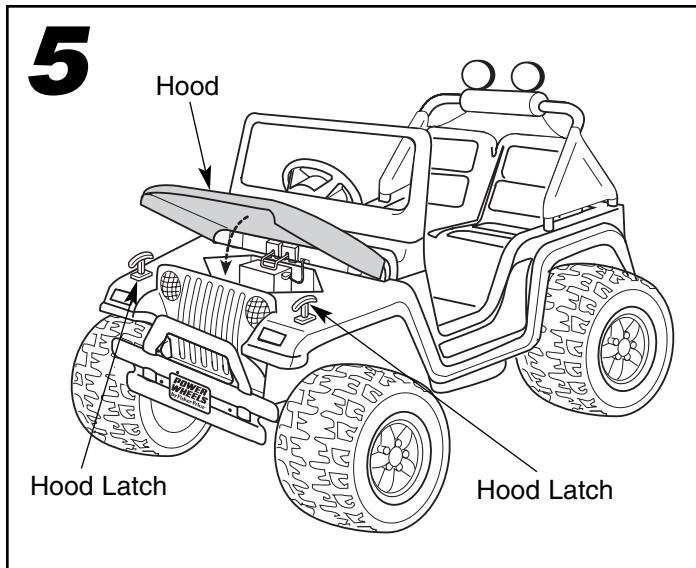


- Plug the motor harness connector into the battery. **Push firmly to make sure the connectors are completely joined.**

Note: To remove a battery from the battery compartment, disconnect the motor harness connector from the battery. Press and hold the battery clamp against the dash and lift the battery from the battery compartment.

Battery Installation

Battery Care and Disposal



- Lower the hood and secure the hood latches.

I

Battery Care and Disposal

Disposal



- Your Power Wheels® battery is a sealed lead-acid battery. It must be recycled or disposed of in an environmentally sound manner.
- Do not dispose of a lead-acid battery in a fire. The battery may explode or leak.
- Do not dispose of a lead-acid battery in your regular, household trash. The incineration, landfilling or mixing of sealed lead-acid batteries with household trash is prohibited by law in most areas.
- Return exhausted batteries to a federal or state approved lead-acid battery recycler, such as a Power Wheels® authorized service center, or a local seller of automotive batteries. For the service center location nearest you, please call 1-800-348-0751. Contact your local waste management officials for other information regarding the environmentally sound collection, recycling and disposal of lead-acid batteries. If you live in the State of Florida or Minnesota, it is prohibited by law for anyone to throw away lead-acid batteries in the municipal waste stream.

Care

If a battery leak develops, avoid contact with the leaking acid and place the damaged battery in a plastic bag. See information below for proper disposal.

If acid comes in contact with skin or eyes, flush with cool water for at least 15 minutes and call a physician.

If acid is internally ingested, give water, milk of magnesia or egg whites immediately. Never give emetics or induce vomiting. Call a physician.

- Charge a new battery for at least 18 hours before first use. Never charge the battery longer than 30 hours. Overcharging or undercharging the battery may shorten battery life and decrease vehicle running time.
- After the first charge, recharge the battery for at least 14 hours after each use. Never charge the battery longer than 30 hours. Charge the battery after each use, regardless of how long the vehicle was used.
- The battery must be upright while charging.
- Do not allow the battery to run down completely before charging.
- Charge the battery before storing the vehicle.
- Charge the battery at least once per month, even if the vehicle has not been used.
- Leaving the battery in a discharged condition will ruin it.
- Do not store the battery in temperatures above 75° F or below -10° F.
- Use only a Power Wheels® 12 volt battery. Remember to charge the new battery for at least 18 hours before first use.
- Prevent the battery from moving freely inside the battery compartment. Always use the battery clamp to secure the battery in the battery compartment.
- Examine the battery, charger and its connector for excessive wear or damage each time you charge the battery. If damage is detected, do not use the charger or the battery until you have replaced the worn or damaged part.
- Always remove an exhausted battery from the vehicle. Battery leakage and corrosion can damage the vehicle.
- Do not store the battery on a surface (such as kitchen counter tops) which could be damaged by the acid contained inside the batteries. Take precautions to protect the surface on which the battery is stored.

RIDING HAZARD



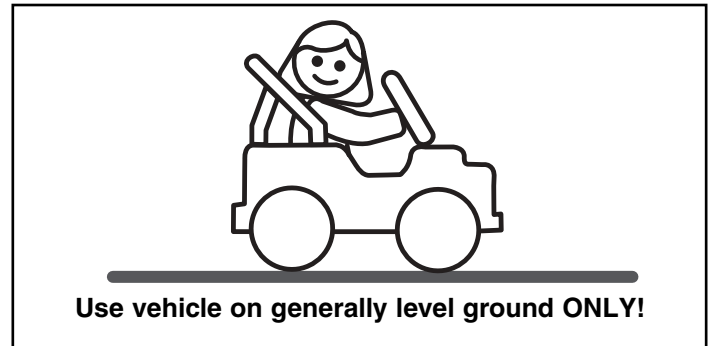
WARNING

Prevent Injuries and Deaths

- Direct Adult Supervision Required
- Keep Children Within Safe Riding Areas

These areas must be:

- away from swimming pools and other bodies of water to prevent drownings
- generally level to prevent tipovers
- away from steps, driveways, cars, roads and alleys.



Teach Safety Rules to Children

While children can quickly develop the skill necessary to drive this vehicle, it is important to remember that their judgment skills are still very immature. Unsupervised driving by children can lead to serious injury. Before children use this vehicle, an adult should carefully evaluate the driving area as well as the children's skill level and ability to drive this vehicle safely. Children are not always able to recognize or anticipate hazards, even when they have been taught about them. **THERE IS NO ACCEPTABLE SUBSTITUTE FOR DIRECT ADULT SUPERVISION.**

Teach appropriate safety rules to your child before allowing operation of this vehicle. These rules should also be reviewed with neighborhood children or other playmates who want to drive this vehicle.

Riding Rules

Make sure children know and follow these rules for safe driving:

1. Always sit on the seat.
2. Always wear shoes.
3. Only 2 (two) riders at a time. Children that are not sitting on the seat or are standing on the vehicle could fall off, cause a tip-over or block the driver's view. Children could be seriously injured.
4. Do not allow any child to drive the vehicle in the street or near moving (motorized) vehicles.
5. Do not allow any child to drive near bodies of water (such as pools or creeks), obstructions (such as furniture, low tree limbs or play equipment), or drop-offs (such as stairs or decks).
6. Do not allow any child to drive the vehicle in the dark. A child could encounter unexpected obstacles and have an accident. Operate the vehicle only in the daytime or a well-lit area.

7. Do not allow your child to drive on sloped or inclined surfaces. **Restrict your child's driving to generally level ground ONLY!**
8. Do not allow your child to drive down or across a steep slope.
 - The vehicle may gain unsafe speed, even if the pedal is released to stop.
 - The vehicle may tilt and tip over.
 - The wheels could lose traction, causing the vehicle to slip.
9. Do not allow your child to drive up steep inclines. The motor may stop and the vehicle could roll backwards at an unsafe speed.
10. Never put anything near any moving parts. Rotating parts such as motors, gear boxes and wheels can snag fingers, hair, etc., causing serious injury. Do not allow operation of the vehicle when it is on its side or in an upside-down position.
11. Do not operate the vehicle near flammable vapors (gasoline, paint thinner, acetone, liquid wax, etc.). The vehicle's electrical switches, like most electrical switches, emit an internal spark when first turned on or turned off. The presence of flammable liquids or vapors could cause an explosion or a fire. Keep all flammable products in tightly sealed containers and away from the vehicle.
12. Do not allow a child to operate the vehicle without direct adult supervision. To prevent unsupervised use of the vehicle, disconnect the motor harness from the battery when the vehicle is not in use.

To disconnect the motor harness connector and battery:

- Raise the hood to access the battery.
- Unplug the motor harness connector from the battery.
- Lower the hood and fasten the hood latches.

K

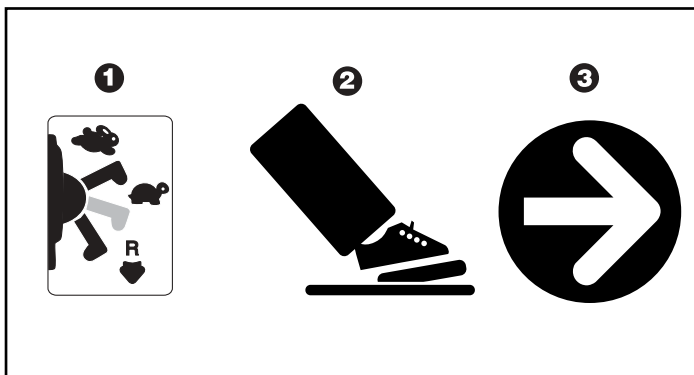
How to Operate Your Vehicle

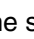
IMPORTANT! Use this vehicle **ONLY** outdoors. Most interior flooring can be damaged by riding this vehicle indoors. Fisher-Price® will not be responsible for damage to the floor if the vehicle is used indoors.

Beginner Use - Low Speed Drive

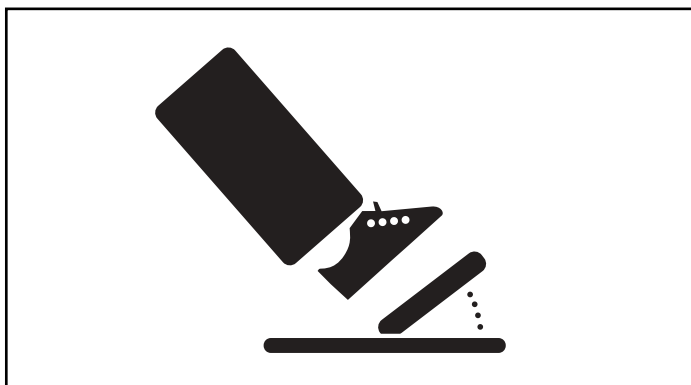
As assembled, your vehicle is ready to roll in low speed (2½ mph, maximum). It has been pre-set so it will only operate in low speed. After your child has mastered the basic skills of driving and understands the rules for safe driving, it's time to remove the high speed lock-out screw to allow the vehicle to operate in low or high speed.

See the instructions on page 27 to remove the high speed lock-out screw.



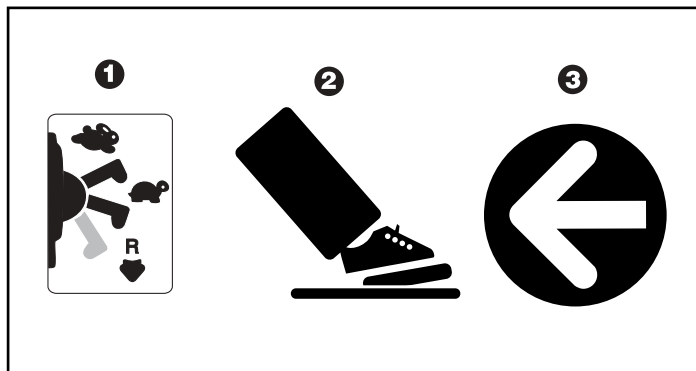
- Make sure the shifter is in the low speed  position ❶.
- Press down on the foot pedal ❷. The vehicle goes forward at a maximum of 2½ mph ❸.
- Help your child practice steering to learn how far and how quickly to turn the steering wheel when driving forward in low speed.

To Stop




- Your vehicle has a patented electronic braking system that automatically stops the vehicle when your child's foot is lifted from the pedal.
- Make sure your child is comfortable with steering the vehicle and automatically knows how to stop.


To Back Up



IMPORTANT: To avoid damaging the motors and gears, stop the vehicle before shifting from forward to reverse .

- Once your child is completely comfortable with operating the vehicle in the forward mode, introduce reverse .

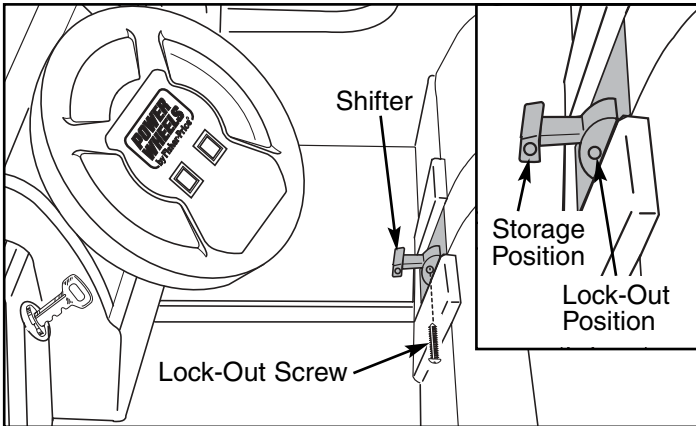
To Back Up

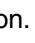
- Make sure the shifter is in the reverse  position ❶.
- Press down on the foot pedal ❷. The vehicle goes in reverse at a maximum of 2½ mph ❸.
- The vehicle is designed to operate in low speed only in reverse.
- Help your child practice steering to learn how far and how quickly to turn the steering wheel when driving in reverse.

How to Operate Your Vehicle

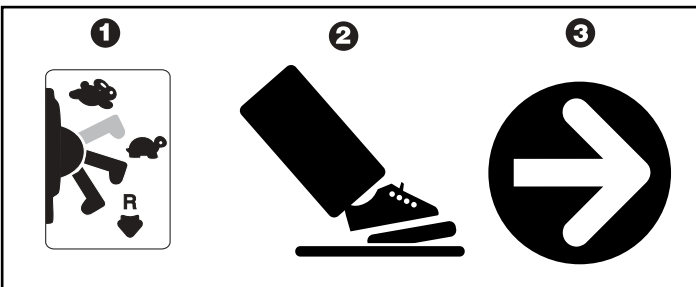
Advanced Use - High Speed Drive

Disconnecting the High Speed Lock-Out




- Before you disconnect the high speed lock-out, make sure your child knows how to steer, how to start and stop the vehicle and knows the rules for safe driving. When the high speed lock-out is disconnected, the vehicle can be driven forward in low speed (2½ mph, maximum) or high speed (5 mph, maximum).
- Make sure the shifter is in the reverse  position.
- Loosen the screw in the shifter box using a Phillips screwdriver.
- Remove the screw.
- Insert the lock-out screw into the hole in the shifter handle to keep it for future use. It can be re-inserted into the shifter box to lock-out high speed.

To Drive



IMPORTANT! To avoid damaging the motors and gears, stop the vehicle before shifting between low and high speed.

- Make sure the shifter is in the high speed  position ①.
- Press down on the foot pedal ②. The vehicle goes forward at a maximum of 5 mph ③.
- Help your child practice steering to learn how far and how quickly to turn the steering wheel when driving forward in high speed.
- Make sure your child is comfortable with steering the vehicle and automatically knows how to stop.
- Stopping in high speed is the same as stopping in low speed. The vehicle automatically stops when your child's foot is lifted from the pedal.

L

Caring For Your Vehicle

- Check all screws, cap nuts and protective coverings regularly and tighten as required. Check plastic parts on a regular basis for cracks or broken pieces.
- During snowy or rainy weather, the vehicle should be stored inside or under a protective cover. Remember to charge the batteries at least once per month while your vehicle is not in regular use.
- Avoid operating the vehicle in wet or snowy conditions and do not spray the vehicle with a hose. Do not wash the vehicle with soap and water. Water or moisture in the motors or electrical switches can cause them to corrode and could cause switch or motor failure.
- Avoid operating the vehicle on sand, loose dirt or gravel. Sand, loose dirt or gravel in the motors or electrical switches can cause them to jam and could cause switch or motor failure.
- The vehicle can be wiped down with a soft, dry cloth. For a shiny finish, you can wipe plastic parts with a non-wax furniture polish applied to a soft-cloth. Do not use automotive wax. Do not use soap and water or spray the vehicle with a hose.
- To ensure that your vehicle stays in good operating order, we recommend that you periodically have your vehicle checked by a Power Wheels® authorized service center. See page 32 for the list of authorized service centers or call **1-800-348-0751** for the location of the authorized service center nearest you.

M

FCC Statement (United States Only)

This equipment has been tested and found to comply with the limits for a Class B digital device, pursuant to part 15 of the FCC rules. These limits are designed to provide reasonable protection against harmful interference in a residential installation. This equipment generates, uses and can radiate radio frequency energy and, if not installed and used in accordance with the instructions, may cause harmful interference to radio communications. However, there is no guarantee that interference will not occur in a particular installation. If this equipment does cause harmful interference to radio or television reception, which can be determined by turning the equipment off and on, the user is encouraged to try to correct the interference by one or more of the following measures:

- Reorient or relocate the receiving antenna.
- Increase the separation between the equipment and receiver.
- Connect the equipment into an outlet on a circuit different from that to which the receiver is connected.
- Consult the dealer or an experienced radio/TV technician for help.

NOTE: Changes or modifications not expressly approved by the manufacturer responsible for compliance could void the user's authority to operate the equipment.

N

Problems and Solutions Guide

IMPORTANT! If you experience a problem with your vehicle, first check the Problems and Solutions Guide below. If you still experience a problem, please contact Power Wheels® Consumer Relations, toll-free at **1-800-348-0751** between 8 AM and 6 PM (EST) Monday through Friday. Or, contact your local Power Wheels® authorized service center. For the location nearest you, please refer to the Authorized Service Center list beginning on page 32.

Problem	Possible Cause	Solution
Vehicle does not run	Undercharged battery	Charge the battery. A new battery should have been charged for at least 18 hours before using the vehicle for the first time. After first-time use, recharge the battery for at least 14 hours after each use. Never charge the battery longer than 30 hours.
		Check all connectors. Make sure the charger connector is plugged into the battery, and that the charger is plugged into the wall.
		Make sure power flow to the wall outlet is "ON".
	Charger is not working	There is no sure way to tell if your charger is working unless you have a volt meter. If you suspect there is a problem with your charger, contact your local Power Wheels® authorized service center. They can test your charger for you.
	Tripped thermal fuse	Each Power Wheels® 12 volt battery has a built-in thermal fuse. A thermal fuse may "trip" and shut down operation of the vehicle if the vehicle is overloaded or the driving conditions too severe. The fuse will automatically reset itself after approximately 25 seconds, allowing the vehicle to resume normal operation. To avoid repeated automatic shutdowns, do not overload the vehicle by exceeding the 130 lb. maximum weight capacity or by towing anything behind the vehicle. Do not drive up hills or run into fixed objects, which can cause the wheels to stop spinning while power is still being supplied to the motors. If a thermal fuse continually trips, contact your local Power Wheels® authorized service center.
	Loose wire or loose connectors	Check all wires and connectors. Make sure the motor harness connector is plugged into the battery, and that there are no loose wires around the motors.
	Dead battery	If your battery is old or if you have not followed Battery Care instructions, your battery may be dead. If you are unsure whether or not the battery is dead, you can have it tested at your local Power Wheels® authorized service center.
	Electrical switch damage	The electrical switches can become corroded due to exposure to water or moisture, or can jam due to loose dirt, sand or gravel. Contact your local Power Wheels® authorized service center for diagnosis and repair.
Motor damage	Contact your local Power Wheels® authorized service center for diagnosis and repair.	

Problems and Solutions Guide

Problem	Possible Cause	Solution
Vehicle was running but suddenly stopped	Loose wire or loose connectors	Check all wires and connectors. Make sure the motor harness connector is plugged into the battery, and that there are no loose wires around the motors.
	Tripped thermal fuse	Each Power Wheels® 12 volt battery has a built-in thermal fuse. A thermal fuse may “trip” and shut down operation of the vehicle if the vehicle is overloaded or the driving conditions too severe. The fuse will automatically reset itself after approximately 25 seconds, allowing the vehicle to resume normal operation. To avoid repeated automatic shutdowns, do not overload the vehicle by exceeding the 130 lb. maximum weight capacity or by towing anything behind the vehicle. Do not drive up hills or run into fixed objects, which can cause the wheels to stop spinning while power is still being supplied to the motors. If a thermal fuse continually trips, contact your local Power Wheels® authorized service center.
Short run time (Less than 1 - 3 hours per charge)	Undercharged battery	Charge the battery. A new battery should have been charged for at least 18 hours before using the vehicle for the first time. After first-time use, recharge the battery for at least 14 hours after each use. Never charge the battery longer than 30 hours.
		Check all wires and connectors. Make sure the charger connector is plugged into the battery, and that the charger is plugged into the wall.
		Make sure power flow to the wall outlet is “ON”.
	Overcharged battery	Do not charge the battery longer than 30 hours. If you suspect that your battery is damaged as a result of overcharging, contact your local Power Wheels® authorized service center. They can test your battery for you.
	Battery is old and will not accept full charge	Even with proper care, a rechargeable battery does not last forever. Average battery life is 1 to 3 years depending on vehicle use and use conditions. Replace the battery with a new Power Wheels® 12 volt rechargeable battery. Do not substitute parts.
	Tripped thermal fuse	Each Power Wheels® 12 volt battery has a built-in thermal fuse. A thermal fuse may “trip” and shut down operation of the vehicle if the vehicle is overloaded or the driving conditions too severe. The fuse will automatically reset itself after approximately 25 seconds, allowing the vehicle to resume normal operation. To avoid repeated automatic shutdowns, do not overload the vehicle by exceeding the 130 lb. maximum weight capacity or by towing anything behind the vehicle. Do not drive up hills or run into fixed objects, which can cause the wheels to stop spinning while power is still being supplied to the motors. If a thermal fuse continually trips, contact your local Power Wheels® authorized service center.

Problems and Solutions Guide

Problem	Possible Cause	Solution
Vehicle runs sluggishly	Undercharged battery	Charge the battery. A new battery should have been charged for at least 18 hours before using the vehicle for the first time. After first-time use, recharge the battery for at least 14 hours after each use. Never charge the battery longer than 30 hours.
		Check all connectors. Make sure the charger connector is plugged into the battery, and that the charger is plugged into the wall.
		Make sure power flow to the wall outlet is "ON".
	Battery needs charging	Be sure to charge the battery after each use.
	Battery is old and will not accept full charge	Even with proper care, a rechargeable battery does not last forever. Average battery life is 1 to 3 years depending on the vehicle use and use conditions. Replace the battery with a new Power Wheels® 12 volt rechargeable battery. Do not substitute parts.
	Vehicle is overloaded	Make sure you do not overload the vehicle by allowing more than 2 riders at one time, by exceeding the 130 lb. maximum weight capacity, or by towing objects behind the vehicle.
	Driving conditions are too stressful	Use only on generally level ground.
Vehicle runs in low speed, but does not run in high speed Please Note: The vehicle is designed to operate in low speed only in reverse 🚗.	High speed lock-out not disconnected	The vehicle was pre-set to run only in low speed. To allow the vehicle to run in low and high speed, you must disconnect the High Speed Lock-Out. Follow the instructions on page 27 to remove the High Speed Lock-Out screw.
When the foot pedal is pressed only one rear wheel spins	Operation of vehicle in low speed	It is possible that only one rear wheel may spin when both rear wheels are raised off the ground and the vehicle is in low speed. This does not necessarily indicate a problem. Check for proper operation of the drive system by raising the rear wheels off the ground and pressing the foot pedal. If only one rear wheel spins, carefully press your hand on the spinning wheel to slow it down. The other rear wheel should begin to spin. If the other rear wheel does not begin to spin, there may be a problem with the vehicle. Contact your local Power Wheels® authorized service center for diagnosis and repair.
Sometimes the vehicle doesn't run, but other times it does	Loose wire or connector	Check all wires around the motors and all connectors to make sure they are tight.
	Motor or electrical switch damage	Contact your local Power Wheels® authorized service center for diagnosis and repair.

Problems and Solutions Guide

Problem	Possible Cause	Solution
When the foot pedal is pressed, the vehicle won't run without a push	Loose wire or connector	Check all wires around the motors and all connectors to make sure they are tight.
	"Dead Spot" on motor	Contact your local Power Wheels® authorized service center for diagnosis and repair.
Loud clacking or grinding noise from a motor-gearbox	Broken gears	Contact your local Power Wheels® authorized service center for diagnosis and repair.
Sound box not working	Improperly installed batteries	The sound box requires three "AA" alkaline batteries for operation. Make sure the batteries are properly installed in the sound box.
	Dead batteries	Replace the sound box batteries with three, new "AA" (LR6) alkaline batteries.
Charger gets warm during use	It is normal for some chargers to get warm during use and is not reason for concern.	No action required.
		If your charger does not get warm during use, it does not mean that it is not working properly.
Battery makes a sizzling or gurgling noise when charging	It is normal for some battery to make noise and swell slightly while charging and is not reason for concern.	No action required.
		If your battery does not make noise or swell slightly during charging, it does not mean that it is not accepting the charge.

If, after reviewing the Problems and Solutions Guide, the vehicle still fails to operate, please contact your nearest authorized service center (see page 32) or contact Power Wheels® Consumer Relations toll-free at **1-800-348-0751**.

Hint: For faster service when calling Consumer Relations, completely charge the batteries before calling and have the following available by the phone:

- vehicle,
- vehicle model number (see sticker in battery compartment),
- vehicle production run number (see sticker in battery compartment).

O

Bumper-to-Bumper* Limited Warranty

***One year limited warranty from the date of purchase on the Power Wheels® vehicle.
Six month limited warranty on the 12 volt battery.**

For the original purchaser, this one year limited warranty covers the Power Wheels® ride-on vehicle (purchased from Power Wheels®) against defects in materials and workmanship. The six month limited warranty applies only to the 12 volt battery included by Power Wheels® with the original purchase of the vehicle.

This warranty covers normal use and does not cover the Power Wheels® vehicle or battery if damaged by unreasonable use, neglect, accident, abuse, misuse, improper service or other causes not arising out of defects in materials or workmanship. Evidence of any attempt at consumer repair will void this warranty.

THIS WARRANTY DOES NOT COVER, AND IS INTENDED TO EXCLUDE, ANY LIABILITY ON THE PART OF POWER WHEELS®, WHETHER UNDER THIS WARRANTY OR IMPLIED BY LAW OR ANY INDIRECT OR CONSEQUENTIAL DAMAGES FOR BREACH OF WARRANTY. SOME STATES DO NOT ALLOW THE EXCLUSION OR LIMITATION SO THIS LIMITATION MAY NOT APPLY TO YOU. Should you need service or assistance with your vehicle during the warranty period, do not return the vehicle to the store. Power Wheels® has provided a nationwide network of authorized service centers. Please refer to the list in this manual. Power Wheels® is continually expanding our Authorized Service Center Network. If there is not an authorized service center in your area, please call Consumer Relations for information, 1-800-348-0751. THIS WARRANTY GIVES YOU SPECIFIC LEGAL RIGHTS, AND YOU MAY ALSO HAVE OTHER RIGHTS WHICH MAY VARY FROM STATE TO STATE. PLEASE SAVE YOUR ORIGINAL SALES RECEIPT.

P

Authorized Service Centers

We are continually expanding our Authorized Service Center Network. Please check this listing for the independently owned and operated Authorized Service Center nearest you. If there is not one in your area, please call Power Wheels® Consumer Relations at 1-800-348-0751.

ALABAMA

BIRMINGHAM - Frigid Service & Sales, 701 Graymont Ave. North, 35203, (205) 323-5831
BIRMINGHAM - Frigid Service & Sales, 1861 Centerpoint Rd., 35215, (205) 853-3952
BIRMINGHAM (HOMEWOOD) - Frigid Appliance Center, 154 West Valley Ave., 35209, (205) 942-3959
DECATUR - Peddler II, 1000 B Bellline Road, 35603, (205) 350-1044
DOTHAN - Bill's Appliance Service, 208 Bic Road, P.O. Box 1192, 36303, (334) 792-7746
DOUGLAS - Brown Hardware, Highway 75, 35964, (205) 593-6086
HUNTSVILLE - C & G Appliance, 307 Jordan Lane, 35805, (205) 837-4551
MOBILE - Foster's Appliance Repair, 2610 Halls Mill Road, 36606, (251) 479-3567
NORTHPORT - Appliance Connection, 2703 McFarland Blvd, 35476, (205) 339-2774
TROY - Specialty Batteries, 1317 S. Brundidge St., P.O. Box 1045, 36081, (334) 670-6800

ALASKA

FAIRBANKS - Appliance Service Co. Inc., 700 23rd Ave., 99701, (907) 452-1000

ARIZONA

GLENDALE - Elliott Electric Appliance Service, 6242 N. 43rd Avenue, 85301, (623) 937-2613
SCOTTSDALE - Elliott Electric, 7515 E. McDowell Road, 85257, (480) 946-7487

ARKANSAS

FT. SMITH - Bromley Appliance Service, 614 North 10th Street, 72901, (501) 782-9646
GLENWOOD - Gardening Plus, 110 North 2nd Street, 71943, (870) 356-2233
JONESBORO - Best Sewing & Vacuum & Repair, 2235 S. Caraway Road, 72401, (501) 935-4739, (800) 844-4739
LITTLE ROCK - C & W Tool Repair, 1303 W. Markham, 72201, (501) 374-1911
ROGERS - Kressel's Vacuum & Repair, 115 North 5th Street, 72756, (479) 636-7894
STUTTGART - Davis Lumber Company, 301 East Michigan, 72160, (501) 673-3601

CALIFORNIA

BAKERSFIELD - Southwest TV, 6300 White Lane, Suite B, 93309, (805) 397-4940
CONCORD - CES Concord, 1170G Burnett Avenue, 94520, (925) 827-1011
COVINA - CES Covina, 612 S. Shoppers Lane, 91723, (626) 915-4935, (800) 485-9559
ESCONDIDO - Mart's Appliance Service, 743 E. Valley Parkway, 92025, (760) 745-7711, (800) 313-7715
FORT JONES - Ft. Jones Frontier Hardware, 11911 Main Street, 96032, (916) 468-2266
FRESNO - Valley Small Appliance, 4005 E. Ashlan Avenue, 93726, (209) 224-5530
FULLERTON - CES Fullerton, 1208 East Ash Avenue, 92631-5020, (714) 870-0900
LAKE FOREST - California Electric Service, 22500 Muirlands Suite B, 92630, (949) 586-9440
LOS ALAMITOS - Folsom Electric, 11284 Los Alamitos Blvd., 90720, (562) 596-7895
SALINAS - SRS Hobbies, 407 Front Street, 93901, (831) 424-4044
SANTA ROSA - Hardisty's Inc., 1565 Farmers Lane, 95405, (707) 545-0535
SKY FOREST - Sky Forest Electrical, 28670 Highway 18, P.O. Box 496, 92385, (909) 337-0811
VENTURA - Appliance Advantage, 4547 Telephone Rd., Suite A, 93003, (805) 650-0716, (800) 960-2125
YUCAIPA - Aire-Rite Heating & A/C, 34724 Yucaipa Blvd., 92399, (909) 797-2788

COLORADO

COLORADO SPRINGS - Nelson Appliance Repair, Inc., 1220 E. Fillmore, 80907, (719) 635-1928, (800) 291-8010
DENVER - Appliance Service, 4272 Lowell Blvd., 80211, (303) 458-1109,
GRAND JUNCTION - V & L Appliance Service, 591 25 Road Suite A6, 81505, (970) 243-3360
PUEBLO - Direct Maytag Home Appliance, 1407 Santa Fe Drive, 81006, (719) 543-0777

CONNECTICUT

HARTFORD - Hartford Element & Appliance Service, 1500 Albany Ave., 06112, (860) 246-7424, (800) 787-7977
NEW HAVEN (HAMDEN) - New Haven Appliance Service Center, 1627 Dixwell Ave., 06514, (203) 288-6229
SHELTON - Jeff's Appliance & Vacuums, 66 Center Street, 06484, (203) 924-8997
STAMFORD - Appliance Servicercenter of Stamford, 15 Cedar Heights Road, 06905, (203) 322-7656

DELAWARE

WILMINGTON - Lyons Hardware, Inc., 2021 Kirkwood Highway, 19805, (302) 995-1260
SHELBYVILLE - Ahern & Sons Inc., #2 S. Dupont Hwy., RT #2, 19975, (302) 436-4100

FLORIDA

ATLANTIC BEACH - First Coast Repair, 25 Seminole Road, 32233, (904) 246-4616
BOYNTON BEACH - Discount Vacuum, 1865 W. Woolbright Road, 33425, (561) 243-9999
CALLAHAN - Arc Electronic Repair, 951 Blackhills Dr., Suite D, 32011, (904) 879-3556
CAPE CORAL - Family Hardware/Do-It Express, 622 SE 47th Terrace, 33904, (941) 542-6365
DELRAY - Mister Fix It, 209 S.E. 2nd Avenue, 33483, (561) 243-9999
GAINESVILLE - Authorized Appliance Service Co., 2614 S.W. 34th Street, 32608, (352) 375-3886
JACKSONVILLE - Authorized Appliance Service Co., 6120-5 Powers Avenue, 32217, (904) 737-5312
LAKECITY - S&S Mowers Inc., RT. 10, Box 35916, 32025, (904) 755-2957
LAKELAND - Electric Shaver & Small Appliance, 4243 S. Florida Avenue, 33813, (863) 644-4690
MIAMI - Goodman's Sales & Service, 13130 SW 128 Street #3, 33186, (305) 278-8822
NORTH PALM BEACH - Appliance Doctors, 450 Northlake Blvd., 33408, (407) 845-0377
OCALA - Vacuums Center and Gifts, 422 South Pine Street, #103, 34474, (352) 732-6335
ORLANDO - Southern Electric Co., 510 N. Parramore Avenue, 32801, (407) 841-8824, (800) 940-8824

Authorized Service Centers

HARRISBURG - C.A. Juillard, Inc., 2301 North Seventh Street, 17110, (717) 233-3488, (800) 633-3488

JOHNSTOWN - Cambria Hardware, West Hills Square, 1765 Goucher Street, 15905, (814) 255-4752

KINGSTON - Vac-Way Appliance & Service, 595 Market Street, 18704, (570) 288-4508

LANCASTER - Colonial Electronics Inc., 241 West Roseville Suite #2t, 17601, (717) 560-2222

McDONALD - Small Engine World, 130 East O'Hara Street, 15057 (724) 926-3330

MOSCOW - Vac-Way Appliance & Service, RR #6 Box 6237, 18444, (570) 842-4668

ORANGEVILLE - Hess Do-It Center & Market, Route 487, Box 4 M, 17859, (570) 683-5162

PHILADELPHIA - Appliance Care/Service Corp., 6407 Rising Sun Ave., 19111, (215) 725-3112

PHILADELPHIA (COLLINGDALE) - J.F. Kenney Electric, 308 Mac Dade Blvd, 19023, (610) 534-7373

PITTSBURGH - Batteries Plus, 3912 Library Road, 15234, (412) 531-1690

READING - Electric Repair Co., 502-504 N. 9th Street, 19604, (610) 376-5444, (800) 422-8171 (PA only)

SCRANTON - Vac-Way Appliance and Service, 601 Cedar Avenue, 18505, (570) 343-1121

SHAMOKIN DAM - Willard Battery Outlet, 138 S. Old Trail, 17876, (570) 743-5383

SHIPPENVILLE - Battery Warehouse, 11041 Rt 322 Riverhill, 16254, (814) 227-2123

TROY - Hoover Hardware, 9 Canton, 16947, (800) 251-2156, (570) 297-3445

WILKES-BARRE - Walter Hardware DO-IT Center, 57 N. Welles Street, 18702, (570) 823-1406

PUERTO RICO

MAYAGUEZ - Cardona Appliance Service, 8 San Vicente Street, 00680, (787) 832-8366

MAYAGUEZ - AAA Melendez Rental, Calle Post 319 Sur, 00680, (787) 832-5225

PONCE - Ferreteria Vivian, Centro Comercial, Los Caobos #7, 00731, (787) 840-0677

PUERTO NUEVO - Buckeye Service, 1013 Jesus T. Pinero Avenue, 00920, (787) 782-6175

SOUTH CAROLINA

AIKEN - Dunagan's Sewing & Vacuum, 1536 Whiskey Road, 29803, (803) 649-6777

BELTON - American Pro Office Equipment, 309 Forest Lane, 29627, (864) 338-9041

CHARLESTON HEIGHTS - Dorchester Electric Service, 3575 Dorchester Avenue, 29405, (803) 747-5221

COLUMBIA - Authorized Appliance Servicer, 1811 Taylor Street, 29202, (803) 254-8414

DARLINGTON - Hobbies and More, 1570 South Main Street, 29532, (803) 393-0355, FAX (803) 393-8171

EASLEY - Trails End Bicycles, 110 Pendleton Street, 29640, (864) 306-1684

FORT MILL - Service Engines & Supply, Inc., 3023 Highway 21, 29715, (803) 548-1778, (800) 845-1191

GREENWOOD - Bikes & Boards & Mopeds, 203A Montague Avenue, 29646, (864) 229-2453

SENECA - Seneca Micronics, 110 East North First, 29678, (864) 882-6593

SPARTANBURG - Jones Electronic Services, 9104 Greenville Hwy, 29301, (864) 576-0482, (800) 677-0482

SOUTH DAKOTA

WINNER - Nelson's Electronics Inc., 422 West 2nd Street P.O. Box 369, 57580, (605) 842-1611, (888) 842-1699

TENNESSEE

CHATTANOOGA - Consumer Service Company, 2607 E 47th Street, 37407, (423) 867-8629

DANDRIDGE - Save More Sales, 1291 W Hwy. 25-70, 37725, (865) 397-1255

KNOXVILLE - Appliance & Electric Service Company, 3613 Sutherland Avenue, 37919, (865) 588-5395, (800) 585-5395

KNOXVILLE - Authorized Appliance Service Center, 1206 North Central Street, 37917, (865) 524-3376

MEMPHIS - Camp Electric Co., 647 Madison Avenue, 38103, (901) 527-7543, (800) 238-7345

NASHVILLE - Webb's Appliance Service Center, Inc., 1519 Church Street, 37203, (615) 329-4079, (800) 899-4079

PINEY FLATS - Appalachian Small Engines, 6192 Hwy 11E, 37686, (423) 391-0185, (800) 219-8810

Texas

AMARILLO - Reid's Appliance Service, Inc., 906 Georgia, 79102, (806) 373-8812

CORPUS CHRISTI - Brand Appliance & Microwave, 2751 South Staples, 78404, (361) 854-1851

DALLAS - All Type Sales and Service Co., Inc., 2835 Irving Blvd., 75207, (214) 638-1170, (800) 717-1170

DALLAS - Pearsol Appliance Co., 3127 Main Street, 75226, (214) 939-0930

FT. WORTH - Ft. Worth Shaver and Appliance Center, 1900 Montgomery Street, 76107, (817) 335-9970, (800) 816-2126

HOUSTON - Brand Service Center, 5727 Richmond Avenue, 77057, (713) 782-8910

KERRVILLE - Lopez Electric, 425 McFarland Drive, 78028, (830) 896-1171, (888) 520-6415

KILLEEN - Master Tech Repairs, 501 West Elms Road Suite #10, 76542, (254) 618-5480

LONGVIEW - Foster's, 3315 Gilmer Road, 75604, (903) 759-3939

LUBBOCK - Minter's, 4409 50th Street, 79414, (806) 799-3170

LUFKIN - STS Audio and Video, 1505 South First Street, 75901, (936) 639-4529

MC ALLEN - All-In-One Repair Shop, 2313 Lark Avenue, 78504, (210) 682-8858

MIDLAND - Midland Tool Specialty, 918 South Main, 79701, (915) 682-4647, (800) 499-0755

PASADENA - Larry's TV Service, 3520 Fairmont Parkway, 77504, (713) 998-0122

ROMA - True Value Hardware, 1004 E. Highway 83, (210) 849-1322

SAN ANTONIO - Texas Shaver & Appliances, 8121 Callaghan Road, 78230, (210) 344-8577

TEMPLE - Master Tech Repairs, 2819 West Avenue North, 76504, (817) 773-8991

WICHITA FALLS - Allens Appliance Service, 2403 10th Street, 76309, (940) 766-2635

UTAH

OREM - The Mending Shed, 1735 South State Street, 84058, (801) 225-8012, (800) 339-9297

SALT LAKE CITY - Appliance Service Center, Inc., 1475 South Main, 84115, (801) 467-6361, (800) 377-8020

WILLARD - Peak Electric Co Inc, 780 N 200 W, 84340, (435) 723-7104

VIRGINIA

ALEXANDRIA - D & S Repair Service, 20 South Dove Street., 22314 (703) 683-0009

FREDERICKSBURG - Fredericksburg Electrical Repair, Inc., 10825-D Houser Drive, 22408, (540) 891-7911

HAMPTON - Commonwealth Electric Shavers, 18 W. Mercury Blvd., 23669, (757) 722-0745

HARRISONBURG (PENN LAIRD) - J.L. Maintenance & Repair, Inc., Rt 2, Box 308, 22846, (540) 289-9844

LOUISA - Lakeside Electric Const., 4344 Davis Highway Suite 2, 23093, (540) 967-3000

RICHMOND - Wells Inc., 3502 Jefferson Davis Highway, 23234, (804) 233-6726

ROANOKE - Commonwealth Shaver & Appliance Service, 5524 Williamson Road, NW, 24012, (540) 366-6038

VIRGINIA BEACH - Commonwealth Electric Shaver, 549 Newton Road #108, 23462, (757) 490-0500

WINCHESTER - Battery Mart of Winchester, Inc., 1 Battery Dr., 22601, (703) 655-0065

WASHINGTON

ARLINGTON - Cordz Limited, 1202 Park Hill Drive, 98223, (360) 435-2471

KENNEWICK - At Home Electronic Services Inc., 313 East First Avenue, 99336, (509) 586-3800

SEATTLE - Action Small Appliance, 2125 2nd Avenue, 98121, (206) 448-2020

SEATTLE (BELLEVUE) - Action Small Appliance Service, 1500 145th Place, SE, 98007, (206) 643-9806

SPOKANE - Aalwaco Appliance, N 3007 Argonne Road, 99212, (509) 487-1089

WEST VIRGINIA

BECKLEY - Jerry's Detectors, Vacuum & Appl. Svc., 411 Second Street. 25801, (304) 253-3521

CHARLESTON - Sneed's Vacuum & Sewing Center, 2614 7th Avenue, 25312, (304) 744-3670, (800) 245-8048 (WV only)

HUNTINGTON - Mike's Appliance and Service, 212 20th Street, 25703, (304) 522-0737

MARTINSBURG - Battery Mart, 1494 Winchester Avenue, 25401, (304) 267-7033

VIENNA - T & S Lawn - Landscape & Power Equipment, 1100 10th Street, 26105, (304) 295-7633 (800) 559-7633

WHEELING - Fast Service Center, 1058 Main Street, 26003, (304) 232-5561 (800) 874-4090

WISCONSIN

ELK MOUND - Egg Electronics, E9485-A County Road EE, 54739, (715) 879-4634

GREENBAY - Kastle Carts, Inc., 2301 N. Irwin Ave., 54313, (414) 465-6121

LACROSSE - Paul's Shaver Service, 1224 Caledonia Street, 54603, (608) 782-6291

MILWAUKEE - Abby Electronics, 4295 S. 20th Street, 53221, (414) 281-6602

MILWAUKEE - Brand Appliance Repair, Inc., 6601 W Oklahoma Avenue, 53219, (414) 541-4340

MONONA - Kiefers Shaver & Appliance, 4511 Monona Drive, 53716, (608) 221-3322

IMPORTANT!

DO NOT use this vehicle for the first time until you have charged the battery for 18 hours.

Remember to...

- ✓ Charge the battery immediately after each use.
- ✓ Charge the battery once a month during storage, even if the vehicle has not been used.

Failure to follow these instructions will permanently damage your battery and void your warranty. Please refer to the Battery Care Section in this manual for more information. For high speed operation, please refer to the How to Operate Your Vehicle Section in this manual for more information.

DO NOT Return your Vehicle to the Store!



Over 400 Authorized
Service Centers:

If you are missing parts or need assistance,
please call us toll-free:

Power Wheels® Consumer Relations

1-800-348-0751

8 AM - 6 PM EST, Monday through Friday.

Or contact your local, **independently owned and operated**
Power Wheels® Authorized Service Center.

For the location nearest you, refer to the
Authorized Service Center list in this manual.



www.fisher-price.com

Fisher-Price, Inc., a subsidiary of Mattel, Inc., East Aurora, New York 14052, U.S.A.

©2002 Mattel, Inc. All Rights Reserved.