

Fisher-Price®

Instructions

Backyard Treehouse™

Model Number: 75972



If you experience a problem with this product, or are missing a part, please call us at 1-800-432-KIDS, rather than return this product to the store.

Please save these instructions for future reference.

Adult assembly is required.

No tools needed for assembly.

Weight Limit: 300 lbs.

The Fisher-Price® Backyard Treehouse™ is designed to easily attach to other Fisher-Price® outdoor playsets equipped with a connecting feature. Do not attach other manufacturer's playsets to this Fisher-Price® product.

Ages: 1½ to 6 years.

WARNING

Falls onto hard surfaces could result in head or other serious injuries.
Never put on concrete, asphalt, wood, packed earth or any other hard surface.
Carpet over hard floors may not prevent injury.

CAUTION

Please keep small parts and plastic bags out of children's reach.
Dispose of plastic bags properly.

Important Safety Information

- Do not climb on the Backyard Treehouse™ until it has been properly assembled by an adult.
- Only five children should use the Backyard Treehouse™ at one time.
- The total weight limit for the Backyard Treehouse™ is 300 lbs.
- As with any climbing equipment, adult supervision is essential to ensure that children play safely.
- Be sure children are dressed appropriately to avoid potential hazards while using the Backyard Treehouse™. Children should not wear loose clothing such as ponchos or scarves. Attire should include well-fitting shoes.
- Do not climb on the Backyard Treehouse™ when it is wet.
- Do not use the Backyard Treehouse™ in a manner that is unintended.
- Do not attach other manufacturer's playsets to this Fisher-Price® product.

Placement and Play Area Surfacing

Before assembling this product, select and prepare a play area.

Select a Play Area

Select an area on level ground at least 6 feet from any structure or obstruction such as a fence, garage, house, overhanging branches, washing lines or electrical lines.

Prepare a Surface

Following are guidelines from the Consumer Product Safety Commission's Handbook for Public Playground Safety to minimize injuries that can result from falls. These guidelines apply to playground equipment including but not limited to swing sets and climbing equipment.

Hard surfacing materials are not suitable for use under this equipment. Earth surfaces such as soils and hard packed dirt are also not recommended because their shock absorbing properties can vary depending on climatic conditions such as moisture and temperature. Grass and turf are not recommended because their effectiveness in absorbing shock during a fall can be reduced considerably due to wear and environmental conditions.

Acceptable surfacing materials are available in two basic types: loose-fill and unitary.

Loose-fill materials can have acceptable shock absorbing properties when installed at a sufficient uncompressed depth of at least 6 inches. These materials include sand (fine and coarse), gravel (fine and medium) and shredded wood products (wood mulch, shredded bark, wood chips). Loose-fills should not be installed over hard surfaces such as asphalt or concrete.

The depth of any loose-fill material could be reduced during use resulting in different shock-absorbing characteristics. For this reason, a depth greater than the minimum recommended should be considered.

Unitary materials are generally rubber mats or a combination of rubber-like materials held in place by a binder that may be poured in place at the playground site and cures to form a unitary shock absorbing surface.

Maintenance

Periodically check to be sure equipment has adequate protective surfacing under and around it. Inspect surfacing material for deterioration. Check loose surfacing material for foreign objects or debris. Also look for compaction and reduced depth, with special attention to heavy use areas such as those under swings and slide exit regions.

Message to Parents

Thank you for purchasing the Fisher-Price® Backyard Treehouse™. The Backyard Treehouse™ should be assembled by an adult, preferably by two adults. Please read these instructions carefully and identify all parts before assembly. Refer to the parts illustration on the next page for identification.

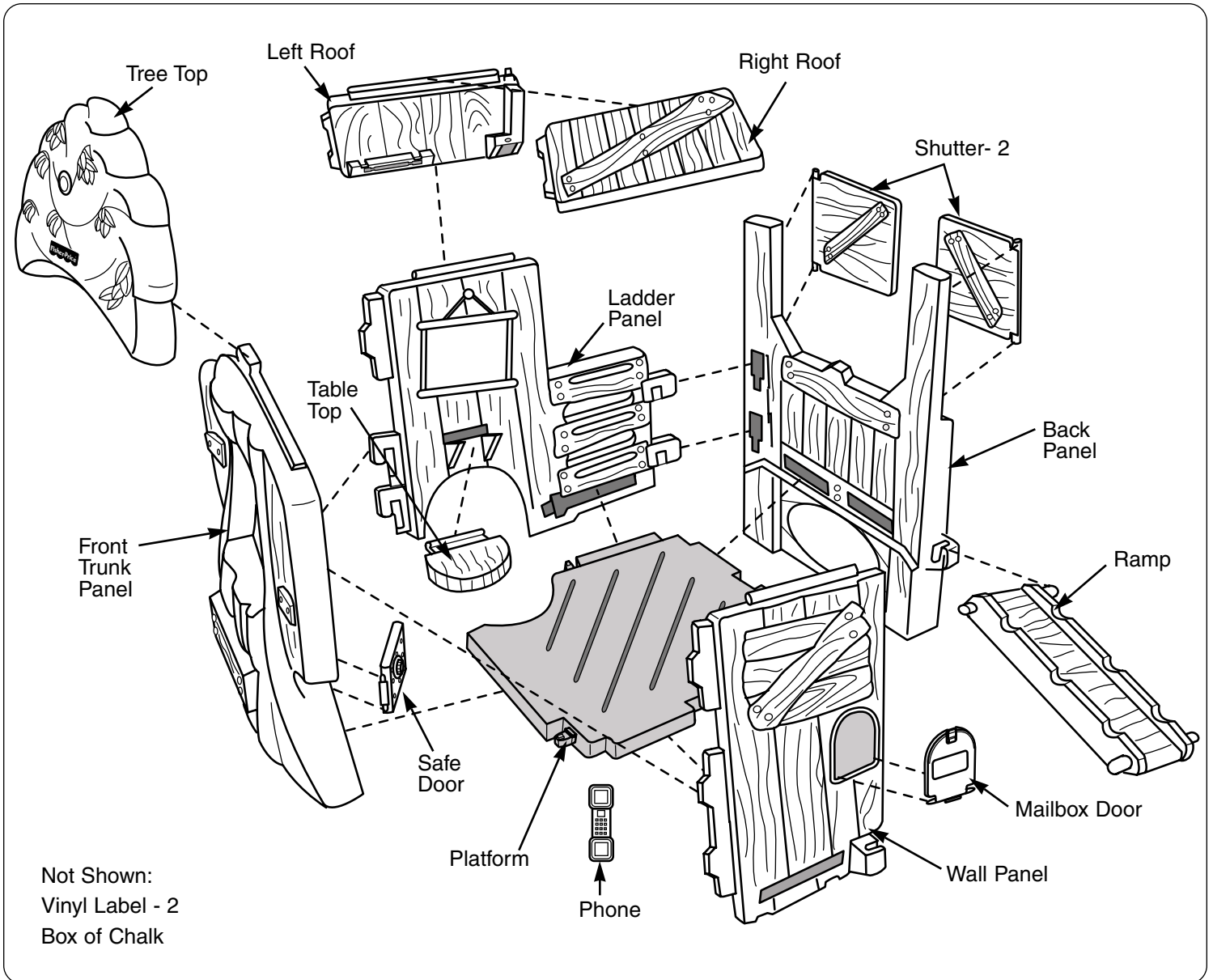


Questions? We'd like to hear from you!

Call Fisher-Price® Consumer Affairs, toll-free at **1-800-432-KIDS**, 8 AM - 6 PM EST Monday through Friday. Hearing-impaired consumers using TTY/TDD equipment, please call 1-800-382-7470. Or, write to: Fisher-Price® Consumer Affairs, 636 Girard Avenue, East Aurora, New York 14052.

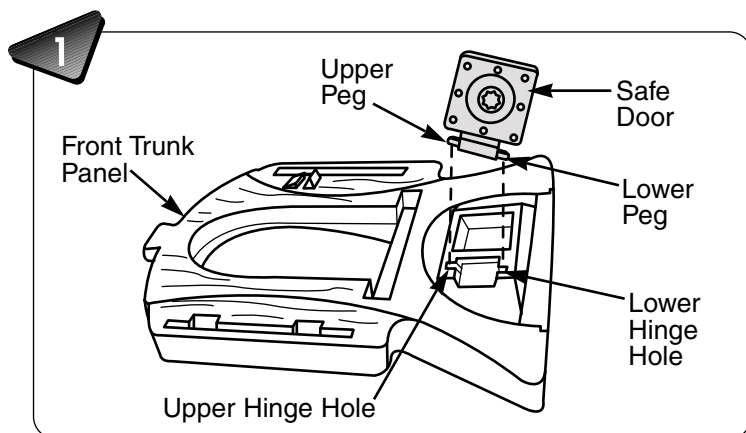
Parts

If you experience a problem with this product, or are missing a part, please call us at 1-800-432-KIDS, rather than return this product to the store.



- Please save all packaging material until assembly is complete to ensure that no parts are discarded.
- Before assembling the Backyard Treehouse™, please wipe each part with a clean, dry cloth.

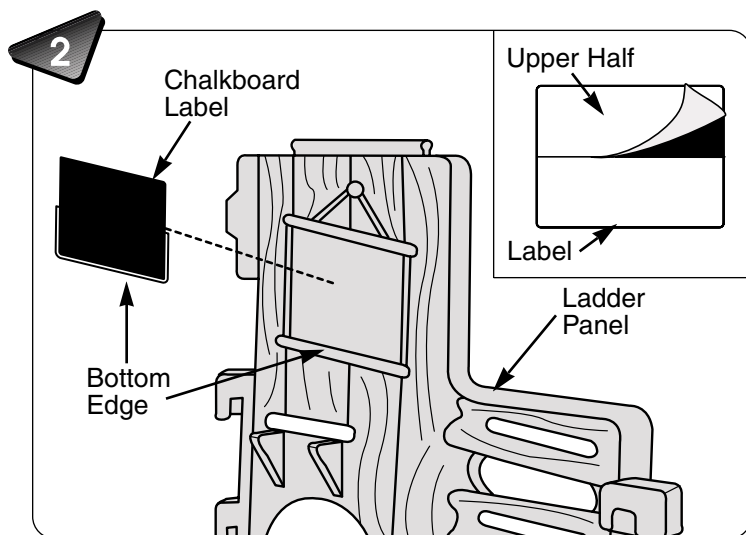
Assembly



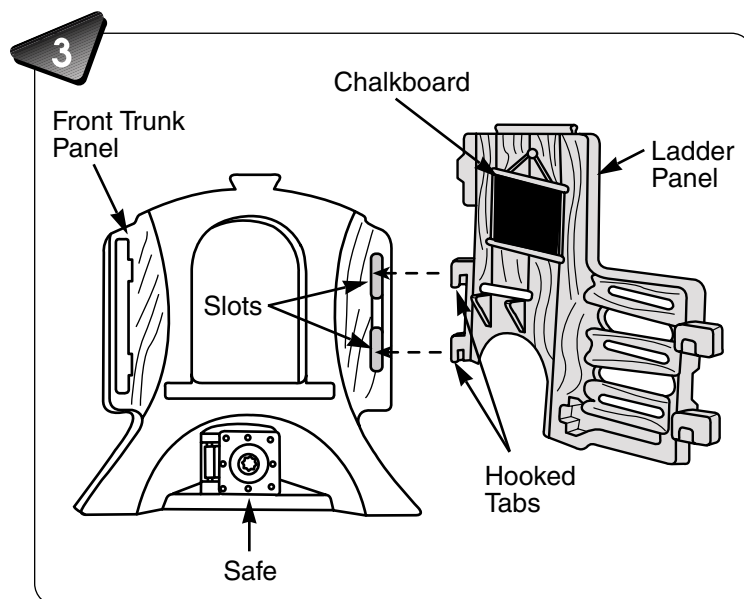
- Position the front trunk panel on a flat surface with the inside facing up.

Helpful Hint: The safe door may be difficult to attach to the front trunk panel. Place a cloth under the front trunk panel to protect the surface. Apply a small amount of liquid soap to the pegs on the safe door.

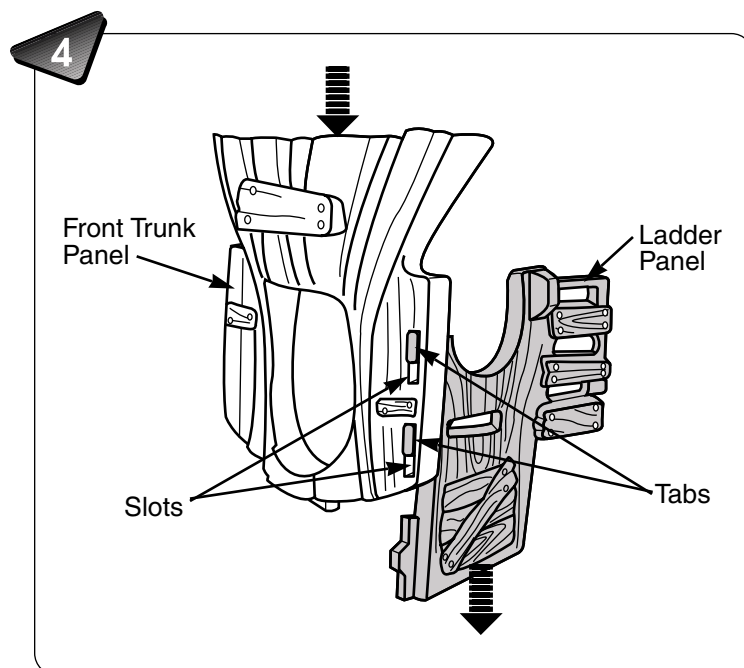
- Position the safe door with the dial facing up. Insert the safe door lower peg into the lower hinge hole in the front trunk panel.
- Firmly push down on the safe door to snap the upper peg into the upper hinge hole in the front trunk panel.



- Locate the ladder panel.
- Make sure the area where the chalkboard label will be applied is clean and dry.
- Bend the chalkboard label in half lengthwise.
- Remove the backing from the upper half of the label.
- Align the bottom edge of the label with the bottom edge of the chalkboard outline on the ladder panel.
- Apply the top half of the label to the ladder panel and smooth the label downward.
- Remove the backing from the lower half of the label.
- Smooth the label downward.



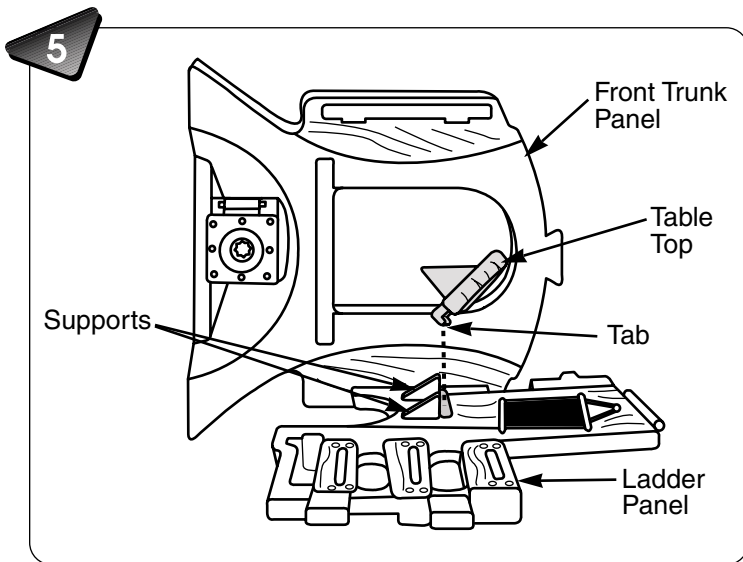
- Stand the front trunk panel upright.
- Position the ladder panel so that the chalkboard is toward the safe on the front trunk panel.
- Insert the hooked ladder panel tabs into the slots in the front trunk panel.



Helpful Hint: You may need the help of another person with this assembly step.

- Turn the assembly upside down so that the ladder panel rests on a flat surface.
- Lift the assembly up and pound the ladder panel onto the surface to lock the tabs on the ladder panel into the slots in the front trunk panel.

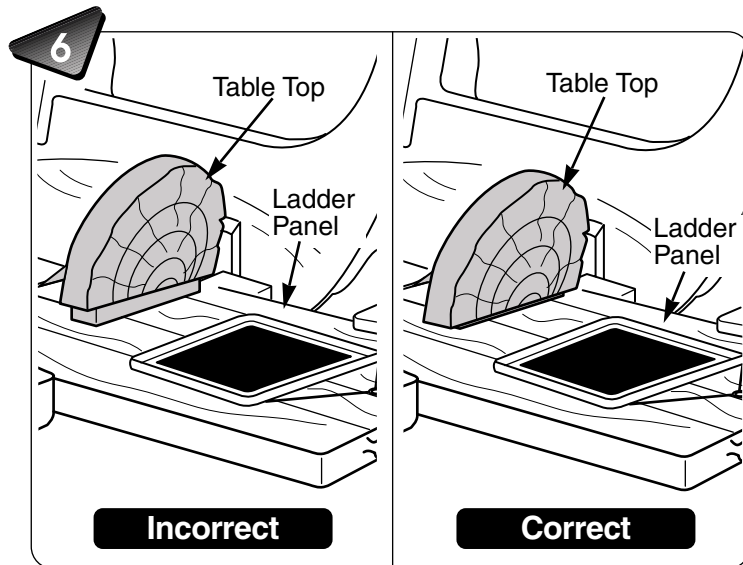
Assembly



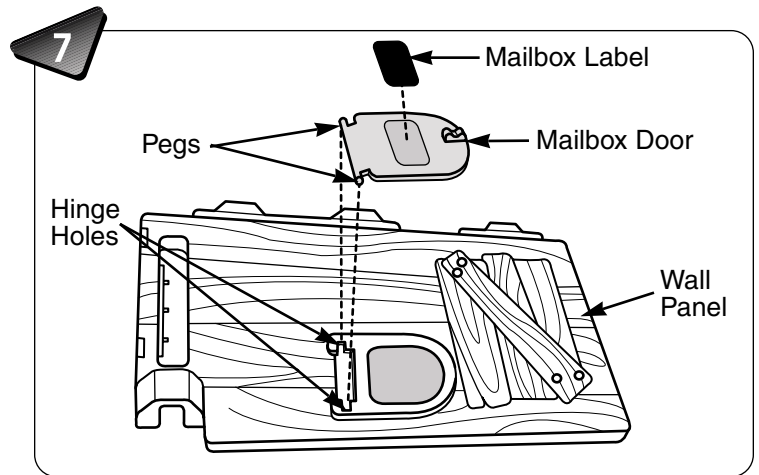
- Position the assembly so that the ladder panel is laying on a flat surface.

Helpful Hint: Push the front trunk panel back, to allow for easier assembly.

- **With the table top at an angle**, completely insert the tab on the table top into the slot above the supports on the ladder panel.
- Rotate the table top toward the supports.



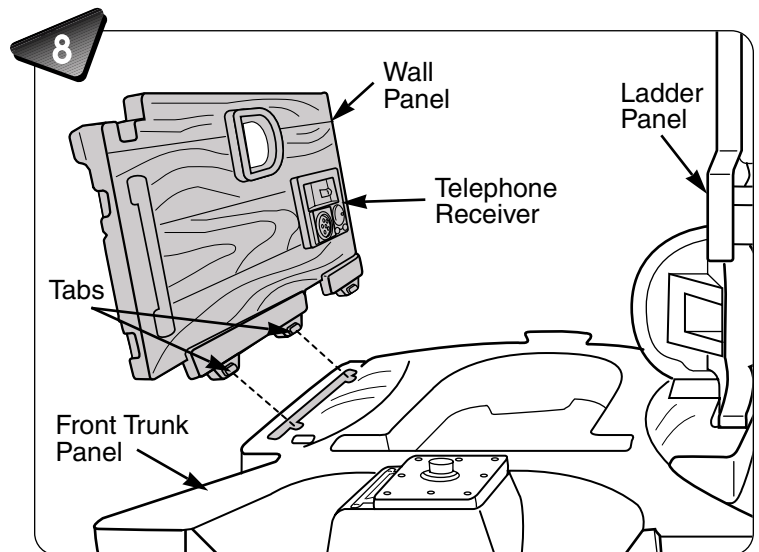
- Check to be sure the table top is properly attached to the ladder panel. There should be no gap between the table top and the ladder panel.



- Make sure the area where the mailbox label will be applied is clean and dry.
- Bend the mailbox label in half and remove the backing.
- Apply the mailbox label to the mailbox door.
- For best adhesion, try to avoid applying the label more than once.

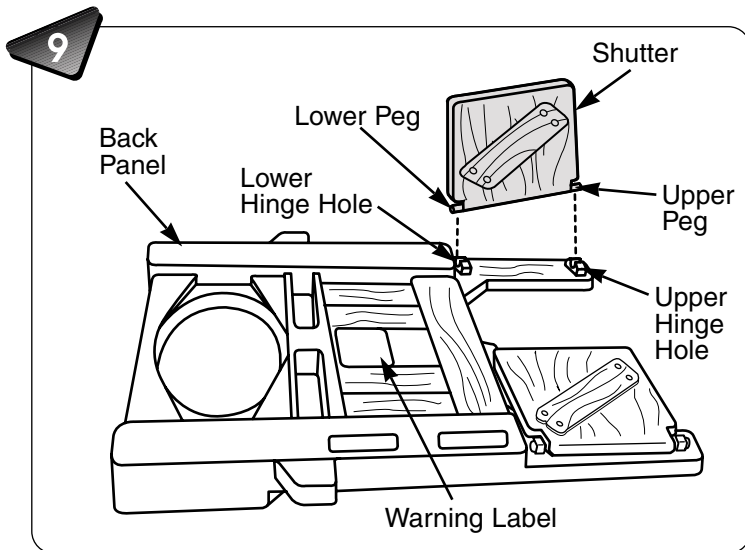
Please Note: The mailbox label may already be applied to the mailbox door.

- Position the wall panel on a flat surface with the outside facing up.
- Insert one of the mailbox door pegs into one of the hinge holes in the wall panel.
- Fit and snap the other mailbox door peg into the other hinge hole in the wall panel.

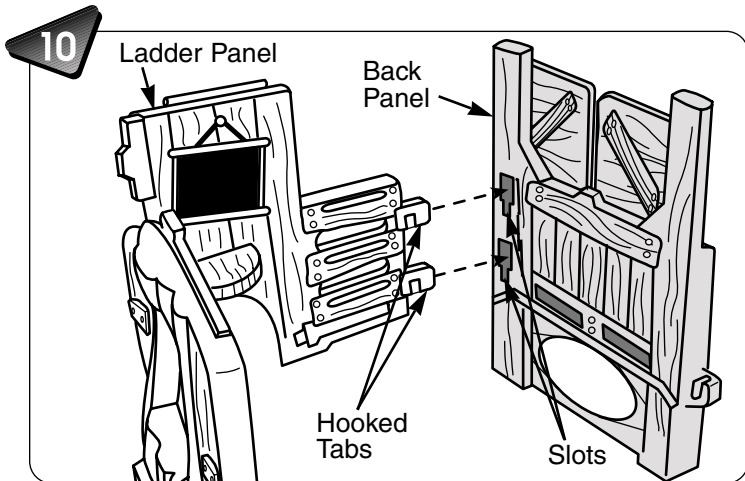


- Position the assembly so that the front trunk panel is laying on a flat surface.
- Position the wall panel so that the telephone receiver faces the ladder panel.
- Insert the tabs on the wall panel into the slots in the front trunk panel.
- Push down firmly on the wall panel to snap the tabs in place.

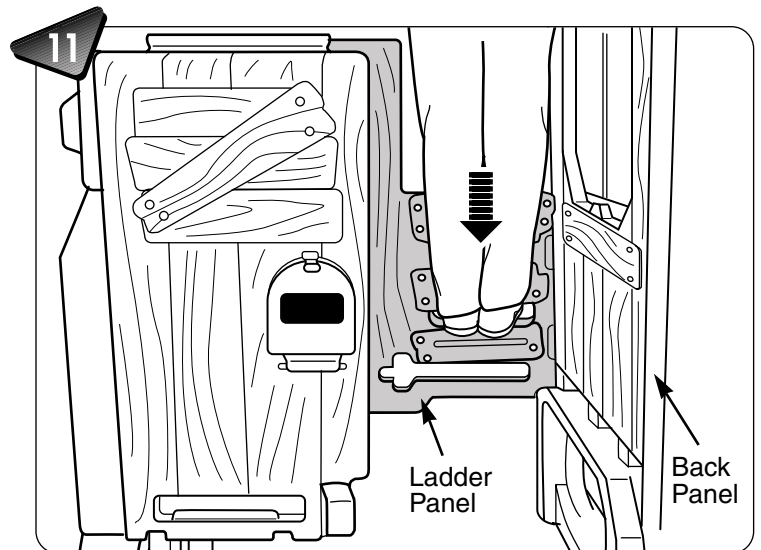
Assembly



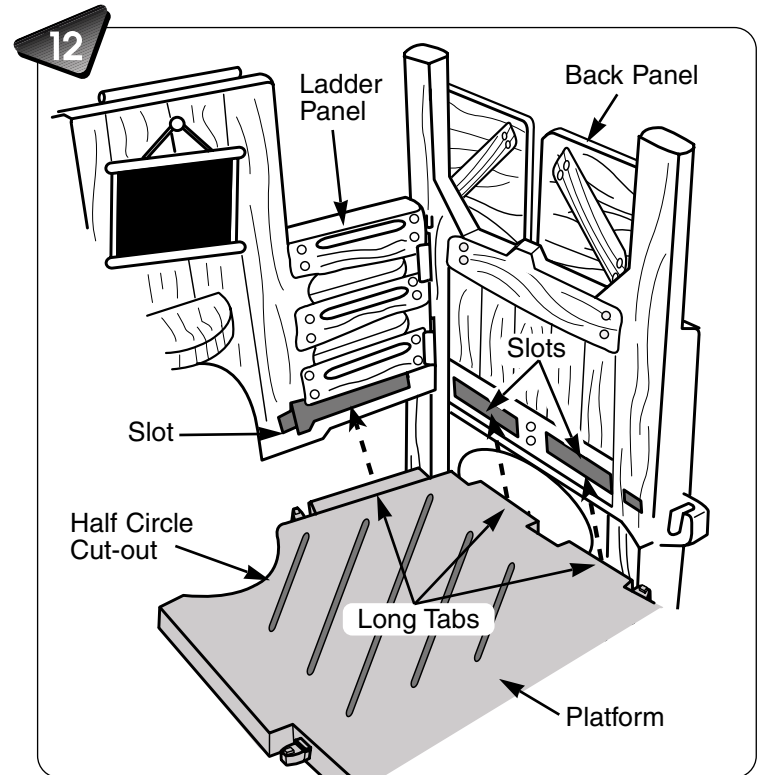
- Position the back panel on a flat surface with the warning label facing up.
- Insert a shutter lower peg into the lower hinge hole on one side of the back panel.
- Fit and snap the shutter upper peg into the upper hinge hole on the same side of the back panel.
- Repeat this procedure to assemble the other shutter to the back panel.



- Stand the assembly upright, as shown.
- Insert the hooked tabs on the ladder panel into the slots in the back panel.

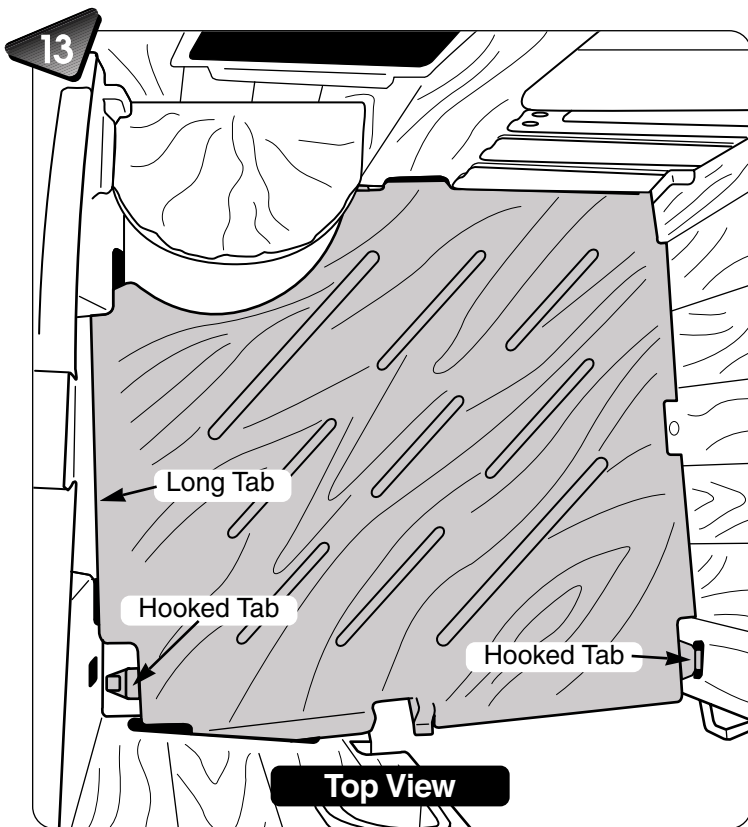


- To lock the ladder panel tabs into the back panel slots:
-Climb onto the ladder panel and stomp down until it snaps into place. (This may require a lot of force.)

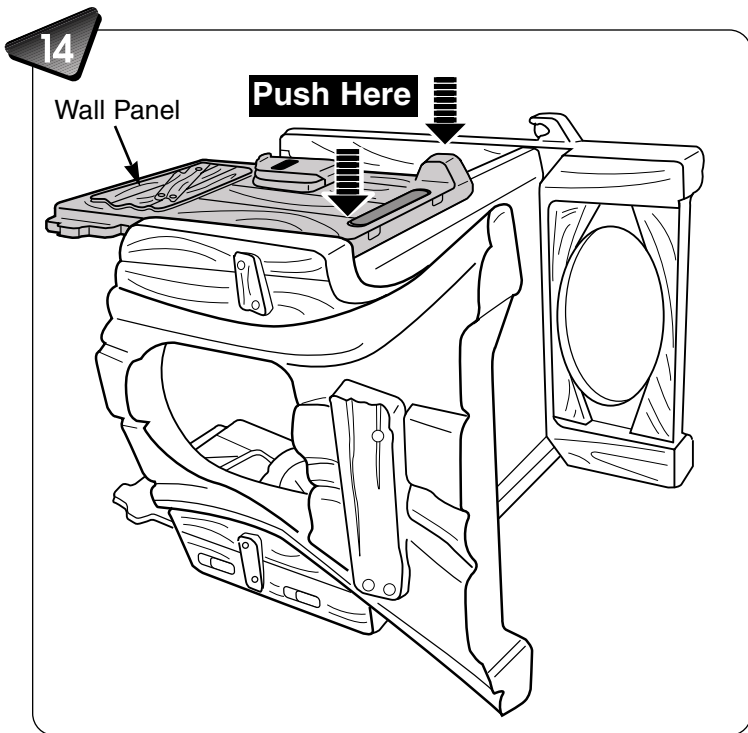


- Position the platform with the wood grain surface upright.
- Insert the long tab next to the half circle cut-out in the platform into the slot in the ladder panel.
- Insert the two long tabs on the side of the platform into the slots in the back panel.

Assembly

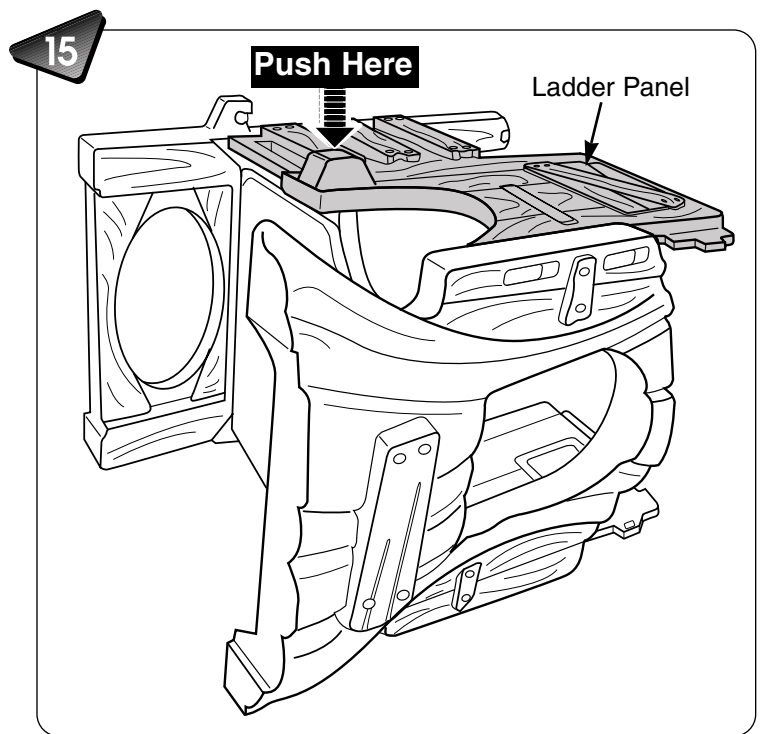


- Insert and snap the hooked tabs and long tab on the platform into the panel assembly, as shown.



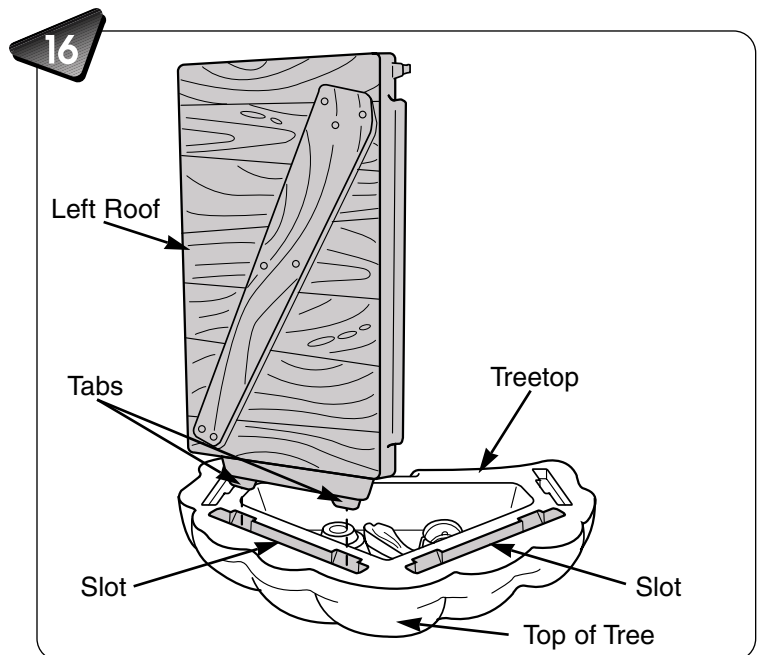
Helpful Hint: You may need the help of another person with this assembly step.

- Turn the panel assembly so that the ladder panel is laying on a flat surface.
- Push down on the wall panel, as shown, to snap the platform hooked tab and long tab into the slots in the wall panel.



Helpful Hint: You may need the help of another person with this assembly step.

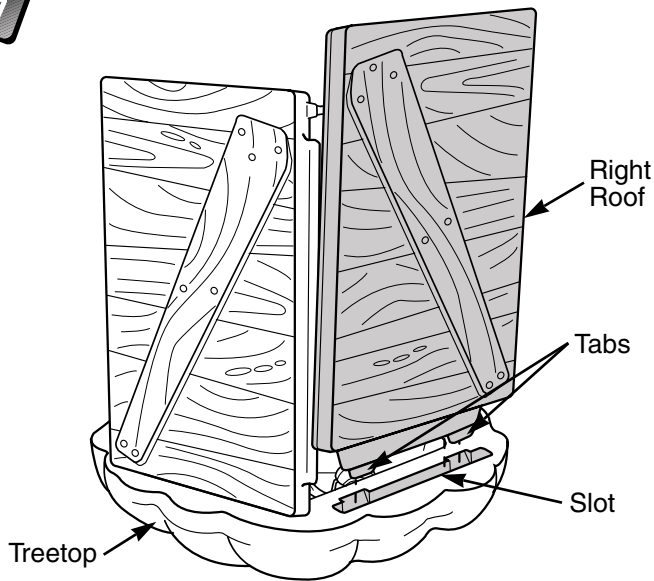
- Turn the panel assembly so that the wall panel is laying on a flat surface.
- Push down on the ladder panel, as shown, to snap the platform hooked tab into the slot in the ladder panel.



- Position the treetop on a flat surface with the slots facing up and the top toward you.
- Locate the left roof (labeled L).
- Position the left roof so that the flatter side is toward you.
- Insert the left roof tabs into the slot in the treetop.

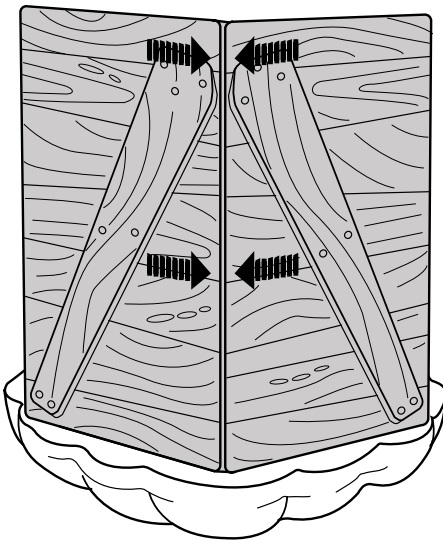
Assembly

17



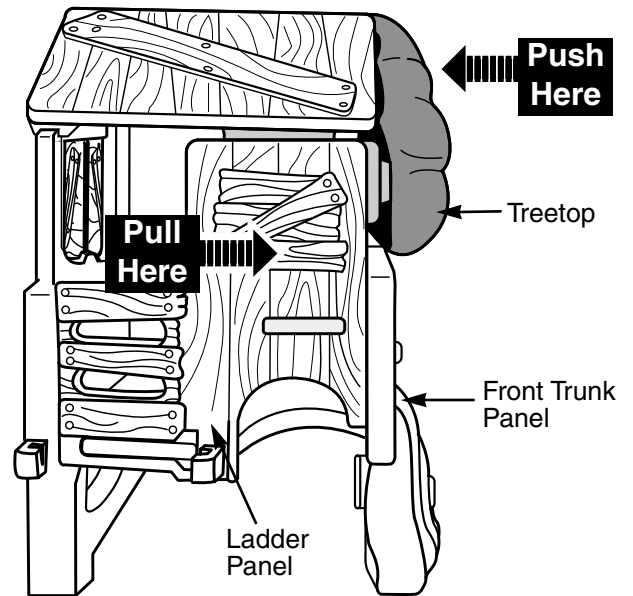
- Position the right roof (labeled **R**) so that the flatter side is toward you.
- Insert the right roof tabs into the slot in the treetop.

18



- Fit the hooked tab and the long tab on the left roof into the slot and groove in the right roof.

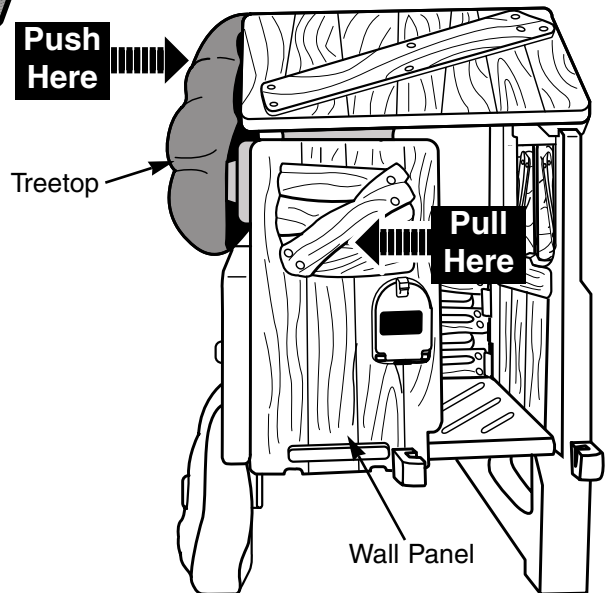
19



Helpful Hint: You will need the help of another person with this assembly step.

- Lift the roof/treetop assembly and lower it onto the panel assembly. The treetop should be over the front trunk panel.
- Hold the roof/treetop assembly in place.
- Grasp the ladder panel with one hand and the treetop with the other hand.
- Pull the ladder panel toward the treetop while pushing the treetop toward the ladder panel until the treetop snaps into place.

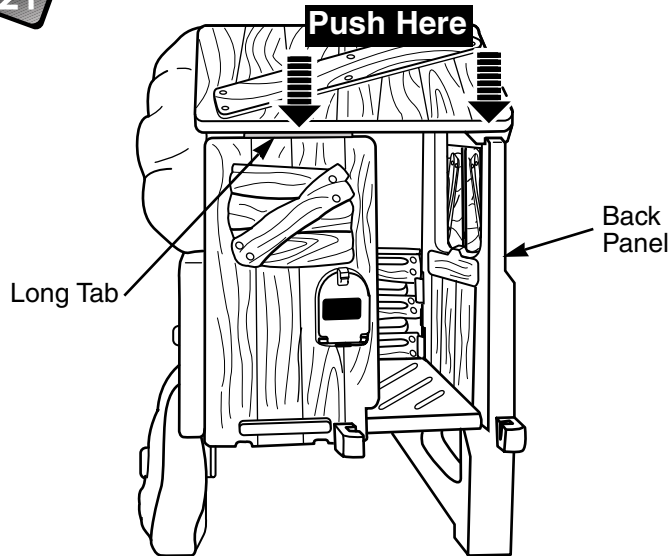
20



- Grasp the wall panel with one hand and the treetop with the other hand.
- Pull the wall panel toward the treetop while pushing the treetop toward the wall panel until the treetop snaps into place.

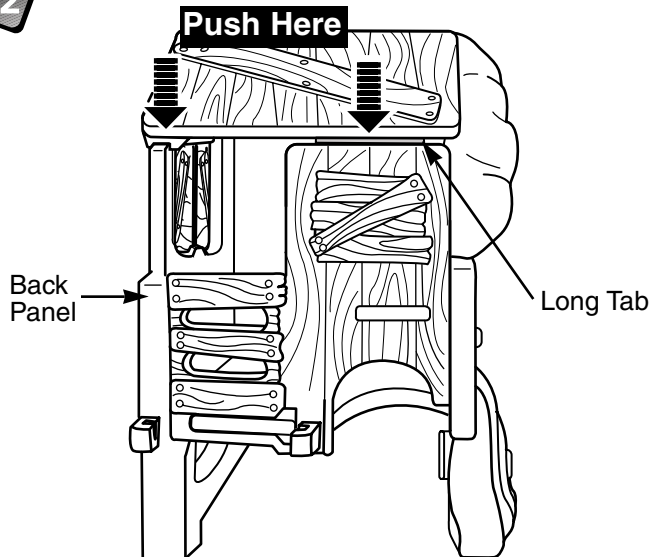
Assembly

21



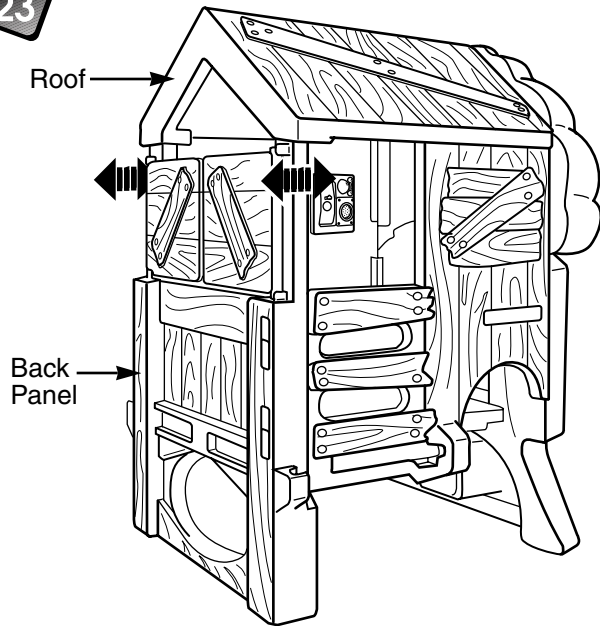
- Firmly push down on the roof to insert the long tab on the wall panel into the slot in the roof.
- Firmly push down on the roof to snap the back panel into the slot in the roof.

22



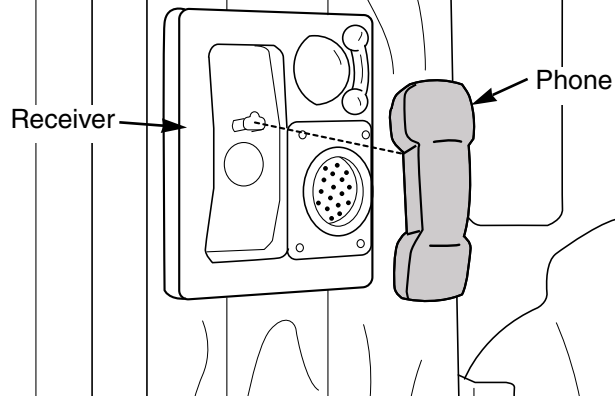
- Firmly push down on the roof to insert the long tab on the ladder panel into the slot in the roof.
- Firmly push down on the roof to snap the tabs on the back panel into the slot in the roof.

23



- Push and pull the back panel, as shown to secure the back panel in the roof.
- **Check to be sure the roof is securely attached to the panel assembly. Push up on the roof on all four sides. If the roof can be removed from one of the panels, re-read and repeat steps 19 - 22.**

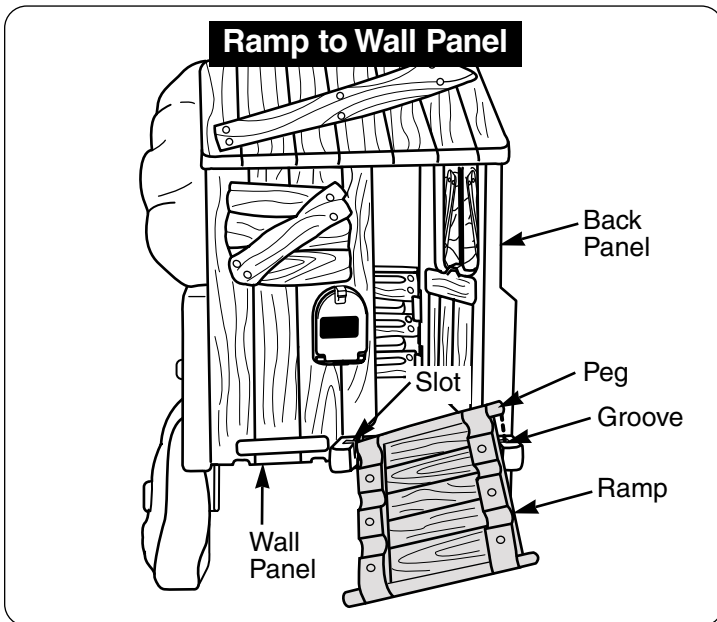
24



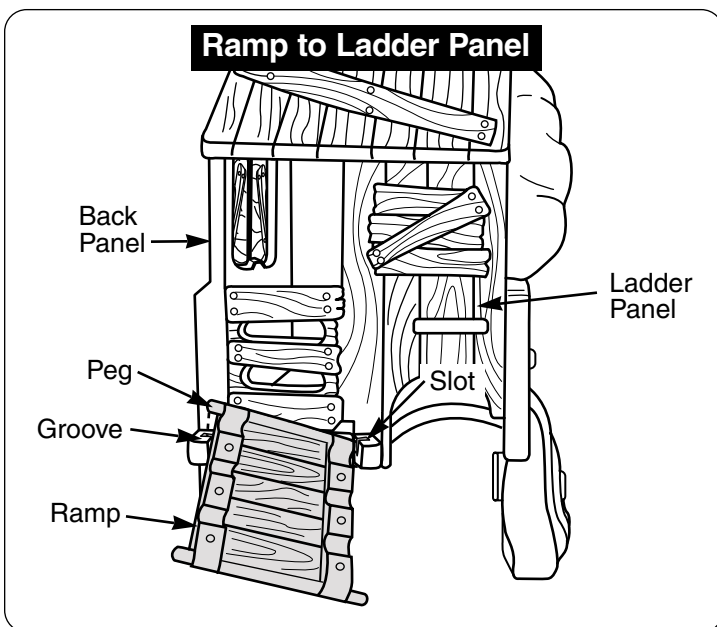
- Fit the phone into the receiver on the wall panel.

Connecting

Helpful Hint: There are two connecting areas to attach the ramp to the Backyard Treehouse™. You can connect the ramp to either of these areas and switch it whenever you like! You can also attach other Fisher-Price® outdoor playsets to these two areas on the Backyard Treehouse™. If the Fisher-Price® outdoor playset is equipped with a slide or walkway use the instructions below to attach it to the Backyard Treehouse™.



- Locate the connecting area on the wall panel.
- Insert the thin peg on the ramp into the slot in the wall panel.
- Firmly push down on the other ramp peg to fit it into the groove in the back panel.



- Locate the connecting area on the ladder panel.
- Insert the thick peg on the ramp into the slot in the ladder panel.
- Firmly push down on the other ramp peg to fit it into the groove in the back panel.

Maintenance

- Inspect the Backyard Treehouse™ twice monthly during the usage season for wear or damage and tighten any screws as needed. It is particularly important that this procedure be followed at the beginning of each usage season.
- To clean or to remove static electricity use a mild soap and water solution and a clean cloth. Rinse clean with water to remove soap residue.
- Periodically check to be sure the Backyard Treehouse™ has adequate protective surfacing under and around it. Inspect surfacing material for deterioration.
- Check loose surfacing material for foreign objects or debris. Also look for compaction and reduced depth, with special attention to heavy use areas such as those under swings and slide exit regions.

Three (3) Year Limited Warranty

Fisher-Price, Inc., 636 Girard Avenue, East Aurora, New York 14052, warrants to the original owner that the Backyard Treehouse™ is free from all defects in material and workmanship when used under normal conditions for a period of three (3) years from the date of purchase. This warranty does not cover color fading of the product or product parts, or damage from excessive abuse or Acts of God.

Should the product fail to perform properly, we will repair or replace it, free of charge. Purchaser is responsible for shipping the product to the address indicated above and for all associated freight and/or insurance cost. Fisher-Price, Inc. will bear the cost of shipping the repaired or replaced item to you. This warranty is void if the owner repairs or modifies the product. This warranty excludes any liability other than the above mentioned, including but not limited to any incidental or consequential damages.

SOME STATES DO NOT ALLOW THE EXCLUSION OR LIMITATION OF INCIDENTAL OR CONSEQUENTIAL DAMAGES, SO THE ABOVE LIMITATION OR EXCLUSION MAY NOT APPLY TO YOU.

THIS WARRANTY GIVES YOU SPECIFIC LEGAL RIGHTS, AND YOU MAY ALSO HAVE OTHER RIGHTS WHICH MAY VARY FROM STATE TO STATE.

If you have any questions about this product:

In Canada, call 1-800-567-7724, or write to: Mattel/Fisher-Price, 6155 Fremont Blvd., Mississauga, Ontario L5R 3W2.

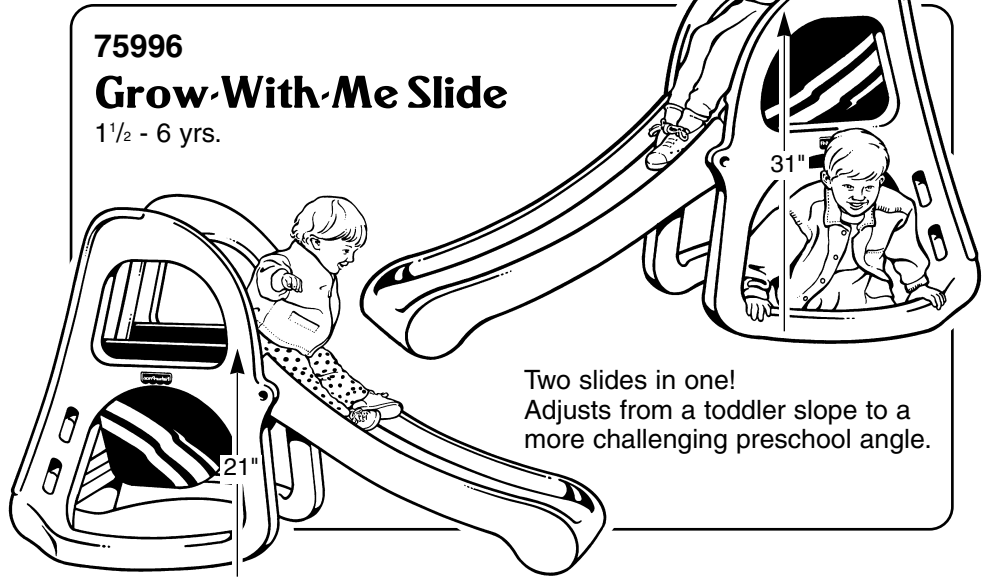
In Great Britain, telephone 01734 770488.

In Australia, call the Fisher-Price Australian Consumer Advisory Service toll-free at 1-800-800-812, or write to: Fisher-Price, Mattel Pty. Limited, 461 Plummer Street, Port Melbourne, Victoria 3207.

Fisher-Price knows . . . little kids become big kids.

Everyone knows little kids don't stay that way for long. They grow out of things every day and into something else. But a backyard playset is one thing that needs to hold your child's interest for more than a season. To make sure ours will be enjoyed for a long time, we've given them special features that make them toddler friendly as well as challenging for preschoolers. And of course, all of our playsets are built playground tough of double-walled plastic so they'll survive years of outdoor adventures.

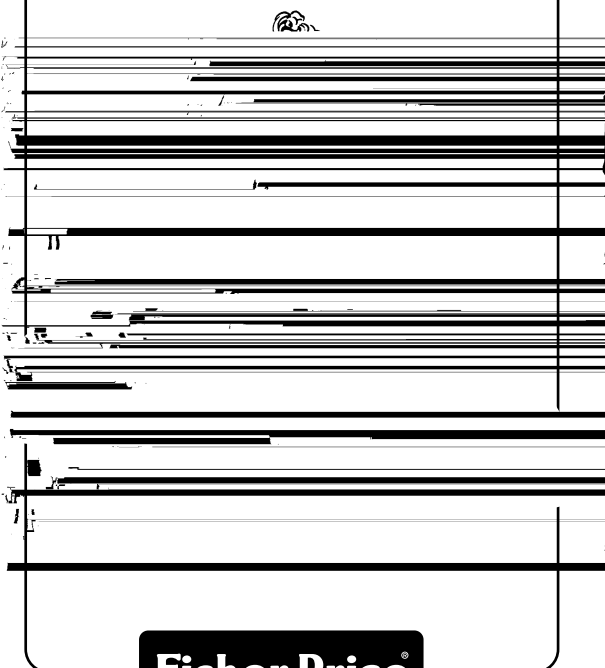
75996
Grow-With-Me Slide
1½ - 6 yrs.



Two slides in one!
Adjusts from a toddler slope to a more challenging preschool angle.

72097
Grow-With-Me Picnic Table

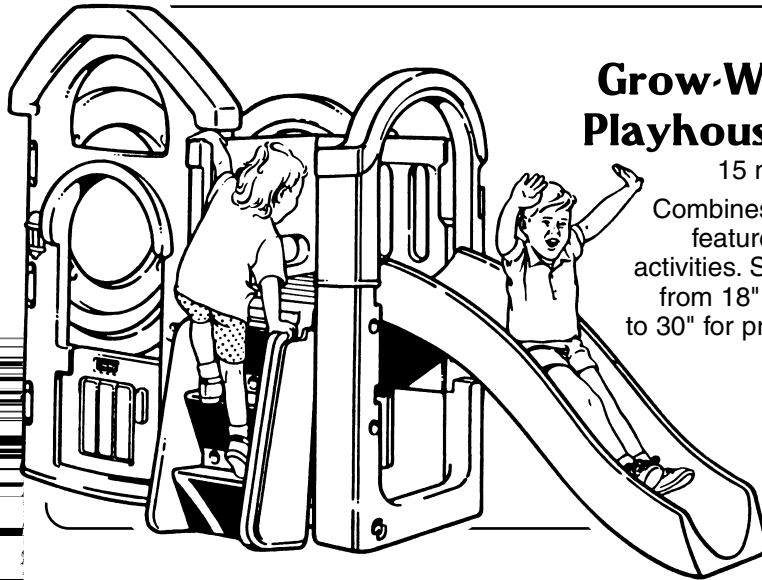
2 yrs. & up
Both the table top and seats adjust in height with your growing children.



Fisher-Price

75990
Grow-With-Me Playhouse Gym

15 mos. - 6 yrs.
Combines playhouse features with gym activities. Slide adjusts from 18" for toddlers to 30" for preschoolers.



75961
Grow-With-Me Teeter
1½ - 6 yrs.

Combines gentle rocking for toddlers with teetering excitement for preschoolers.

