

Fisher-Price®

Instructions

Great Adventures™ Pirate Ship

Model Number: 77041



Please save these instructions for future reference.

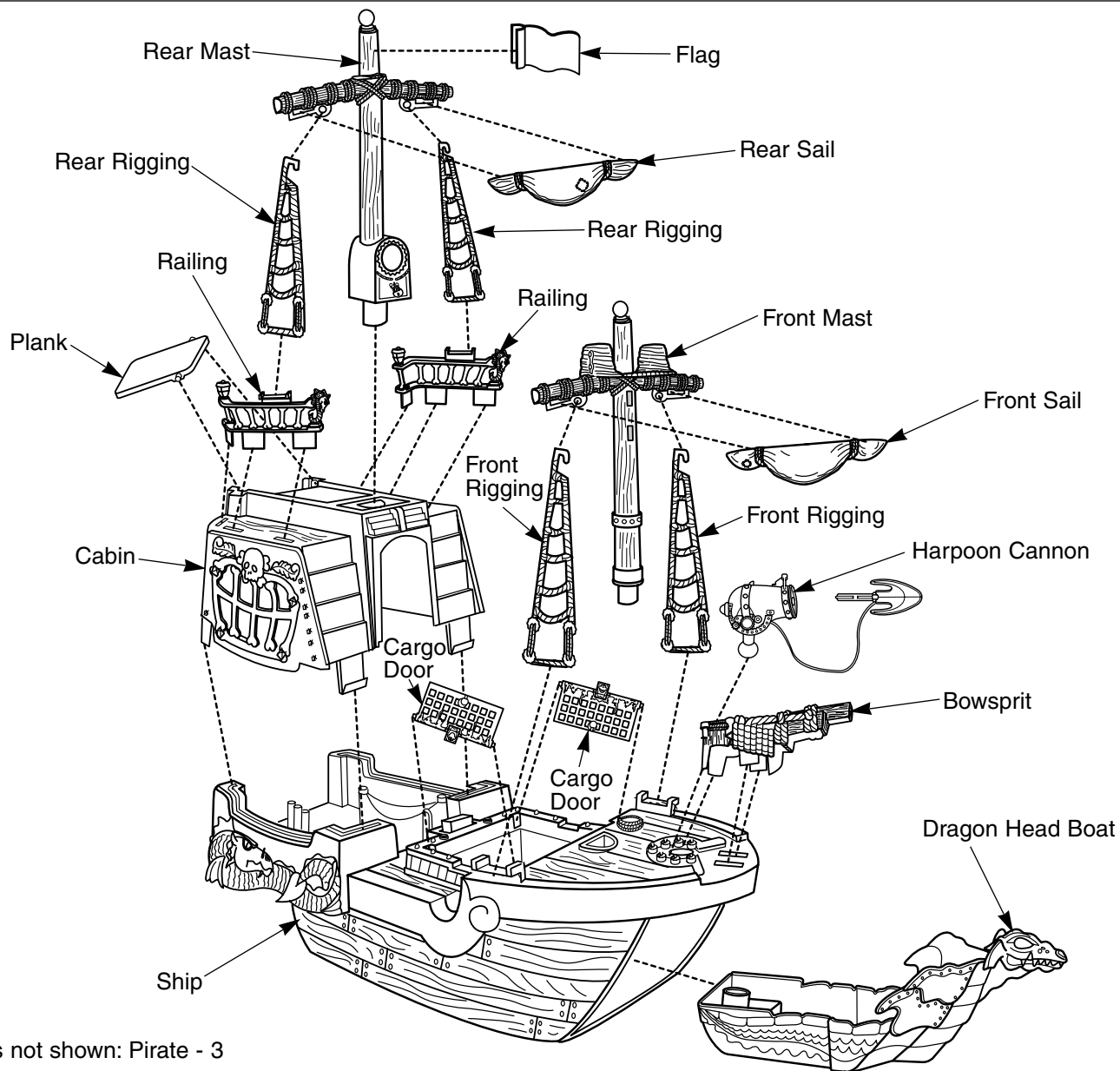
Adult assembly is required.

No tools needed for assembly.

Pirate Ship is not designed for use in water.

Parts

Questions? We'd like to hear from you! Call Fisher-Price® Consumer Affairs, toll-free at 1-800-432-KIDS, 8 AM - 6 PM EST Monday through Friday. Hearing-impaired consumers using TTY/TDD equipment, please call 1-800-382-7470. Or, write to: Fisher-Price® Consumer Affairs, 636 Girard Avenue, East Aurora, New York 14052.



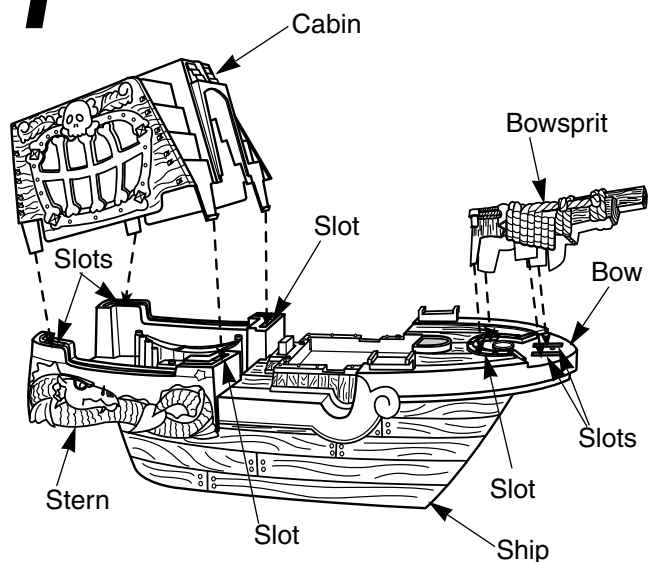
Printed in China

©1997 Fisher-Price, Inc., a subsidiary of Mattel, Inc., East Aurora, New York 14052

77041 1 77041-0920

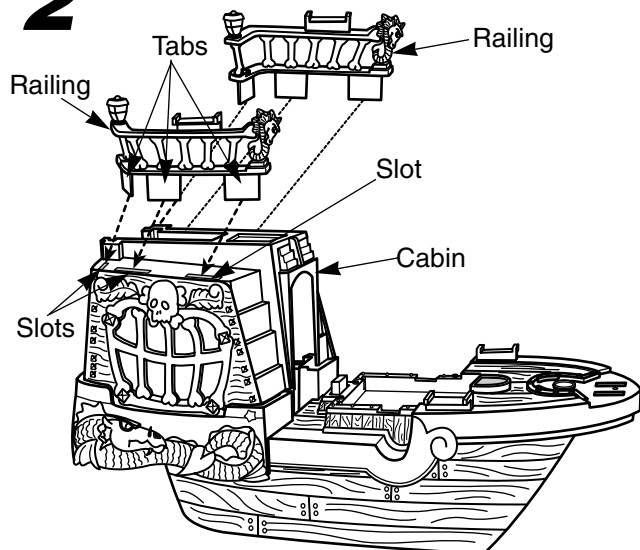
Assembly

1



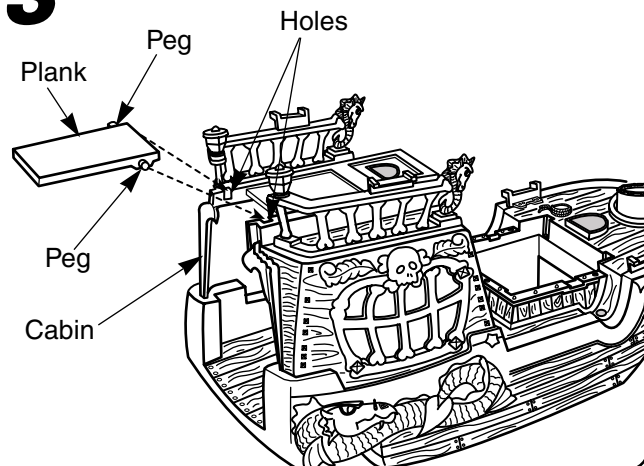
- Insert and snap the tabs on the bottom of the cabin into the slots in the stern of the ship.
- Insert and snap the tabs on the bowsprit into the slots in the bow of the ship.

2



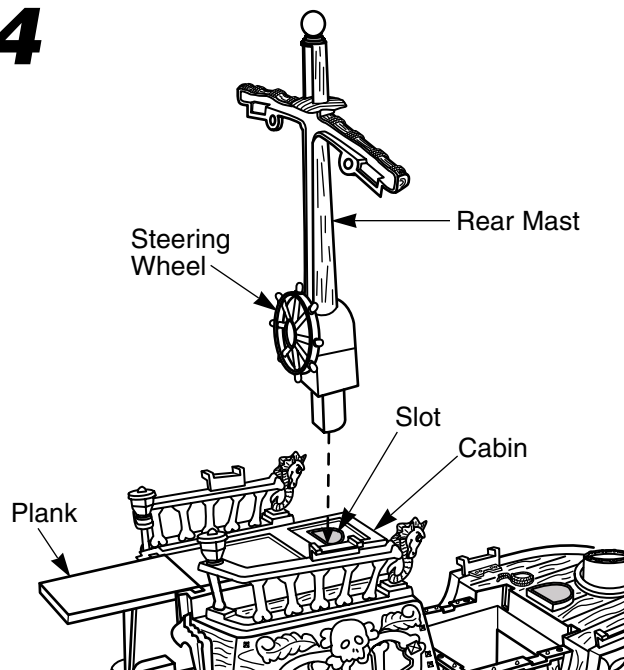
- Insert and snap the tabs on the railings into the slots in the top of the cabin.

3



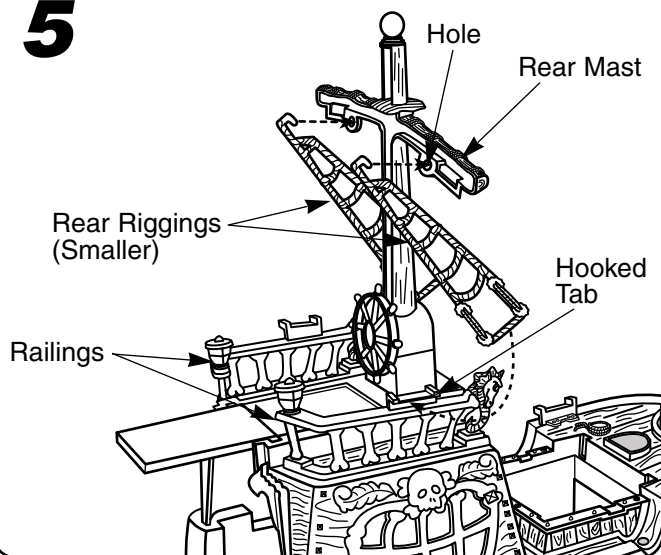
- At an angle, insert one peg on the plank into a hole in the top of the cabin.
- Push down on the plank to insert and snap the other peg into the other hole in the top of the cabin.

4

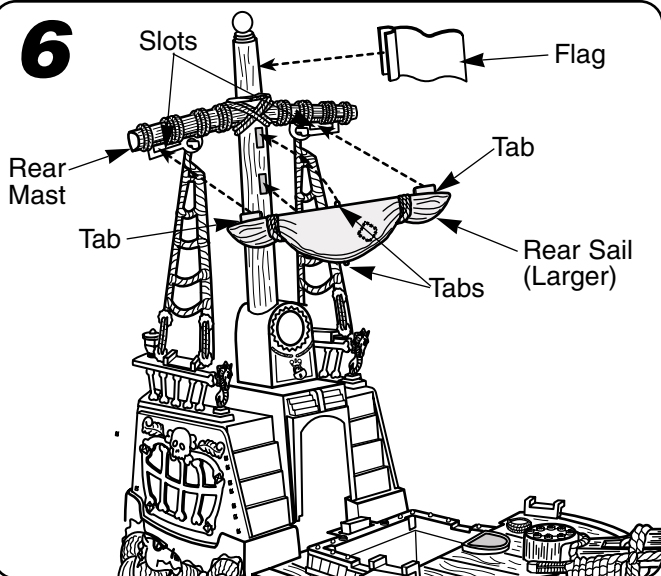


- Identify the rear mast from the front mast. (The rear mast has a steering wheel.)
- With the steering wheel pointing towards the plank, insert and snap the rear mast into the slot in the top of the cabin.

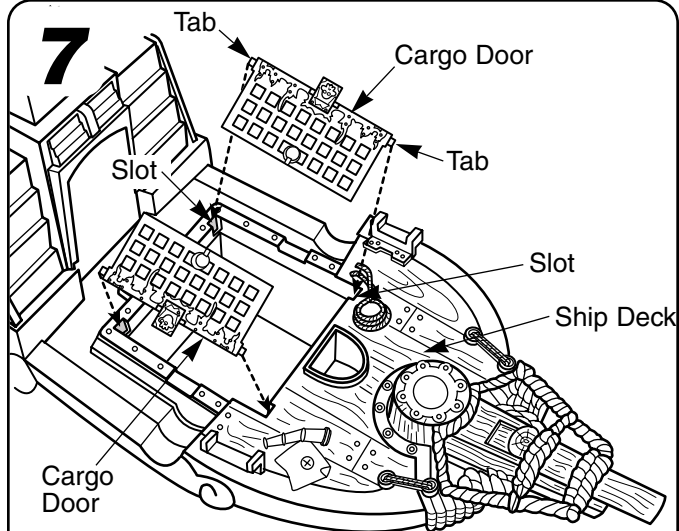
3

5

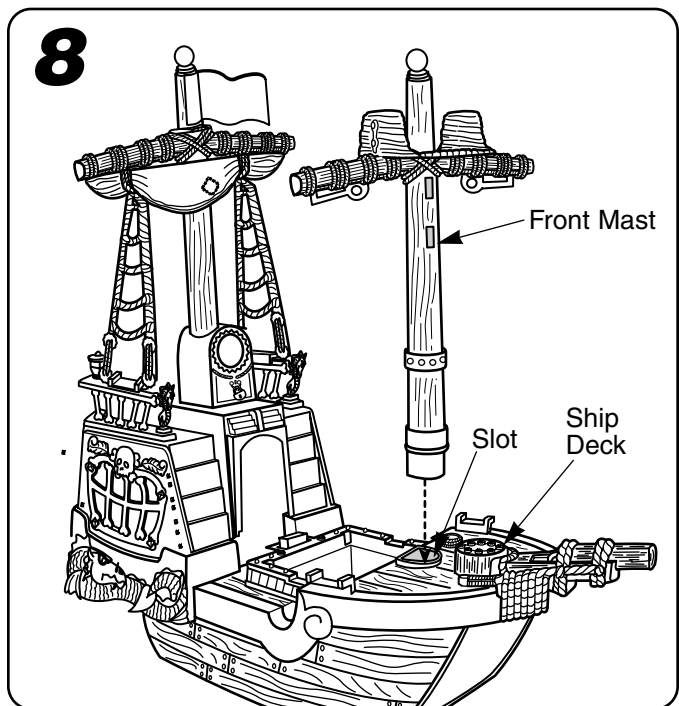
- Identify the rear riggings from the front riggings. (The rear riggings are smaller than the front riggings.)
- Hook the top of the rear riggings into the round holes at the top of the rear mast.
- Fit the bottom of the rear riggings underneath the hooked tabs on the railings.

6

- Identify the rear sail from the front sail. (The rear sail is larger than the front sail.)
- Insert and snap the tabs on the rear sail into the slots in the rear mast.
- Snap the flag to the top of the rear mast.

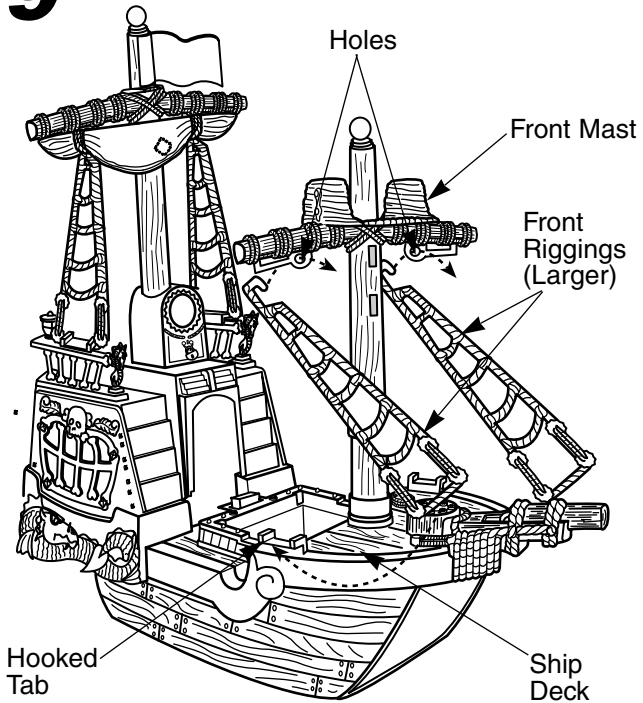
7

- Position the cargo doors so that the molded-in detail (top sides) is upright.
- Insert the tabs on the cargo doors into the slots in the ship deck.
- Rotate the cargo doors up to the closed position.

8

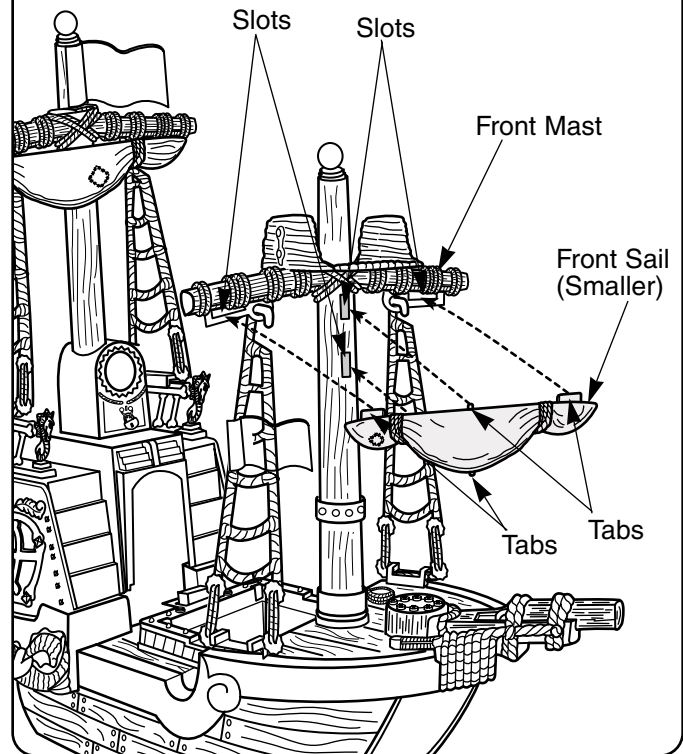
- Insert and snap the front mast into the slot in the ship deck.

9



- Hook the top of front riggings into the round holes at the top of the front mast.
- Fit the bottom of the front riggings underneath the hooked tabs on the ship deck.

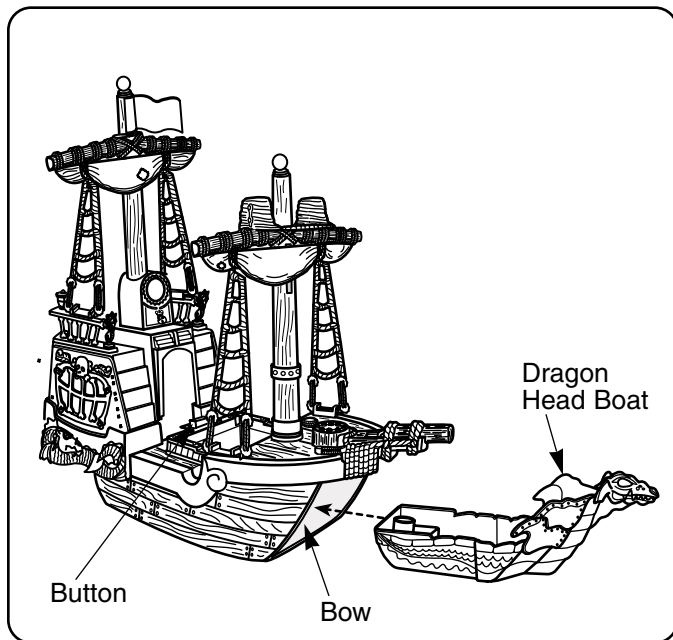
10



- Insert and snap the tabs on the front sail into the slots in the front mast.

Assembly is now complete.

Launching the Dragon Head Boat

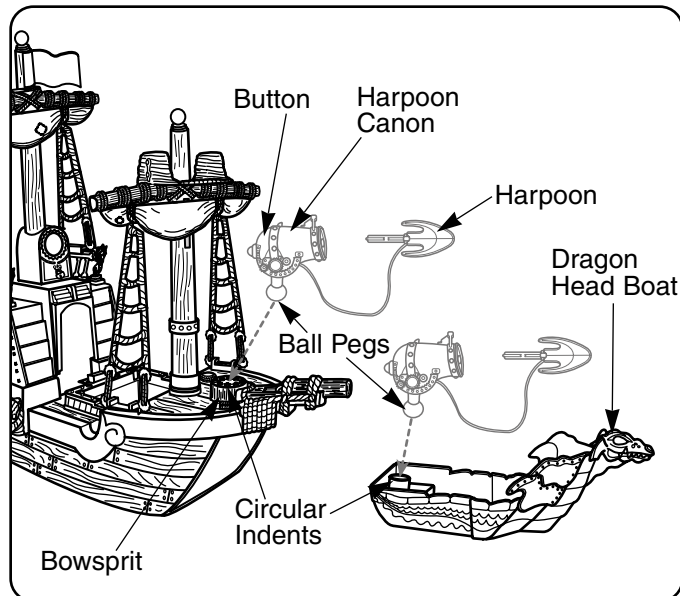


- Insert the dragon head skiff into the hole in the bow of the ship until you hear a click.
- Push down on the button to launch the dragon head boat!

Launching the Harpoon



- Do not launch the harpoon at point blank range.
- Launch only the harpoon that came with this toy.



- The harpoon cannon can be attached to either the bowsprit or the dragon head boat. Insert the ball peg on the harpoon cannon into the circular indent in either the bowsprit or the dragon head boat.
- Insert the straight end of the harpoon into the keyed slot in the harpoon cannon until you hear a click.
- Push the button on the harpoon canon to send the harpoon flying!

If you have any questions about this product:

In Canada, call 1-800-567-7724, or write to: Mattel Canada Inc., 6155 Freemont Blvd., Mississauga, Ontario L5R 3W2.

In Great Britain, telephone 01734 770488.

In Australia, call the Fisher-Price Australian Consumer Advisory Service toll-free at 1-800-800-812, or write to: Fisher-Price, Mattel Pty. Limited, 461 Plummer Street, Port Melbourne, Victoria 3207.