

# Fisher-Price®

Instructions

## Great Adventures™ Wild Western Town

Model Number: 77052



**Please save these instructions for future reference.**

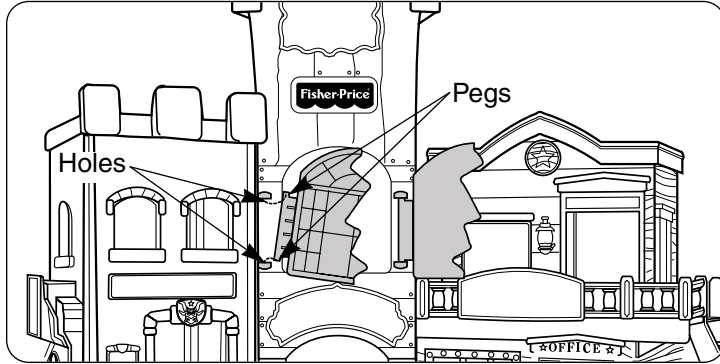
**Adult assembly is required.**

**No tools are needed for assembly.**

## Message to Parents

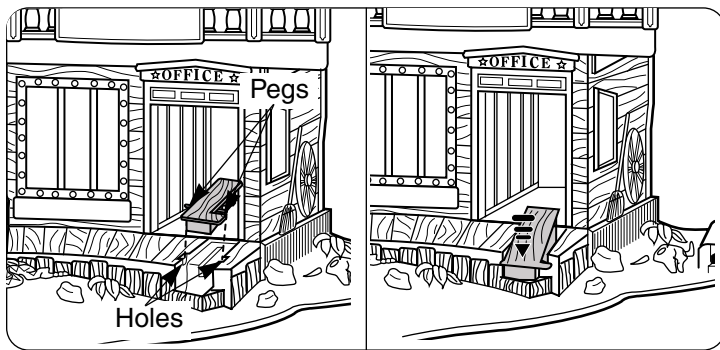
Welcome to the Great Adventures™ Wild Western Town, where the fun and excitement of the old West comes to life! Fire the cannon, launch the barrels, or send a bandit flying down the chute and out the swinging doors. There's no limit to your child's imaginative fun and adventure in the Great Adventures™ Wild Western Town!

## Hotel Window Assembly



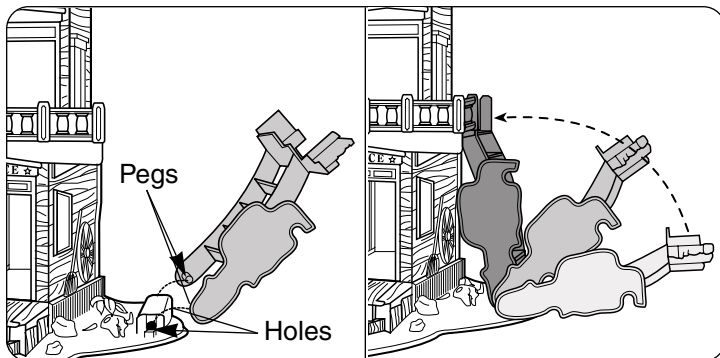
- Insert the peg on the bottom of the window hinge into the hole next to the bottom of the window opening.
- Bend the window slightly and snap the peg on the top of the window hinge into the hole next to the top of the window opening.
- Repeat this procedure to attach the other window.

## Flip-up Plank Assembly & Use



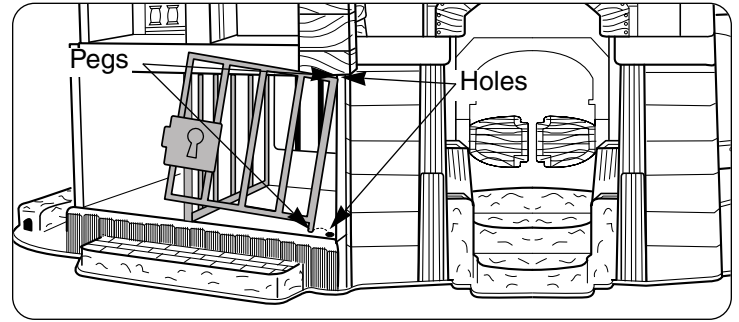
- Snap the pegs on the plank into the holes in the walkway.
- Press down on the end of the plank to flip a cowboy!

## Flip-Down Stairway Assembly & Use



- Snap the pegs on the stairway into the holes in the side of the base.
- Flip the stairway up and down.

## Jail-House Door Assembly

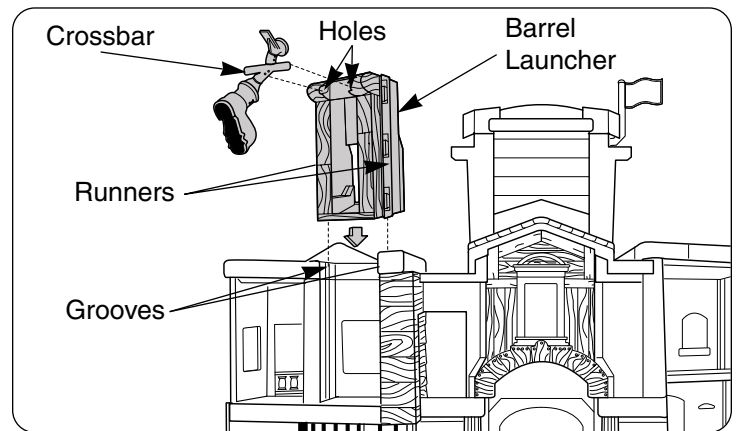


- Insert the peg on the top of the jail-house door into the hole in the top of the doorway.
- Snap the peg on the bottom of the jail-house door into the hole in the bottom of the doorway.

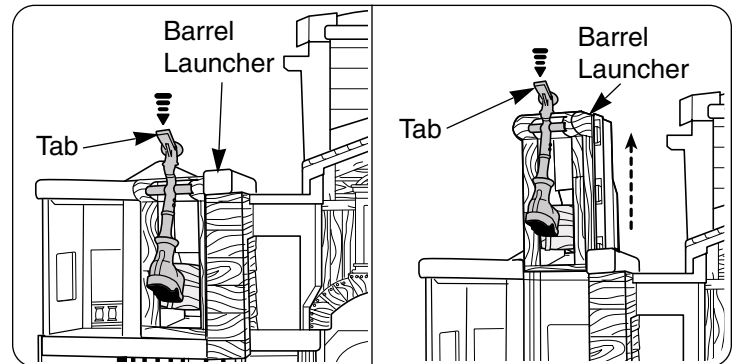
## Barrel Launcher Assembly & Use

**CAUTION**

- Do not launch a barrel at point blank range.
- Use only the barrels supplied with this toy.



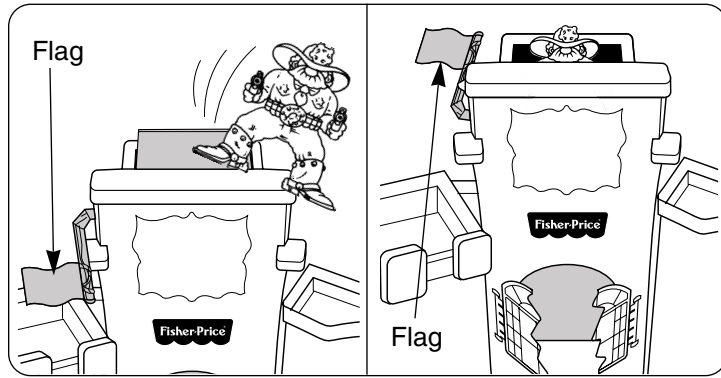
- Snap the ends of the crossbar into the holes in the barrel launcher.
- Slide the runner on each side of the barrel launcher into the grooves in the roof, as shown.



- Load a barrel into the top of the barrel launcher.
- Push down on the tab on the top of the boot to launch the barrel out the window.
- Slide the barrel launcher up to launch a barrel off the roof.

**Please Note:** Slide the barrel launcher all the way up and out to launch barrels all around the Wild Western Town.

## Make the Rooftop Play Tricks on the Cowboys!

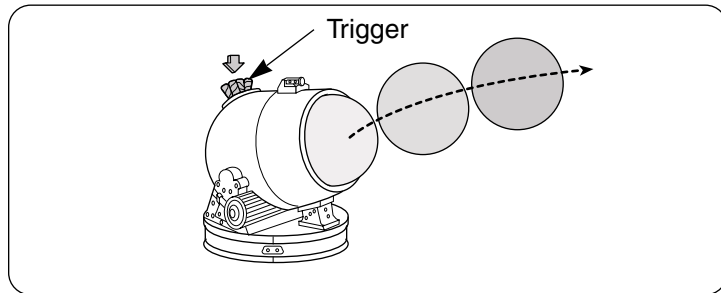


- With the flag straight up, place a bandit on the hotel roof.
- Pull the flag to the front to flip the bandit off of the roof.
- Push the flag to the back to send the bandit down the chute and flying out the hotel windows.

## Fire the Cannon



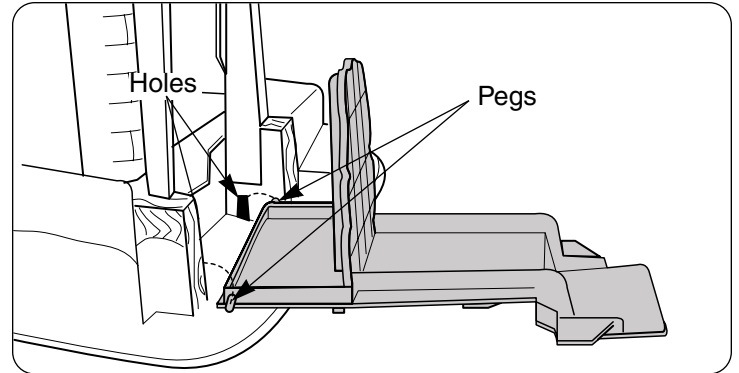
- Do not fire the cannon at point blank range.
- Only use the cannon ball supplied with this toy.



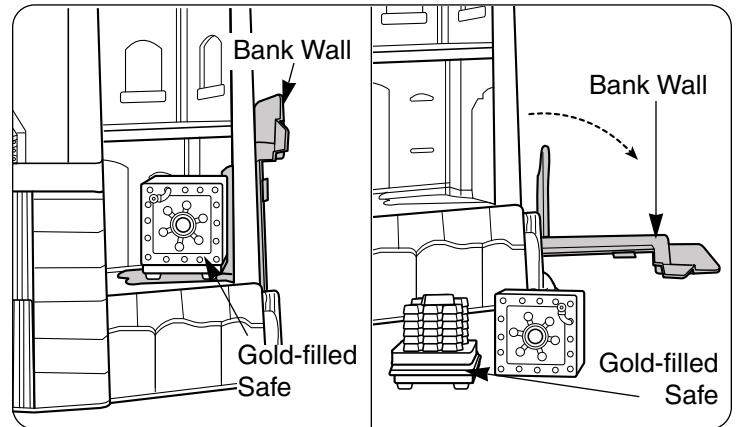
- Press a cannon ball all the way into the cannon.
- Press the trigger to fire the cannon.
- Fire the cannon from the bank roof or anywhere around the Wild Western Town.

**Note:** Store the cannon in the room above the bank when not in use.

## Bank Wall Assembly & Use



- Snap the pegs on the bottom of the bank wall into the holes in the side of the base.



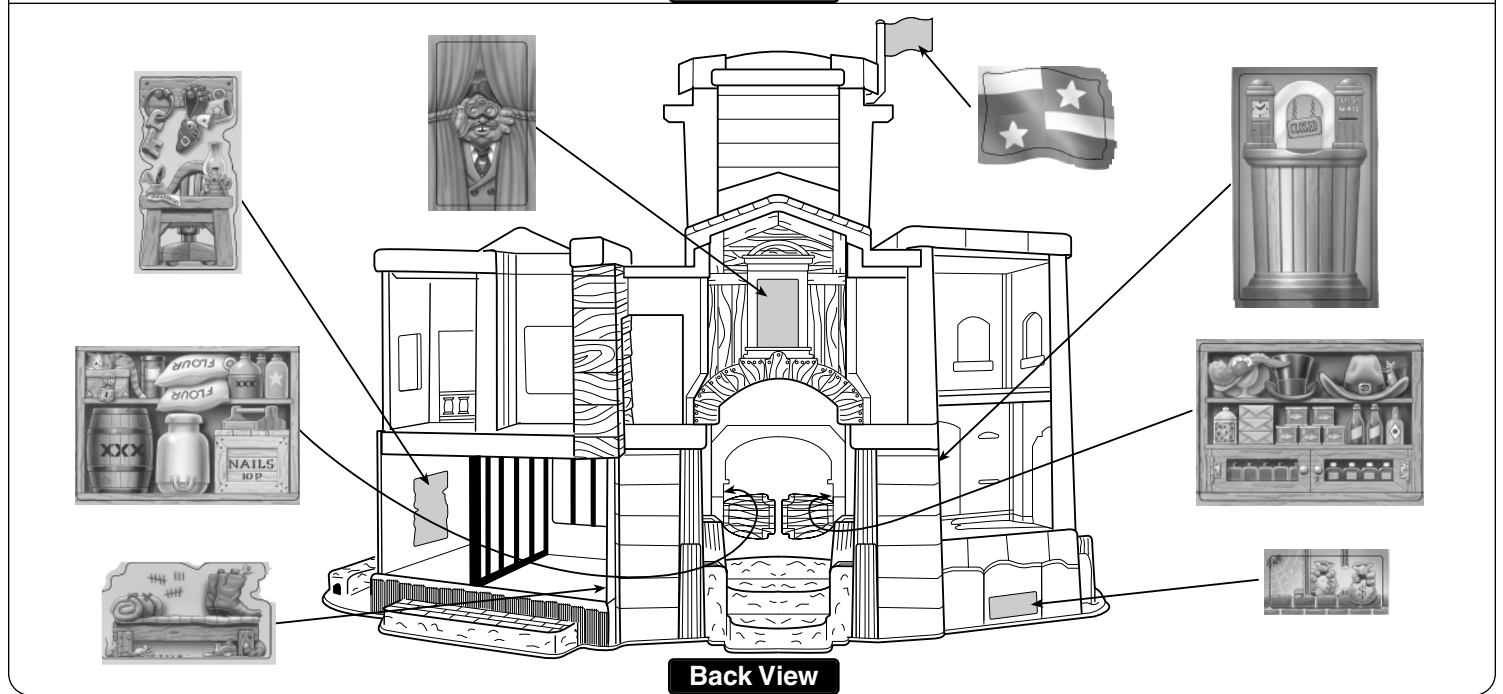
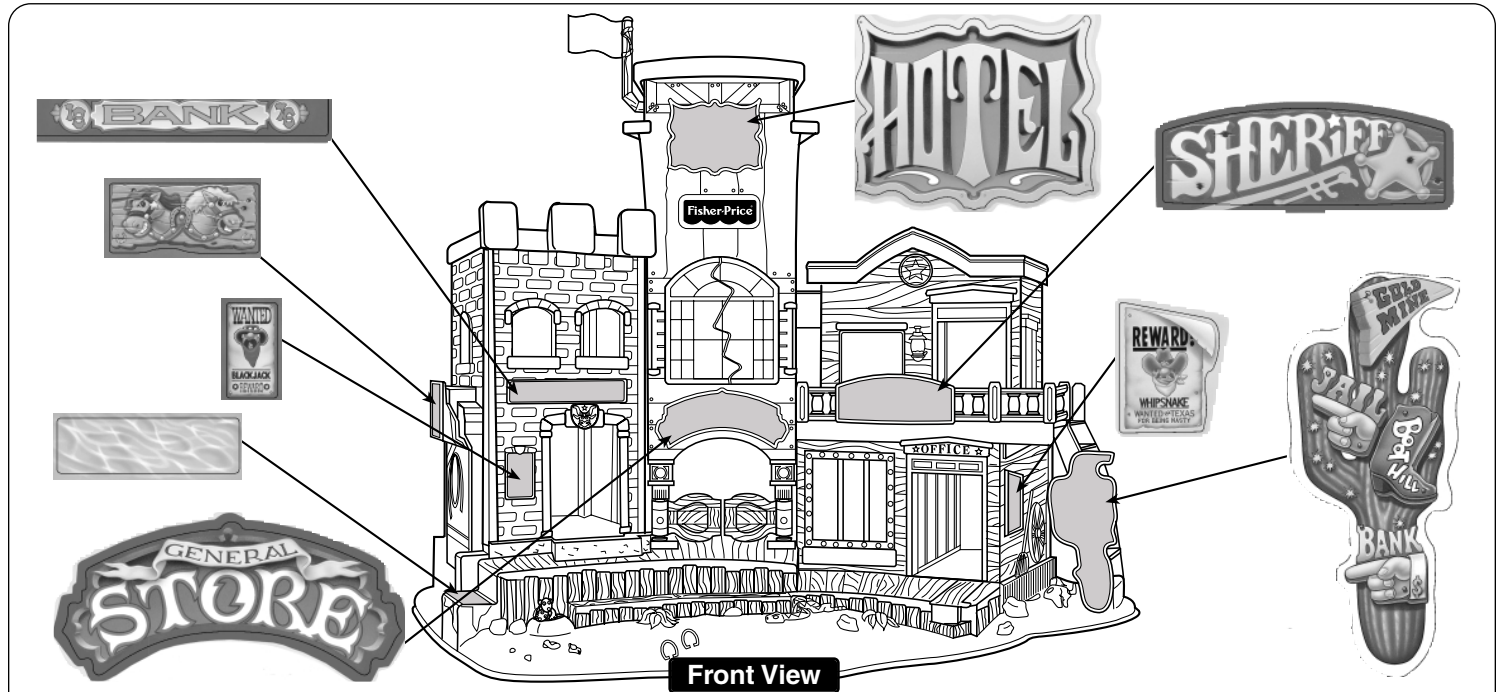
- Place the gold-filled safe on the bank floor.
- Pivot the bank wall down to tip the safe out.

## Care

After a busy day in the old West, a clean-up may be necessary! Wipe your Great Adventures Wild Western Town with a damp cloth.

## The Labels Bring the Wild Western Town to Life!

- Make sure the areas where the labels will be applied are clean and dry.
- Apply the labels as indicated in the illustrations.
- For best adhesion, avoid applying the labels more than once.



### Questions? We'd like to hear from you!

Call Fisher-Price Consumer Affairs, toll-free at **1-800-432-KIDS**, 8 AM - 6 PM EST Monday through Friday. Hearing-impaired consumers using TTY/TDD equipment, please call 1-800-382-7470. Or, write to: Fisher-Price Consumer Affairs, 636 Girard Avenue, East Aurora, New York 14052.

If you have any questions about this product: **In Canada**, call **1-800-567-7724**, or write to: Mattel/Fisher-Price, 6155 Freemont Blvd., Mississauga, Ontario L5R 3W2. **In Great Britain**, telephone 01734 770488. **In Australia**, call the Fisher-Price Australian Consumer Advisory Service toll-free at 1-800-800-812, or write to: Fisher-Price, Mattel Pty. Limited, 461 Plummer Street, Port Melbourne, Victoria 3207.