

**Fisher-Price®**

# *Adjustable High Chair*

Model Numbers: 79261, 79372, 79373



**Adult assembly is required.  
Please keep these instructions for future reference.  
Tool needed for assembly: Phillips Screwdriver.**



## WARNING

- To prevent injuries from falls or sliding out:
  - Your child should be secured in the high chair at all times by the restraint belts. The restraint belts must be adjusted to fit your child snugly.
  - The tray is not designed to hold your child in the high chair.
  - Always keep your child in full view while in the high chair.
  - Never leave your child unattended.
- We recommend that the high chair be used only by children capable of sitting upright unassisted.



## CAUTION

Please keep small parts, such as hardware, scrap plastic pieces and plastic bags, out of children's reach. Dispose of the scrap plastic pieces and plastic bags properly.

## Message to Parents

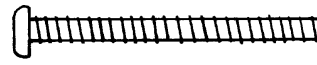
Thank you for choosing Fisher-Price®. The Fisher-Price® Adjustable High Chair is designed for baby's changing needs. Use it as a high chair for mealtime; or a youth chair without the tray to sit at the family table; or as a child's chair with or without the tray. We believe you will find its features and traditionally durable construction a great help in the day-to-day care of your child.

The Fisher-Price® Adjustable High Chair requires adult assembly. Please read these instructions thoroughly and identify all parts before assembly. Refer to the parts illustration for identification.

Call Fisher-Price® Consumer Affairs, toll-free at **1-800-432-KIDS**, 8 AM - 6 PM EST Monday through Friday. Hearing-impaired consumers using TTY/TDD equipment, please call **1-800-382-7470**. Or, write to: Fisher-Price® Consumer Affairs, 636 Girard Avenue, East Aurora, New York 14052.

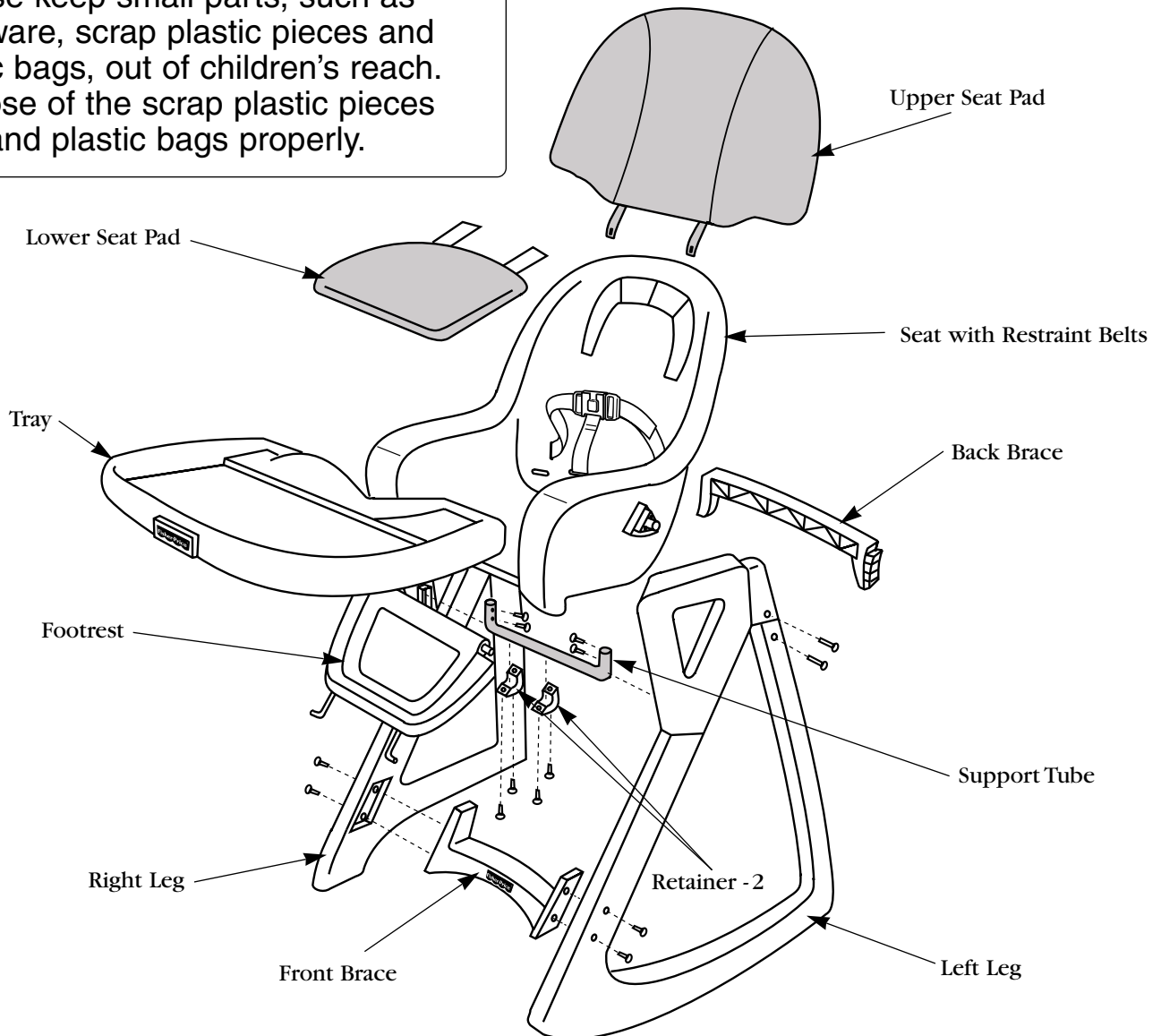


1 1/2" Screw - 12



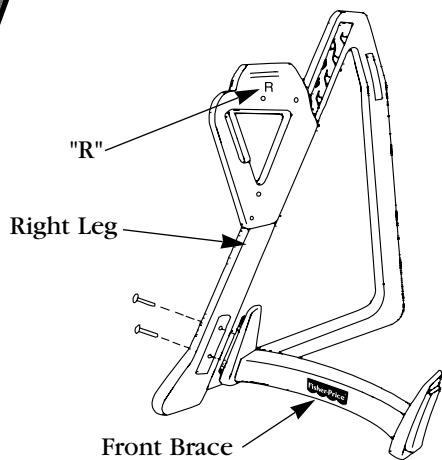
3/4" Screw - 4

(BOTH SHOWN ACTUAL SIZE)



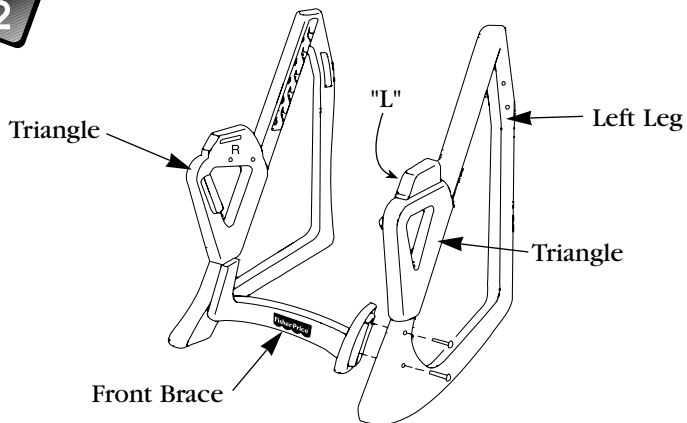
# Assembly

1



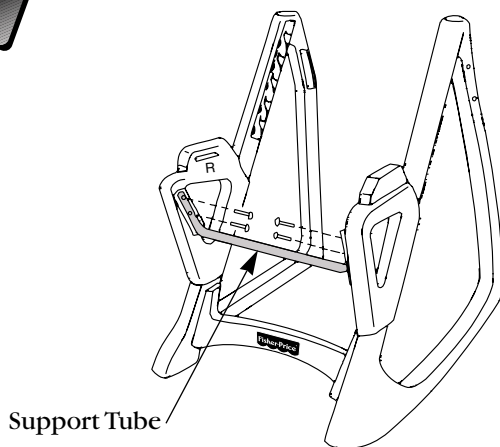
- Fit the front brace into the right leg (labeled "R").
- Insert two 1½" screws into the right leg and tighten with a Phillips screwdriver. Do not over-tighten.

2



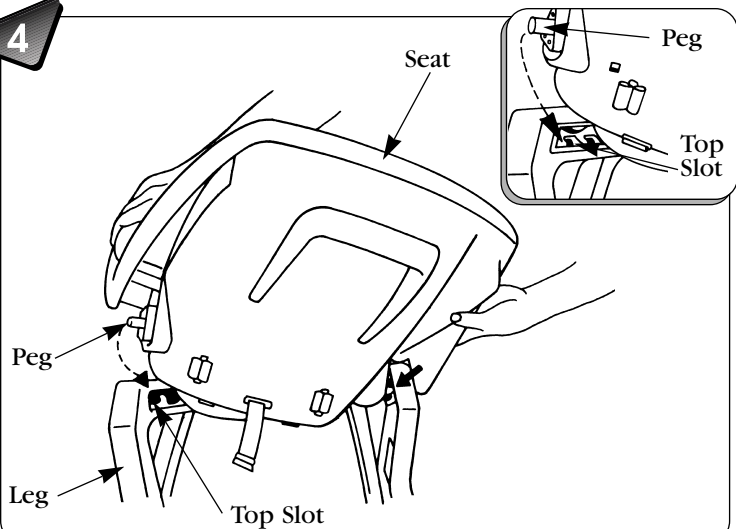
- Place the left leg (labeled "L") onto the front brace.
- Insert two 1½" screws into the left leg and tighten with a Phillips screwdriver. Do not over-tighten.
- Slide both triangles all the way down.

3



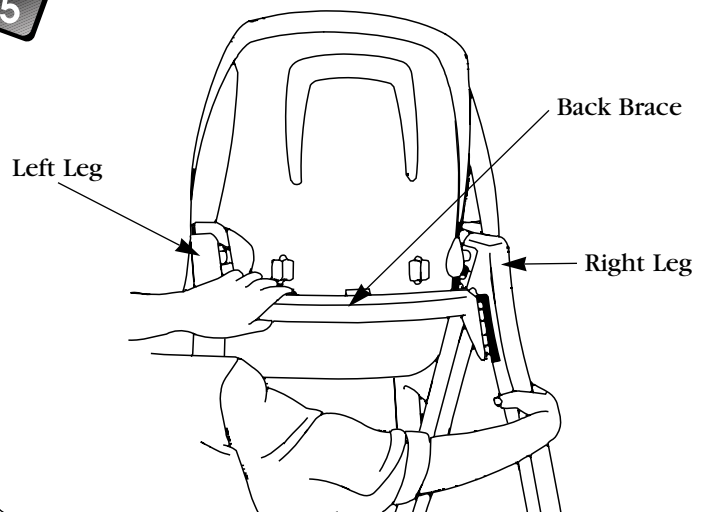
- Fit the support tube, into the rectangular grooves in the triangles.
- Insert four 1½" screws into the support tube and tighten with a Phillips screwdriver. Do not over-tighten.

4



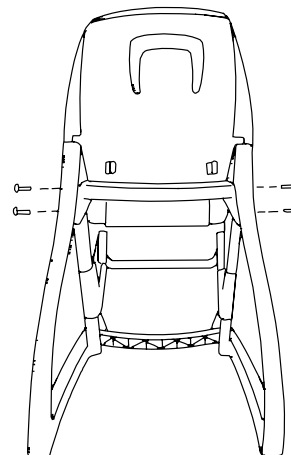
- Turn the assembly so that the Fisher-Price® logo on the front brace faces away from you.
- Place the seat onto the legs so that the pegs on both sides of the seat fit into the top slots on the legs.

5



- Fit the back brace between the left and right legs.

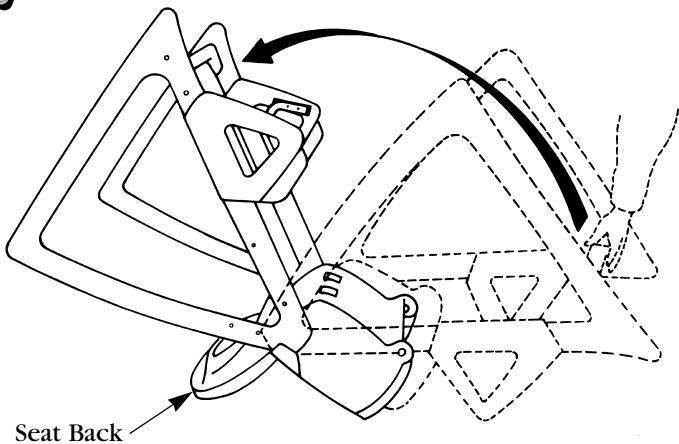
6



- Insert two 1½" screws into each leg and tighten with a Phillips screwdriver. Do not over-tighten.

# Assembly

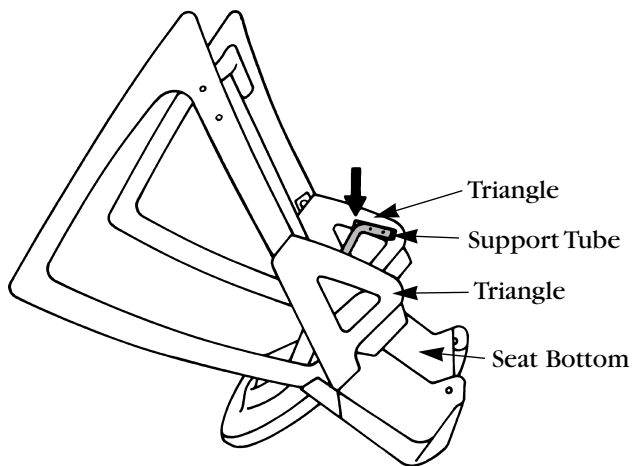
7



Seat Back

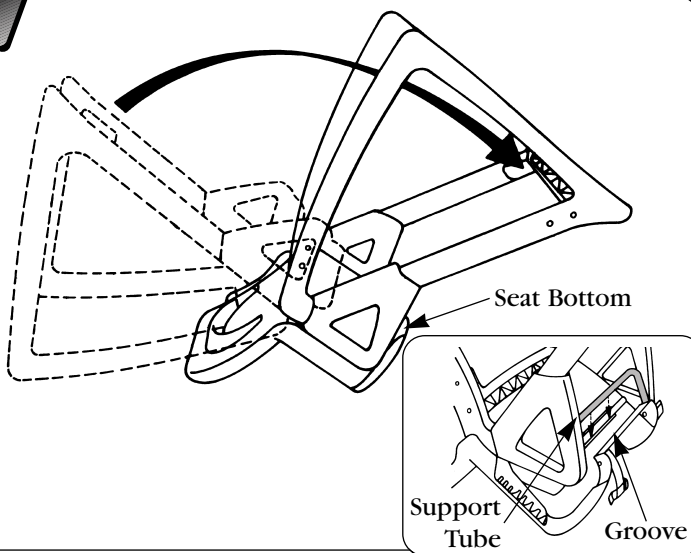
- Position the Adjustable High Chair seating side down.
- Rotate the leg assembly toward the seat back.

8



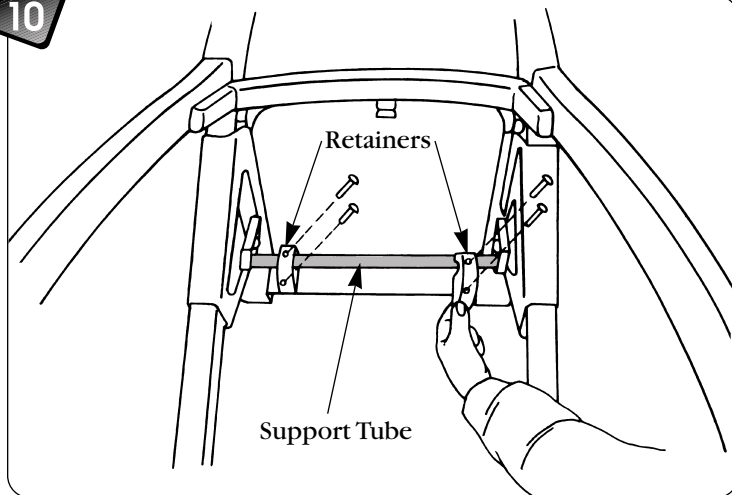
- Push the support tube and triangles all the way down to the seat bottom.

9



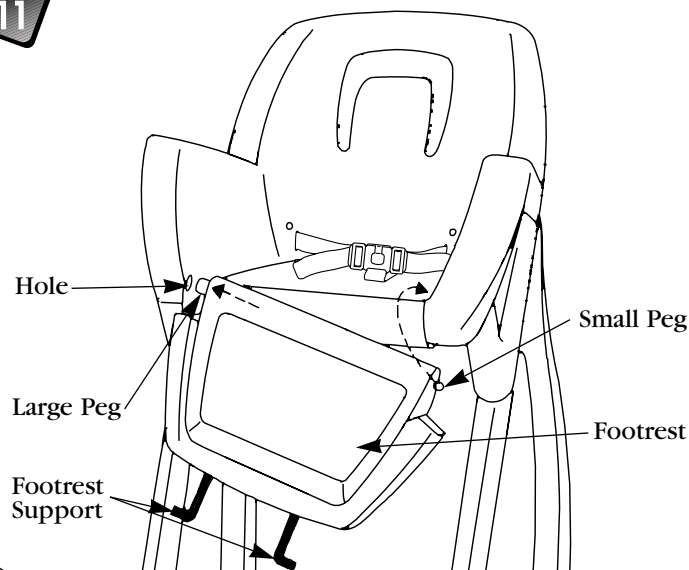
- Rotate the leg assembly toward the seat bottom.
- The support tube should rest in the groove in the seat bottom.

10



- Fit the retainers over the support tube and onto the seat bottom pegs.
- Insert two  $\frac{3}{4}$ " screws into each retainer and tighten with a Phillips screwdriver. Do not over-tighten.

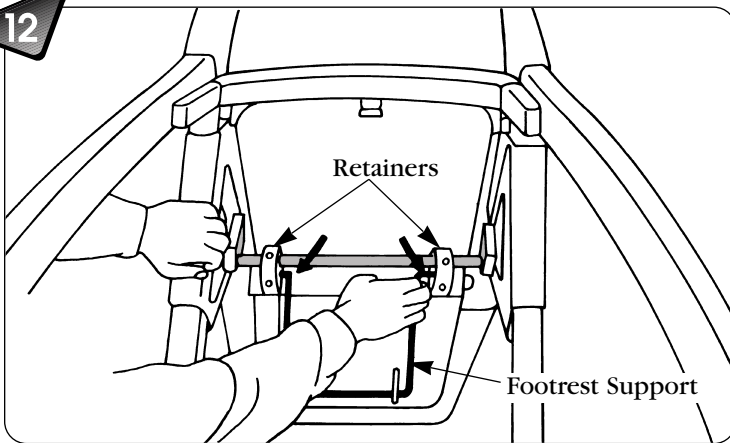
11



- Position the Adjustable High Chair upright so that the front faces you.
- Make sure the footrest support hangs freely, as shown.
- Insert the large peg on the footrest into the large hole in the seat.
- Slide the small peg on the footrest into the small hole in the seat.

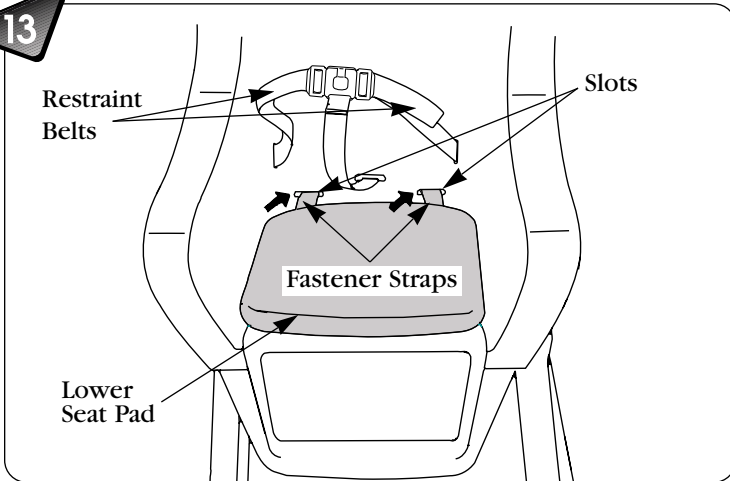
# Assembly

12



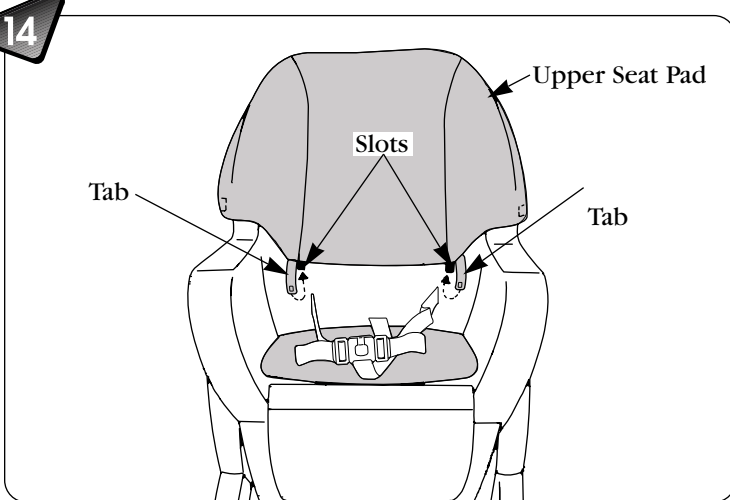
- Position the Adjustable High Chair seating side down.
- Rotate the footrest support toward the seat bottom.
- Insert one side of the footrest support into a retainer.
- Insert the other side of the footrest support into the other retainer.

13



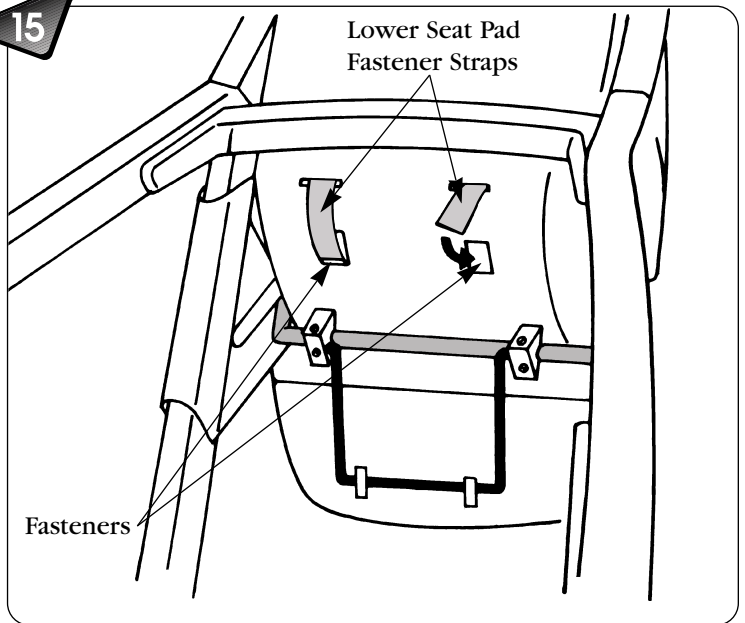
- Position the Adjustable High Chair upright.
- Lift the restraint belts.
- Place the lower seat pad on the seat.
- Insert the fastener straps into the slots in the seat.

14



- Fit the upper seat pad over the seat back.
- Insert the upper seat pad tabs through the slots in the seat back.

15

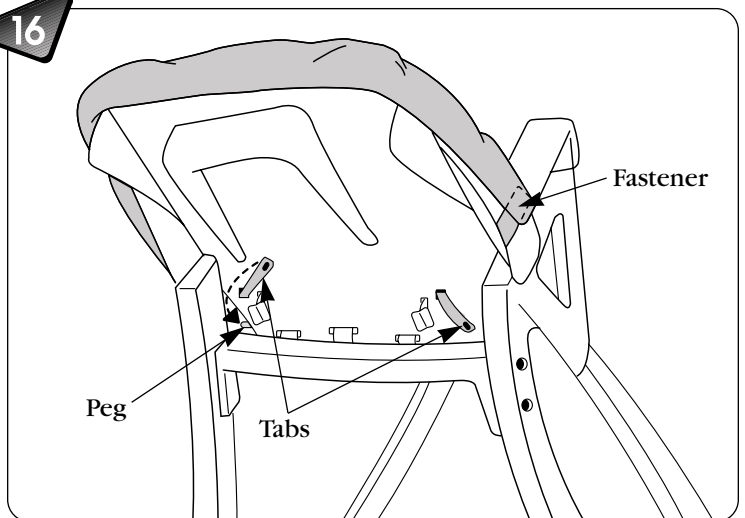


- Turn the Adjustable High Chair so that the back is facing you.
- Look under the seat and attach the lower seat pad fastener straps to the fasteners.

## CAUTION

Please keep small parts such as the scrap plastic pieces, out of children's reach. Dispose of the scrap plastic pieces properly.

16



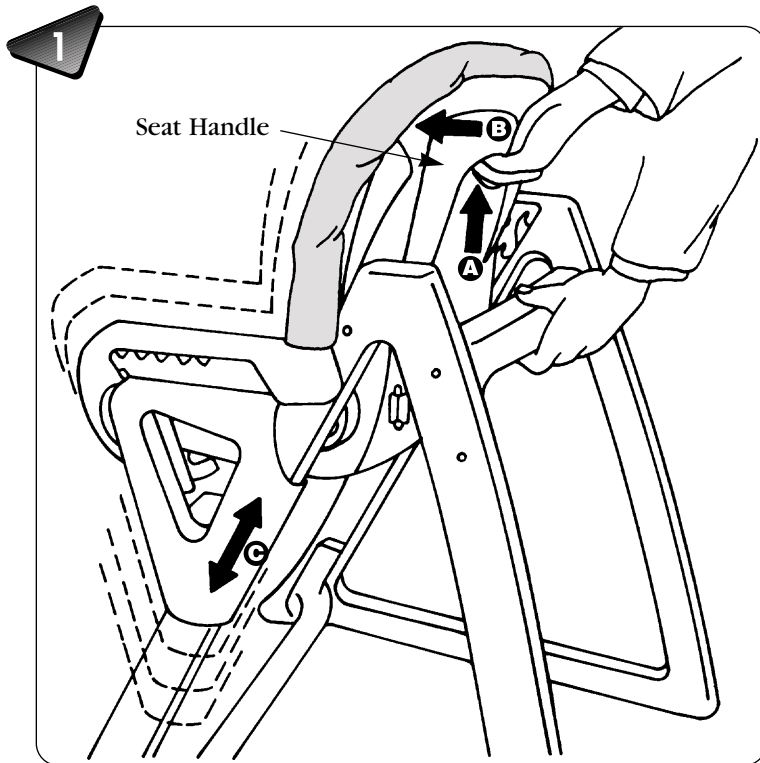
- Remove the excess plastic from the cut-out holes in the upper seat pad tabs. Dispose of the scrap plastic pieces properly.
- Attach the upper seat pad tabs to the pegs on the back of the seat.
- Attach the fasteners on both sides of the seat.

**One-time assembly is now complete.**

# Operation and Use

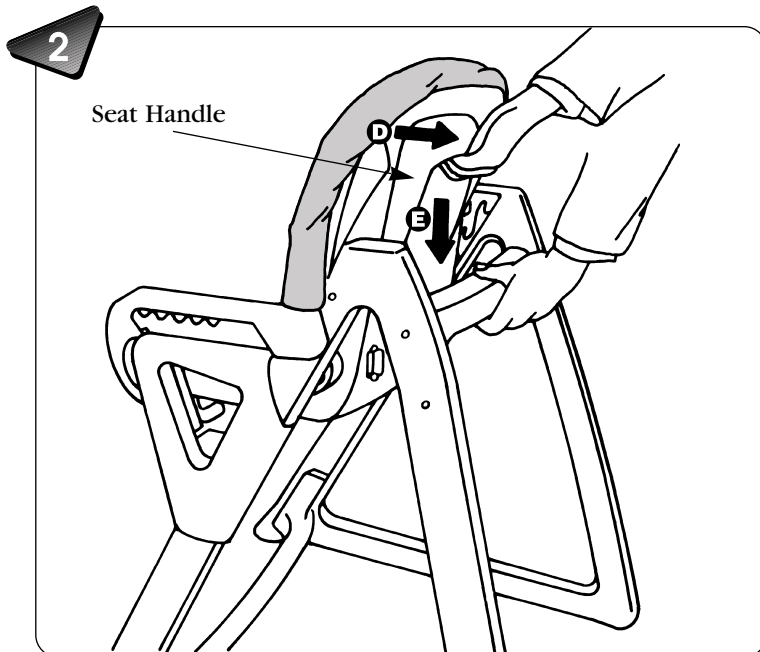
## Seat Height Adjustment

**IMPORTANT!** Do not adjust the seat height with your child in the Adjustable High Chair.



### To adjust height:

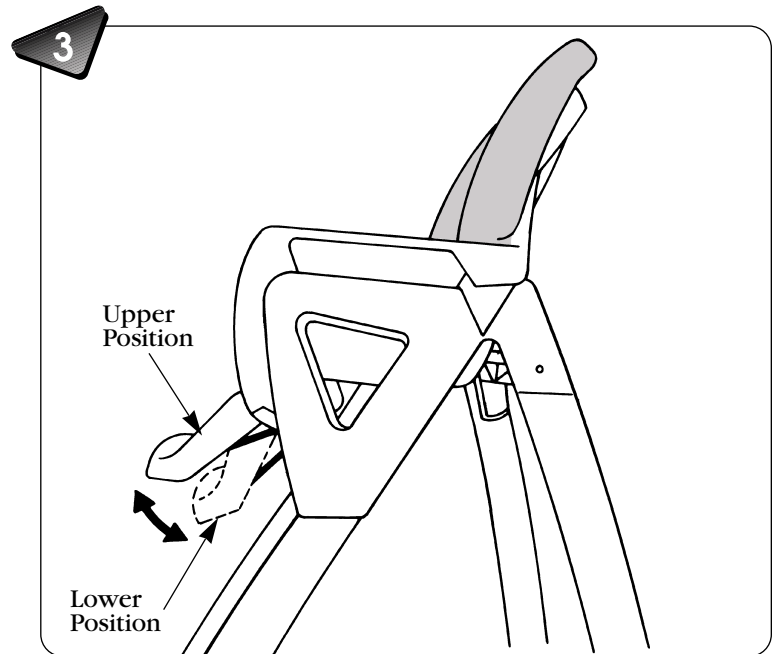
- Lift the seat handle **A** and then push the seat forward **B**.
- While pushing forward on the seat, slide the seat up or down to the desired height **C**.



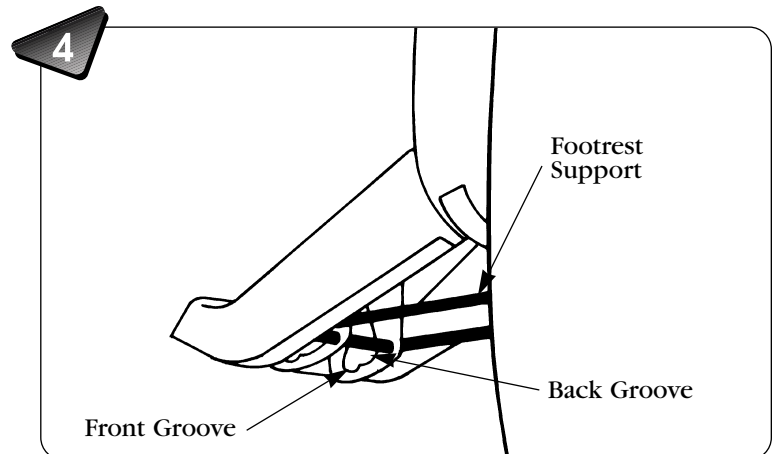
### To lock desired height:

- Pull the seat handle back **D** and then push the seat down **E**.
- Push down on the seat bottom to be sure the seat is secure at the desired height.
- Make sure both sides of the seat are adjusted to the same height.

## Footrest Adjustment



- The footrest can be adjusted to an upper or lower position.



- Slide the footrest support to the back groove for the upper position.
- Slide the footrest support to the front groove for the lower position.



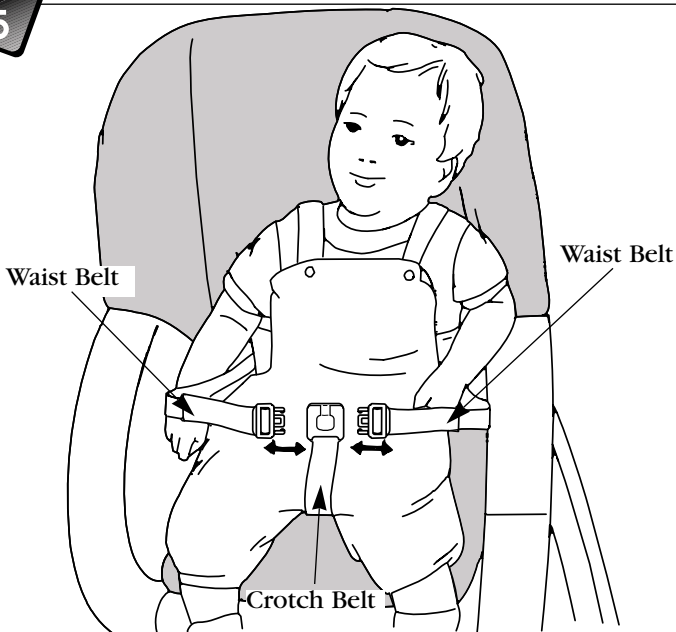
# Operation and Use

## Restraint Belts

### ⚠️ WARNING

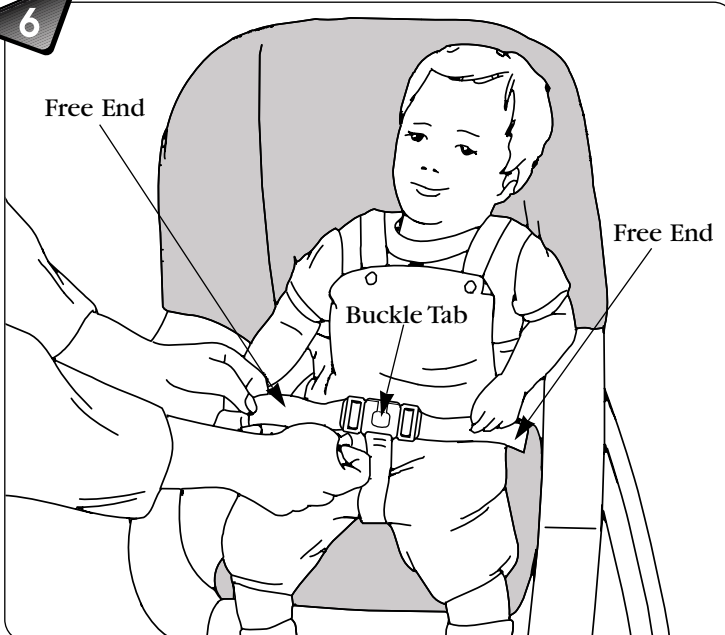
Your child should be secured in the high chair at all times by the restraint belts. The restraint belts must be adjusted to fit your child snugly.

5



- Make sure the crotch belt is on top of the seat pad.
- Place your child in the Adjustable High Chair.
- Fasten both waist belts to the crotch belt. **Make sure you hear a click on both sides!**
- Pull on the waist belts to be sure the restraint system is secure.

6



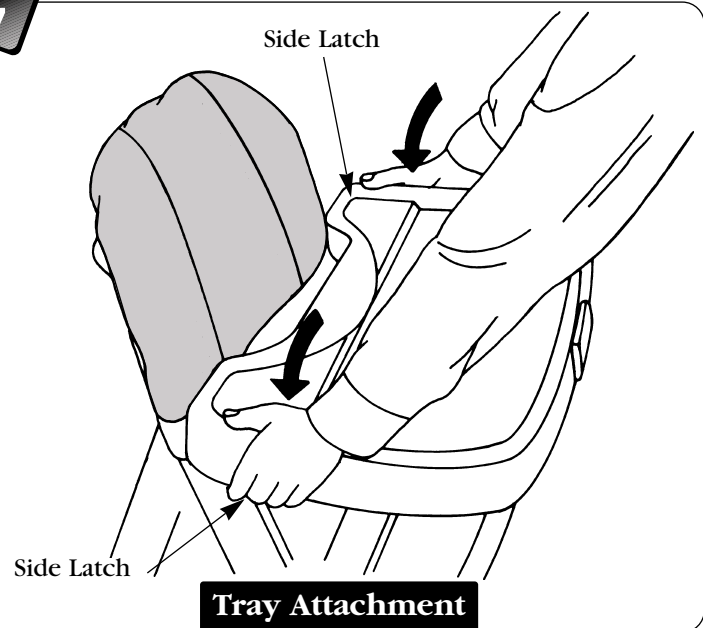
- Pull the free end of each waist belt to tighten for a snug fit.
- To release both waist belts, push the tab on the buckle.

## Tray Use

### ⚠️ WARNING

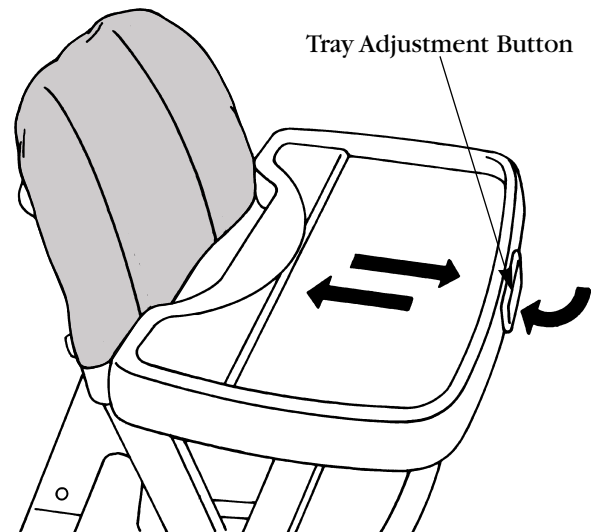
The tray is not designed to hold your child in the high chair.

7



- Press both side latches located underneath the tray.
- Place the tray onto the seat.
- Release both side latches to lock the tray in place.

8

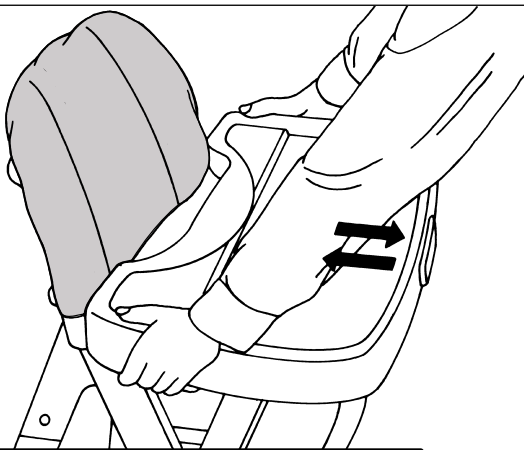


- The tray can be adjusted with one hand:
  - Press the tray adjustment button, located on the front of the tray.
  - While pressing the tray adjustment button, the tray can be moved forward to a stop or backward to a stop.
  - Release the tray adjustment button to lock the tray in the desired position.

7

## Operation and Use

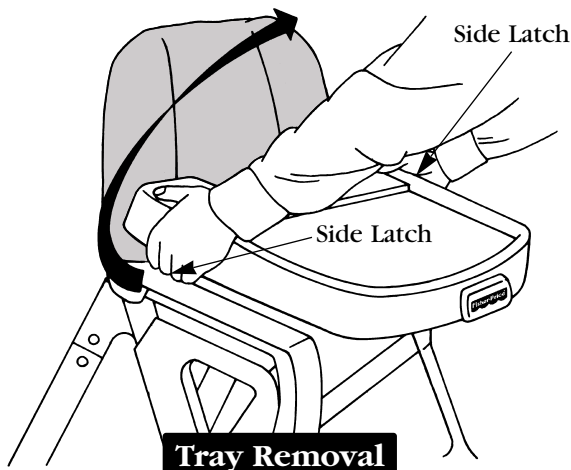
9



### Two-Hand Tray Adjustment

- The tray can also be adjusted with two hands:
  - Press both side latches located underneath the tray and move the tray forward or backward.
  - Release both side latches to lock the tray in the desired position.

10



### Tray Removal

- Press both side latches underneath the tray and lift.
- The tray can also be removed with one hand:
  - Press either side latch located underneath the tray.
  - Lift the tray and then push it off the opposite arm.

## Cleaning

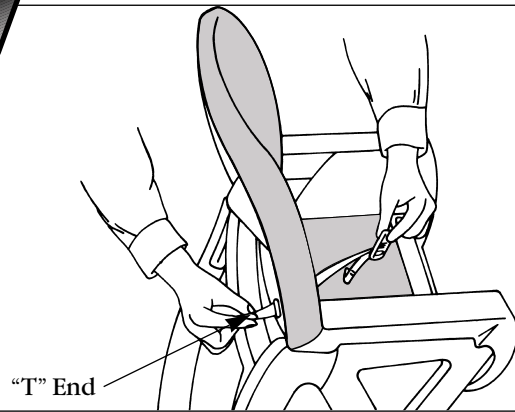
We recommend that you periodically clean and inspect the Fisher-Price® Adjustable High Chair to be sure it functions properly. The tray, frame, and pads can be cleaned with a sponge and a mild soap and water solution. Do not immerse the tray or pad. To remove the restraint belts and pads for additional cleaning, refer to the instructions which follow.

### To remove the pads:

- Unfasten the fastener straps from underneath the Adjustable High Chair to remove the lower pad.
- Remove the two tabs from the pegs on the seat back, and unfasten the fasteners on both sides of the seat to remove the upper pad.

If you have any questions about this product: **In Canada**, call 1-800-567-7724, or write to: Mattel/Fisher-Price, 6155 Freemont Blvd., Mississauga, Ontario L5R 3W2. **In Great Britain**, telephone 01734 770488. **In Australia**, call the Fisher-Price Australian Consumer Advisory Service toll-free at 1-800-800-812, or write to: Fisher-Price, Mattel Pty. Limited, 461 Plummer Street, Port Melbourne, Victoria 3207.

11

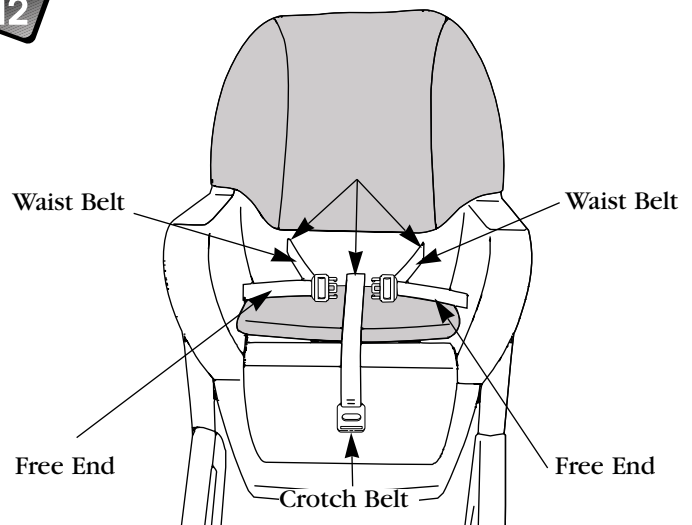


### To remove the restraint belts:

- Turn the Adjustable High Chair so that the back is facing you.
- Locate the "T" end of one of the the restraint straps and fold it flat.
- Insert the "T" end of the restraint strap through the slot in the seat back.
- Repeat this procedure to remove the other restraint straps.

**Please Note:** To clean the restraint belts, hand or machine wash them in a mild detergent and warm water. Tumble dry on a low temperature.

12



### To replace the restraint belts:

- Turn the Adjustable High Chair so that the front is facing you.
- Fold the "T" end of one of the waist belts flat.
- Insert the "T" end of the waist belt through the slot in the seat back.
- Repeat this procedure to attach the other waist belt.
- Pull the waist belts forward to be sure they are secure.
- Make sure the free end of each waist belt is toward the outside of the Adjustable High Chair.
- Fold the "T" end of the crotch belt flat and insert it into the slot behind the seat cushion.
- Pull up on the crotch belt until you feel resistance to be sure it is secure.