

# Fisher-Price®

## Instructions

# *Cradle Swing*

Model Numbers: 79386, 79454, 79456



*Cradle*



*Swing*

Please read these instructions and keep them for future reference.

Adult assembly is required.

Tool needed for assembly: Phillips Screwdriver.

Requires three, size "D" (LR20) alkaline batteries (not included).

For infants up to 25 lbs.



## WARNING

- Never leave child unattended.
- To prevent falls, never use with an active child who may be able to climb out of the seat.
- To prevent injury or death from falls or sliding out, always use the restraint system. Never rely on the tray to restrain child.



## CAUTION

Please keep small parts and plastic bags out of children's reach.  
Dispose of plastic bags properly.

## Consumer Information

Occasionally a consumer may experience a problem with one of our products. If this should happen, please call us, toll-free, rather than return this product to the store. Usually we can solve the problem on the telephone or by sending you replacement parts.

Please call Fisher-Price® Consumer Affairs, toll-free at **1-800-432-KIDS**, 8 AM - 6 PM EST Monday through Friday. Hearing-impaired consumers using TTY/TDD equipment, please call 1-800-382-7470. Or, write to: Fisher-Price® Consumer Affairs, 636 Girard Avenue, East Aurora, New York 14052.

## One (1) Year Limited Warranty

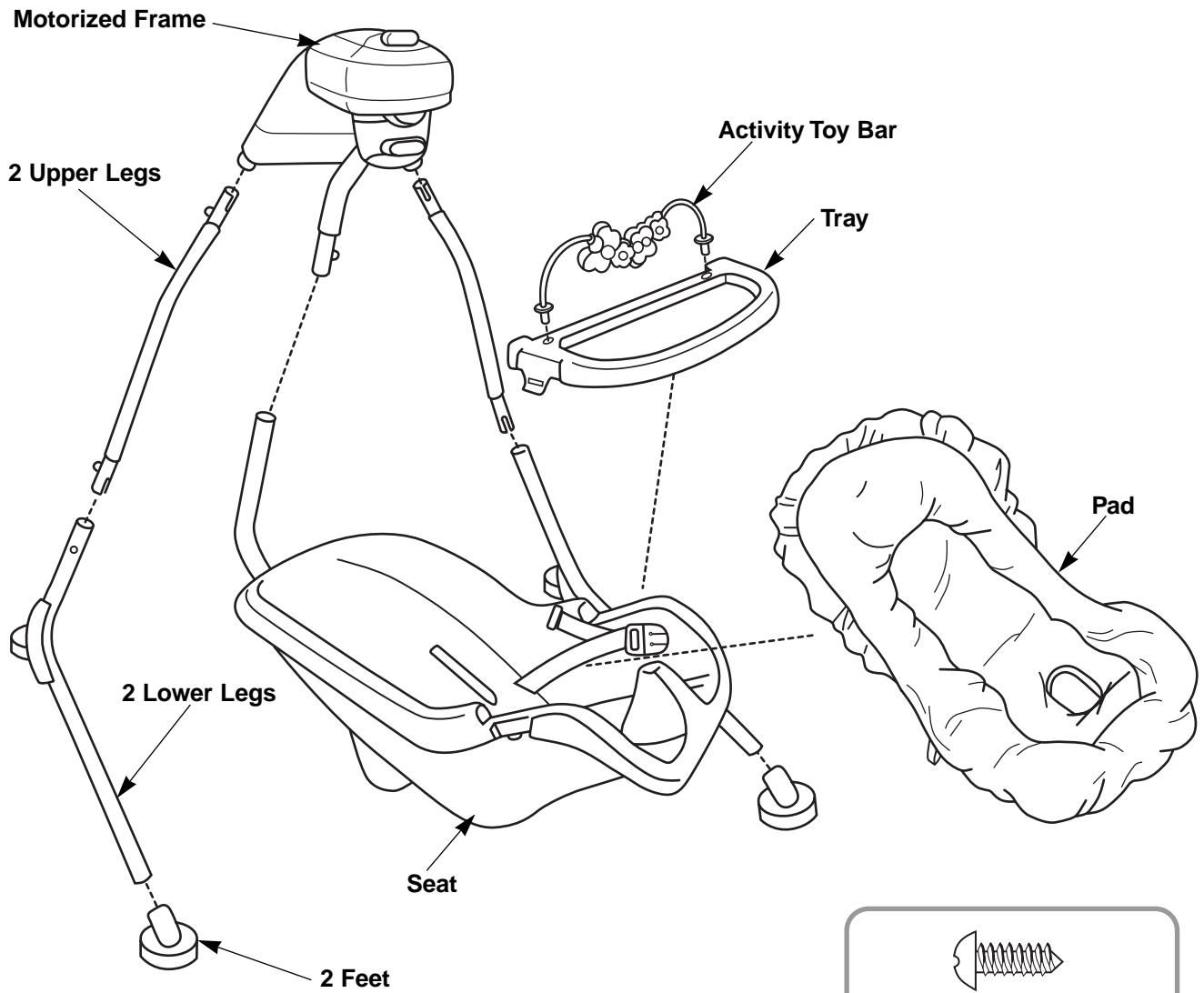
Fisher-Price, Inc., 636 Girard Avenue, East Aurora, New York 14052, warrants that the Cradle Swing is free from all defects in material and workmanship when used under normal conditions for a period of one (1) year from the date of purchase.

Should the product fail to perform properly, we will repair or replace it at our option, free of charge. Purchaser is responsible for shipping the product to Fisher-Price Consumer Affairs at the address indicated above and for all associated freight and insurance cost. Fisher-Price, Inc. will bear the cost of shipping the repaired or replaced item to you. This warranty is void if the owner repairs or modifies the product. This warranty excludes any other liability other than that expressly stated above including but not limited to any incidental or consequential damages.

**SOME STATES DO NOT ALLOW THE EXCLUSION OR LIMITATION OF INCIDENTAL OR CONSEQUENTIAL DAMAGES, SO THE ABOVE LIMITATION OR EXCLUSION MAY NOT APPLY TO YOU.**

**THIS WARRANTY GIVES YOU SPECIFIC LEGAL RIGHTS AND YOU MAY ALSO HAVE OTHER LEGAL RIGHTS WHICH VARY FROM STATE TO STATE.**

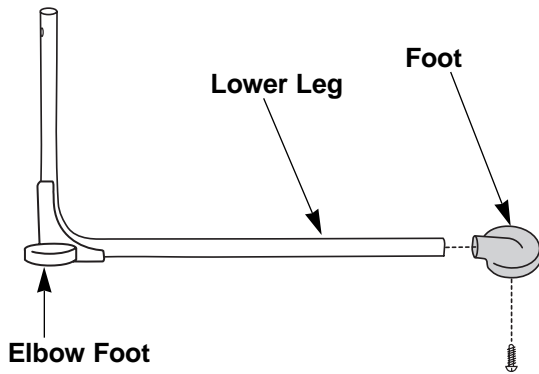
# Parts



#8 x 1/2" Screw – 3  
**SHOWN ACTUAL SIZE**

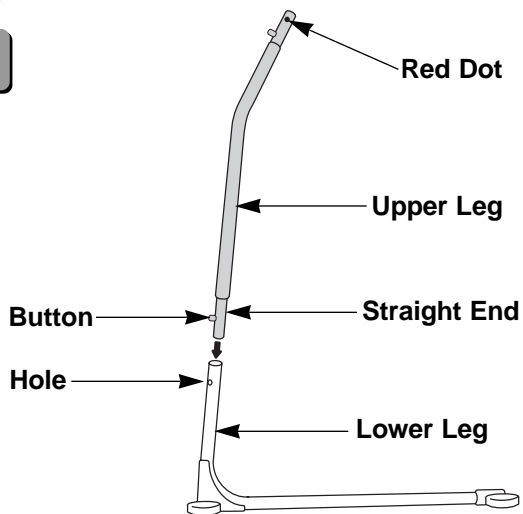
# Assembly

1



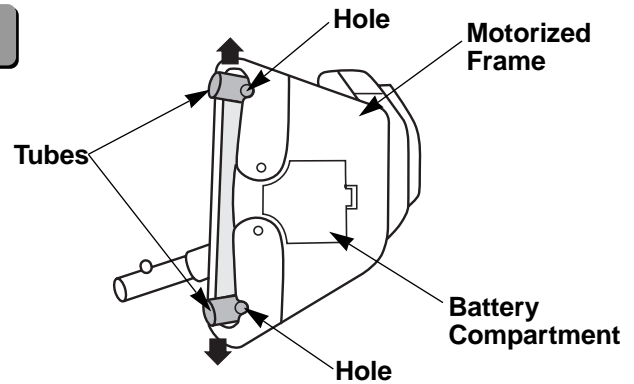
- Position one of the lower legs with the elbow foot flat upon the floor.
- Fit a foot onto the end of the lower leg.
- Insert a screw through the bottom of the foot and into the lower leg. Tighten the screw with a Phillips screwdriver. Do not over-tighten.
- Repeat this procedure to assemble the other foot to the other lower leg.

2



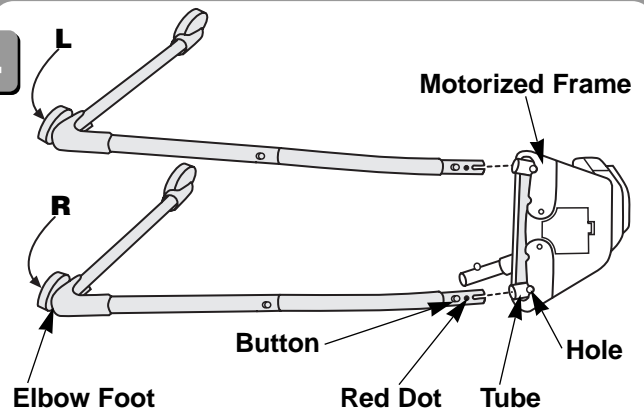
- Position an upper leg so that the **red dot is upward**.
- While pressing the button on the **straight end** of an upper leg, insert the upper leg into a lower leg. Make sure the button on the upper leg snaps into the hole in the lower leg.
- Repeat this procedure to assemble the other upper leg to the other lower leg.

3



- Position the motorized frame so that the battery compartment is toward you.
- Position the tubes in the motorized frame so that they are toward the outer edges. The holes in the tubes should be visible through the notches in the motorized frame.

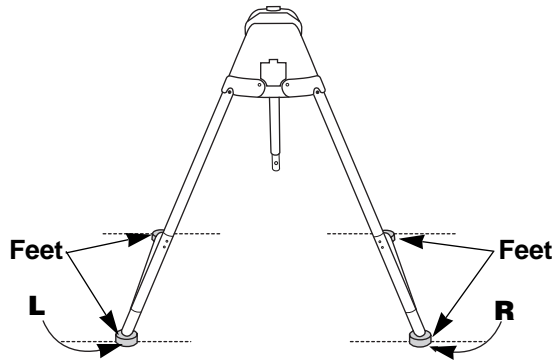
4



- Locate the **R** and **L** on the underside of each elbow foot. The **R** indicates the right leg. The **L** indicates the left leg.
- While pressing the upper button on the right leg, fit it into the tube in the motorized frame. Make sure the upper button on the right leg snaps into the hole in the tube.
- While pressing the button on the left leg, fit it into the tube in the motorized frame. Make sure the button on the left leg snaps into the hole in the tube.
- When the legs are assembled correctly to the tubes in the motorized frame, you should not see the red dots.

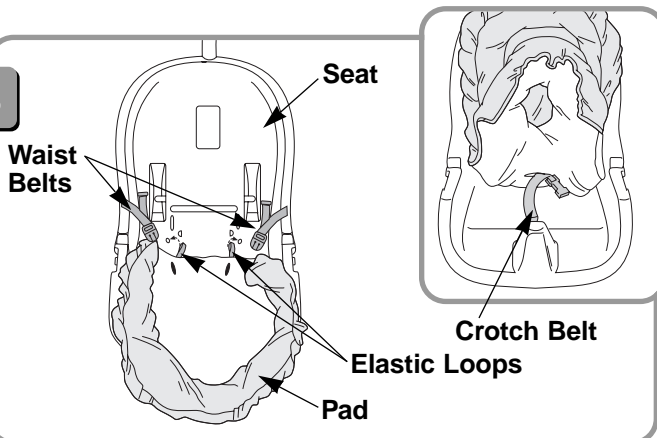
# Assembly

5



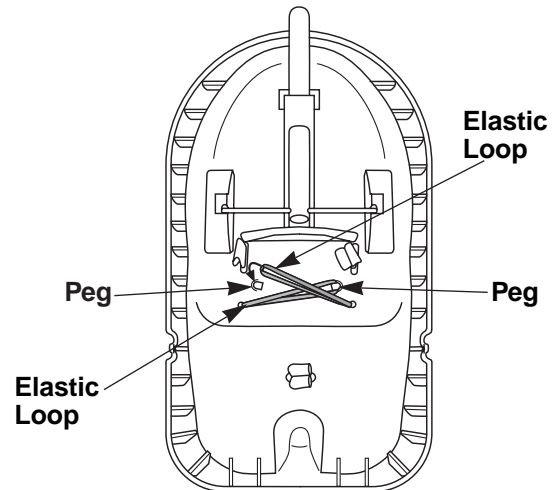
- Stand the assembly upright. All four feet should be flat upon the floor. Also, when standing behind the product, check for an **L** marking on the left foot and an **R** marking on the right foot.
- If the feet are not flat upon the floor, or the left and right feet have been reversed, simply remove both legs and replace them on the opposite tube in the motorized frame. Again, **check to be sure all four feet are flat upon the floor.**

6



- Position the seat upright.
- Place the pad onto the seat with the ruffle toward the top of the seat.
- Fold the top of the pad down. Insert the waist belts through the slots in the pad. Make sure the waist belts are not twisted.
- Insert the two elastic loops on the pad through the holes in the seat bottom.
- Fold the bottom of the pad up. Insert the crotch belt through the slot in the pad. Make sure the crotch belt is not twisted.

7

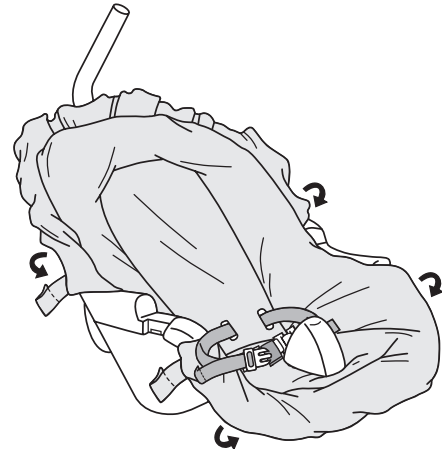


Bottom View of Seat

- While holding the elastic loops in place, turn the seat face down.
- Hook the elastic loop on the left side onto the peg on the right side.
- Hook the elastic loop on the right side onto the peg on the left side.

**Helpful Hint:** The elastic loops should cross over each other when attached correctly to the pegs.

8

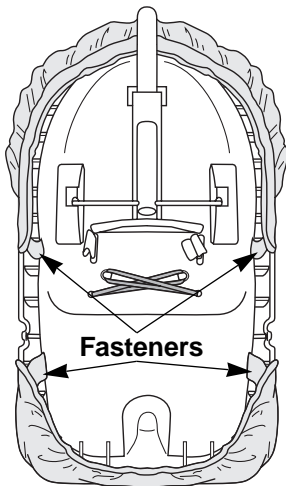


- Turn the seat upright.
- Fit the pad edges around the rim of the seat.

5

# Assembly

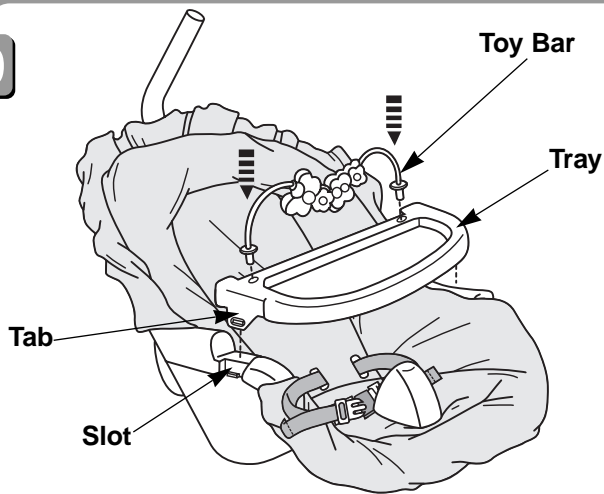
9



Bottom View of Seat

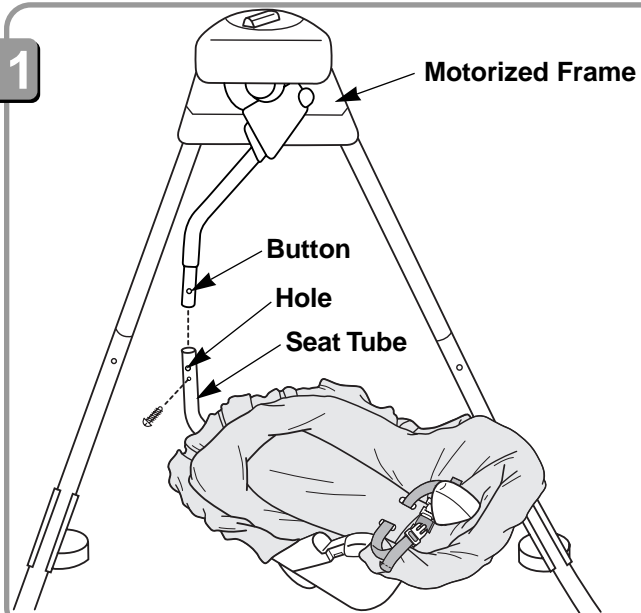
- Turn the seat face down.
- Fasten the four fasteners on the underside of the pad to the fasteners under the rim of the seat.

10



- Insert the tray tabs into the slots in each side of the seat.
- Insert the ends of the toy bar into the holes in the tray. Press down on the ends of the toy bar to be sure they are secure.

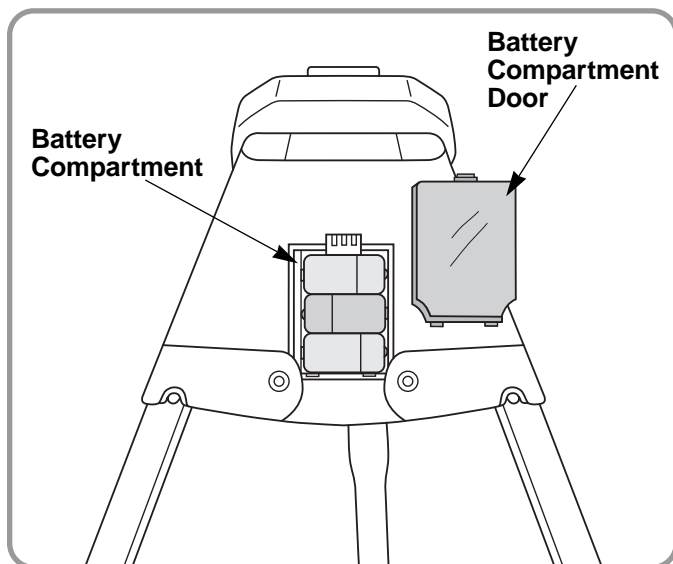
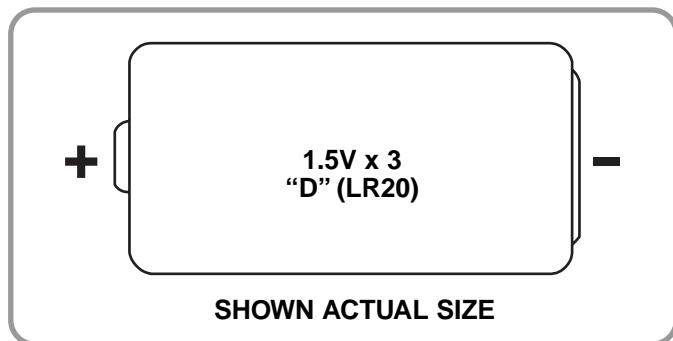
11



- Press the button on the motorized frame tube and slide the seat tube onto the motorized frame tube. Make sure the button on the motorized frame tube locks into the larger hole in the seat tube.
- Insert a screw through smaller hole in the seat tube and into the motorized frame tube.
- Tighten the screw with a Phillips screwdriver. Do not over-tighten.

**Assembly is now complete.**

# Battery Installation



## Battery Tips

- Do not mix old and new batteries.
- Do not mix different types of batteries: alkaline, standard (carbon-zinc) or rechargeable (nickel-cadmium).
- Remove the batteries during long periods of non-use. Always remove exhausted batteries from this product. Battery leakage and corrosion can damage this product.
- Never short-circuit the battery terminals.
- Non-rechargeable batteries are not to be recharged.
- Only batteries of the same or equivalent type as recommended in the battery installation instructions are to be used.
- If removable rechargeable batteries are used, they are only to be charged under adult supervision.
- Rechargeable batteries are to be removed from the product before they are charged.
- If you use a battery charger, it should be examined regularly for damage to the cord, plug, enclosure and other parts. Do not use a damaged battery charger until it has been properly repaired.

**Assembly is now complete.**

- Using a coin, press the tab on the battery compartment door and remove it.
- Insert three size "D" (LR20) alkaline batteries, as indicated inside the battery compartment.
- Replace the battery compartment door.

**Helpful Hint:** *If the swinging motion becomes noticeably slower, remove the batteries and replace them with three, new size "D" (LR20) alkaline batteries. Dispose of exhausted batteries properly.*

## Cradle and Swing Use

*Your Cradle Swing changes from a traditional swing to a rocking cradle at the push of a button!*

**IMPORTANT!** Before each usage or assembly, inspect this product for damaged hardware, loose joints, missing parts or sharp edges. Do not use if any parts are missing or broken. Contact Fisher-Price® for replacement parts and instructions if needed. Never substitute parts.



**Cradle**

Side-to-side swinging motion soothes baby.



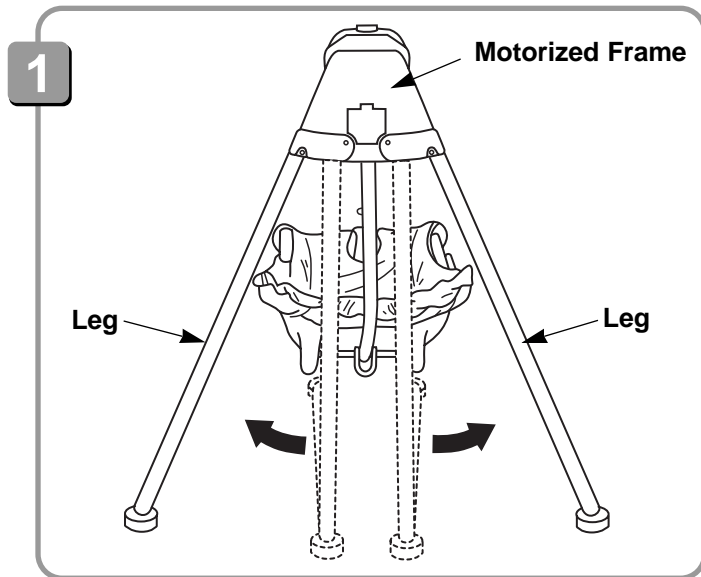
**Swing**

Head-to-toe swinging motion entertains baby.



# Cradle and Swing Use

## To Unfold

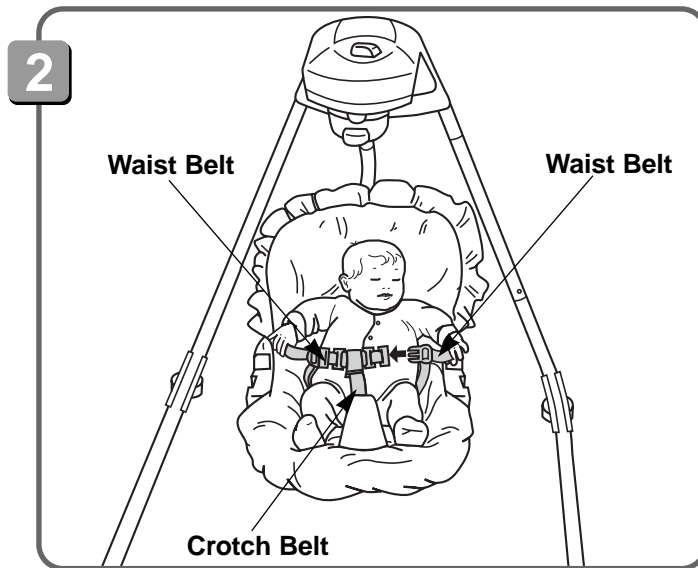


- Firmly pull the legs outward. Make sure the buttons snap into the notches in the motorized frame.
- Check to be sure the legs are locked into position, by pushing the legs inward. The legs should not move.

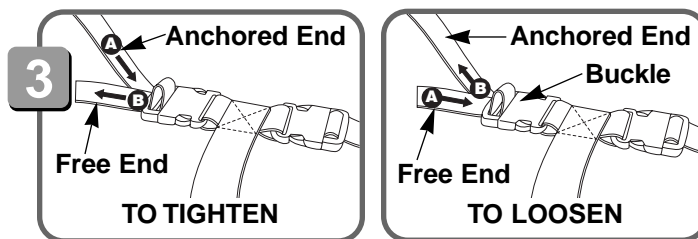
## WARNING

To prevent injury or death from falls or sliding out, always use the restraint system. Never rely on the tray to restrain child.

## Restraint Belts



- Place your child in the seat.
- Pull the crotch belt up between your child's legs and fasten both waist belts to the crotch belt. **Make sure you hear a "click" on both sides.**



### To tighten the waist belts:

- Feed the anchored end of the waist belt up through the buckle to form a loop **A**.
- Pull the free end of the waist belt **B**.
- Repeat this procedure to tighten the other waist belt.

### To loosen the waist belts:

- Feed the free end of the waist belt up through the buckle to form a loop **A**.
- Enlarge the loop by pulling on the end of the loop toward the buckle.
- Pull the anchored end of the waist belt to shorten the free end of the waist belt **B**.
- Repeat this procedure to loosen the other waist belt.

# Cradle and Swing Use

## Power Settings

4

Power Dial



### To start:

- Turn the power dial to the medium setting. The power indicator will light.
- Give the seat a light push to start the swinging motion. Adjust the power dial to the desired swing motion setting: low, medium or high.

### Helpful Hints:

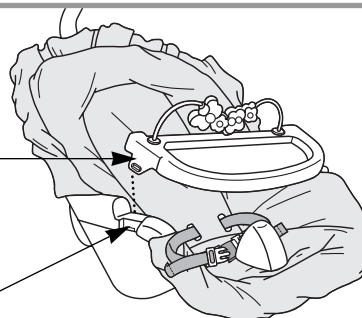
- As with most battery-powered swings, a heavier child will reduce the amount of swinging motion on all settings. In most cases, the low setting works best for a smaller child while the high setting works best for a larger child.
- If the low setting provides too much swinging motion for your child, try placing one end of a blanket underneath your child and let the other end of the blanket drape down while swinging.

## Using the Tray

5

Tab

Slot



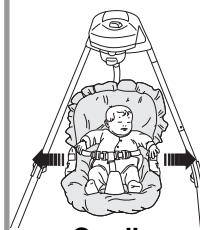
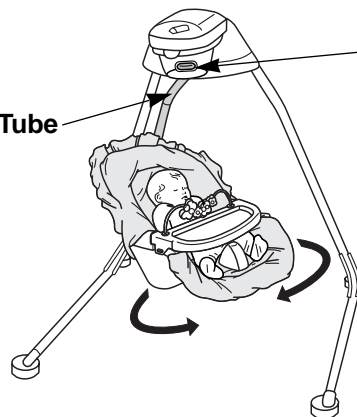
- Fit the tabs on the tray into the slots in the sides of the seat.
- To remove the tray, pull the tab out on one side of tray and lift.

## Adjust Positions

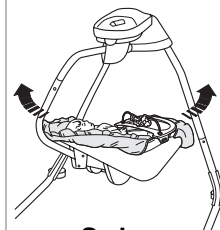
6

Seat Tube

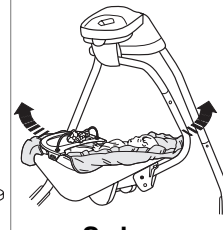
Seat Tube Button



Cradle



Swing



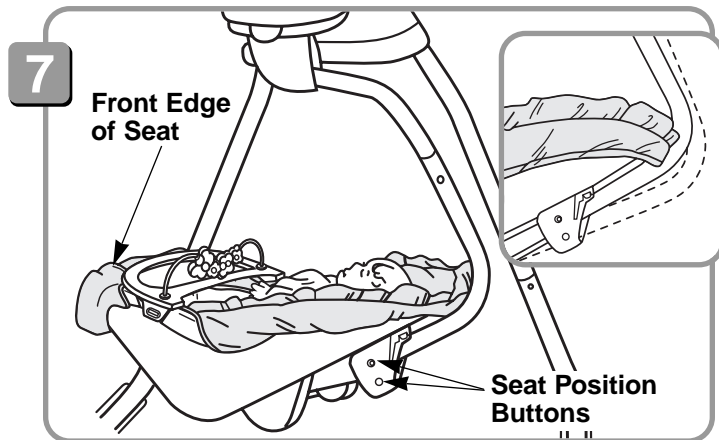
Swing

You can adjust the seat tube to three different positions:

- Press the seat tube button to unlock the seat tube.
- Rotate the seat tube to the desired position.

# Cradle and Swing Use

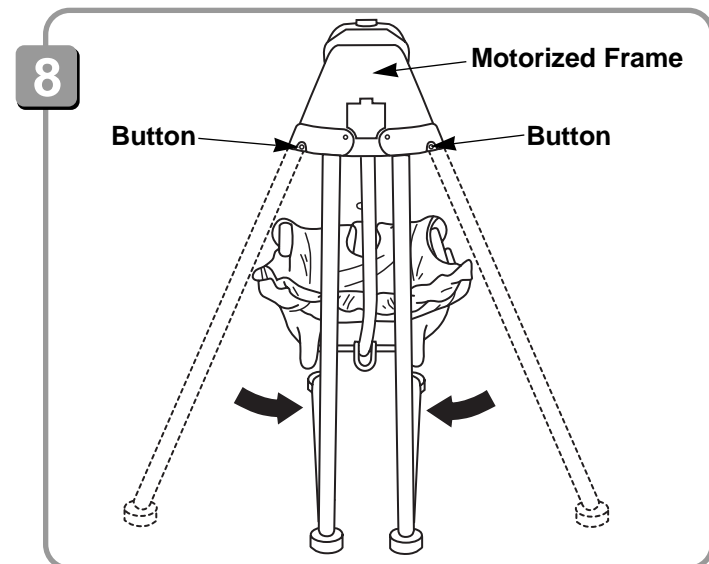
## Adjust to Recline or Upright Positions



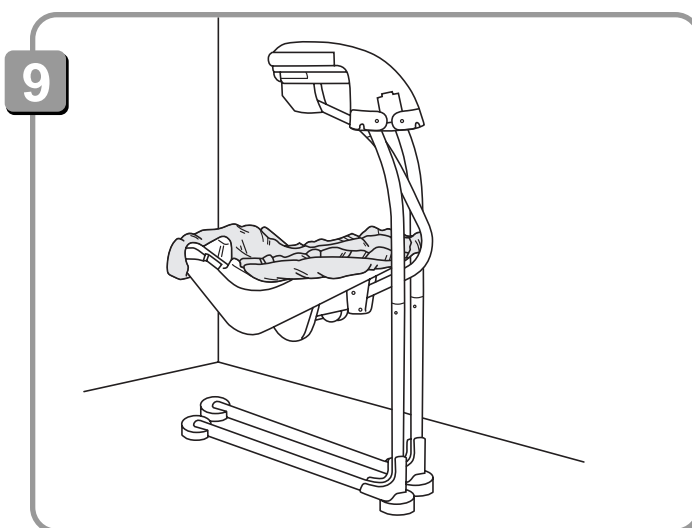
You can adjust the seat to two different positions: Recline or Upright.

- From behind the seat, press both seat position buttons.
- Push the seatback up until the buttons snap into the upright position.
- Push the seatback down until the buttons snap into the recline position.

## Storage



- Press the buttons on the back of the motorized frame while pushing the legs inward.



- Lean the Cradle Swing frame against a wall for storage.

**IMPORTANT!** Remove the batteries for long-term storage.

**Helpful Hint:** The legs may be disassembled for long-term storage. Simply press the buttons on the legs and remove the upper and lower legs.

## Care

- Remove the tray from the seat.
- Unbuckle the restraint system.
- Remove the elastic loops from the pegs and unfasten the fasteners from underneath the seat.
- Remove the pad from the restraint system.
- Machine wash the pad in cold water with a mild detergent. Do not use bleach. Tumble dry on low heat and remove promptly.
- To clean the seat, restraint system, tray, toy bar and motorized frame, use a mild cleaning agent and damp cloth. Rinse with clean water to remove residue.
- Replace the pad onto the seat.
- Periodically check the Cradle Swing for loose fasteners or broken parts and tighten as needed.

# Problems and Solutions

Condition	Probable Cause	Correction Required
Power indicator does not light, motor is not running	Power is not on	Turn the power dial to low, medium or high.
	Batteries incorrectly installed	Remove the batteries and replace in correct orientation, as illustrated in the battery compartment.
	Dead batteries	Replace all three batteries with three, fresh, size "D" alkaline batteries.
Motor is running but swinging stops after a few minutes	Need to start swinging motion	To start swinging motion, give the seat a light push.
	Swing motion setting is inappropriate for child's weight	Adjust the power dial to another setting and give the seat a light push.
	Weak batteries	Replace all three batteries with three, fresh, size "D" alkaline batteries.
No difference noticed in swinging motion after power dial is adjusted	Swing did not have sufficient time to adjust to different setting	Allow the swing time to adjust to new setting.
	Weak batteries	Replace all three batteries with three, fresh, size "D" alkaline batteries.

If you have any questions about this product:

**In Canada**, call 1-800-567-7724, or write to: Mattel Canada Inc, 6155 Freemont Blvd., Mississauga, Ontario L5R 3W2.

**In Great Britain**, telephone 01628 500302.

**In Australia**, call the Consumer Advisory Service at 1-800-800-812 (valid only in Australia), or write to: Mattel Australia Pty., Ltd., 658 Church Street, Locked Bag #870, Richmond Victoria 3121 Australia.