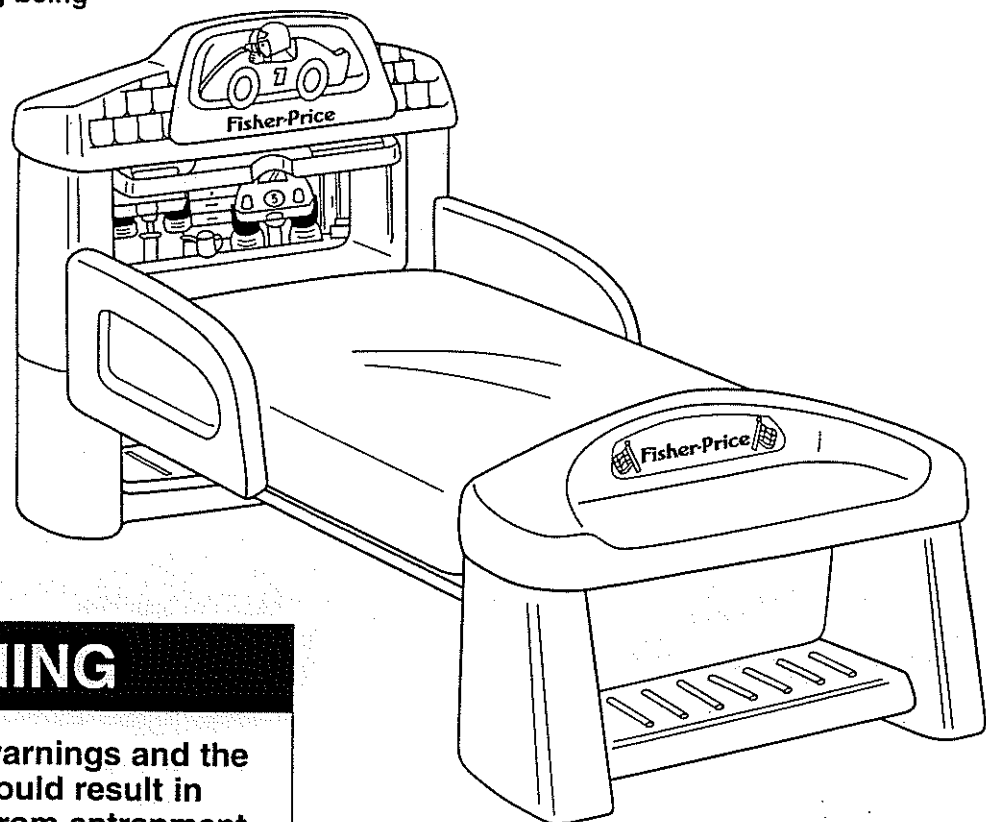


Instructions

My Little Garage Bed

- Please read these instructions and save them for future reference.
- Adult assembly is required.
- My Little Garage Bed is recommended for children who are ready to progress from a crib to a bed, including being able to get on and off a bed unassisted.
- Tools needed for assembly: Hammer and Phillips Screwdriver.



WARNING

Failure to follow these warnings and the assembly instructions could result in serious injury or death from entrapment or strangulation.

- Use only a full size crib mattress at least 27 $\frac{1}{4}$ " (690 mm) by 51 $\frac{5}{8}$ " (1310 mm) by 5" (127 mm) thick.
- Always use guard rails.
- Never place bed near windows where cords from blinds or drapes may strangle a child.
- Regularly inspect bed for damage. DO NOT use bed if any parts are missing or broken. Call Fisher-Price (1-800-432-KIDS in U.S.A.) for replacement parts and instructions if needed. DO NOT substitute parts.
- Make sure the space between the bed and the wall or other furniture is less than 2 $\frac{3}{8}$ " or more than 8".

Message to Parents

Thank you for purchasing the Fisher-Price My Little Garage Bed for your child. My Little Garage Bed can convert from a toddler bed to a bookshelf/bench for extended use.

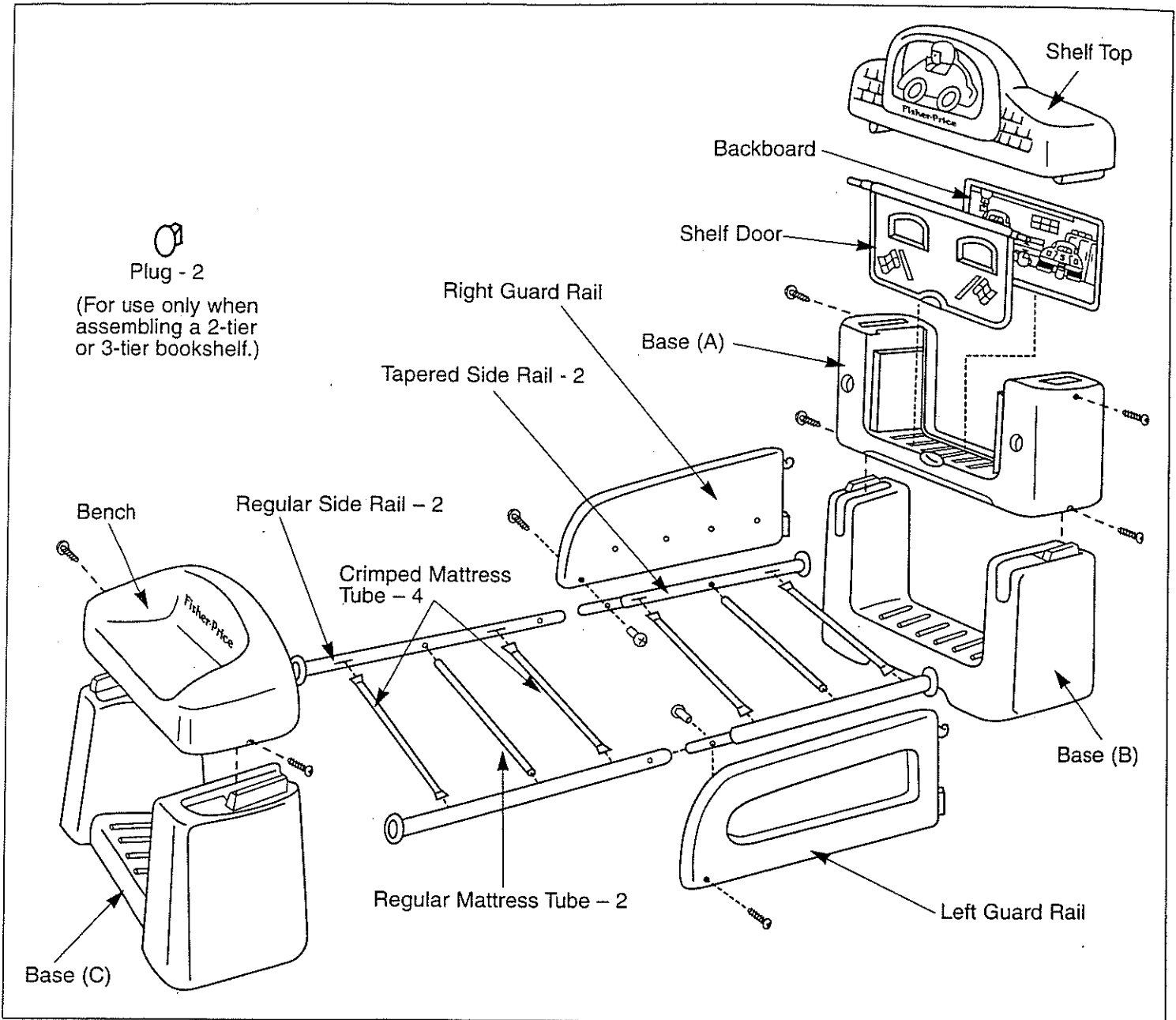
My Little Garage Bed should be assembled by an adult. Please read these instructions thoroughly and identify all parts before assembly. Refer to the parts illustration for identification.

If you have any questions about this product, please call Fisher-Price Consumer Affairs, toll-free at **1-800-432-KIDS** (1-800-432-5437) between 8 AM and 6 PM Eastern time, Monday through Friday, or write to:

Fisher-Price, Inc.
Attn: Consumer Affairs
636 Girard Avenue
East Aurora, New York 14052

Hearing impaired consumers using TTY/TDD equipment, please call 1-800-382-7470.

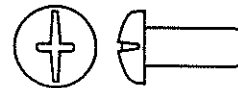
Parts



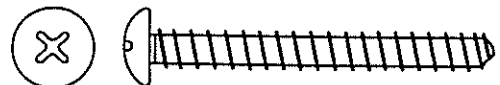
CAUTION

Please keep small parts, hardware and plastic bags out of children's reach.

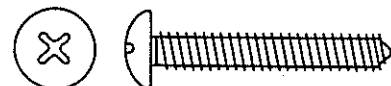
- Please save all packaging material until assembly is complete to ensure no parts are discarded.
- If you experience a problem with this product or are missing a part, please call us at **1-800-432-KIDS**, rather than returning this product to the store.
- Before assembling My Little Garage Bed, please wipe each part with a clean, dry cloth.



#10 - 24 x 1/2" Barrel Nut - 2



#10 - 16 x 1/4" Screw - 6

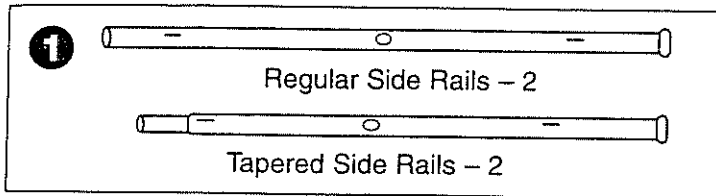


#10 - 24 x 1/4" Screw - 2

All Shown Actual Size

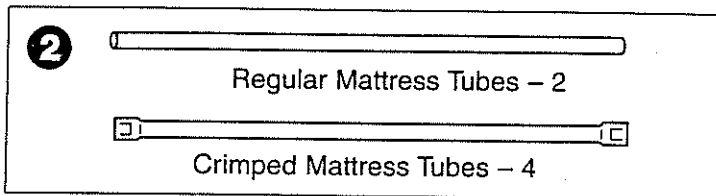
Assembly

IMPORTANT! The assembly of the metal frame in this product is a permanent assembly. To ensure the metal frame is assembled correctly, it is important to sort the different types of side rails and mattress tubes.

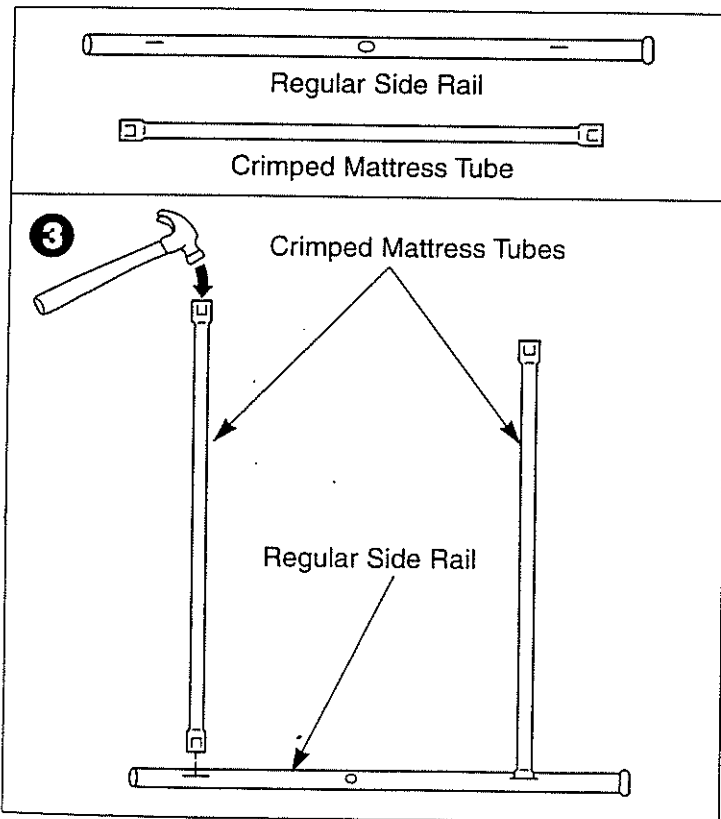


NOTE: The regular and tapered side rails look very similar. The regular side rail, however, is longer than the tapered side rail.

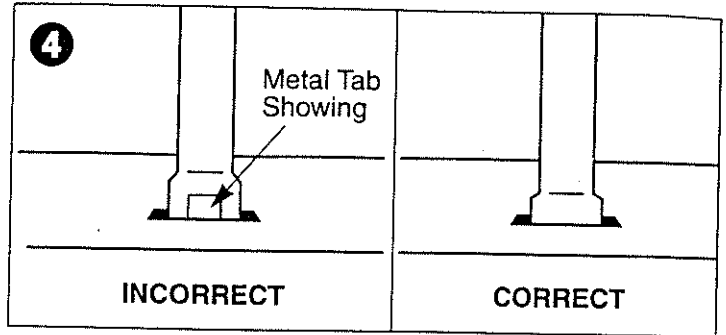
- Identify and sort the regular side rails (there are two) from the tapered side rails (there are two).



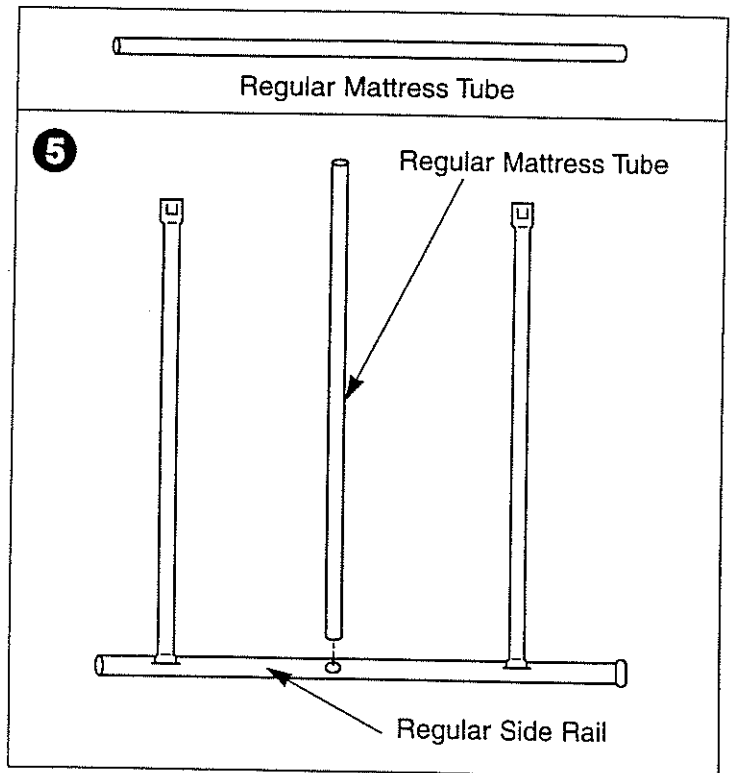
- Identify and sort the regular mattress tubes (there are two) from the crimped mattress tubes (there are four).



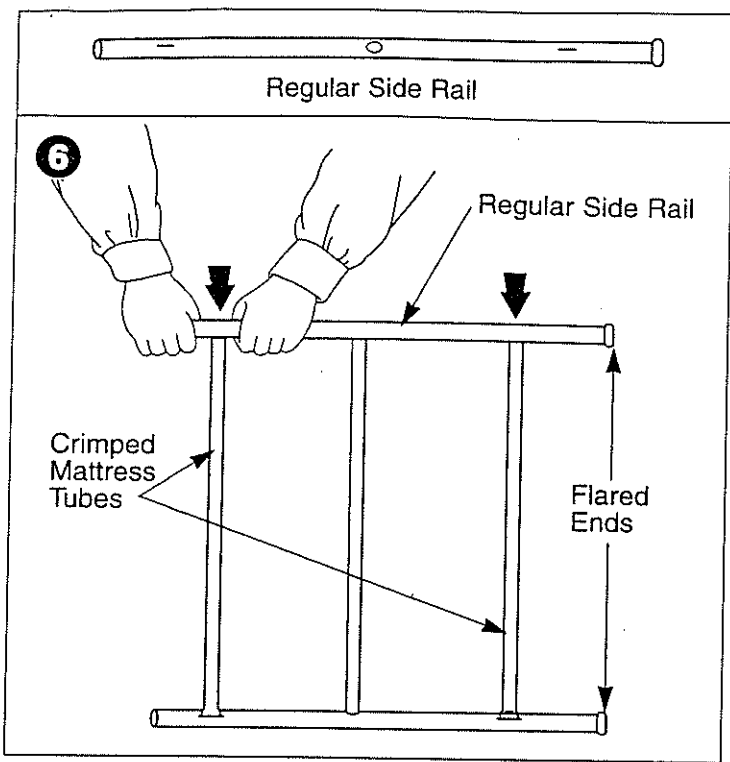
- Place one of the regular side rails on a soft, flat surface.
- Insert a crimped mattress tube into each slot in the regular side rail.
- Tap the ends of the crimped mattress tubes with a hammer until they snap into place.



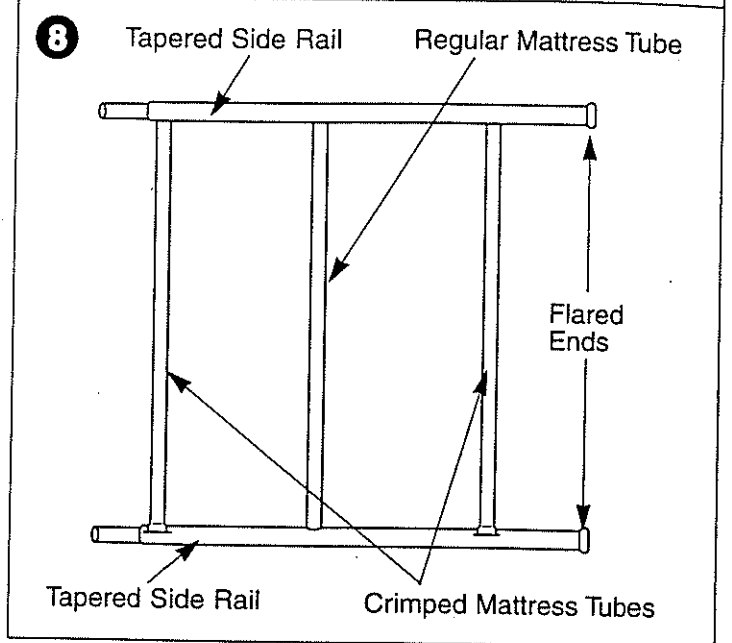
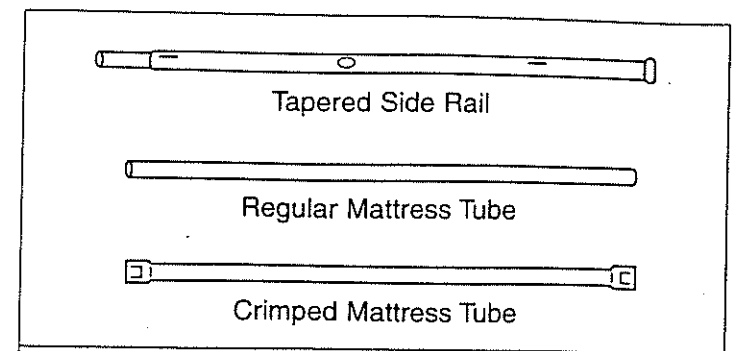
- Check to be sure the crimped mattress tubes are inserted properly.
- There is a metal tab on one side of the crimped end. Make sure the metal tab is not showing.
- **Pull up firmly on the crimped mattress tubes to be sure they are securely in place.**
- If the crimped mattress tubes can be removed from the regular side rail, re-read and repeat steps 3 and 4.



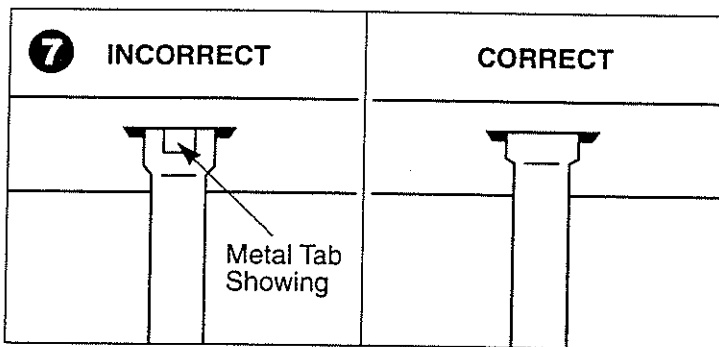
- Insert the regular mattress tube into the hole in the regular side rail.



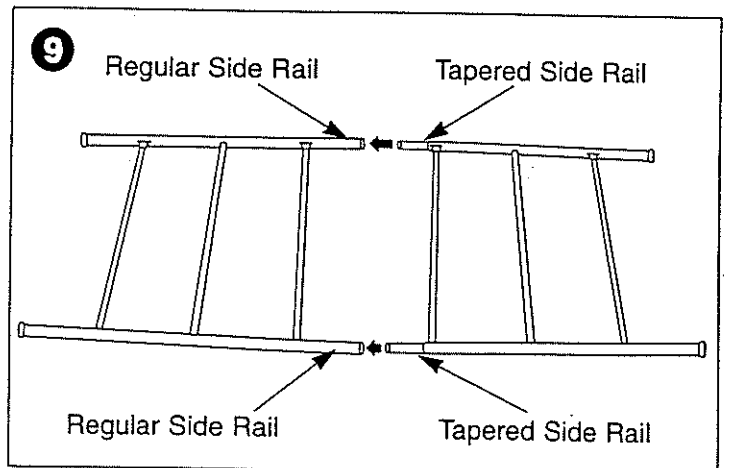
- Position the other regular side rail so that the **flared ends of each regular side rail are on the same side.**
- Fit the slots and hole in the regular side rail onto the mattress tubes.
- Push down on **both ends** of the regular side rail to be sure the crimped mattress tubes snap into place.



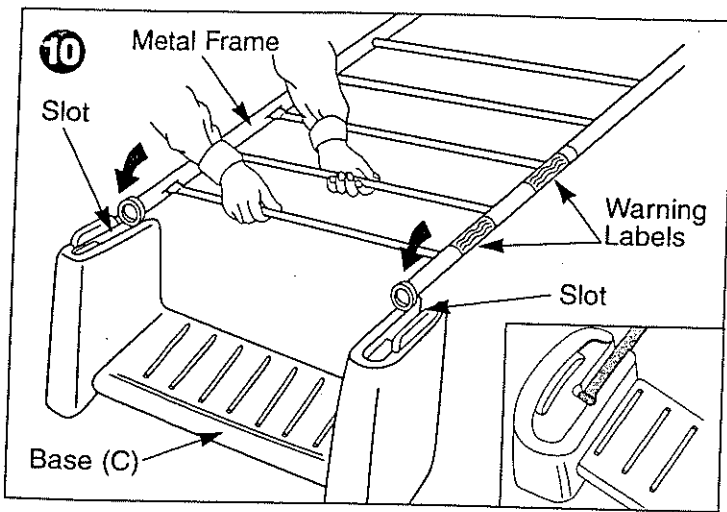
- Repeat steps 3 - 7 to assemble the tapered side rails and remaining crimped and regular mattress tubes.
- **Make sure the flared ends of each tapered side rail are on the same side.**



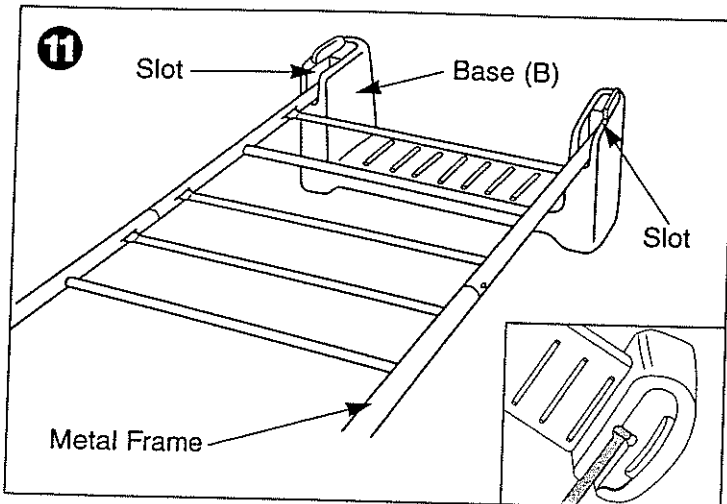
- Check to be sure the crimped mattress tubes are inserted properly.
- There is a metal tab on one side of the crimped end. Make sure the metal tab is not showing.
- **Pull up firmly on the regular side rail to be sure the mattress tubes are securely in place.**
- If the regular side rail can be removed from the crimped mattress tubes, re-read and repeat steps 6 and 7.



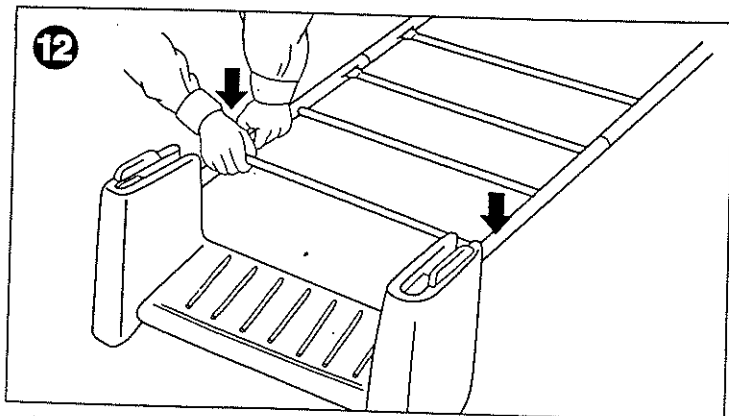
- Place both metal frame assemblies on a flat surface.
- Insert the tapered side rails into the regular side rails.



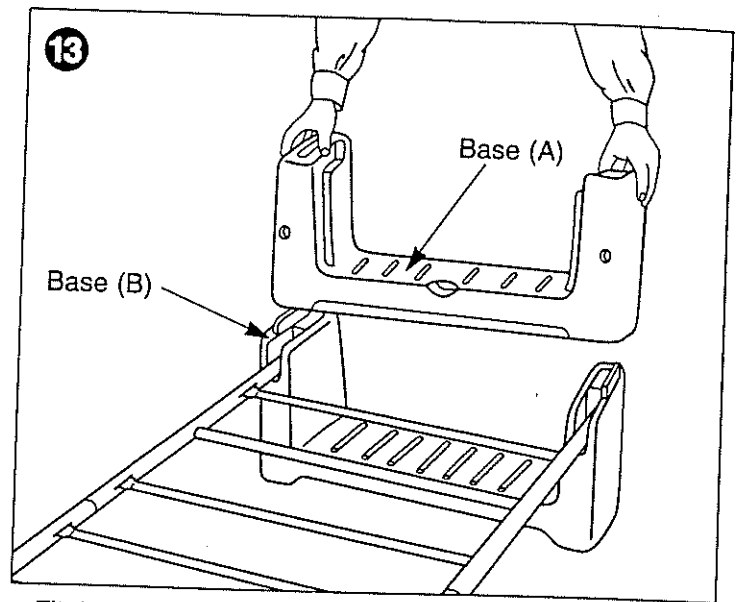
- Place the base labeled C on a flat surface.
- Position the metal frame so that the warning labels are right-side-up and toward you.
- Fit one end of the metal frame into the slots in the base labeled C.
- Make sure the ends of the metal frame are completely inserted into the slots in the base.



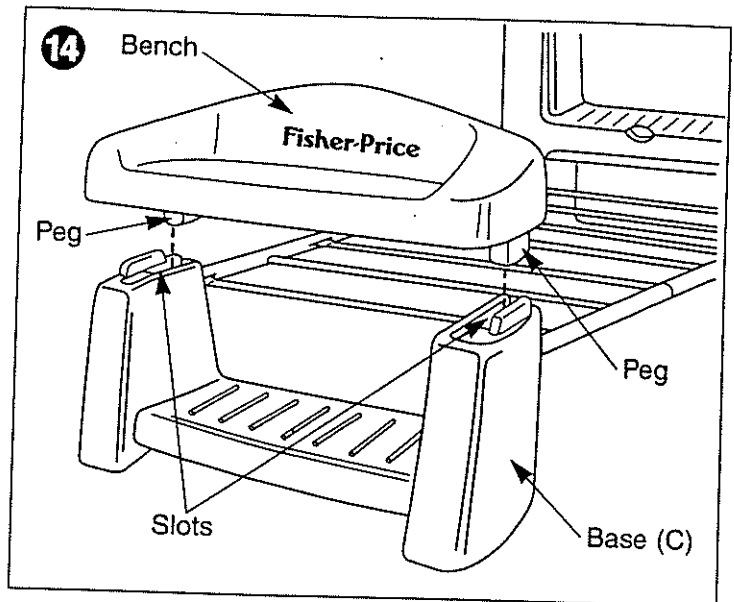
- Place the base labeled B on a flat surface.
- Fit the other end of the metal frame into the slots in the base labeled B.
- Make sure the ends of the metal frame are completely inserted into the slots in the base.



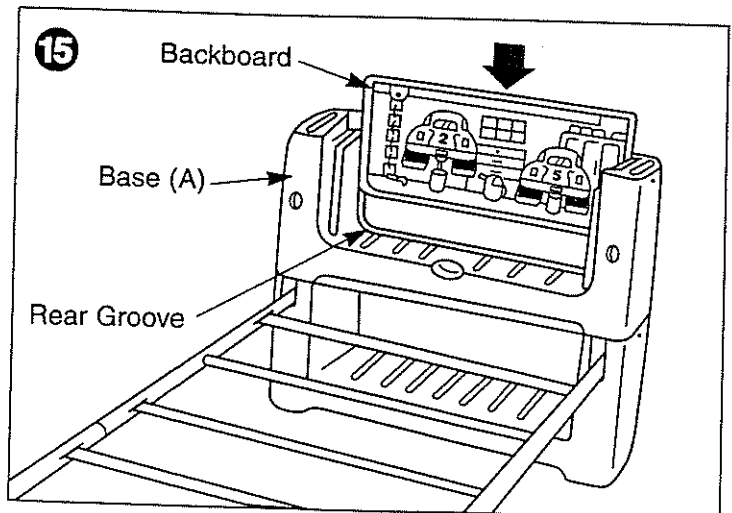
- Push down on all four ends of the metal frame to be sure the metal frame is completely inserted into the slots in the base.



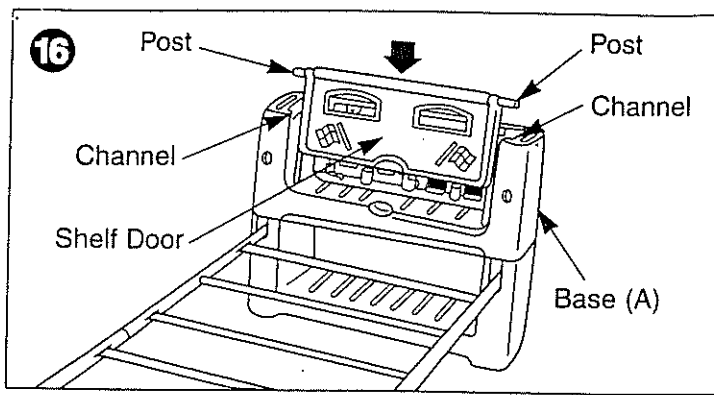
- Fit the base labeled A onto the base labeled B.



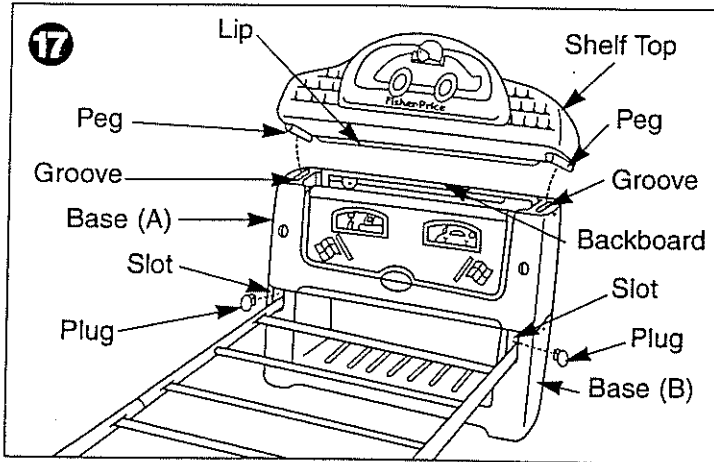
- Fit the pegs on the bench into the slots in the base labeled C.



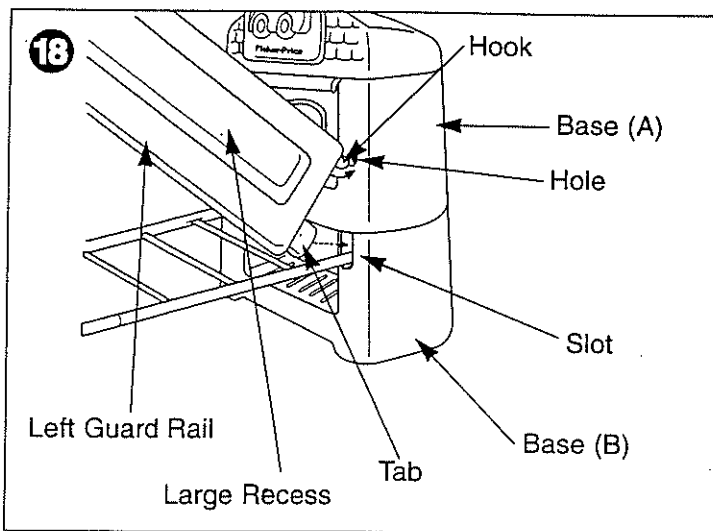
- Slide the backboard (label side forward) into the rear groove in the base (A).



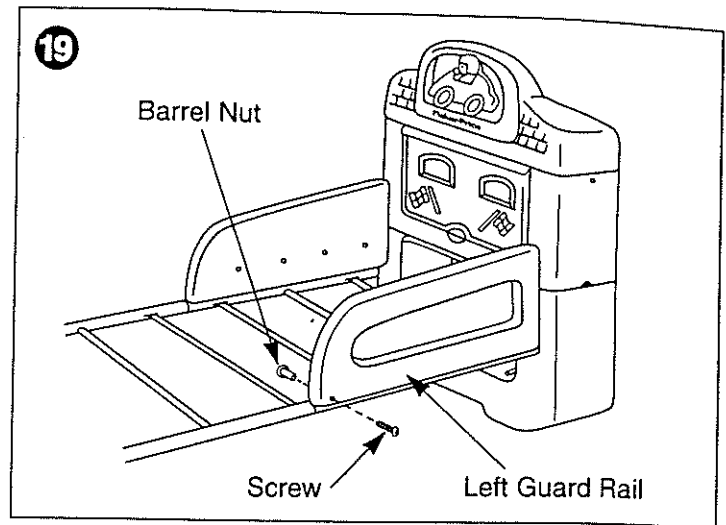
- Place the shelf door posts (with molded-in flags forward) into the channels in the base labeled A.



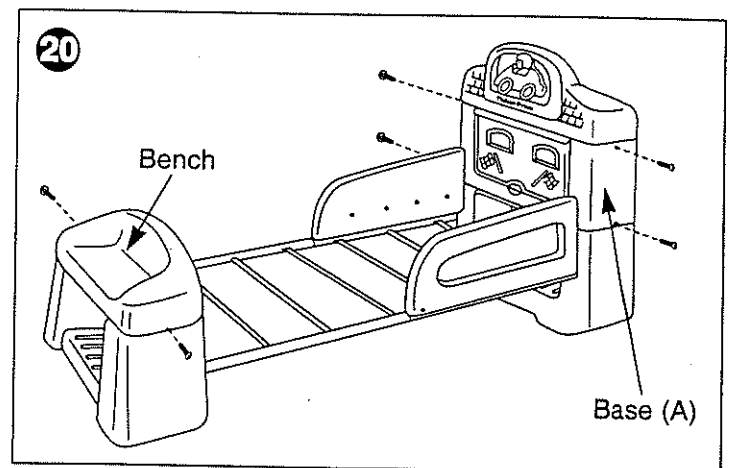
- Fit the shelf top pegs into the grooves in the base labeled A.
- Make sure the shelf top lip is behind the backboard.
- **The plugs are used only when converting My Little Garage Bed to the 2-tier or 3-tier bookshelf.** Insert a plug into each slot (above the metal frame) in the base labeled B for storage.



- Position the left guard rail (labeled L) so that the large recess is outward.
- Insert the left guard rail hook into the hole in the base labeled A.
- Lower the left guard rail to insert the tab into the slot in the base labeled B.



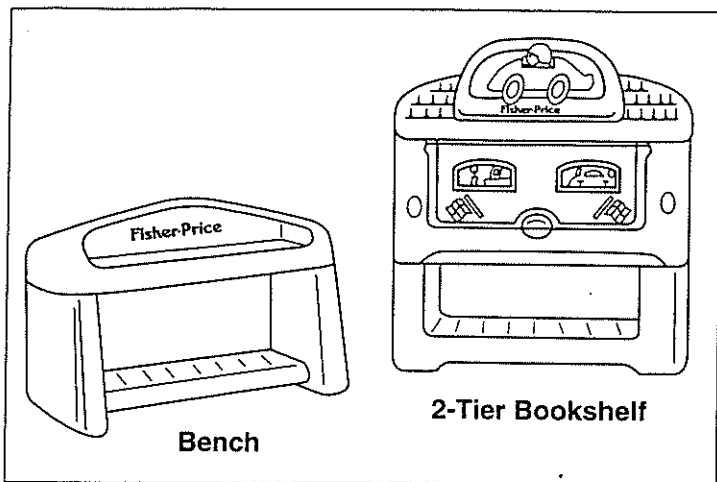
- Insert a barrel nut into the inside of the metal frame.
- Insert a 1/4" screw into the left guard rail and hand tighten the hardware.
- Tighten the screw with a Phillips screwdriver. Do not over-tighten.
- Repeat this procedure to attach the right guard rail (labeled R).



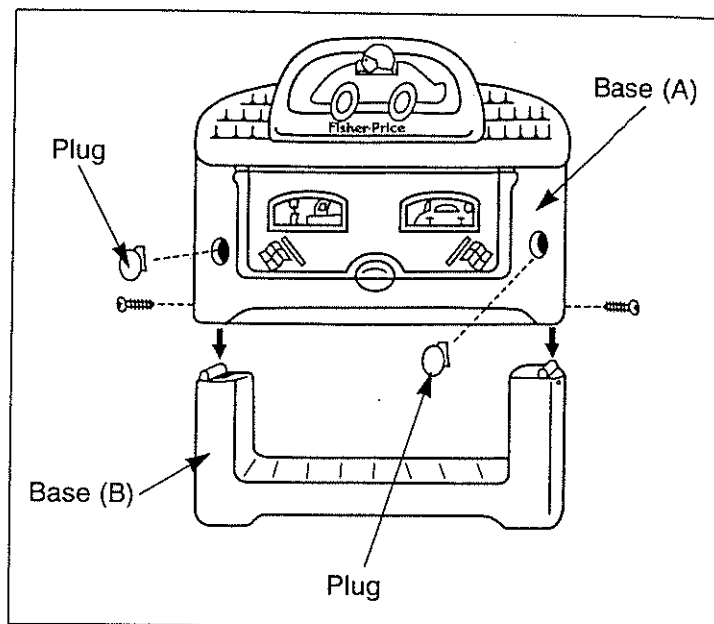
- Insert two 1/4" screws into the bench, two 1/4" screws into the top of the base labeled A and two 1/4" screws into the bottom of the base labeled A, as shown.
- Push down on the assembly while tightening the screws with a Phillips screwdriver. Do not over tighten.

Toddler bed assembly is now complete.

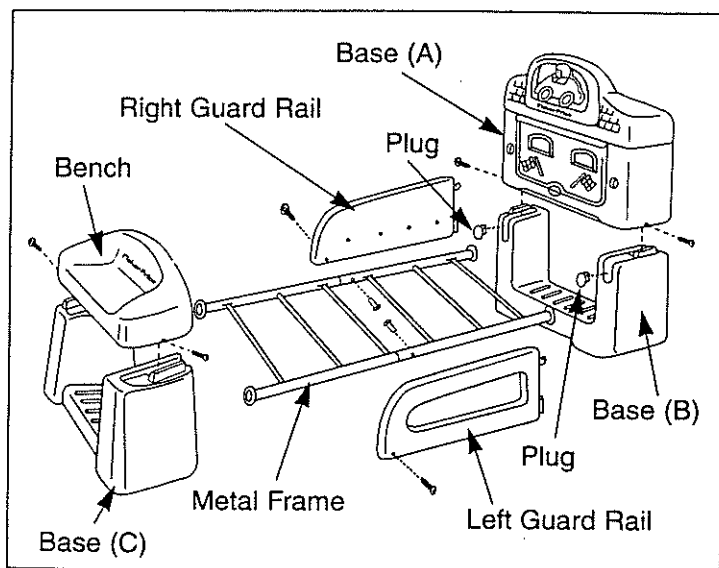
Converting Toddler Bed to 2-Tier Bookshelf and Bench



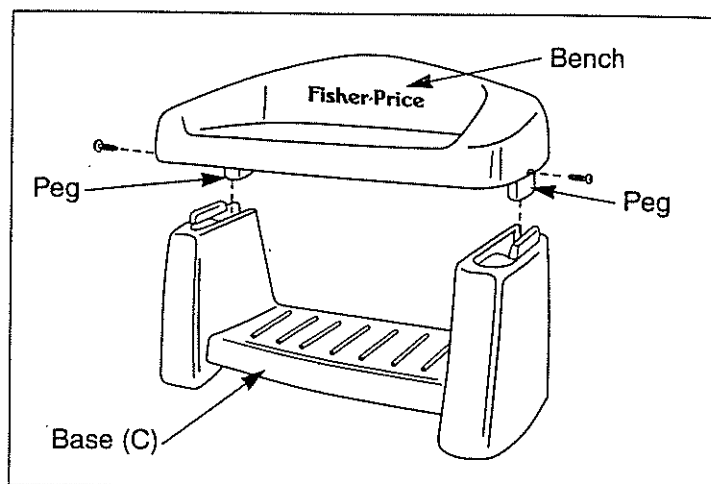
- My Little Garage Bed easily disassembles to convert to a 2-tier bookshelf and a bench.



- Place the base labeled B on a flat surface.
- Place the base labeled A onto the base labeled B.
- Insert two 1³/₄" screws into the base labeled A. Push down on the assembly while tightening the screws with a Phillips screwdriver. Do not over-tighten.
- Insert and snap the plugs into the two holes in the base labeled A.



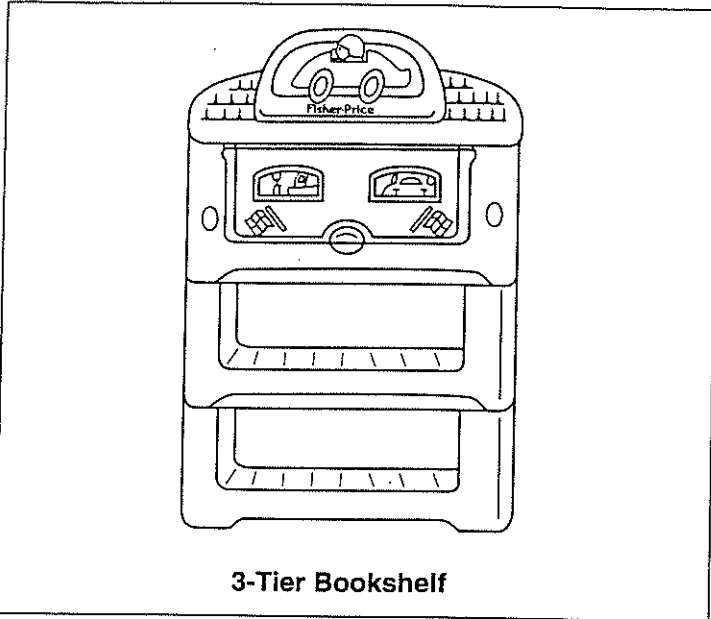
- Remove the screw and barrel nut in each guard rail.
- Remove the guard rails.
- To ensure the screws and barrel nuts do not get lost, replace them into the metal frame.
- Remove the two screws in the bench and two screws in the bottom of base labeled A.
- Remove the base labeled A and the bench.
- Remove the plugs from storage in the base labeled B.
- Lift the metal frame to remove.



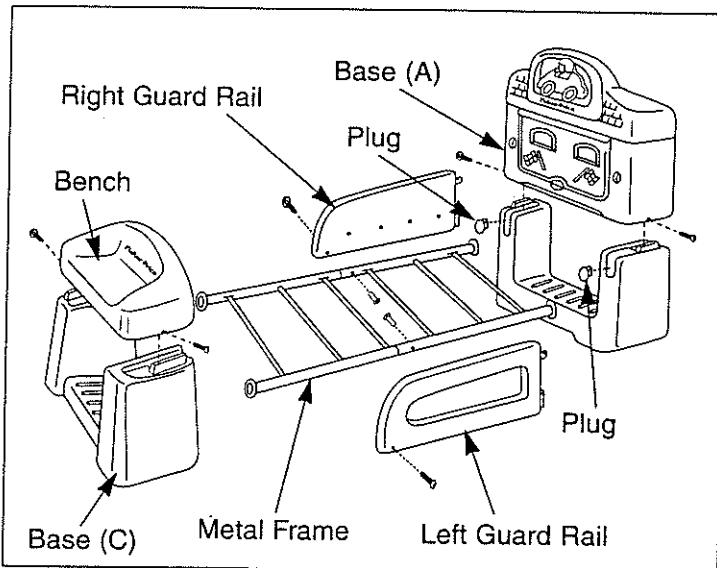
- Insert the pegs on the bench into the base labeled C.
- Insert two 1³/₄" screws into the bench. Push down on the bench while tightening the screws with a Phillips screwdriver. Do not over-tighten.

IMPORTANT NOTE: Do not attempt to disassemble the metal frame. Please store the metal frame with barrel nuts and screws, and the guard rails in a safe place for future use.

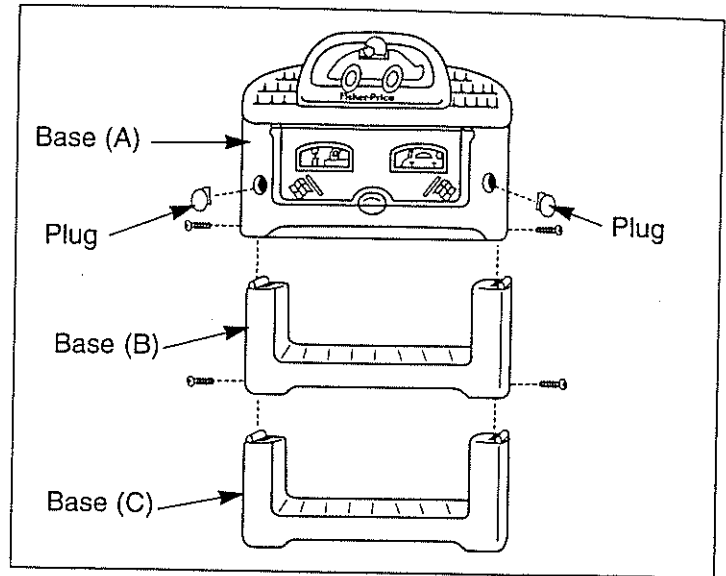
Converting Toddler Bed to 3-Tier Bookshelf



- My Little Garage Bed easily disassembles to convert to a 3-tier bookshelf.



- Remove the screw and barrel nut in each guard rail.
- Remove the guard rails.
- To ensure the screws and barrel nuts do not get lost, replace them into the metal frame.
- Remove the two screws in the bench and the two screws in the bottom of the base labeled A.
- Remove the base labeled A and the bench.
- Remove the plugs from storage in the base labeled B.
- Lift the metal frame to remove.



- Place the base labeled C on a flat surface.
- Fit the base labeled B onto the base labeled C.
- Place the base labeled A onto the base labeled B.
- Insert two 1 $\frac{3}{4}$ " screws into the base labeled B. Push down on the assembly while tightening the screws with a Phillips screwdriver. Do not over-tighten.
- Insert two 1 $\frac{3}{4}$ " screws into the base labeled A. Push down on the assembly while tightening the screws with a Phillips screwdriver. Do not over-tighten.
- Insert and snap the plugs into the two holes in the base labeled A.

IMPORTANT NOTE: Do not attempt to disassemble the metal frame. Please store the metal frame with barrel nuts and screws, the guard rails, and the bench in a safe place for future use.

Care

Use a mild cleaning solution and a damp cloth. Do not use bleach. Rinse with clean water to remove soap residue.

One (1) Year Limited Warranty

Fisher-Price, Inc., 636 Girard Avenue, East Aurora, New York 14052, warrants that My Little Garage Bed is free from all defects in material and workmanship when used under normal conditions for a period of one (1) year from the date of purchase.

Should the product fail to perform properly, we will repair or replace it at our option, free of charge. Purchaser is responsible for shipping the product to Fisher-Price Consumer Affairs at the address indicated above and for all associated freight and insurance cost. Fisher-Price, Inc. will bear the cost of shipping the repaired or replaced item to you. This warranty is void if the owner repairs or modifies the product. This warranty excludes any liability other than that expressly stated above including but not limited to any incidental or consequential damages.

SOME STATES DO NOT ALLOW THE EXCLUSION OR LIMITATION OF INCIDENTAL OR CONSEQUENTIAL DAMAGES, SO THE ABOVE LIMITATION OR EXCLUSION MAY NOT APPLY TO YOU.

THIS WARRANTY GIVES YOU SPECIFIC LEGAL RIGHTS, AND YOU MAY ALSO HAVE OTHER RIGHTS WHICH MAY VARY FROM STATE TO STATE.