

Fisher-Price®

Royal Potty™



Model Number: 79622

Please keep this instruction sheet, as it contains important information.
Requires three "AA" (LR6) **alkaline** batteries for operation (not included).

Adult assembly is required.

Tool needed for battery installation:
Phillips Screwdriver (not included).

Do not use this product on a padded toilet seat.

www.fisher-price.com

Consumer Information

Questions? We'd like to hear from you!

Call Fisher-Price® Consumer Relations, toll-free at **1-800-432-KIDS**, 8 AM- 6 PM EST Monday through Friday. Hearing-impaired consumers using TTY/TDD equipment, please call 1-800-382-7470.

Or, write to:

Fisher-Price®
Consumer Relations
636 Girard Avenue
East Aurora, New York 14052

For other countries, outside the United States:

Canada: call 1-800-567-7724, or write to: Mattel Canada Inc., 6155 Freemont Blvd., Mississauga, Ontario L5R 3W2.

Great Britain: telephone 01628 500303.

Australia: Mattel Australia Pty. Ltd., 658 Church Street, Locked Bag #870, Richmond, Victoria 3121 Australia.
Consumer Advisory Service 1300 135 312.

New Zealand: 16-18 William Pickering Drive, Albany 1331, Auckland.

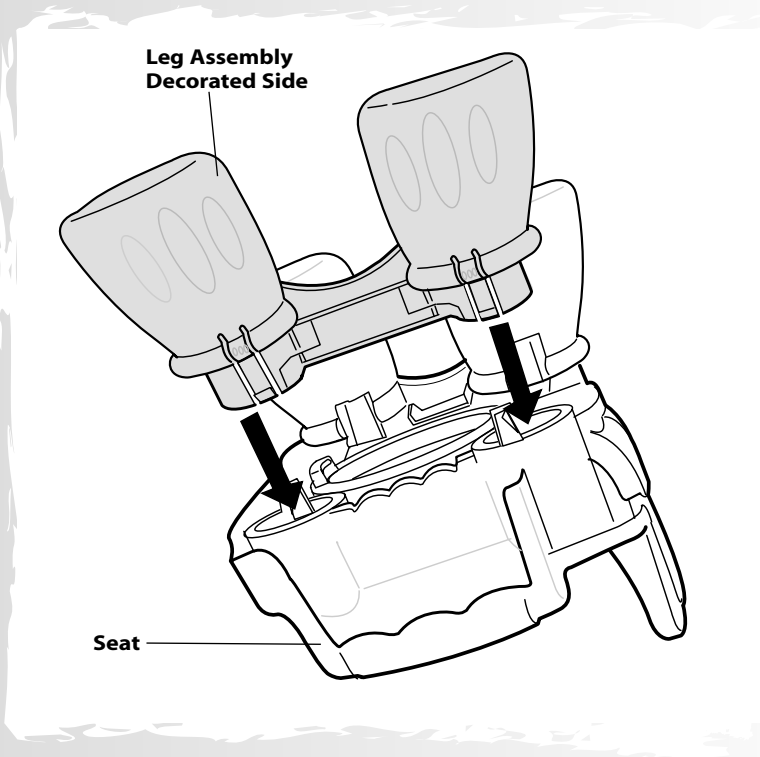
FCC Statement (United States Only)

This equipment has been tested and found to comply with the limits for a Class B digital device, pursuant to part 15 of the FCC rules. These limits are designed to provide reasonable protection against harmful interference in a residential installation. This equipment generates, uses and can radiate radio frequency energy and, if not installed and used in accordance with the instructions, may cause harmful interference to radio communications. However, there is no guarantee that interference will not occur in a particular installation. If this equipment does cause harmful interference to radio or television reception, which can be determined by turning the equipment off and on, the user is encouraged to try to correct the interference by one or more of the following measures:

- Reorient or relocate the receiving antenna.
- Increase the separation between the equipment and receiver.
- Connect the equipment into an outlet on a circuit different from that to which the receiver is connected.
- Consult the dealer or an experienced radio/TV technician for help.

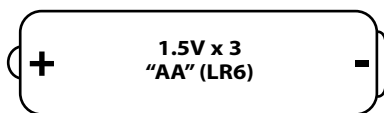
CAUTION: Changes or modifications not expressly approved by the manufacturer responsible for compliance could void the user's authority to operate the equipment.

Assembly

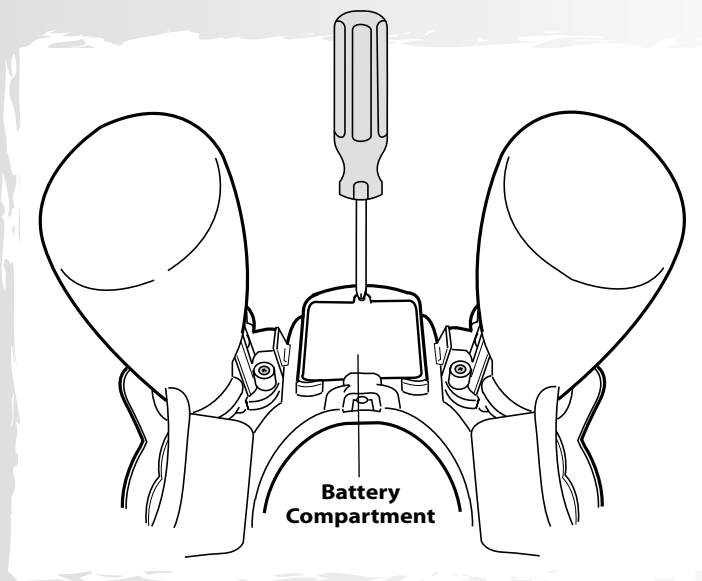


- Place the seat upside down on a flat surface, as shown.
- Position a leg assembly so that the decorated side faces you.
- Fit the leg assembly into the seat. Push down on the leg assembly until it **“clicks”** into place.
- Pull the leg assembly to be sure it is secured to the seat.
- Repeat this procedure to assemble the other leg assembly.

Battery Installation



SHOWN ACTUAL SIZE



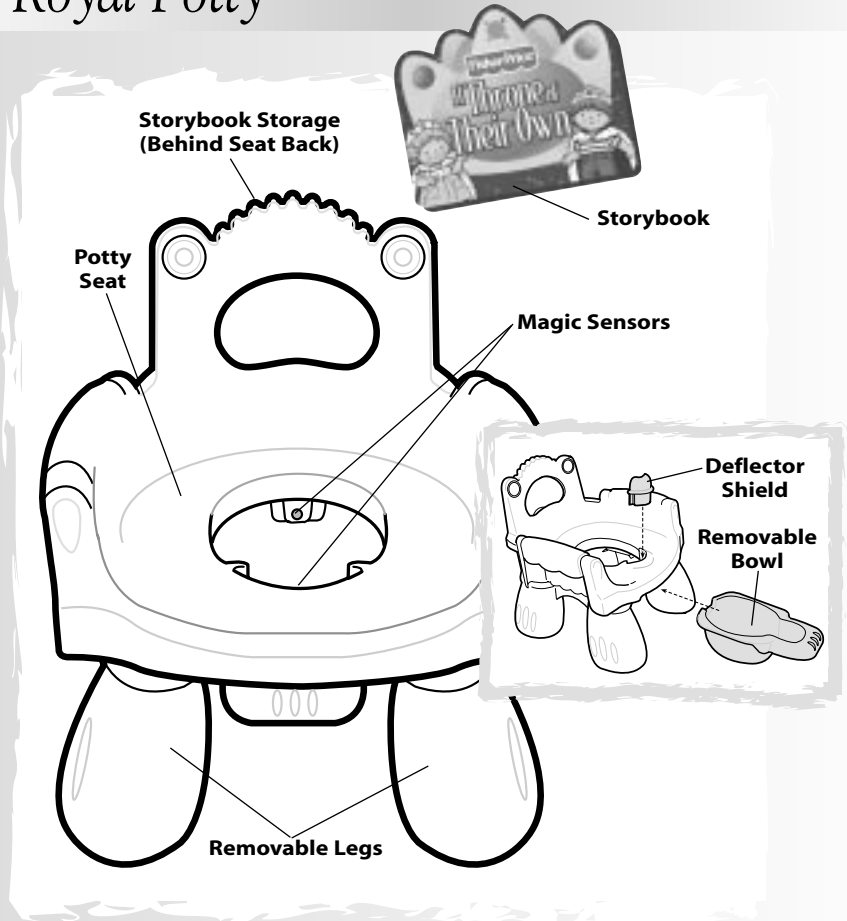
- Locate the battery compartment in the sound box on the underside of the seat.
- Loosen the screw in the battery compartment door with a Phillips screwdriver. Lift to remove the battery compartment door.
- Insert three "AA" (LR6) **alkaline** batteries as indicated inside the battery compartment.
- Replace the battery compartment door and tighten the screw with a Phillips screwdriver. Do not over-tighten.

Hint: We recommend using **alkaline** batteries for longer battery life.

Battery Tips

- Do not mix old and new batteries.
- Do not mix different types of batteries: alkaline, standard (carbon-zinc) or rechargeable (nickel-cadmium).
- Remove the batteries during long periods of non-use. Always remove exhausted batteries from the product. Battery leakage and corrosion can damage this product. Dispose of batteries safely.
- Do not dispose of batteries in a fire. The batteries may explode or leak.
- Never short circuit the battery terminals.
- Non-rechargeable batteries are not to be recharged.
- Only batteries of the same or equivalent type as recommended in the "Battery Installation" instructions are to be used.
- If removable rechargeable batteries are used, they are only to be charged under adult supervision.
- Rechargeable batteries are to be removed from the product before they are charged.
- If you use a battery charger, it should be examined regularly for damage to the cord, plug, enclosure and other parts. Do not use a damaged battery charger until it has been properly repaired.

Royal Potty™



Potty Seat – Use as a freestanding potty with the legs; or remove the legs and attach it to a standard toilet seat.

Removable Legs – Remove the legs for use on a standard toilet seat.

Removable Bowl – Slides out from under the seat for easy cleaning.

Magic Sensors – Senses that your child has gone potty and plays a royal fanfare!

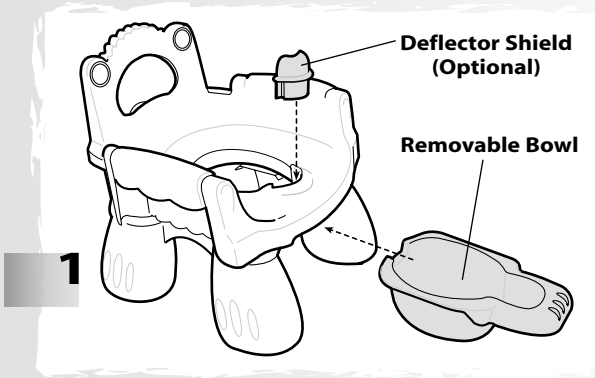
Deflector Shield – For use with boys.

Storybook – A perfect little story entitled, “A Throne of Their Own”, to encourage your child!

Hint: There is also a “ready” sensor inside the sound box (on the bottom of the seat). It senses that your child is sitting on the potty. Listen for the magical sound.

Freestanding Potty

Use as a freestanding potty to help your child get used to sitting on a standard toilet seat.



- Slide the bowl into the grooves underneath the seat.
- If desired, attach the deflector shield for use with boys. Fit both ridges on the deflector shield into the slots in the seat and push down completely.



- Have your child sit down on the seat. Listen for the magical sound. The Royal Potty™ is in ready mode.

Hint: The “ready sensor,” inside the sound box, recognizes motion to turn power on. If your child sits on the seat for more than five minutes and does not move, the Royal Potty™ goes into sleep mode and power turns off. If this should happen, simply tell your child to lean forward and then sit back (or simply move) to turn power back on (you’ll hear a magical sound!).

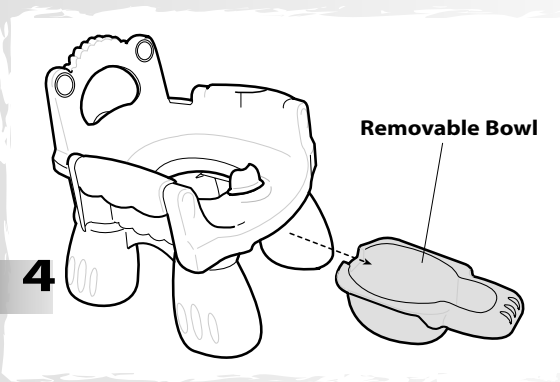
Freestanding Potty



- When your child goes potty, she'll hear a royal fanfare!

Hint: If your child does not hear a royal fanfare after going potty:

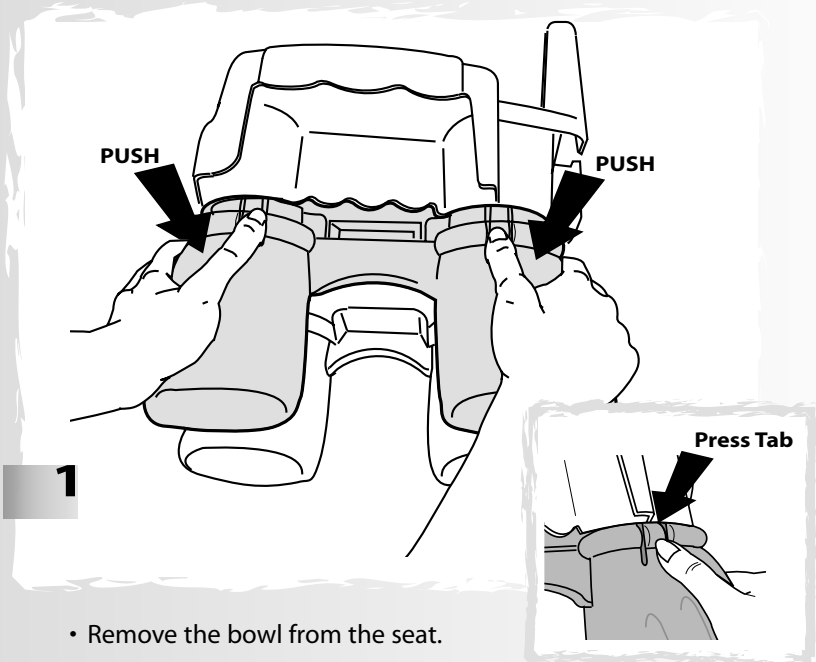
- The batteries may be weak or dead. Please remove them and replace with three, new **alkaline** batteries.
- The Royal Potty™ may have turned off. Be sure your child activates the "ready sensor" by moving every five minutes.
- The Magic Sensors detect contrast in lighting. If your child eliminates a very small amount of urine, the Magic Sensors may not recognize a change and your child will not hear a royal fanfare.



- Carefully remove the bowl using the handle and empty the contents into a toilet.
- Wash and rinse the bowl.
- Replace the bowl underneath the seat.

Training Seat

Attach the seat onto a standard toilet seat.



- Remove the bowl from the seat.

IMPORTANT! We do not recommend using the seat on a padded toilet seat. The seat will not fit securely on a padded toilet seat and may damage it.

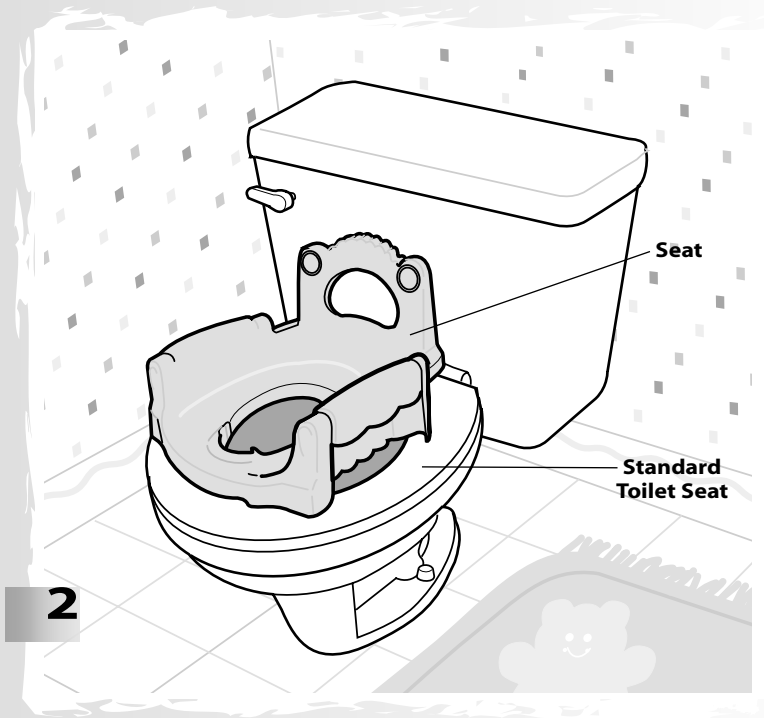
- While pressing both tabs on a leg assembly, push the leg assembly down until it unlatches from the seat.

Hint: This may require a lot of force.

- Repeat this procedure to remove the leg assembly from the other side of the potty seat.

Hint: Store the leg assemblies in a safe place for future use as a freestanding potty.

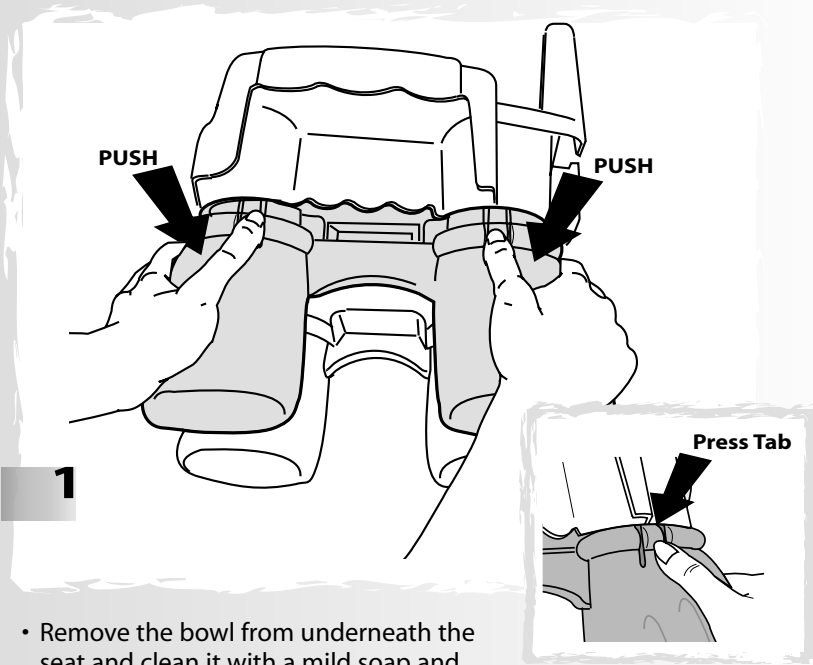
Training Seat



- Make sure the standard toilet seat is down. Fit the seat onto the toilet seat.
- Pull up on the seat to be sure the seat is secure.

Hint: If desired, attach the deflector shield for use by boys. Fit both ridges on the deflector shield into the slots in the potty seat and push down completely.

Care



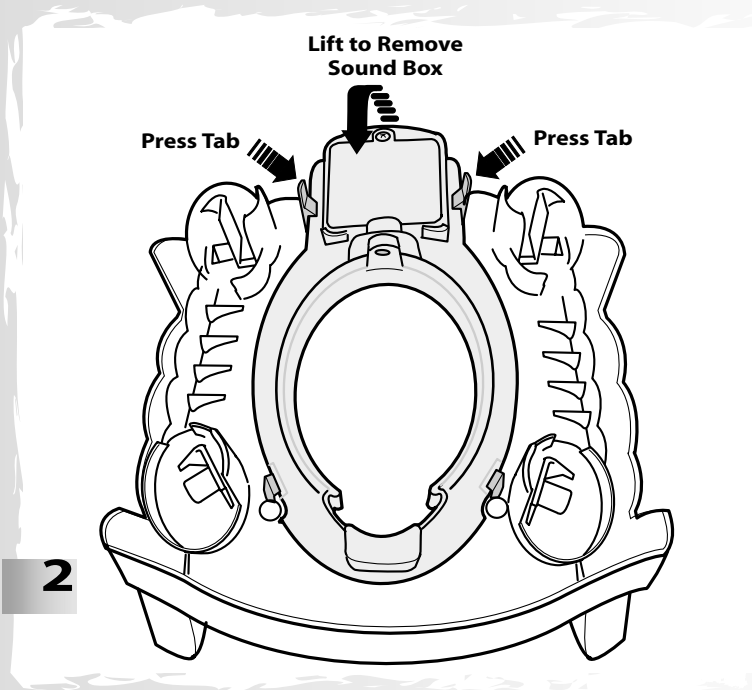
1

- Remove the bowl from underneath the seat and clean it with a mild soap and water solution. If desired, a solution of household disinfectant can also be used. Rinse with clean water to remove soap residue.
- While pressing both tabs on a leg assembly, push the leg assembly down until it unlatches from the seat.

Hint: *This may require a lot of force.*

- Repeat this procedure to remove the leg assembly from the other side of the seat.

Care



- To clean the entire potty seat, be sure to remove the sound box.
- IMPORTANT!** Do not immerse the sound box or legs while cleaning.
- Press the tabs on each side of the sound box and lift to remove it.
 - Clean the potty seat with a mild soap and water solution. If desired, a solution of household disinfectant can also be used. Rinse the parts with clean water to remove soap residue.

Fisher-Price, Inc., a subsidiary of Mattel, Inc., East Aurora, NY 14052 U.S.A.
©2001 Mattel, Inc. All Right Reserved. ® and ™ designate
U.S. trademarks of Mattel, Inc.