

**Fisher-Price®**

# Classical Chorus™ Starlight Bassinet™



**Model Number: 79668**

Please keep this instruction sheet for future reference, as it contains important information.

Requires four "C" (LR14) **alkaline** batteries (not included) for soother operation

Adult assembly is required.

Tool needed for assembly: Phillips screwdriver.

Use only for a child who is unable to push up on hands and knees,  
pull up or sit unassisted.

Discover what's possible™... [www.fisher-price.com](http://www.fisher-price.com)

# Warnings

## **WARNING**

### **Failure to follow these warnings and instructions could result in serious injury or death.**

To reduce the risk of Sudden Infant Death Syndrome (SIDS), normal healthy infants should always sleep on their backs unless otherwise advised by a pediatrician.

- **Infants can suffocate:**
  - In gaps between an extra pad and side of the bassinet.
  - On soft bedding.
- Never add a mattress, pillow, comforter or padding. Use **ONLY** the pad provided by the manufacturer.
- **To prevent falls:**
  - Do not use this product when infant begins to push up on hands and knees.
  - Never place product on an elevated surface.
  - When used as an infant seat, always use restraint.
- **To prevent strangulation:**
  - Never place items with strings, such as hood strings or pacifier cords, around a child's neck.
  - Never place product near a window where cords from blinds or drapes can strangle a child.
- Never leave child unattended.
- Attach the provided pad (with restraint system) to this product. Never use this product without pad provided.

# Consumer Information

Occasionally a consumer may experience a problem with one of our products. If this should happen, please call us toll-free, rather than return this product to the store. Usually, we can solve the problem over the telephone or send you replacement parts.

Please call Fisher-Price® Consumer Relations, toll-free at **1-800-432-5437**, 8 AM - 6 PM EST Monday through Friday. Hearing-impaired consumers using TTY/TDD equipment, please call 1-800-382-7470.

Or, write to:  
Fisher-Price® Consumer Relations  
636 Girard Avenue  
East Aurora, New York 14052

#### **For other countries, outside the United States:**

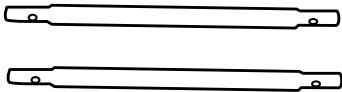
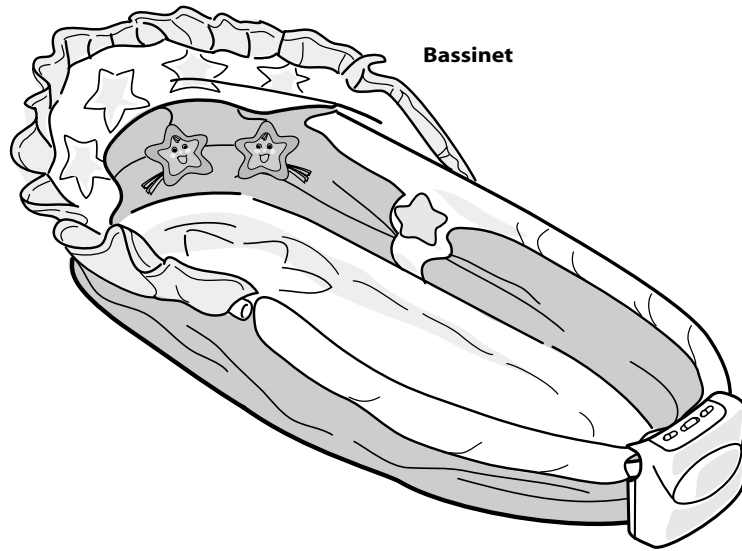
Canada: call 1-800-567-7724, or write to: Mattel Canada Inc., 6155 Freemont Blvd., Mississauga, Ontario L5R 3W2.

Great Britain: telephone 01628 500302.

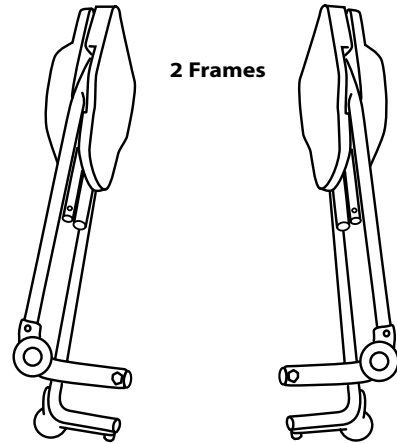
Australia: Mattel Australia Pty. Ltd., 658 Church Street, Locked Bag #870, Richmond, Victoria 3121 Australia.  
Consumer Advisory Service 1300 135 312.

New Zealand: 16-18 William Pickering Drive, Albany 1331, Auckland.

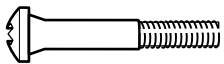
# Parts



**2 Base Tubes**



**2 Frames**



**M4 Shoulder Screw - 6**



**M4 Lock Nut - 6  
(Inside Frame Curved Tube)**

**All Shown Actual Size**

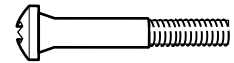
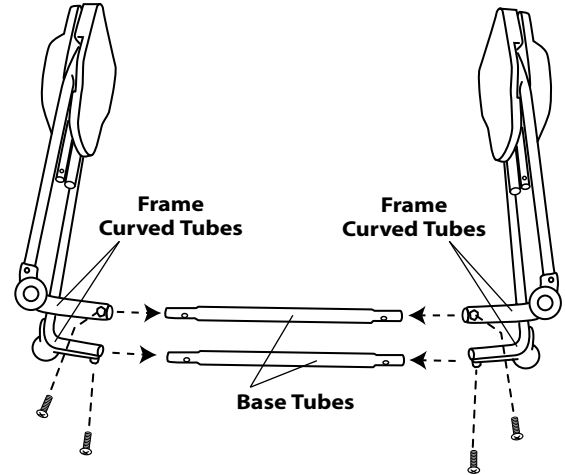
# Assembly

**IMPORTANT!** Before each use or assembly, inspect this product for damaged hardware, loose joints, missing parts or sharp edges. **DO NOT** use if any parts are missing or broken. Contact Fisher-Price® for replacement parts and instructions if needed. Never substitute parts.

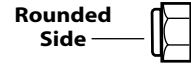


## CAUTION

This package contains small parts in its unassembled state. Adult assembly is required.



M4 Shoulder Screw - 4



M4 Lock Nut  
(Inside Frame Curved Tube) - 2

Shown Actual Size

1

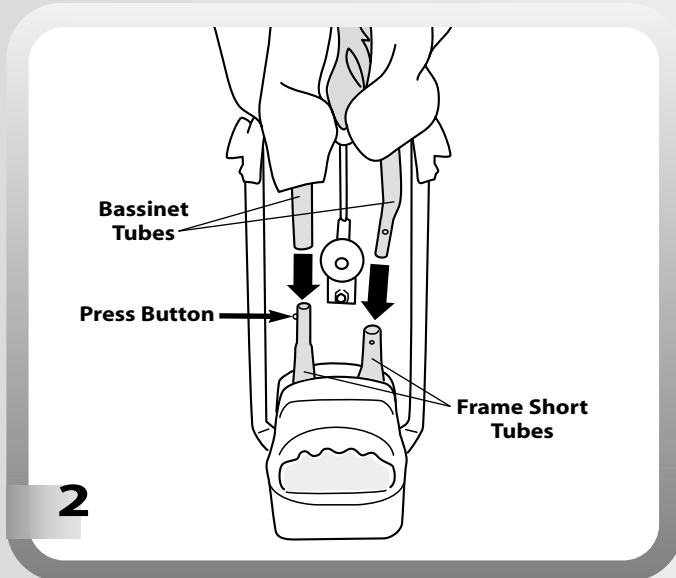
- Position the frames on a flat surface so that the curved tubes face each other.
- Fit a base tube into the ends of each frame's curved tube, as shown.
- Align the holes in the base tube and curved tubes. Insert an M4 screw through the hole in each end of the base tube, the curved tubes and into the lock nut inside each curved tube.

**Hint:** M4 lock nuts have been assembled to the curved tubes at the factory. During shipment of this product, they may have fallen out. Check to be sure there is a lock nut in each hexagonal opening in the curved tubes. If one (or more) has fallen out, fit the lock nut into the hexagonal opening in the curved tube. Make sure the rounded side of the lock nut is facing out.

- Tighten the screws with a Phillips screwdriver. Do not over-tighten.
- Repeat this procedure to assemble the other base tube into each frame's curved tube.

4

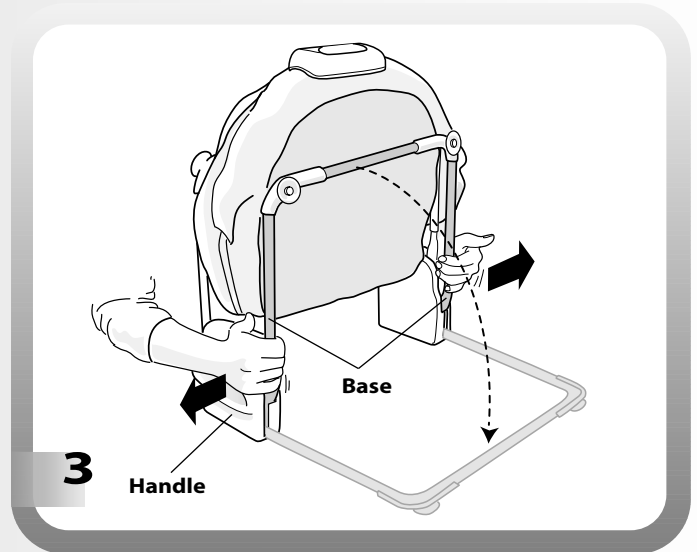
# Assembly



- Position the frame assembly upright on a flat surface, as shown.
- Fit the folded bassinet between the legs of the frame assembly.
- While pressing the button on the frame short tube, fit the bassinet tube over the frame short tube. Push the bassinet tube down until the button on the frame short tube “snaps” into place.
- Fit the other bassinet tube into the other frame short tube.

**Hint:** The tubes have been designed to fit together only one way! If you cannot fit the bassinet tubes to the frame short tubes, you will need to turn the folded bassinet around and try again.

- Now, fit and secure the other bassinet tubes to the frame short tubes on the other side of the product.

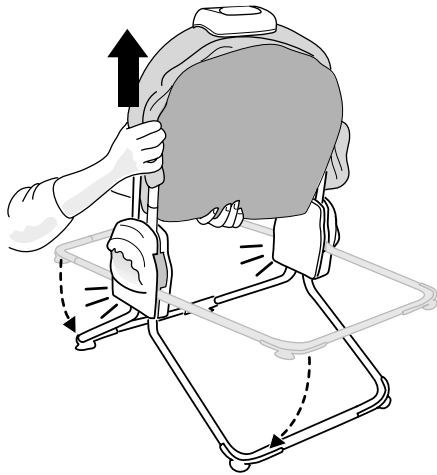


- Place palms on handles and grasp both sides of the base. Pull the sides of the base out while pressing palms against the handles. Let the base rotate down.

**Hint:** If the base does not freely rotate down, pull the sides of the base further outward while pressing palms against the handles.

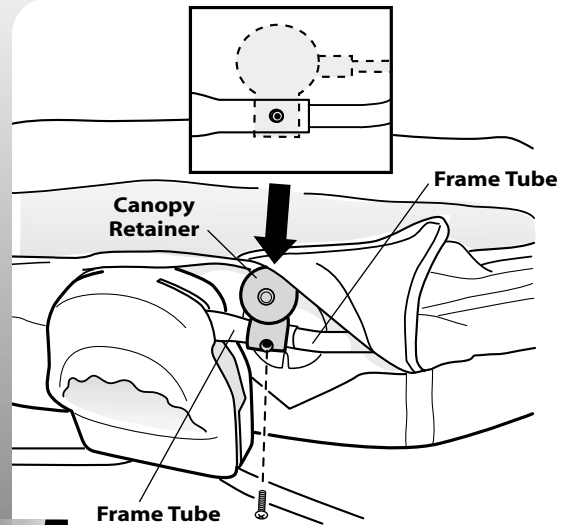
- Repeat this procedure to lower the other base.

# Assembly



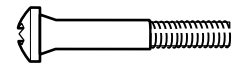
4

- Lift the assembly so that each side of the base “snaps” into place.
- Open the ends of the bassinet.



5

- With one side of the assembly facing you, fold back the fabric and locate a canopy retainer.
- Fit the canopy retainer over the frame tubes.
- Align the hole in the canopy retainer and frame tubes and insert an M4 screw through the front of the canopy retainer, frame tubes and into the lock nut inside the canopy retainer.



**M4 Shoulder Screw - 2**



**M4 Lock Nut  
(Inside Canopy Retainer)**

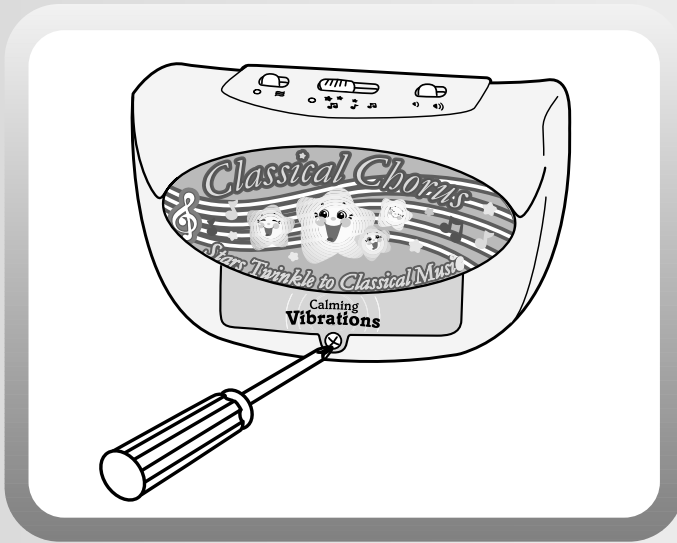
**Shown Actual Size**

**Hint:** An M4 lock nut has been assembled to each canopy retainer at the factory. During shipment of this product, they may have fallen out. Check to be sure there is a lock nut in each hexagonal opening in the canopy retainers. If one (or both) has fallen out, fit the lock nut into the hexagonal opening in the canopy retainers. Make sure the rounded side of the lock nut is facing out.

- Tighten the bolt with a Phillips screwdriver. Do not over-tighten.
- Repeat this procedure to secure the other canopy retainer to the other side of the frame, using the remaining M5 bolt.

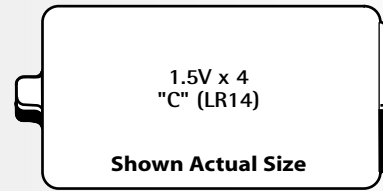
**Assembly is now complete.**

# Battery Installation



- Loosen the screw in the soother battery compartment door.
- Remove the battery compartment door.
- Insert four "C" **alkaline** (LR14) batteries as indicated inside the battery compartment.
- Replace the battery compartment door and tighten the screw with a Phillips screwdriver. Do not over-tighten.

# Battery Tips



- Remove the batteries during long periods of non-use. Always remove exhausted batteries from the product. Battery leakage and corrosion can damage this product. Dispose of the batteries safely.
- Do not dispose of batteries in a fire. The batteries may explode or leak.
- Never short circuit the battery terminals.
- Non-rechargeable batteries are not to be recharged.
- Only batteries of the same or equivalent type as recommended in the Battery Installation instructions are to be used.
- If removable rechargeable batteries are used, they are only to be charged under adult supervision.
- Rechargeable batteries are to be removed from the toy before they are charged.
- If you use a battery charger, it should be examined regularly for damage to the cord, plug, enclosure and other parts. Do not use a damaged battery charger until it has been properly repaired.
- We recommend the use of **alkaline** batteries for longer battery life.

# Set-Up & Use

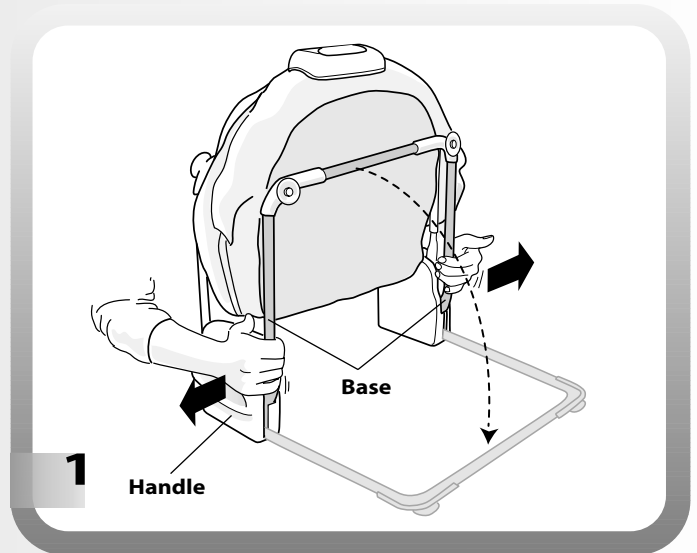
**IMPORTANT!** Before each use, inspect this product for damaged hardware, loose joints, missing parts or sharp edges. Do not use if any parts are missing or broken. Contact Fisher-Price® for replacement parts and instructions if needed. Never substitute parts.

## **WARNING**

**Failure to follow these warnings and instructions could result in serious injury or death.**

- **To prevent falls:**
  - Never place product on an elevated surface.
- **To prevent strangulation:**
  - Never place items with a string, such as hood strings or pacifier cords, around child's neck.
  - Never place product near a window where cords from blinds or drapes can strangle a child.

## To Open



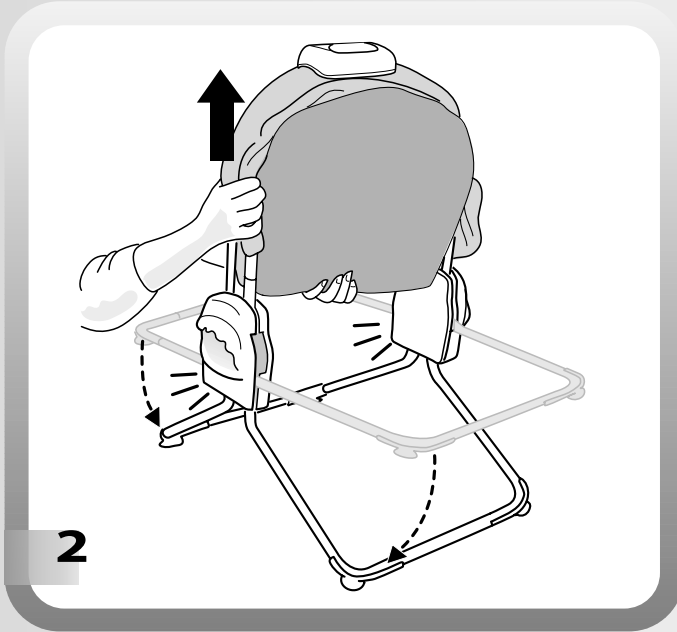
- Place palms on handles and grasp both sides of the base. Pull the sides of the base out while pressing palms against the handles. Let the base rotate down.

**Hint:** If the base does not freely rotate down, pull the sides of the base further outward while pressing palms against the handles.

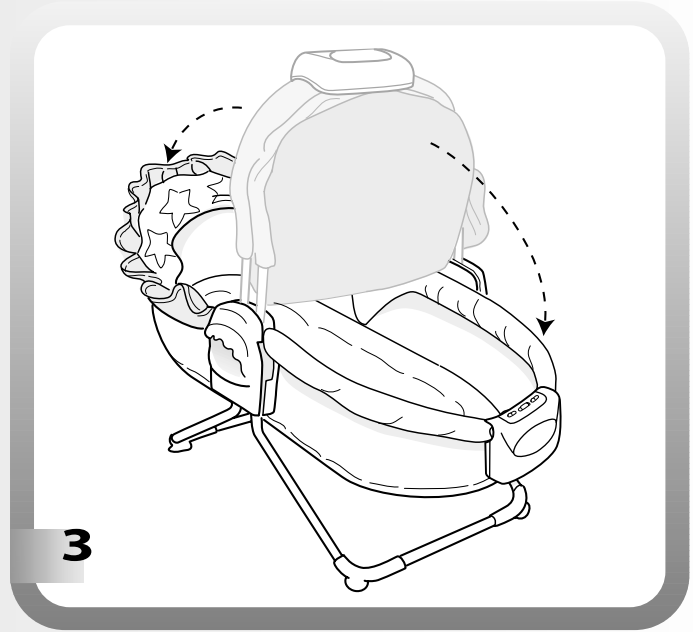
- Repeat this procedure to lower the other base.



# Set-Up & Use



- Lift the bassinet so that each side of the base **“snaps”** into place.



- Lower the ends of the bassinet.
- Push down on each end of the bassinet to be sure the frame is secure.

# Set-Up & Use

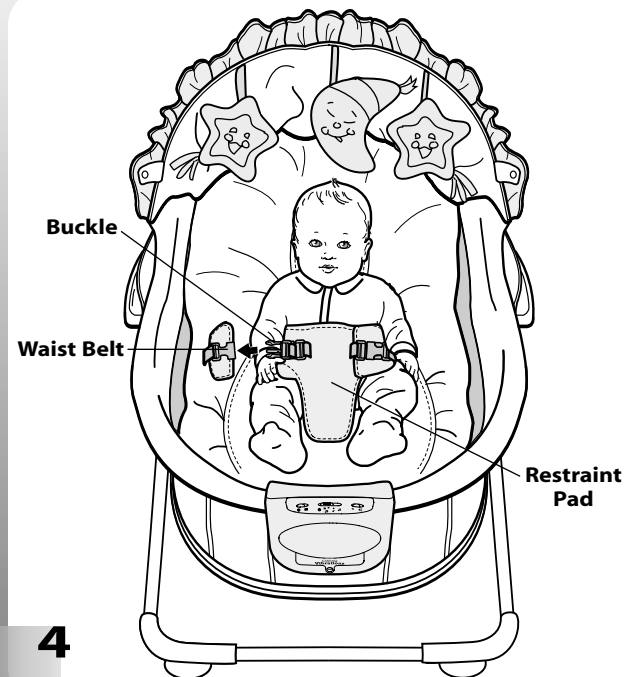
## Restraint System

### **WARNING**

**Failure to follow these warnings and instructions could result in serious injury or death.**

To reduce the risk of Sudden Infant Death Syndrome (SIDS), normal healthy infants should always sleep on their backs unless otherwise advised by a pediatrician.

- **Infants can suffocate:**
  - In gaps between an extra pad and side of the bassinet.
  - On soft bedding.
- Never add a mattress, pillow, comforter or padding. Use **ONLY** the pad provided by the manufacturer.
- **To prevent falls:**
  - Do not use this product when infant begins to push up on hands and knees.
  - When used as an infant seat, always use restraint.
- Never leave child unattended.



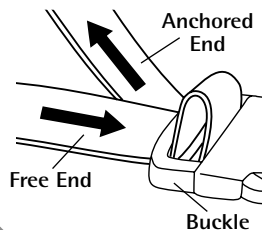
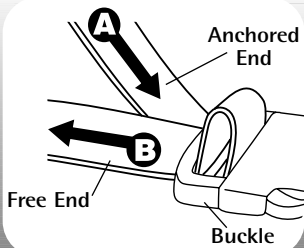
- Place your baby in the bassinet.
- Position the restraint pad between your baby's legs.
- Fasten both waist belts to the buckles on each side of the restraint pad. **Make sure you hear a "click" on both sides.**
- Check to be sure the restraint is securely attached by pulling it away from your baby. The restraint should remain attached.

### **When Putting Baby to Sleep\***

- **NEVER** place any covering higher than an infant's shoulders.
- **NEVER** place infants to sleep on pillows, sofa cushions, adult beds, waterbeds, beanbags, or any other surface not specifically designed for infant sleep.
- Do not overdress your baby. If you feel comfortable, your baby will too.

\*This important safety message is brought to you by the Juvenile Products Manufacturers Association.

# Set-Up & Use



## To tighten the waist belts:

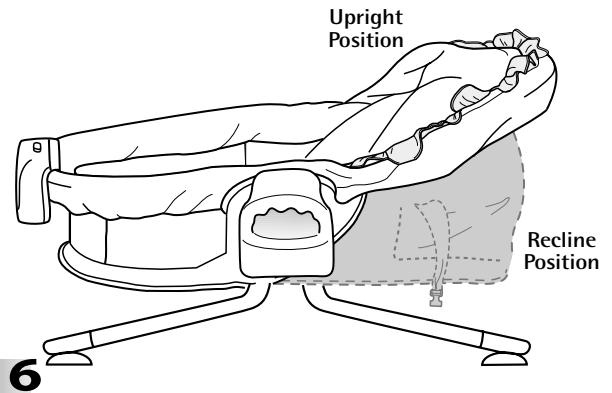
- Feed the anchored end of the waist belt up through the buckle to form a loop **A**.
- Pull the free end of the waist belt **B**.
- Repeat this procedure to tighten the other waist belt.

## To loosen the waist belts:

- Feed the free end of the waist belt up through the buckle to form a loop **A**.
- Enlarge the loop by pulling on the end of the loop toward the buckle.
- Pull the anchored end of the waist belt to shorten the free end of the waist belt **B**.
- Repeat this procedure to loosen the other waist belt.

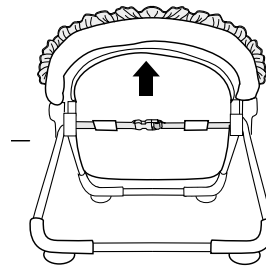
**Note:** After adjusting the waist belts to fit your child, make sure you pull on them to be sure they are securely fastened.

## Seat Back Adjustment

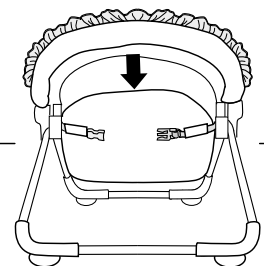


- You can adjust the seat back to an **upright** or **recline** position for baby's comfort.

## UPRIGHT



## RECLINE



## Back View

## To adjust the seat back to upright:

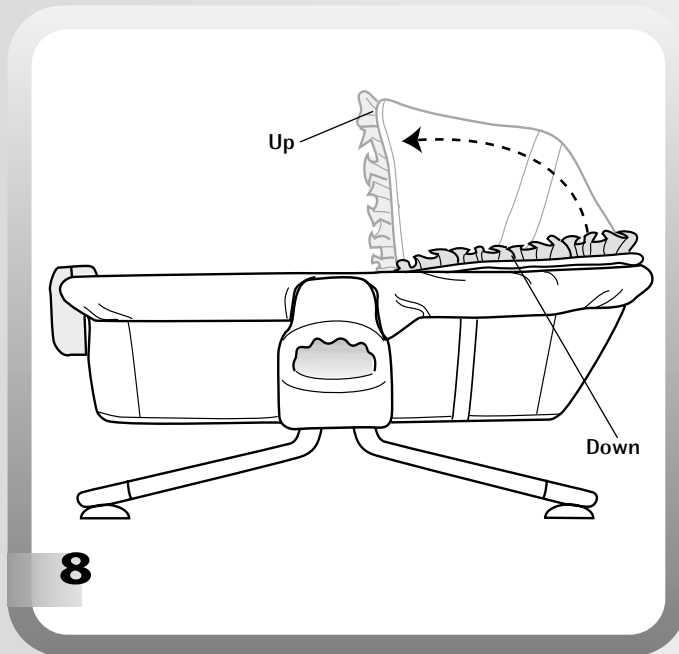
- Lift the seat back and then fasten the buckle. **Make sure you hear a "click"**.

## To adjust the seat back to recline:

- Support the seat back with your hand, unfasten the buckle and guide the seat back down into position.

# Set-Up & Use

## Canopy Adjustment



- The canopy can be adjusted up or down.
- Fasten the flap on each side of the canopy for the up position.

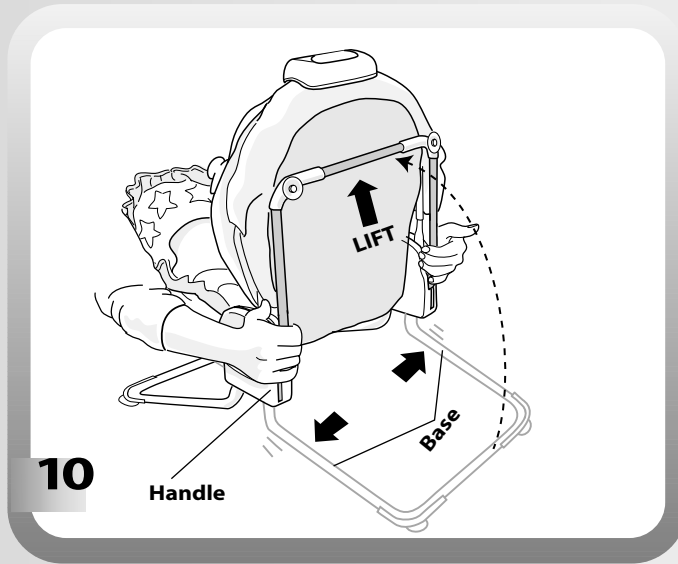
## Portability



- Grasp the handles on each side of the bassinet to carry.

# Set-Up & Use

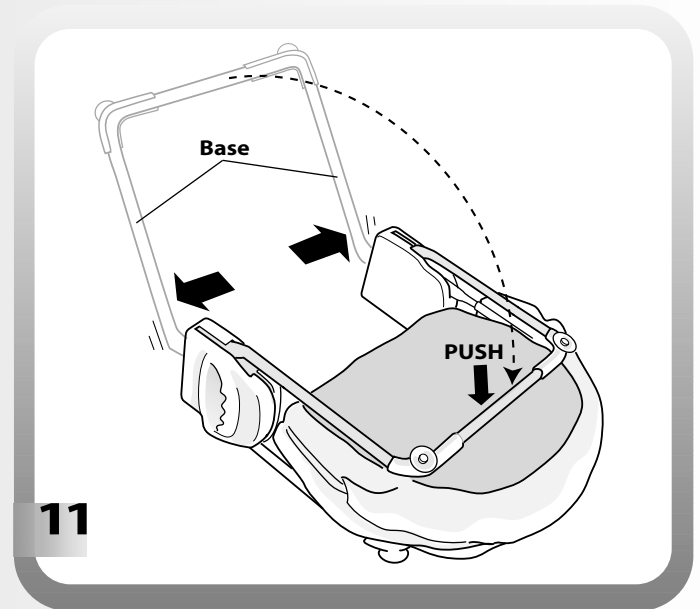
## To Fold



- Place palms on handles and grasp both sides of the base.
- Lift the bassinet and pull the sides of the base out while pressing palms against the handles.

**Hint:** If the base does not freely lift, pull both sides of the base further apart while pressing palms against the handles.

- Lift the end of the base so that it is secured upright.

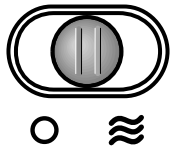


- Place palms on handles and grasp both sides of the base.
- Pull the sides of the base out while pressing palms against the handles.

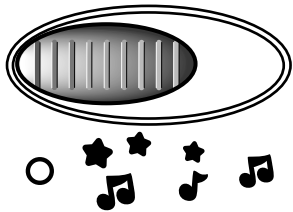
**Hint:** If the base does not freely lift, pull both sides of the base further apart while pressing palms against the handles.

- Push the base so that it is closed securely.

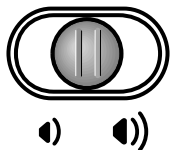
# Music, Lights and Calming Vibrations



Vibrations Switch





Lights & Music Switch



Volume Switch





## Calming Vibrations

- Slide the vibration switch to  to turn vibrations on; or  to turn vibrations off.

## Music and Lights

- Slide the mode switch to  for daytime lights and music.
- Slide the mode switch to  for nighttime lights and music.
- Slide the mode switch to  for music only.
- Slide the mode switch to  to turn lights and music off.

## Volume

- Slide the volume switch to  for low volume;  for high volume.

## Care

The pad is machine washable. Wash the pad separately in cold water on the gentle cycle. Do not use bleach. Tumble dry separately on low heat and remove promptly. The fabric, frame and toys may be wiped clean using a mild cleaning solution and a damp cloth.

**Note:** Do not dispose of the musical toy in a fire. The battery(ies) inside the toy may explode or leak.

## FCC Note (United States Only)

Note: This equipment has been tested and found to comply with the limits for a Class B digital device, pursuant to Part 15 of the FCC Rules. These limits are designed to provide reasonable protection against harmful interference in a residential installation. This equipment generates, uses and can radiate radio frequency energy and, if not installed and used in accordance with the instructions, may cause harmful interference to radio communications. However, there is no guarantee that interference will not occur in a particular installation. If this equipment does cause harmful interference to radio or television reception, which can be determined by turning the equipment off and on, the user is encouraged to try to correct the interference by one or more of the following measures:

- Reorient or relocate the receiving antenna.
- Increase the separation between the equipment and receiver.
- Consult the dealer or an experienced radio/TV technician for help.

Note: Changes or modifications not expressly approved by the manufacturer responsible for compliance could void the user's authority to operate the equipment.

Fisher-Price, Inc., a subsidiary of Mattel, Inc., East Aurora, NY 14052 U.S.A.  
©2002 Mattel, Inc. All Rights Reserved. ® and ™ designate U.S. trademarks of Mattel, Inc.

**Printed in China**

**79668pr-0920**