

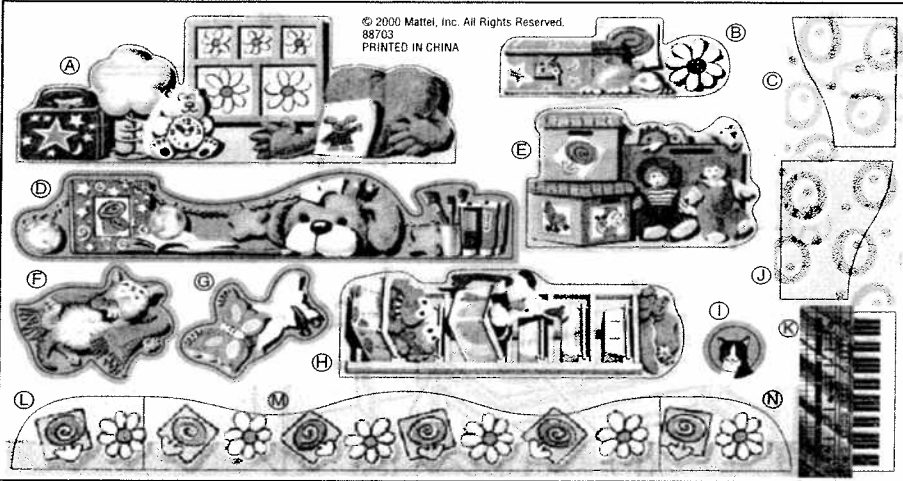
# Barbie®

**PLEASE KEEP THESE INSTRUCTIONS FOR FUTURE REFERENCE AS THEY CONTAIN IMPORTANT INFORMATION.**

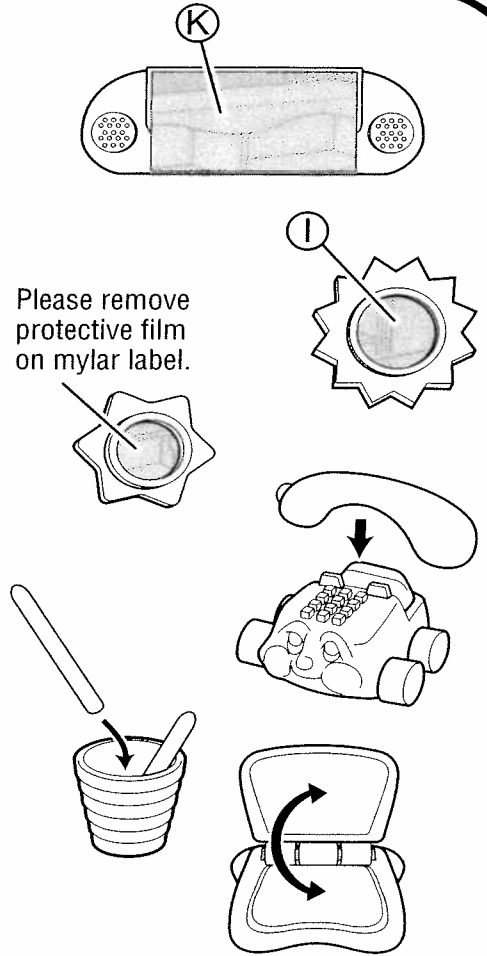
**2 YEAR LIMITED WARRANTY**

Mattel, Inc. warrants to the original consumer purchaser that this product will be free of defects in material or workmanship for 2 years (unless specified in alternate warranties) from the date of purchase. If defective, return the product along with the proof of the date of purchase, postage prepaid, to Consumer Relations, 636 Girard Avenue, East Aurora, New York 14052 for replacement or refund at our option. This warranty does not cover damage resulting from unauthorized modification, accident, misuse or abuse. In no event shall we be responsible for incidental, consequential, or contingent damages (except in those states that do not allow this exclusion or limitation) **VALID ONLY IN U.S.A.** This warranty gives you specific legal rights and you may also have other rights which vary from state to state. Some states do not allow the exclusion of incidental or consequential damages, so the above exclusions or limitations may not apply to you.

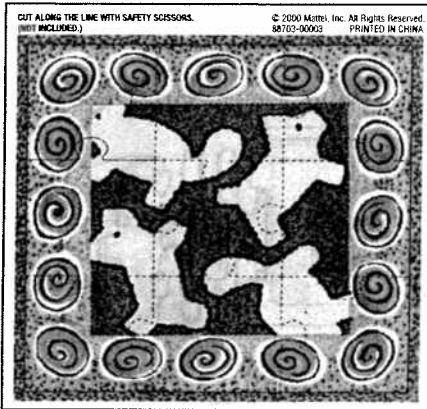
**ADULT ASSEMBLY REQUIRED.**



© 2000 Mattel, Inc. All Rights Reserved.  
88703  
PRINTED IN CHINA



Please remove protective film on mylar label.



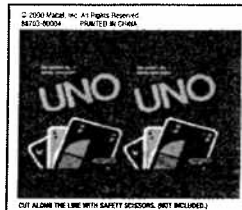
CUT ALONG THE LINE WITH SAFETY SCISSORS. (NOT INCLUDED.)

© 2000 Mattel, Inc. All Rights Reserved.  
88703-00003  
PRINTED IN CHINA



© 2000 Mattel, Inc. All Rights Reserved.  
88703-00002  
PRINTED IN CHINA

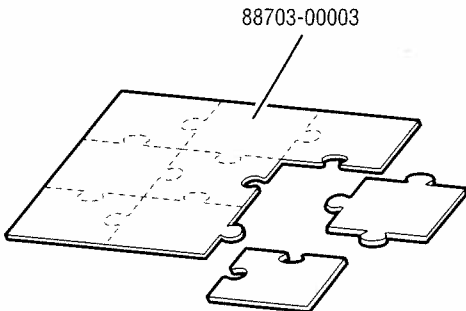
CUT ALONG THE LINE WITH SAFETY SCISSORS. (NOT INCLUDED.)



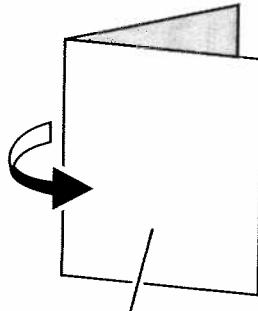
© 2000 Mattel, Inc. All Rights Reserved.  
88703-00004  
PRINTED IN CHINA

CUT ALONG THE LINE WITH SAFETY SCISSORS. (NOT INCLUDED.)

**CUT ALONG THE LINE WITH SAFETY SCISSORS. (NOT INCLUDED.)**



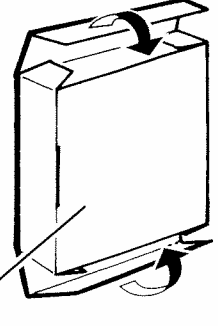
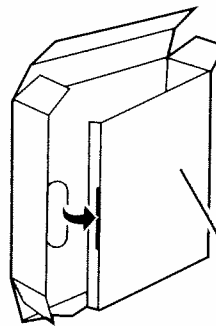
88703-00003



88703-00005

**STEP 1**

**STEP 2**



88703-00004

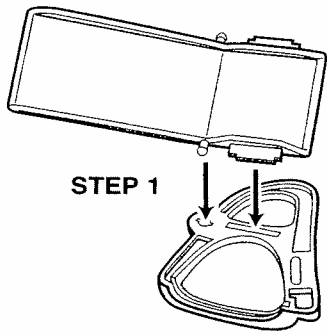


©2000 Mattel, Inc., El Segundo, CA 90245 U.S.A. All Rights Reserved.

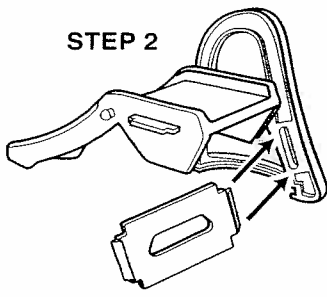
Retain this address for future reference:  
Mattel U.K., Ltd., Vanwall Business Park, Maidenhead SL6 4UB.  
Helpline 01628500303

**WARNING:**  
CHOKING HAZARD - Small parts.  
Not for children under 3 years.

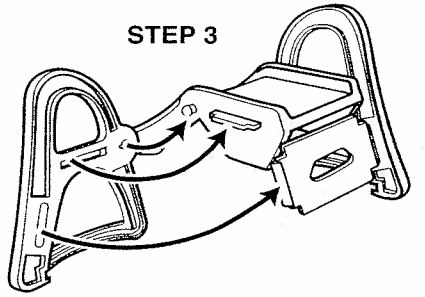
88703-30002  
RC-1



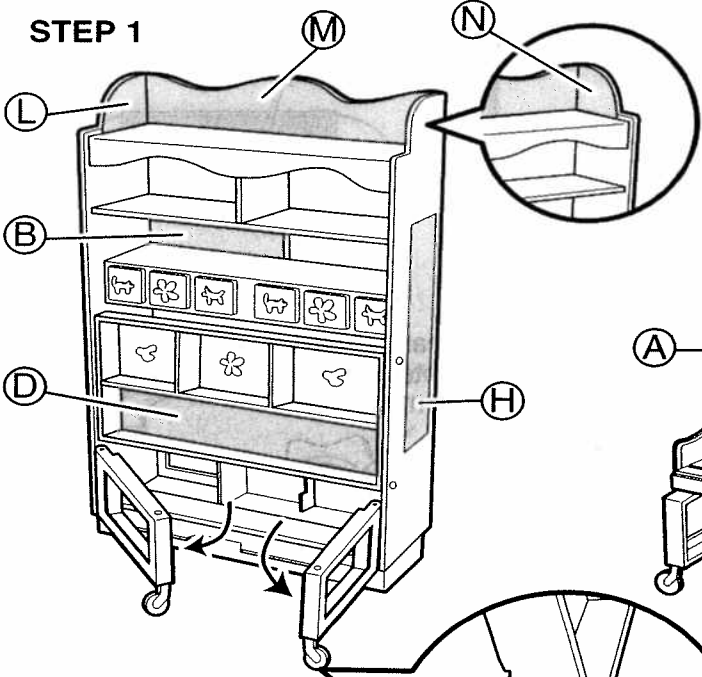
STEP 2



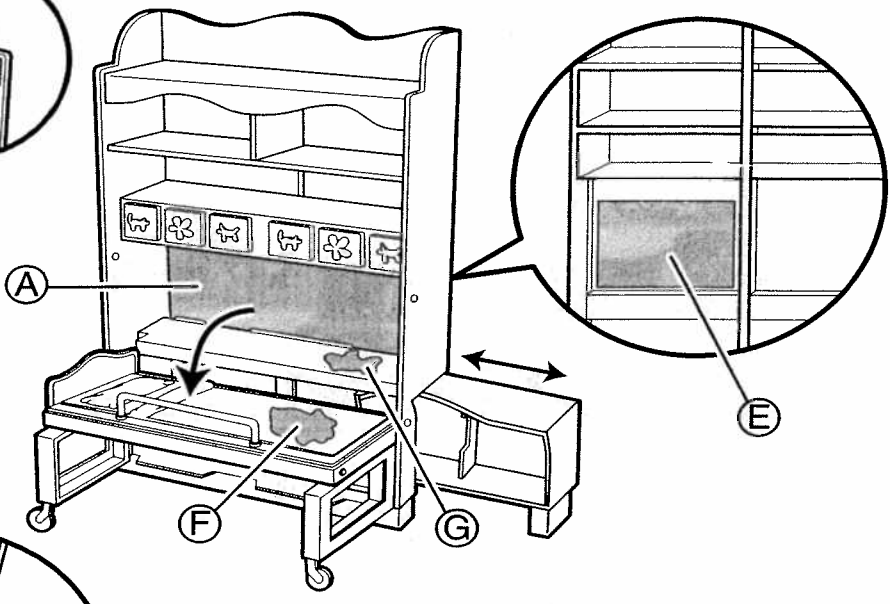
STEP 3



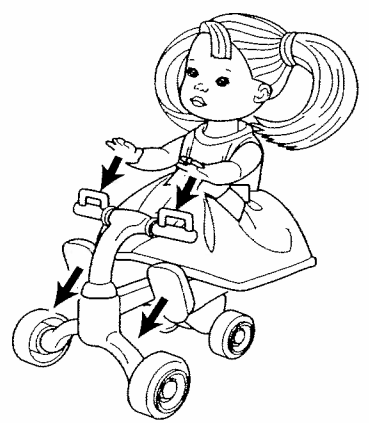
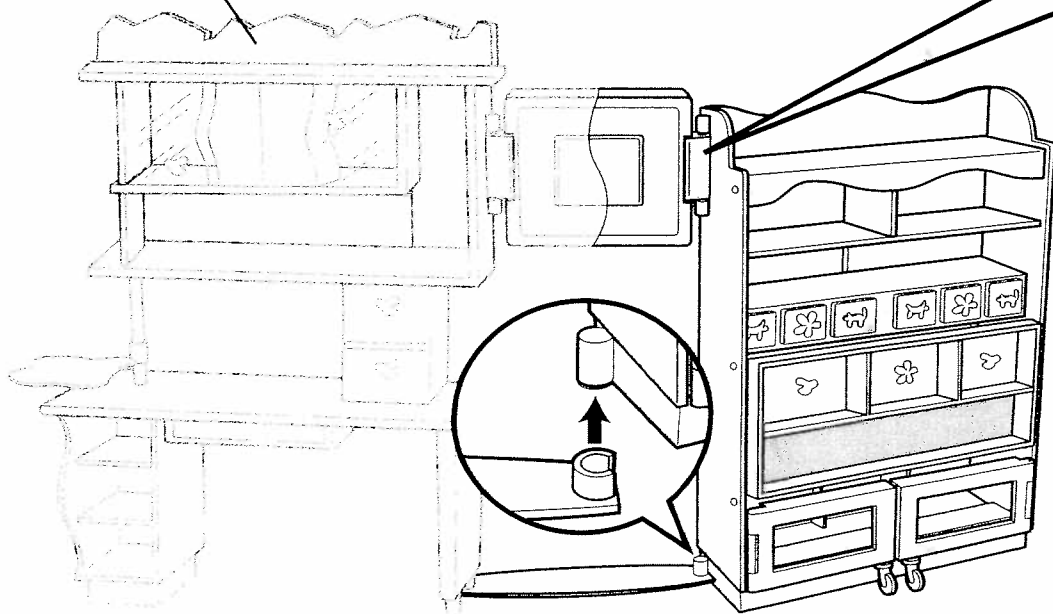
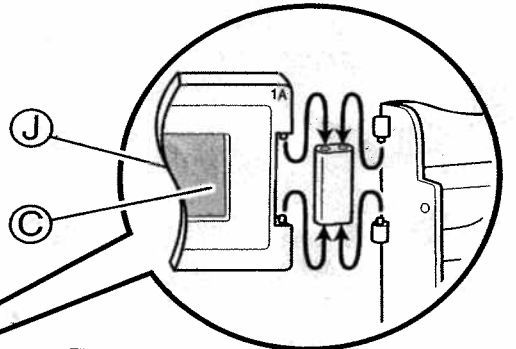
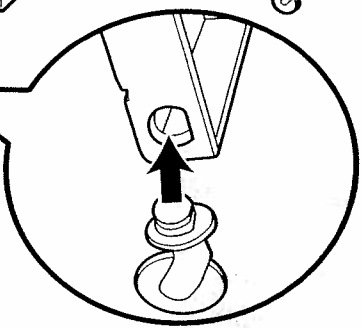
STEP 1



STEP 2



Attaches to other  
Barbie® furniture  
playsets.  
(Sold separately.)



Doll Not Included.