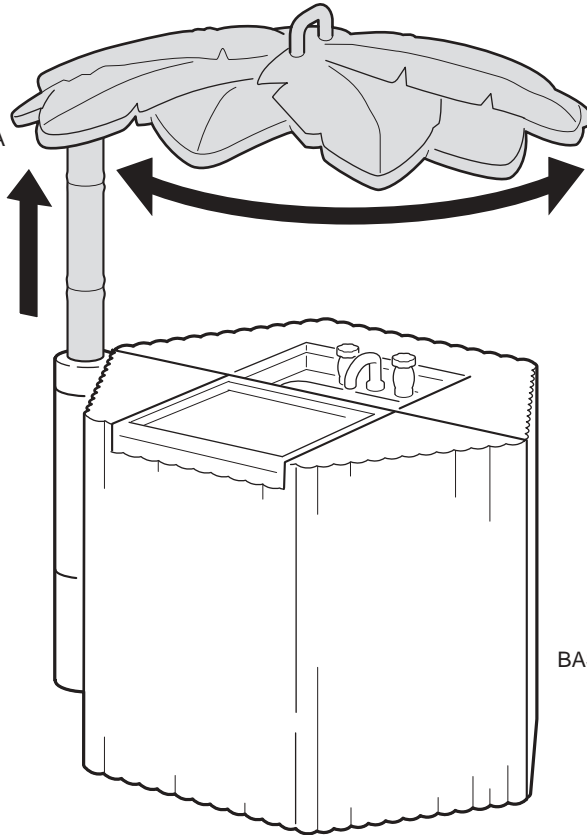


Play Time!

1.

Lift umbrella from base.

UMBRELLA

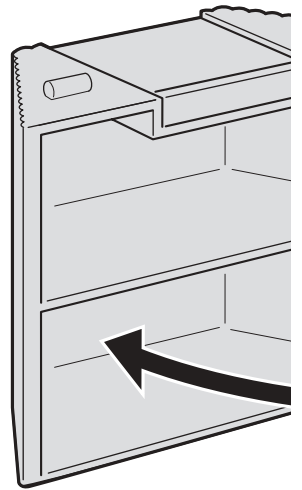


IMPORTANT:

This is a water play toy. Do not use on surfaces that can be damaged by water. Water toys can be messy. Protect play area before use. Drain, rinse, clean and dry all items thoroughly before storing.

2

Open

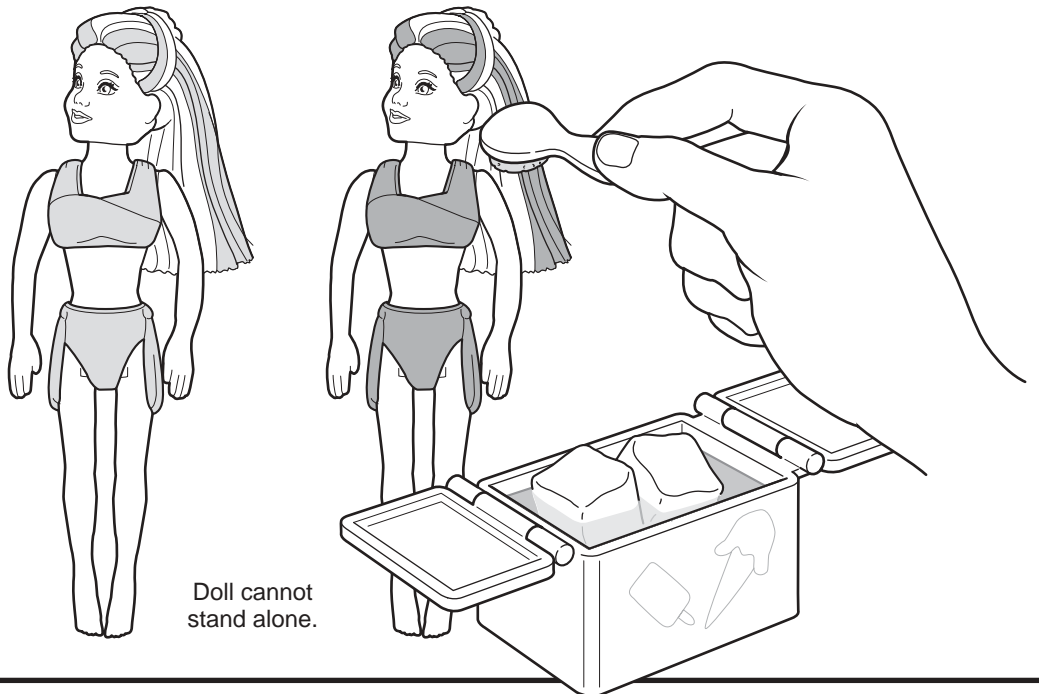


Color-change bathing suit and hair!

Change color of streaks in doll's hair and her bathing suit with **icy cold** water.

Note: Color change requires icy cold water.

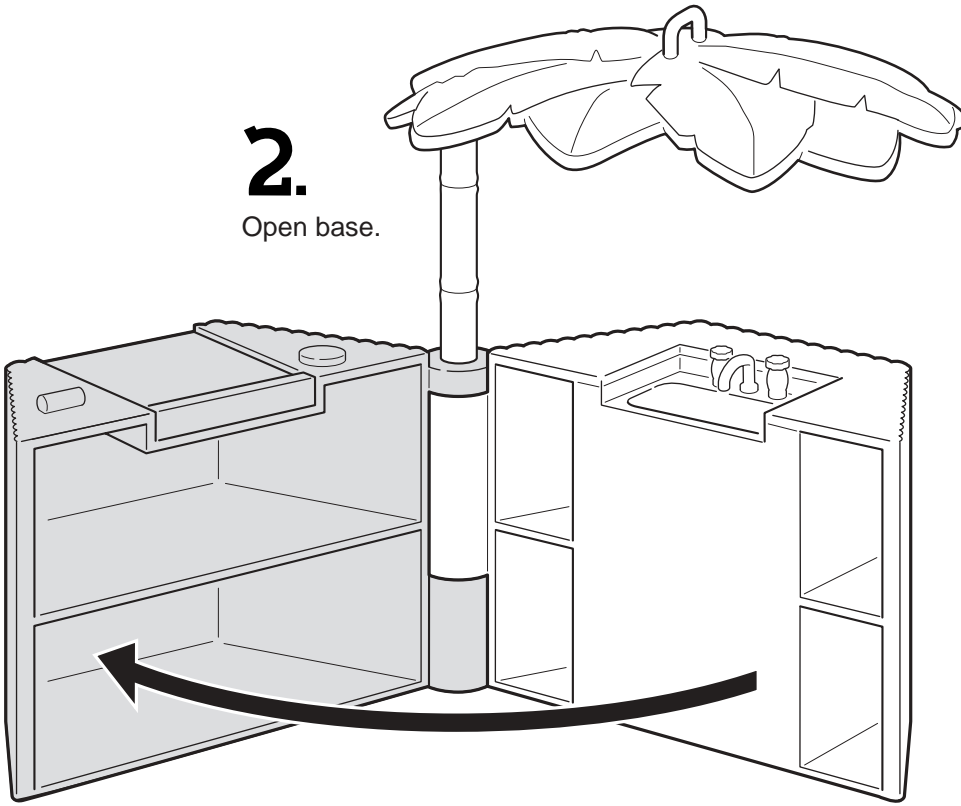
Color change will last longer if you **do not** expose this toy to chlorinated water, intense heat or direct sunlight for prolonged periods of time.



Doll cannot stand alone.

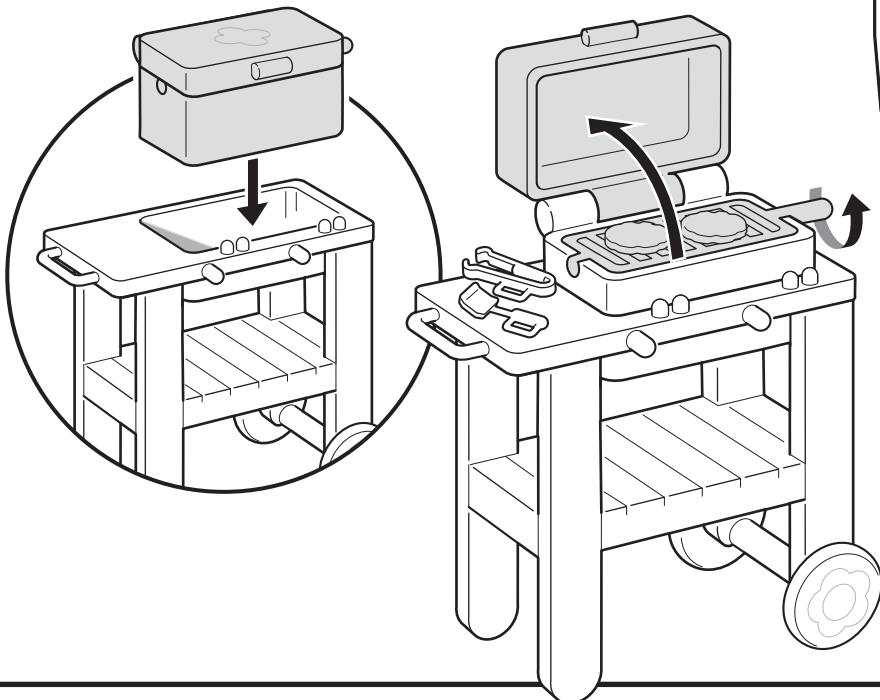
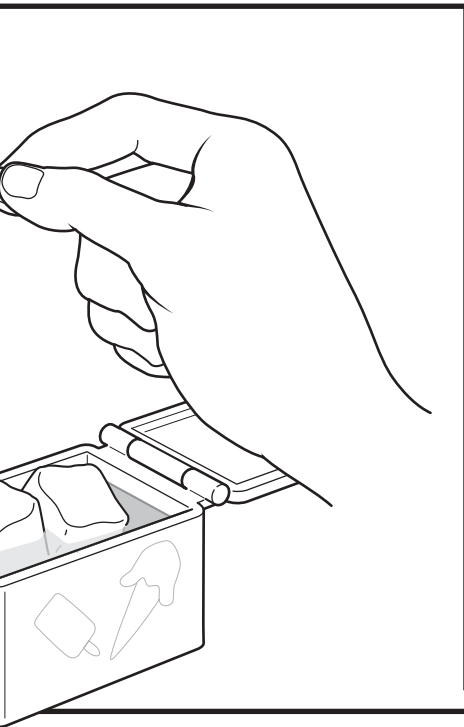
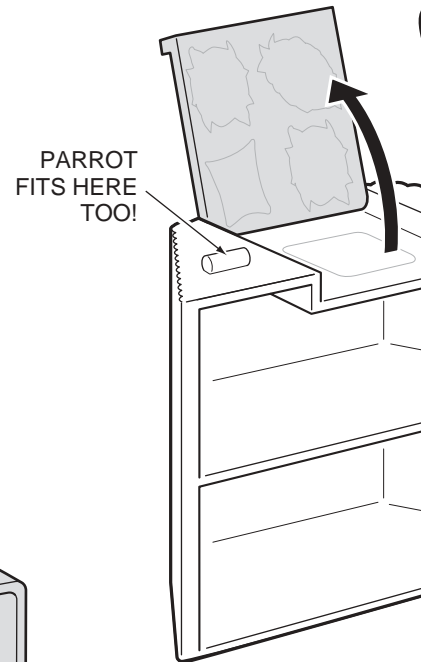
2.

Open base.



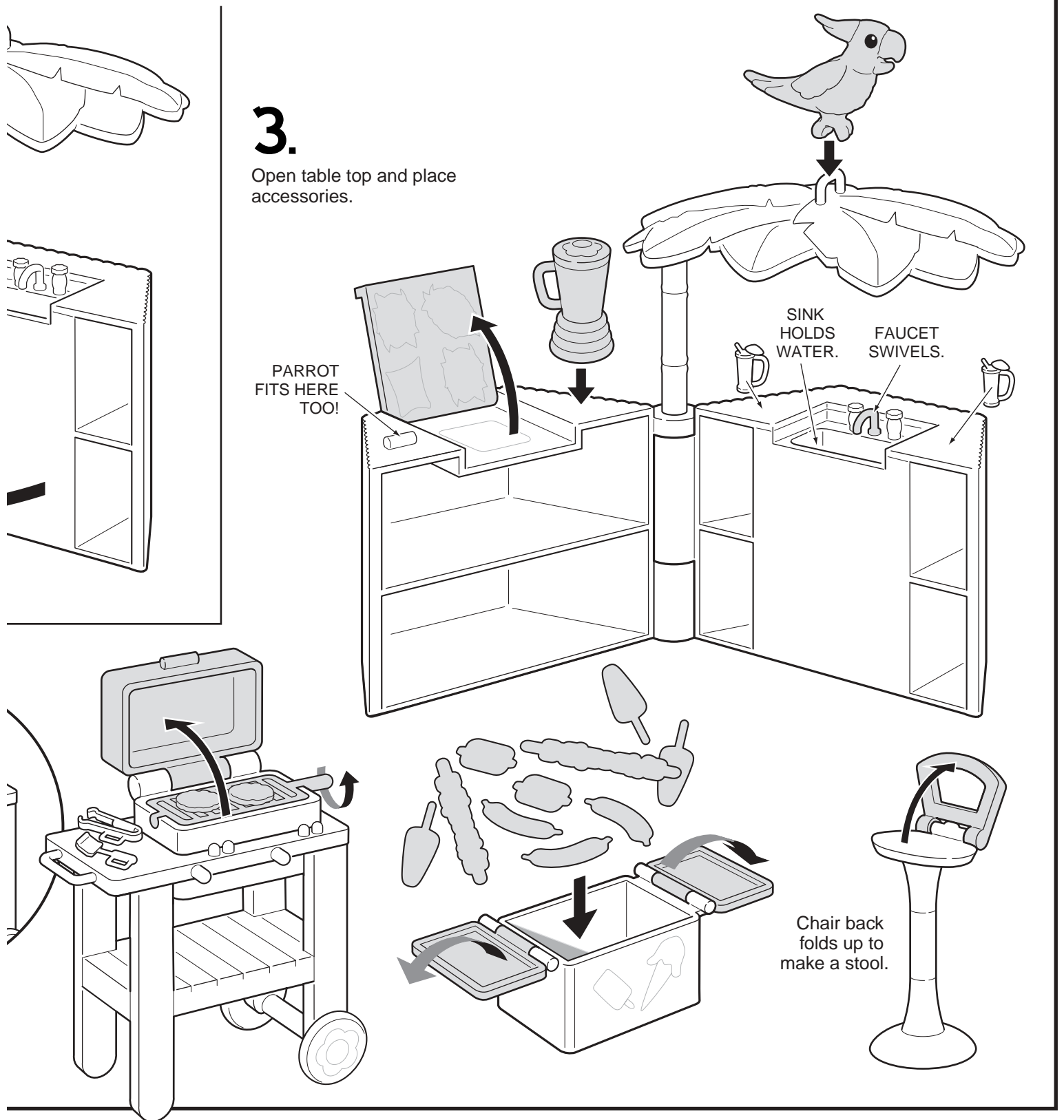
3.

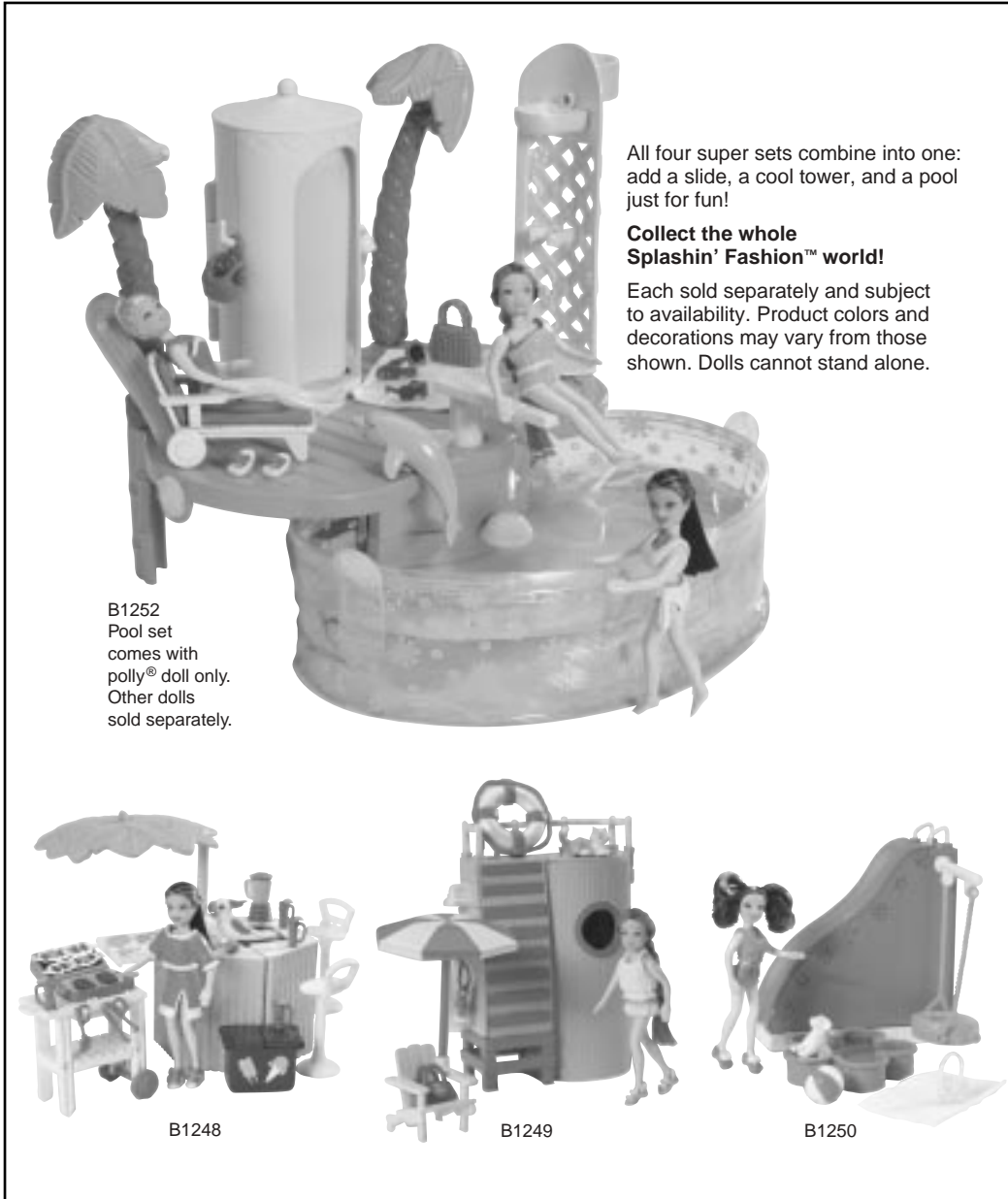
Open table top and place accessories.



3.

Open table top and place accessories.





All four super sets combine into one: add a slide, a cool tower, and a pool just for fun!

Collect the whole Splashin' Fashion™ world!

Each sold separately and subject to availability. Product colors and decorations may vary from those shown. Dolls cannot stand alone.

B1252
Pool set
comes with
poly® doll only.
Other dolls
sold separately.



B1248



B1249



B1250

Check out pollypocket.com



WARNING:
CHOKING HAZARD - Small parts.
Not for children under 3 years.



CONFORMS TO THE SAFETY
REQUIREMENTS OF ASTM F963.

CONSUMER INFORMATION

MATTY MATTEL™ toys



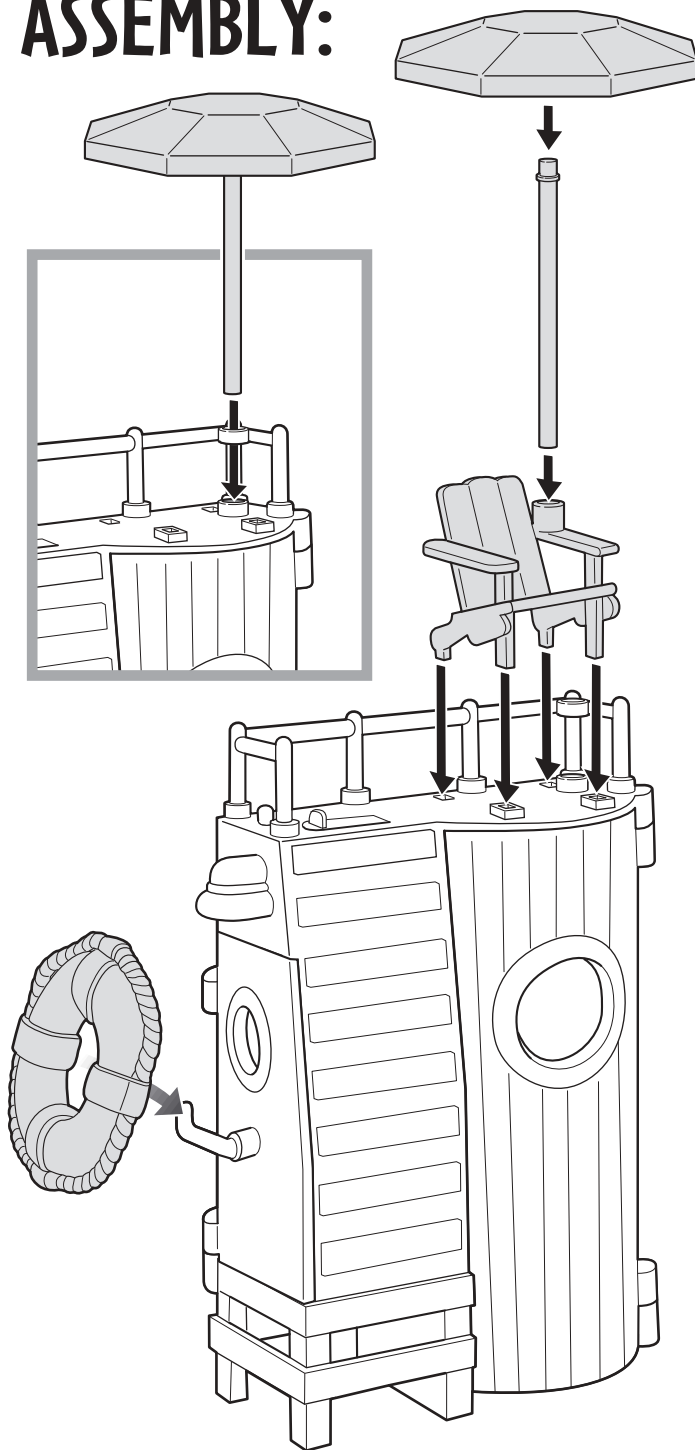
YOU CAN TELL IT'S MATTEL!™ CALL us toll-free or write with any comments or questions about our products or service. Monday-Friday 8:00 a.m.-6:00 p.m. Eastern Time. Outside U.S.A., see telephone directory for Mattel listing.

Consumer Relations, Mattel, Inc.
333 Continental Blvd.
El Segundo, CA 90245 USA

1(800)524-TOYS

WE ARE DEDICATED TO QUALITY PRODUCTS.

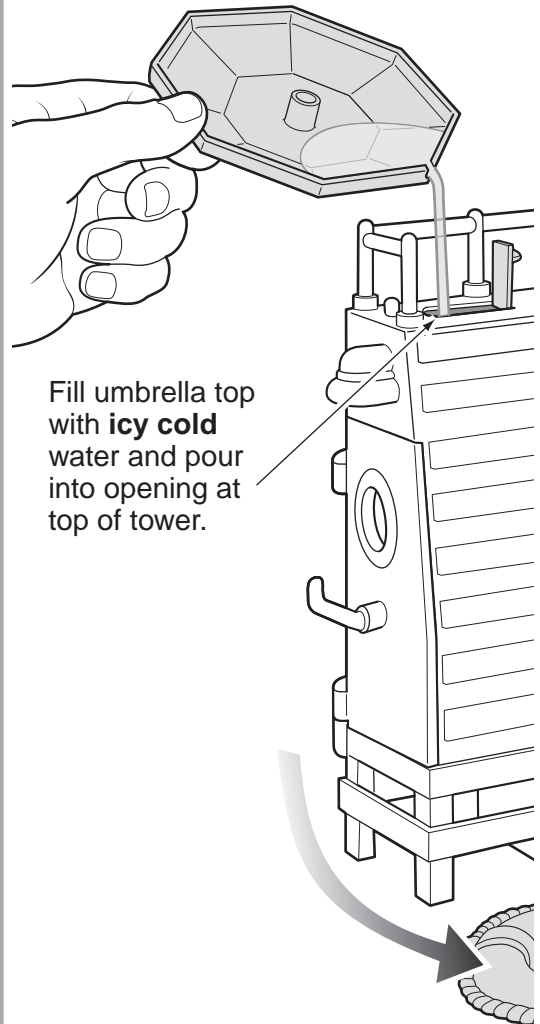
ASSEMBLY:



PLAY TIME:

Color-change bathing suit & hair!

Use the Shower...



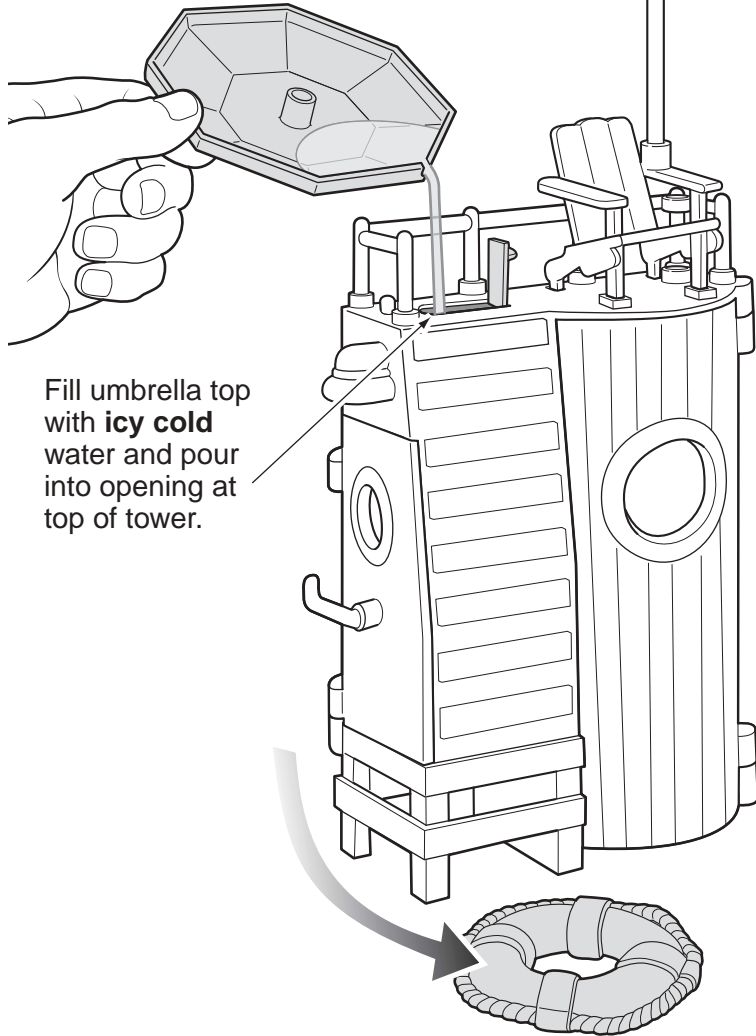
Fill umbrella top with **icy cold** water and pour into opening at top of tower.

PLAY TIME:

Color-change bathing suit & hair!

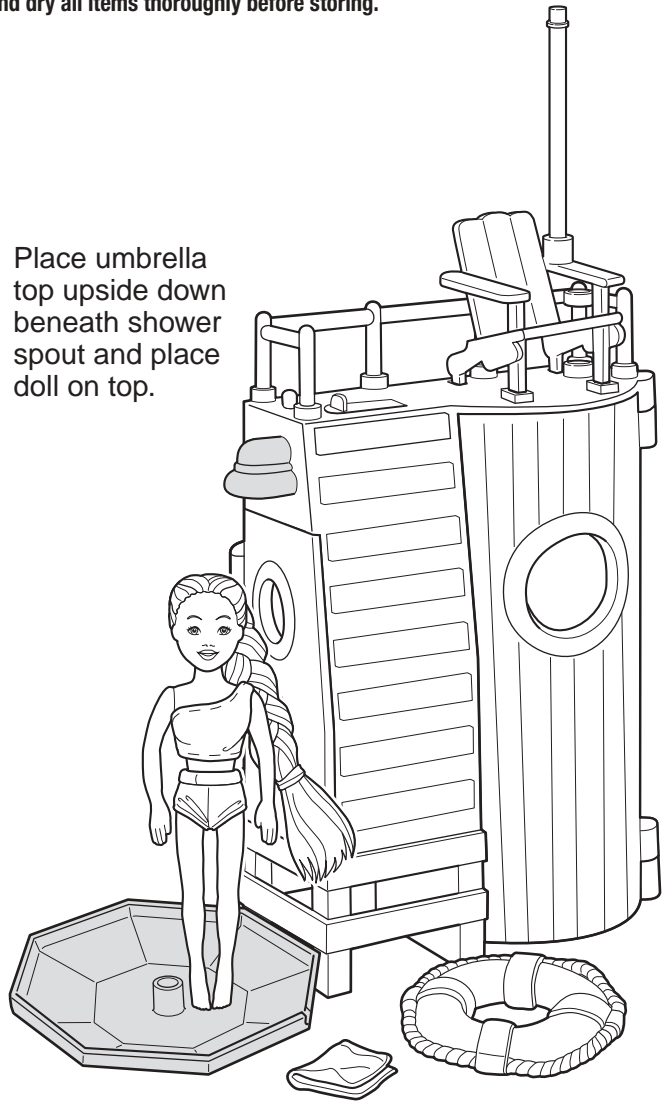
IMPORTANT: This is a water play toy. Do not use on surfaces that can be damaged by water. Water toys can be messy. Protect play area before use. Drain, clean and dry all items thoroughly before storing.

Use the Shower...



Fill umbrella top with **icy cold** water and pour into opening at top of tower.

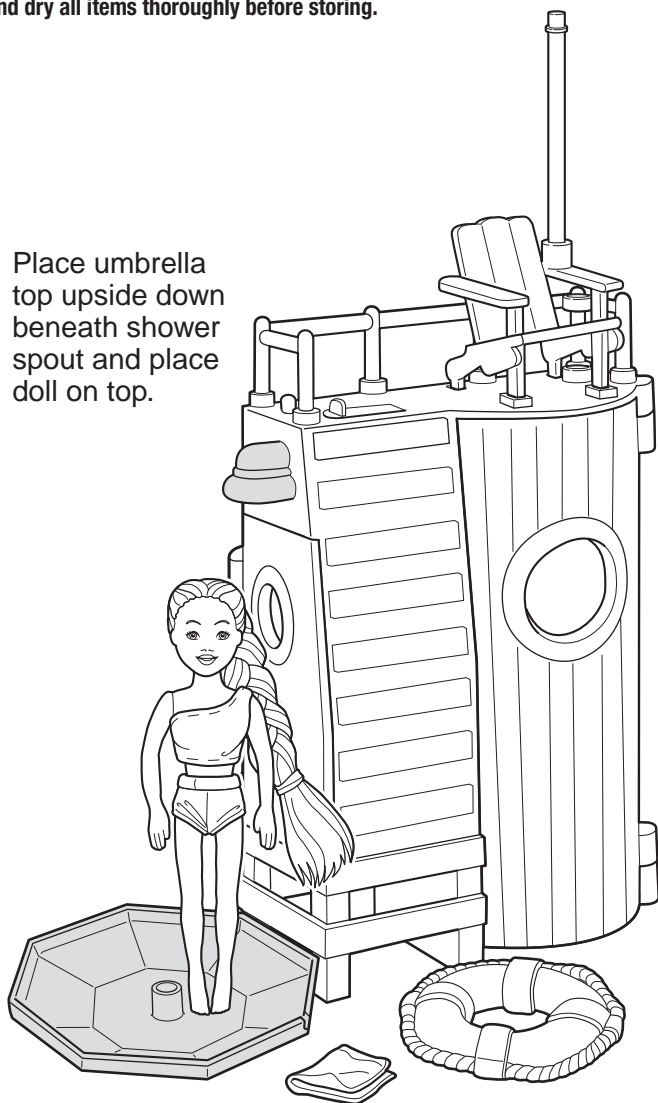
Place umbrella top upside down beneath shower spout and place doll on top.



Doll cannot stand alone.

water play toy. Do not use on surfaces that
ter. Water toys can be messy. Protect play area
n and dry all items thoroughly before storing.

Place umbrella
top upside down
beneath shower
spout and place
doll on top.



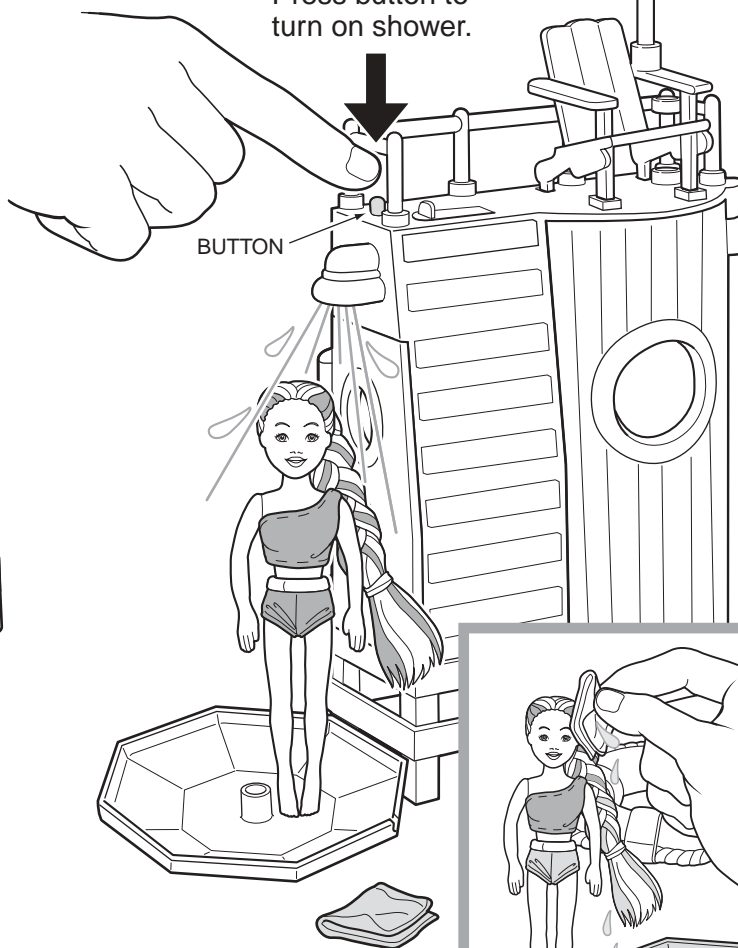
Doll cannot stand alone.

Change color of streaks in doll's hair and her
bathing suit with icy cold water.

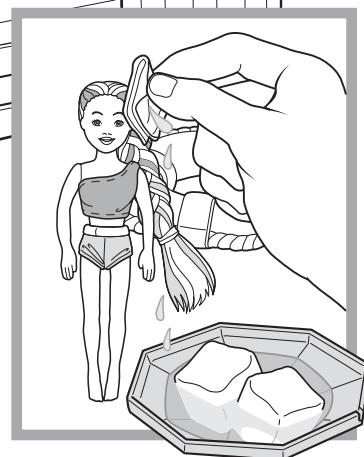
Note: Color change requires icy cold water.

Color change will last longer if you **do not**
expose this toy to chlorinated water, intense
heat or direct sunlight for prolonged periods
of time.

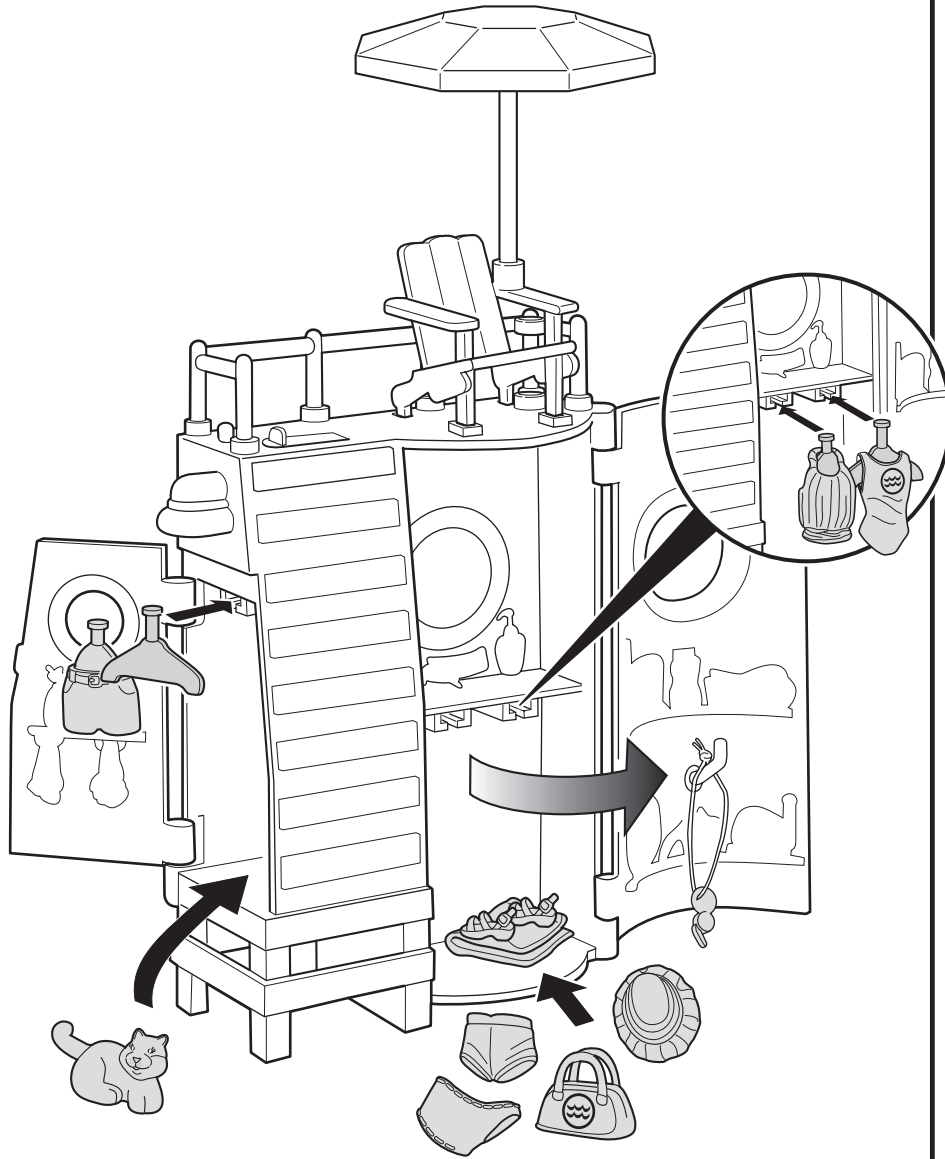
Press button to
turn on shower.



... Or, use the towel!
Apply icy cold water to
doll's hair and swimsuit!

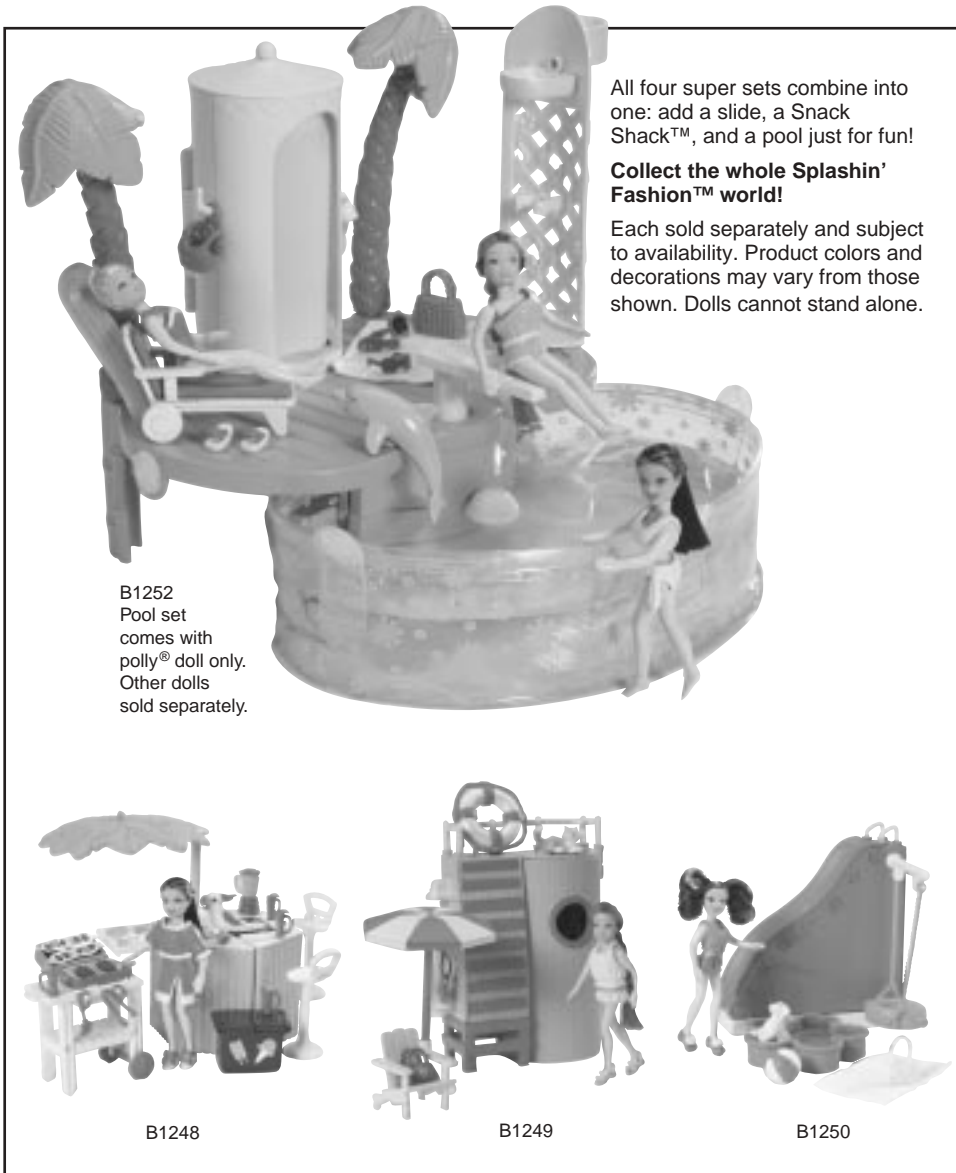


PLAY TIME: continued



STORAGE

Drain, clean, rinse and dry
all toy parts before storing.



All four super sets combine into one: add a slide, a Snack Shack™, and a pool just for fun!

Collect the whole Splashin' Fashion™ world!

Each sold separately and subject to availability. Product colors and decorations may vary from those shown. Dolls cannot stand alone.

B1252
Pool set
comes with
polly® doll only.
Other dolls
sold separately.



B1248



B1249



B1250

Check out polypocket.com



WARNING:
CHOKING HAZARD - Small parts.
Not for children under 3 years.



CONFORMS TO THE SAFETY
REQUIREMENTS OF ASTM F963.

CONSUMER INFORMATION

MATTY MATTEL™ toys



YOU CAN TELL IT'S MATTEL!™ CALL us toll-free or write with any comments or questions about our products or service. Monday-Friday 8:00 a.m.-6:00 p.m. Eastern Time. Outside U.S.A., see telephone directory for Mattel listing.

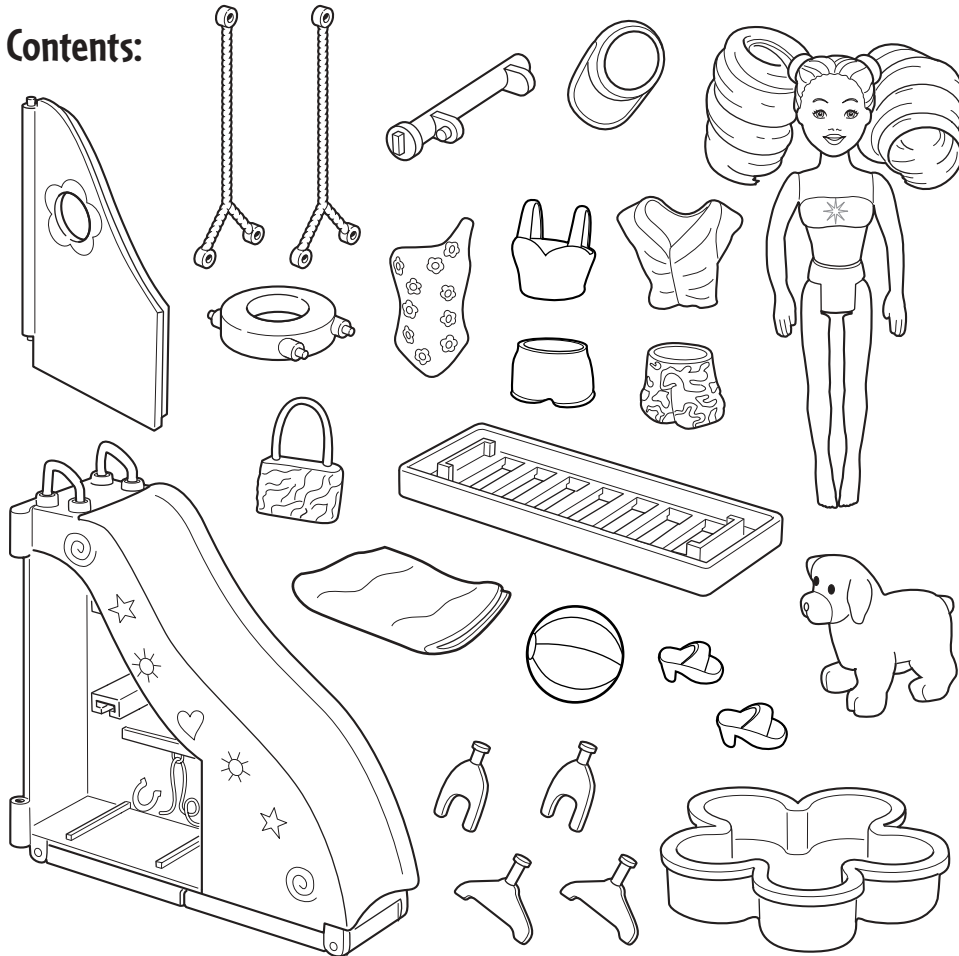
Consumer Relations, Mattel, Inc.
333 Continental Blvd.
El Segundo, CA 90245 USA

1(800)524-TOYS

WE ARE DEDICATED TO QUALITY PRODUCTS.

Lila® INSTRUCTIONS

Contents:

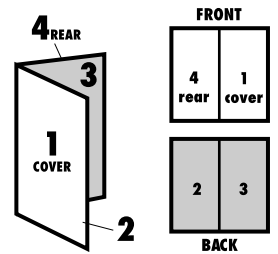


Please remove everything from the package and compare to the contents shown here.
If any items are missing, please call 1-800-524-TOYS.
Keep these instructions for future reference as they contain important information.

INSTRUCTION SHEET SPECIFICATIONS

Toy: Polly – Super Slide
Toy No.: B1250
Part No.: 0920
Trim Size: 12" W x 9" H
Folded Size: 6" W x 9" H
Type of Fold: 2 Panel
colors: One
Colors: Black
Paper Stock: White Offset
Paper Weight: 70 lb.
EDM No.: 002

2 PANEL Folding Dummy



©2002 Origin Products Ltd. All Rights Reserved. Mattel, Inc., El Segundo, CA 90245 U.S.A.
Mattel U.K., Ltd., Vanwall Business Park, Maidenhead SL6 4UB. Helpline 01628500303.
Mattel Australia Pty., Ltd., Richmond, Victoria 3121. Consumer Advisory Service 1800 800 812 (valid only in Australia).
Mattel East Asia Ltd, Room 1106, South Tower, World Finance Centre, Harbour City, Tsingshatsui, HK, China.

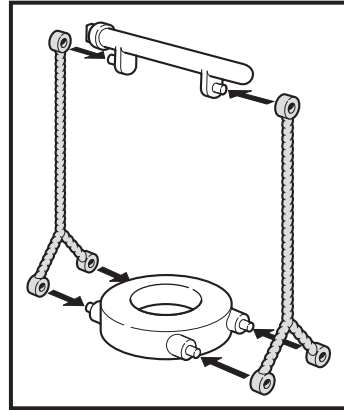
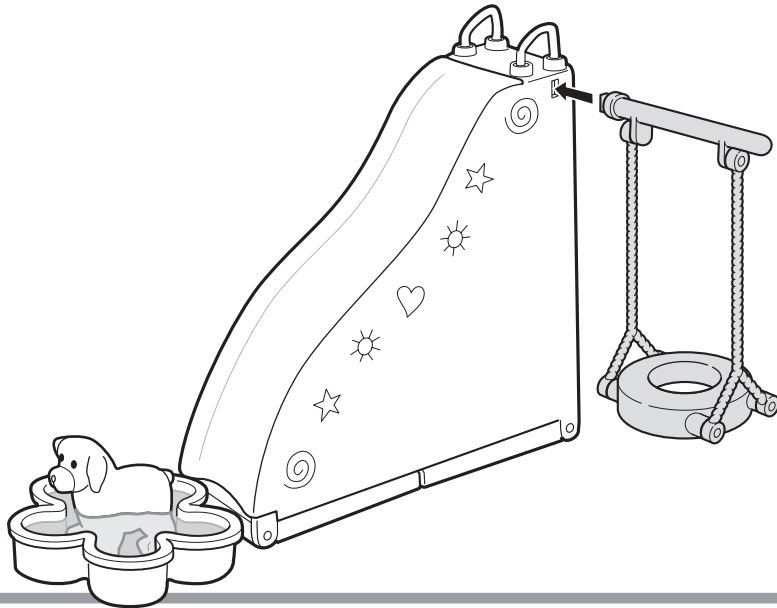


Splashin' Fashion™
Super Slide™
Playset

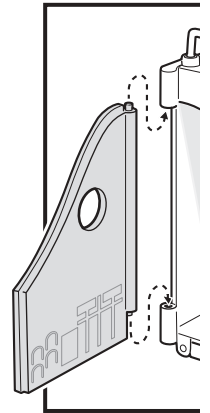


Play Time!

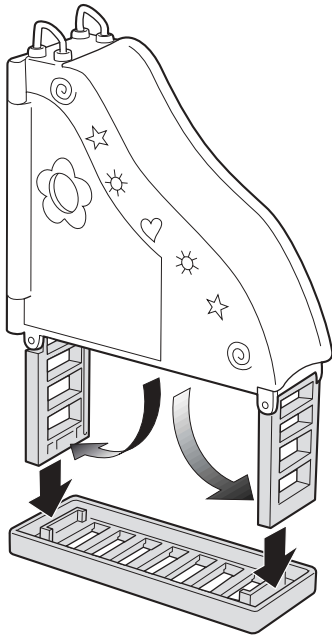
IMPORTANT: This is a water play toy. Do not use on surfaces that can be damaged by water. Water toys can be messy. Protect play area before use. Drain, clean and dry all items thoroughly before storing.



Assemble tire swing.

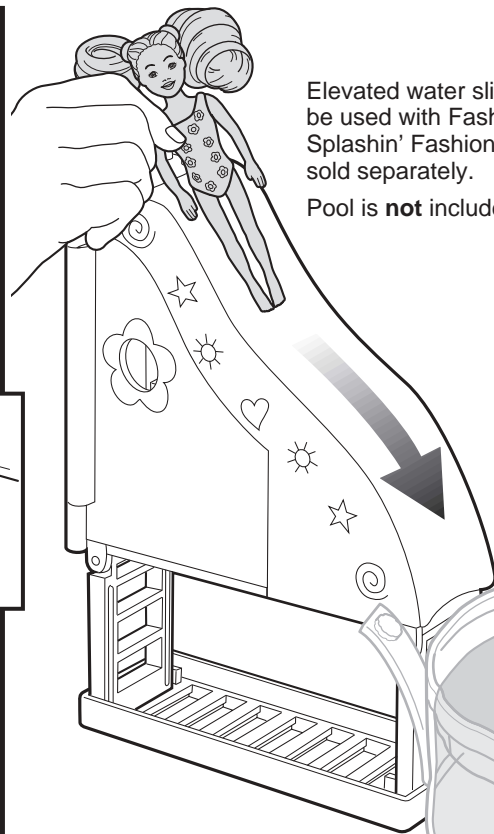


Open closet door on left side. Place clothes on hanger and slide into closet. Store small accessories on floor.

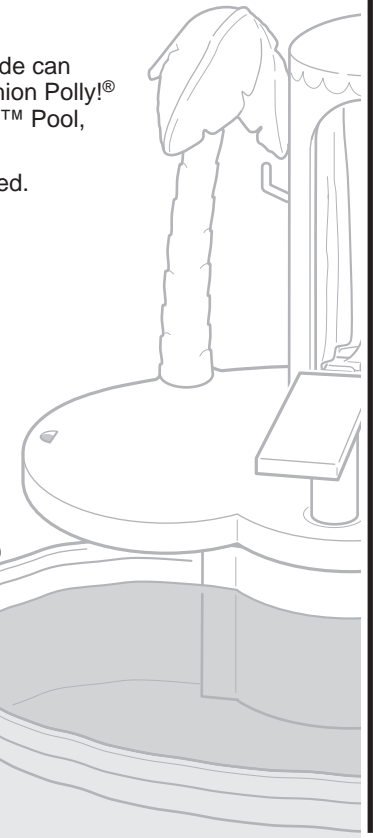


Convert to High Slide

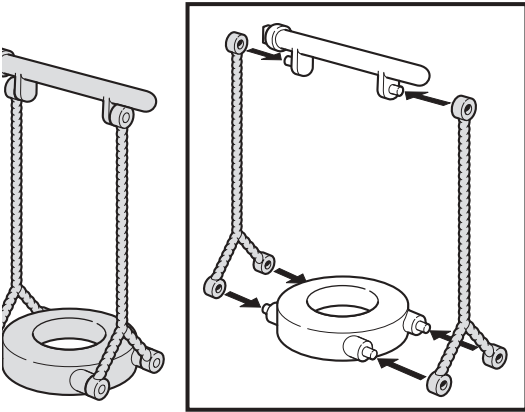
Lower legs under slide and snap into base to raise slide to Fashion Polly!® Splashin' Fashion™ Pool, sold separately.



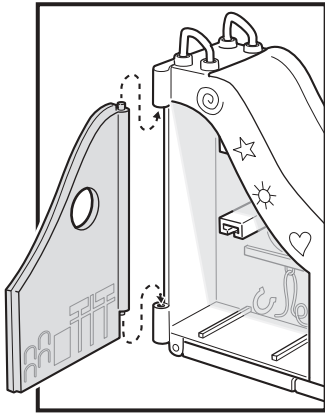
Elevated water slide can be used with Fashion Polly!® Splashin' Fashion™ Pool, sold separately. Pool is **not** included.



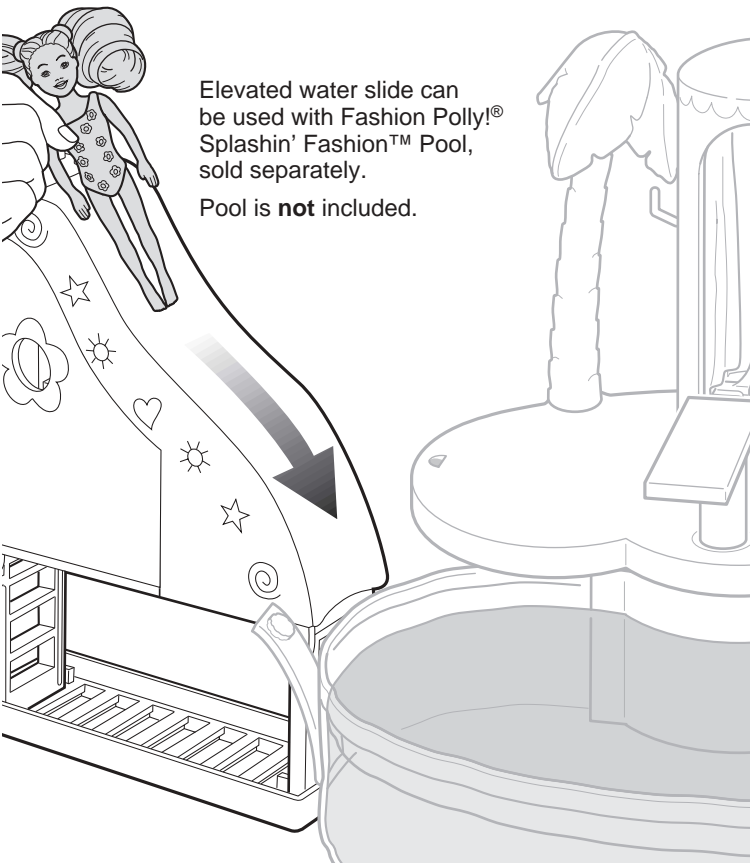
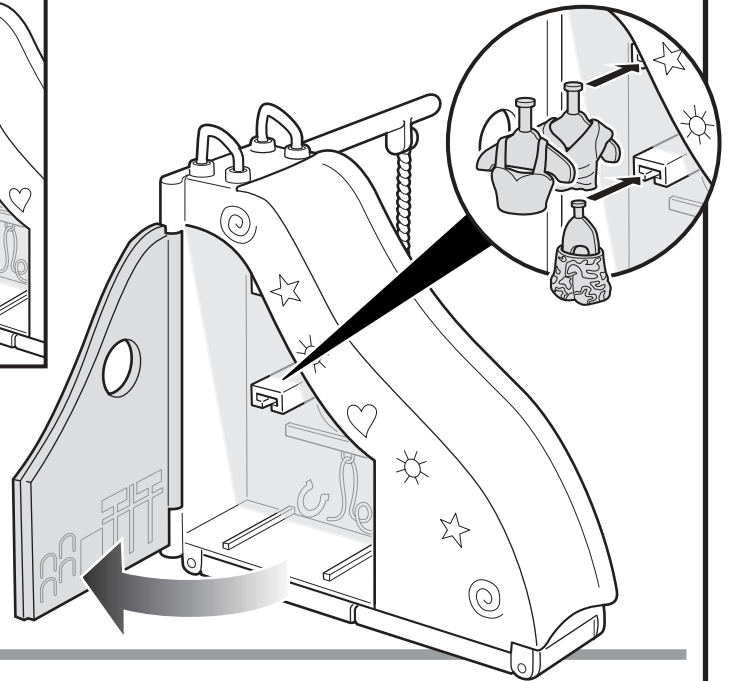
Play toy. Do not use on surfaces that can get messy. Protect play area and dry all items thoroughly before storing.



Assemble tire swing.



Open closet door on left side. Place clothes on hangers and slide into slots in closet. Store small accessories on floor.



Elevated water slide can be used with Fashion Polly!® Splashin' Fashion™ Pool, sold separately.

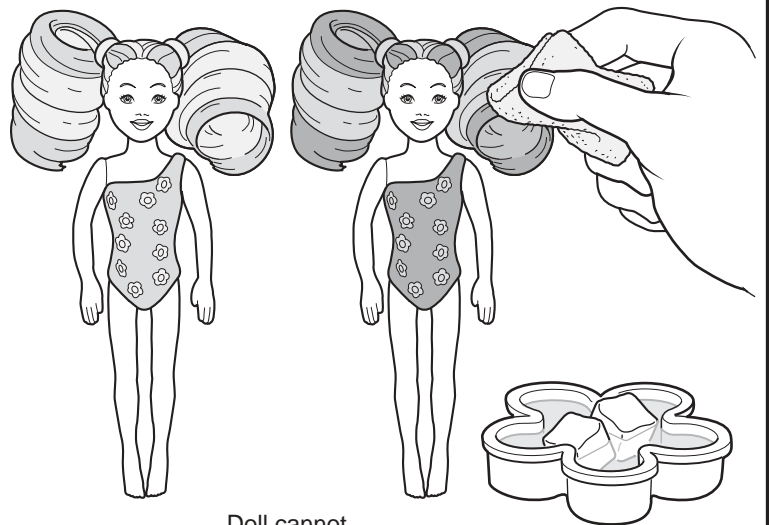
Pool is **not** included.

Color-change bathing suit and hair!

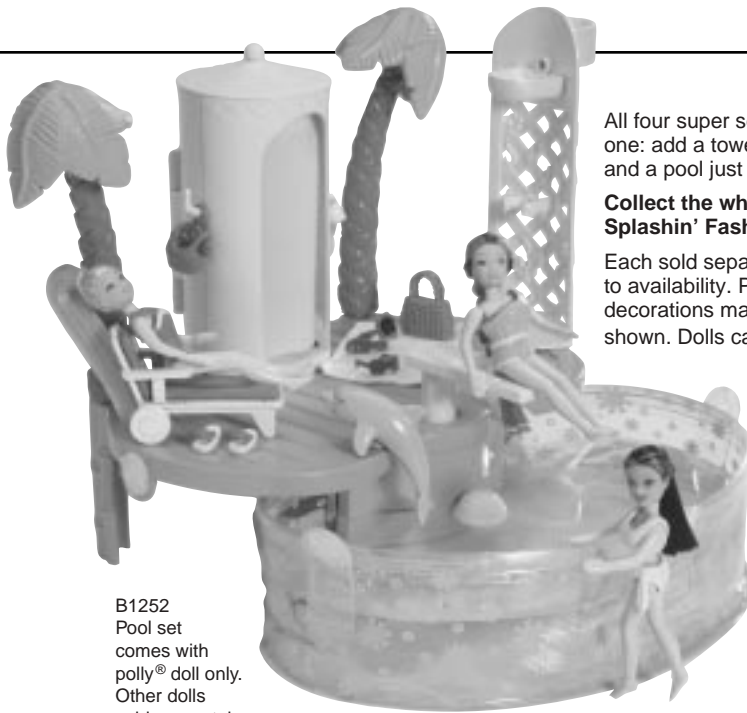
Change color of streaks in doll's hair and her bathing suit with **icy cold water**.

Note: Color change requires icy cold water.

Color change will last longer if you **do not** expose this toy to chlorinated water, intense heat or direct sunlight for prolonged periods of time.



Doll cannot stand alone.



All four super sets combine into one: add a tower, Snack Shack™, and a pool just for fun!

Collect the whole Splashin' Fashion™ world!

Each sold separately and subject to availability. Product colors and decorations may vary from those shown. Dolls cannot stand alone.

B1252
Pool set
comes with
polly® doll only.
Other dolls
sold separately.



B1248



B1249



B1250

Check out polypocket.com



WARNING:
CHOKING HAZARD - Small parts.
Not for children under 3 years.



CONFORMS TO THE SAFETY
REQUIREMENTS OF ASTM F963.

CONSUMER INFORMATION

MATTY MATTEL™ TOYS



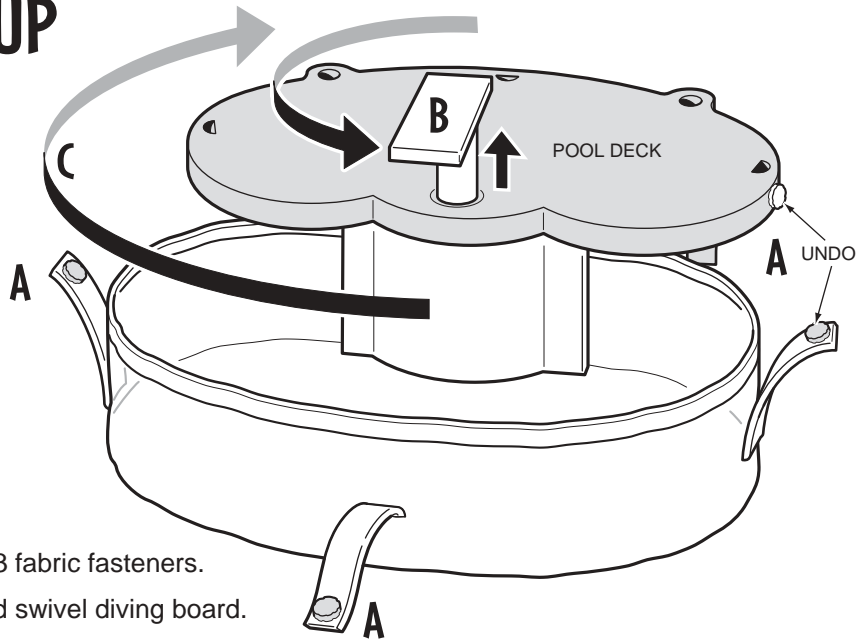
YOU CAN TELL IT'S MATTEL!™ CALL us toll-free or write with any comments or questions about our products or service. Monday-Friday 8:00 a.m.-6:00 p.m. Eastern Time. Outside U.S.A., see telephone directory for Mattel listing.

Consumer Relations, Mattel, Inc.
333 Continental Blvd.
El Segundo, CA 90245 USA

1(800)524-TOYS

WE ARE DEDICATED TO QUALITY PRODUCTS.

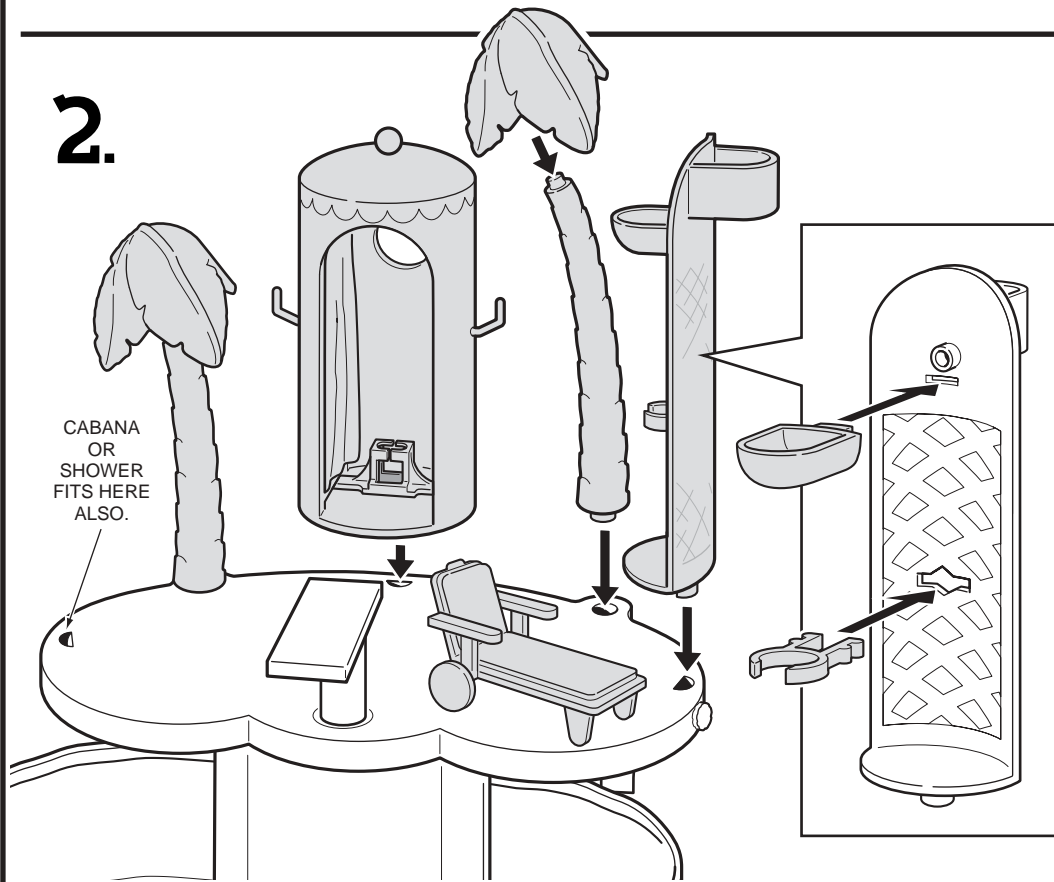
SET UP



1.

- A. Undo 3 fabric fasteners.
- B. Lift and swivel diving board.
- C. Swing pool deck around.

2.

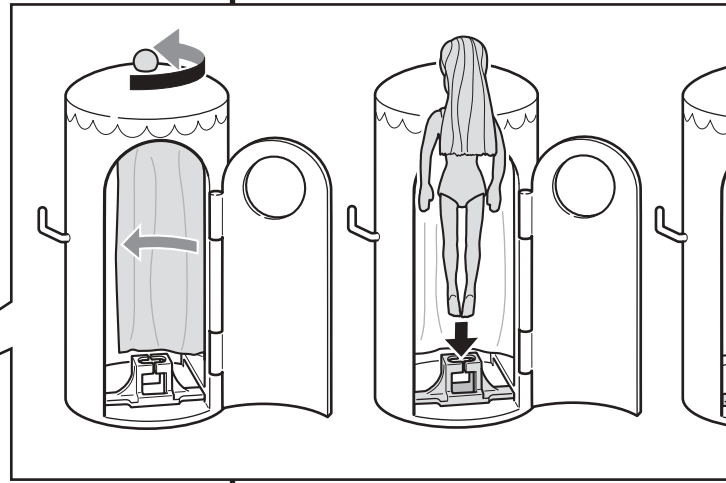


Play Time!

IMPORTANT: This is a water play toy. Do not use on surfaces that can be damaged by water. Water toys can be messy. Protect play area before use. Drain, clean and dry all items thoroughly before storing.

3.

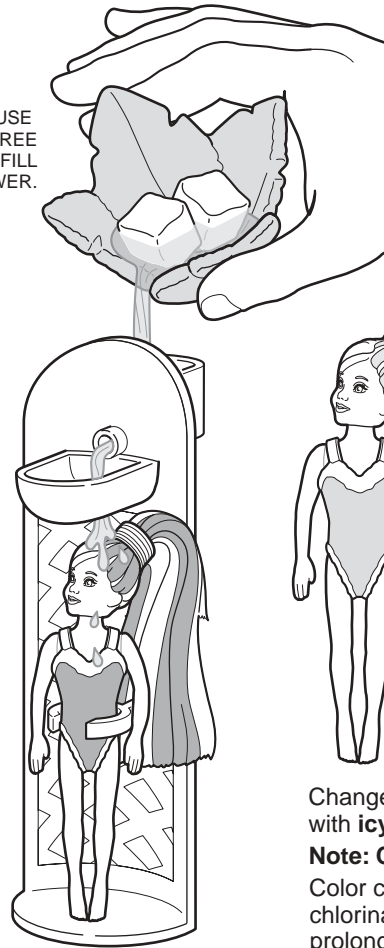
Fill pool with water.
Dolphin is waiting for you to play ball!



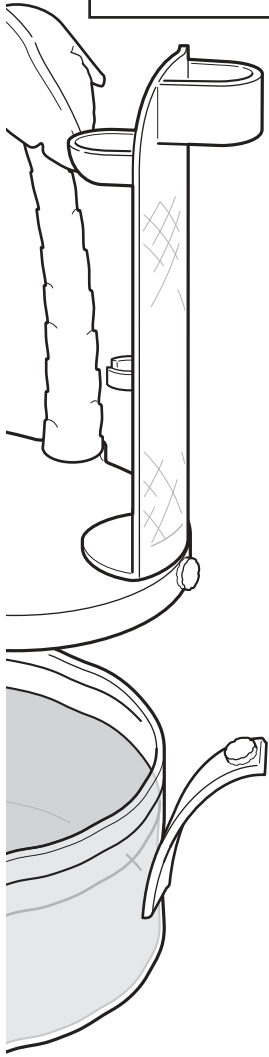
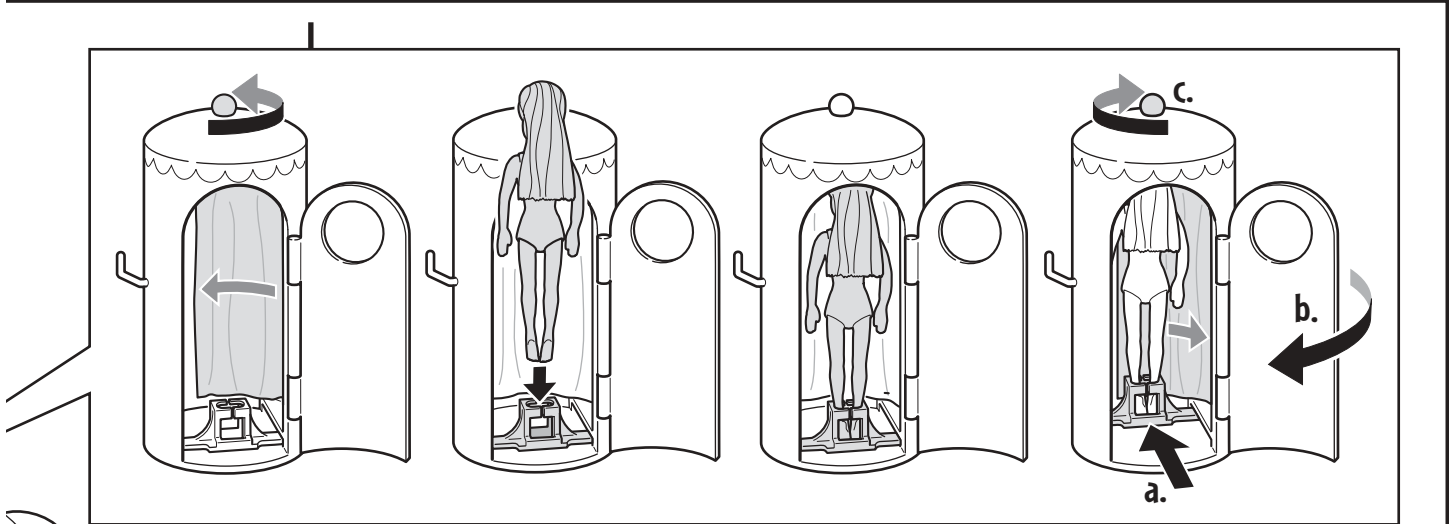
4.

Color-change

USE
PALM TREE
'CUP' TO FILL
SHOWER.



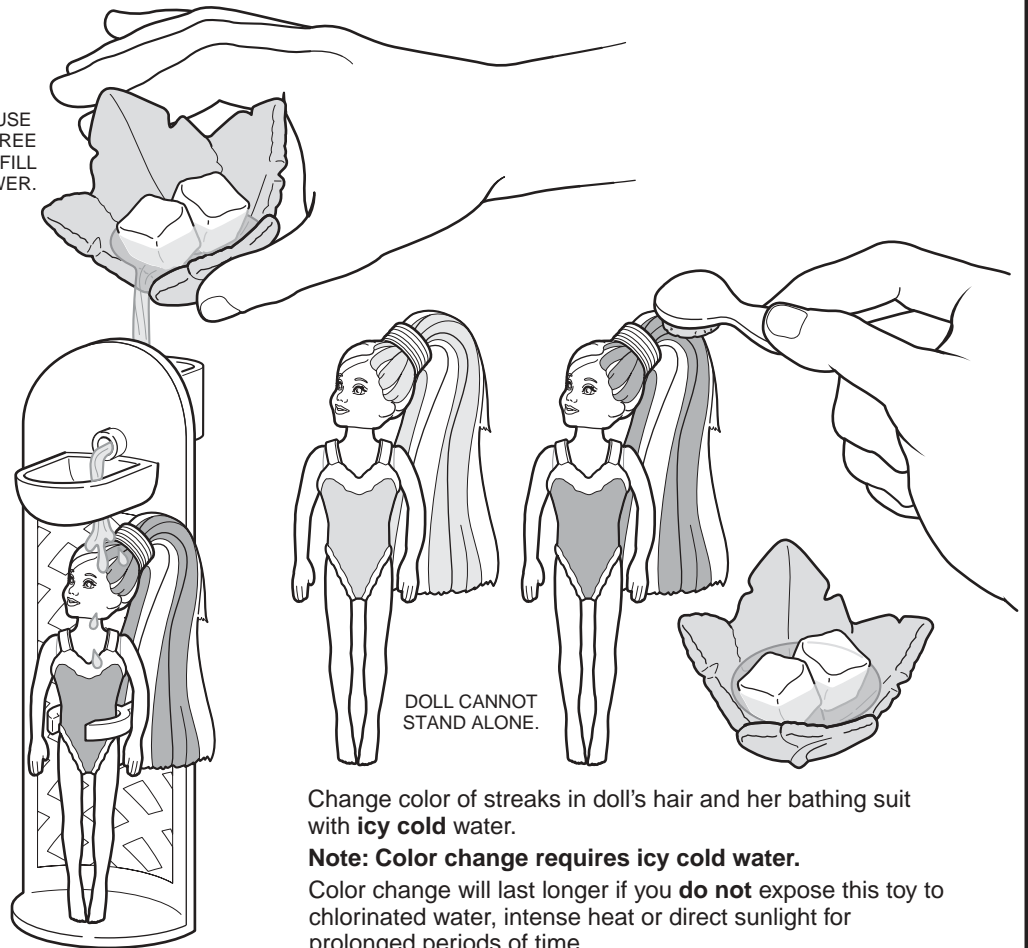
Change
with icy
Note: C
Color c
chlorina
prolong



4.

Color-change bathing suit and hair!

USE
PALM TREE
'CUP' TO FILL
SHOWER.



DOLL CANNOT
STAND ALONE.

Change color of streaks in doll's hair and her bathing suit with **icy cold** water.

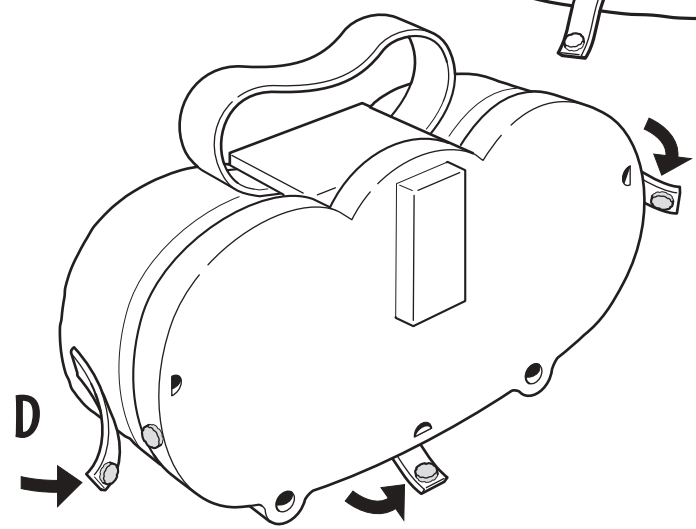
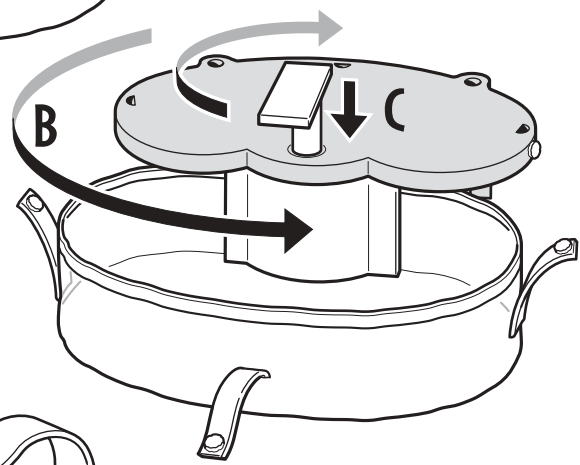
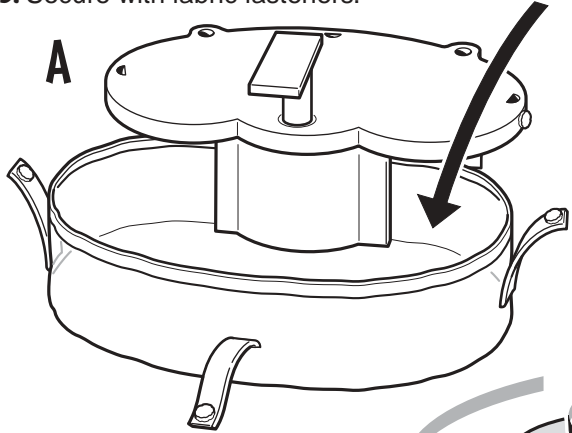
Note: Color change requires icy cold water.

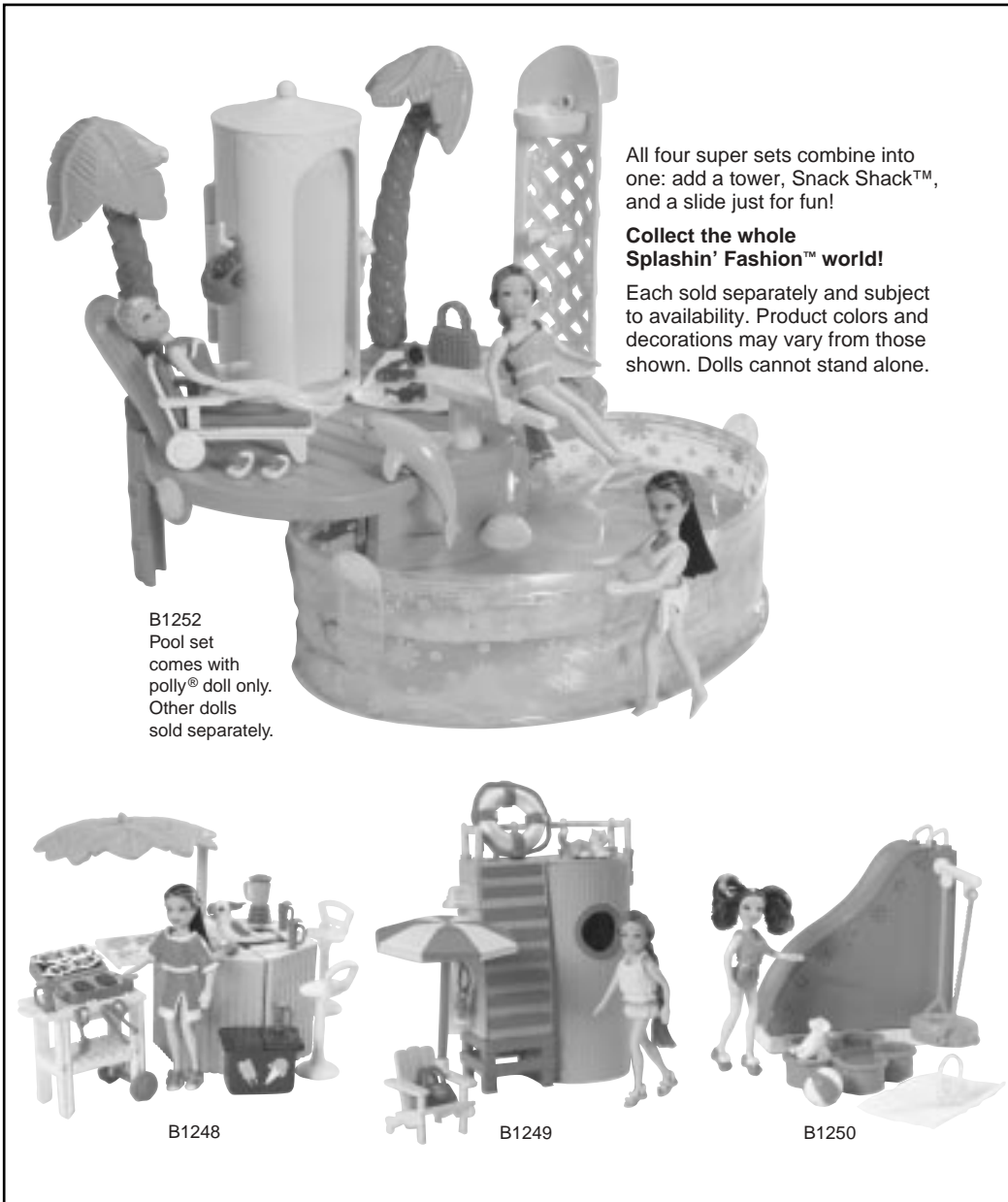
Color change will last longer if you **do not** expose this toy to chlorinated water, intense heat or direct sunlight for prolonged periods of time.

Storage

Drain water and dry all toy parts.

- A.** Put play items into pool.
- B.** Close pool by swinging deck into place.
- C.** Swing diving board around then press down.
- D.** Secure with fabric fasteners.





All four super sets combine into one: add a tower, Snack Shack™, and a slide just for fun!

Collect the whole Splashin' Fashion™ world!

Each sold separately and subject to availability. Product colors and decorations may vary from those shown. Dolls cannot stand alone.

B1252
Pool set comes with polly® doll only. Other dolls sold separately.



B1248



B1249



B1250

Check out pollypocket.com



WARNING:
CHOKING HAZARD - Contains small parts and small balls. Not for children under 3 years.



CONFORMS TO THE SAFETY REQUIREMENTS OF ASTM F963.

CONSUMER INFORMATION

MATTY MATTEL™ toys



YOU CAN TELL IT'S MATTEL!™ CALL us toll-free or write with any comments or questions about our products or service. Monday-Friday 8:00 a.m.-6:00 p.m. Eastern Time. Outside U.S.A., see telephone directory for Mattel listing.

Consumer Relations, Mattel, Inc.
333 Continental Blvd.
El Segundo, CA 90245 USA

1(800)524-TOYS

WE ARE DEDICATED TO QUALITY PRODUCTS.