

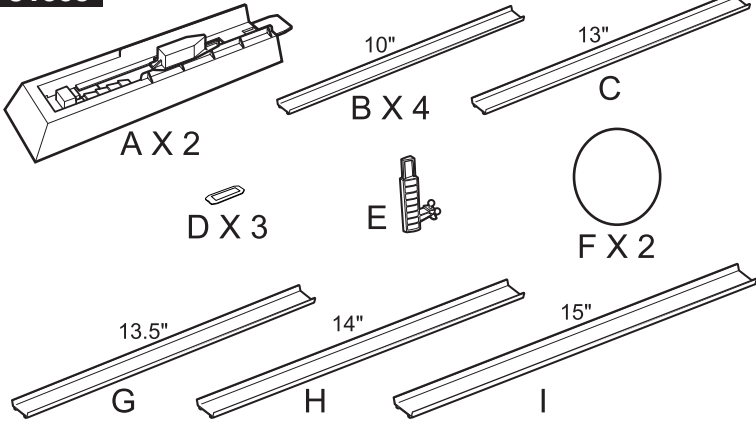


Please keep these instructions for future reference, as they contain important information.

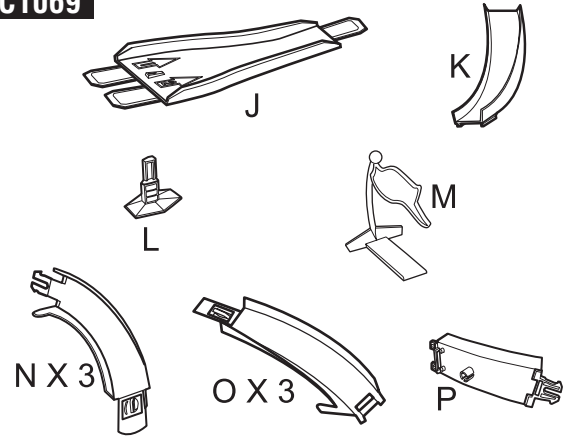
WARNING:
CHOKING HAZARD - Small parts.
Not for children under 3 years.

PRODUCT ASSEMBLY AND LABEL APPLICATION

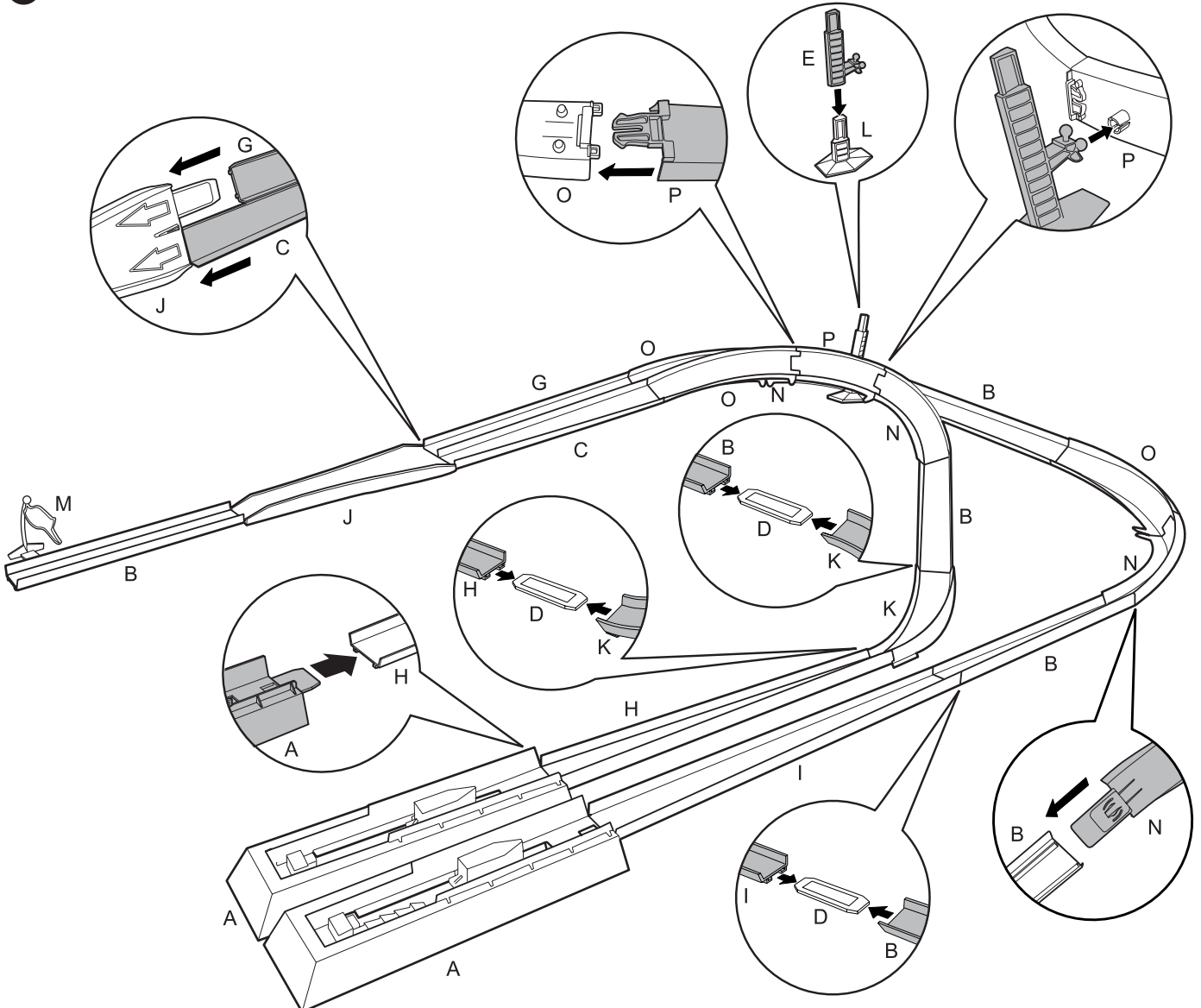
C1068



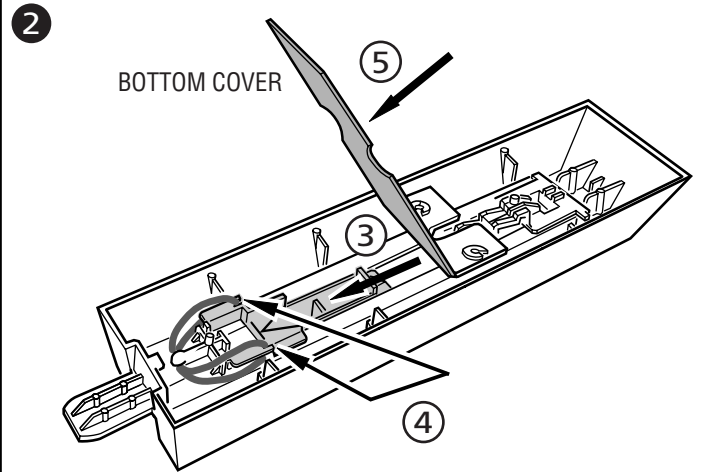
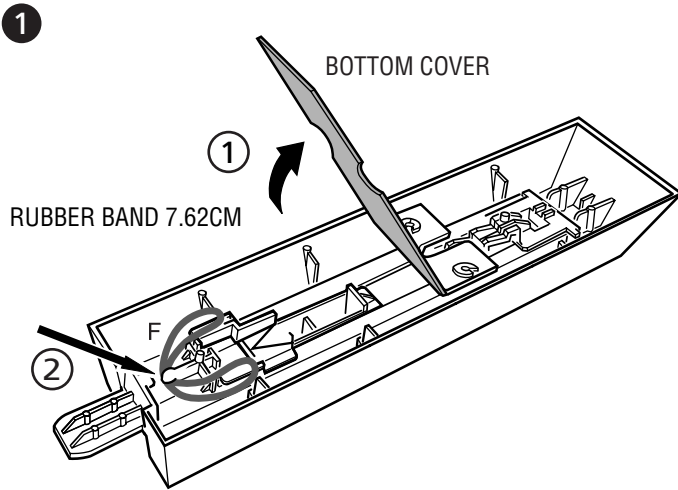
C1069



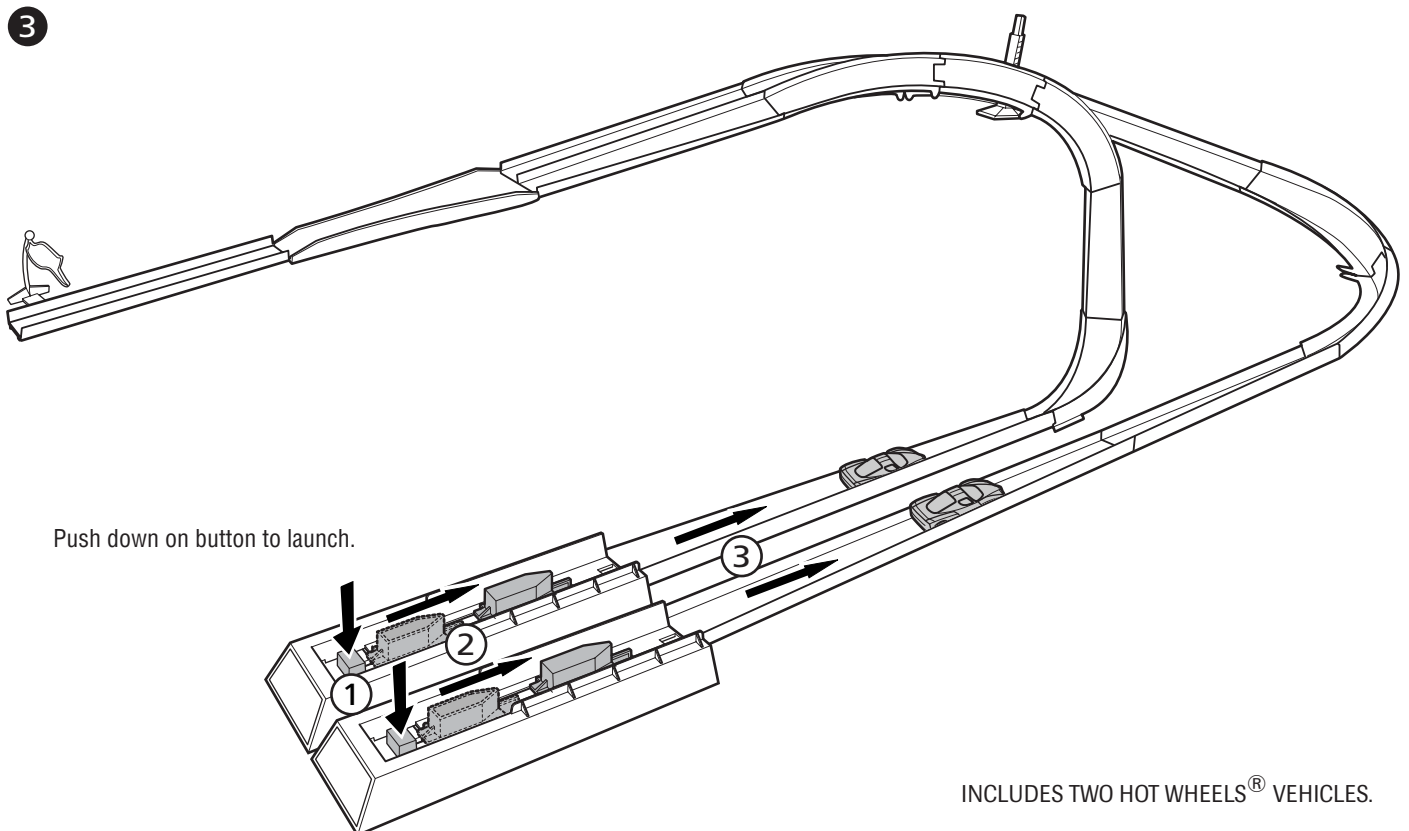
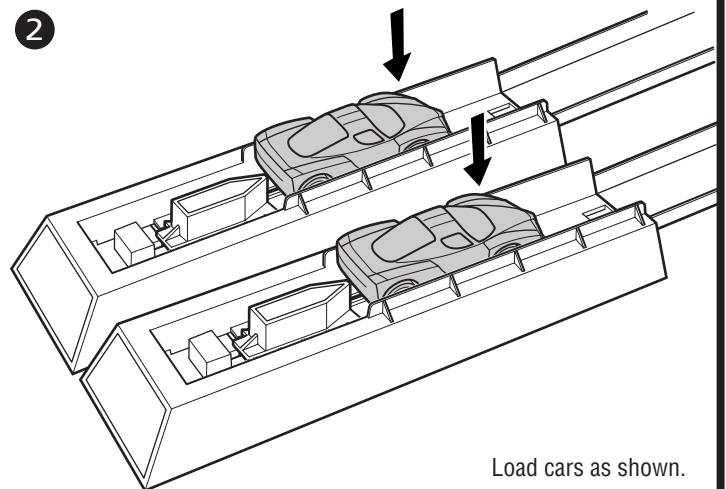
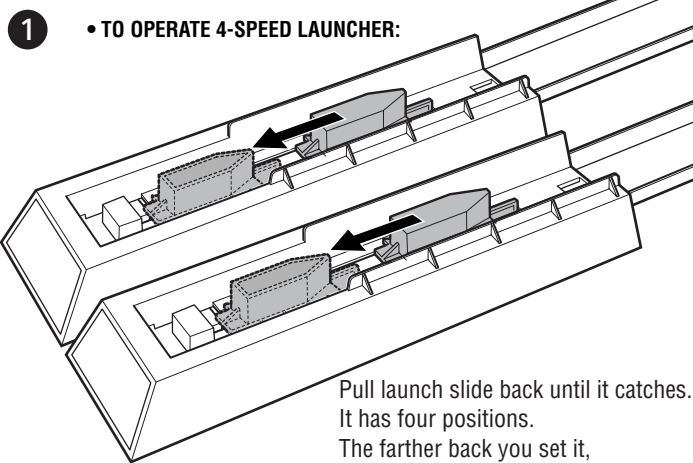
1 ADULT ASSEMBLY REQUIRED



HOW TO REPLACE RUBBER BAND IN LAUNCHER



HOW TO PLAY



HOT WHEELS® and associated trademarks are owned by Mattel, Inc.

© 2003 Mattel, Inc. All Rights Reserved.

Mattel U.K., Ltd., Vanwall Business Park, Maidenhead SL6 4UB. Helpline 01628500303

B9228-9993-S1
Asst. B9228-9993