

TAPE HERE



FOR INSTRUCTIONAL VIDEOS AND MORE GO TO WWW.HOTWHEELS.COM/WALLTRACKS

4+

SPRINT SPEEDWAY™ HANGING TEMPLATE

Keep these instructions for future reference as they contain important information.

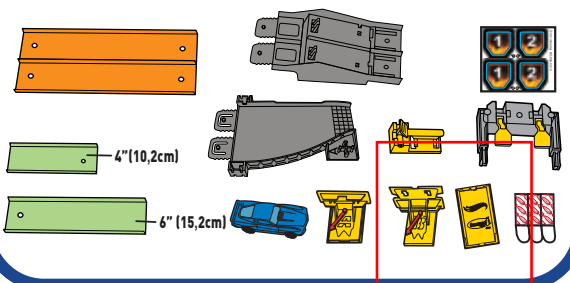


Brackets should NOT overlap template

PRESS FIRMLY FOR 30 SECONDS

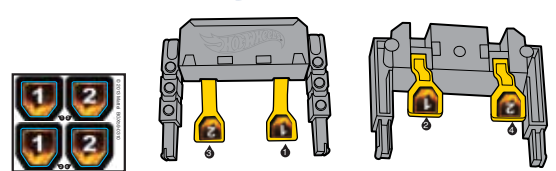
Press bracket firmly for 30 seconds.

CONTENTS: (Adult Assembly Only)



APPLY LABELS

Helpful Hint: Apply label before assembly as shown.



YOU WILL NEED:

- Low-adhesive tape such as painter's tape or masking tape
- Approximately 3 feet by 1 foot (90cm x 30cm) of open wall space
- 20 minutes

START HERE:

Please read all instructions before beginning assembly and set-up.

1 HANG TEMPLATE

Lie template flat and level against wall and tape as shown. The top of the template should align with the height of the child.

NOTE TO PARENTS: Before applying Command® Strips make sure the wall surface is clean and dry. If cleaning is necessary 3M recommends using isopropyl rubbing alcohol. Do not use household cleaners.



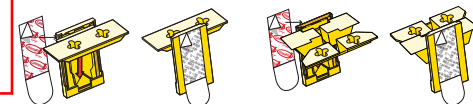
2 PREPARE BRACKETS

Mounting Plate. There are 2 yellow brackets [Marked A - B] and 3 Command® Strips (1 extra strip).

Mounting Bracket. Assemble each bracket by snapping the mounting bracket and mounting plate together.

Separate strips. Remove red-printed liner from Command® Strips and apply to back of brackets as shown. Make sure the strip tab is accessible for future removal.

Red Printing = On Bracket



Black Printing = On Wall

NOTE: Apply strips to surfaces above 50°F (10°C). Adhesive could lose adhesion above 105°F (40°C).

CAUTION: DO NOT use with wallpaper. May not adhere well to vinyl surfaces. DO NOT hang items over beds.

NOTE: DO NOT PULL BRACKET OFF WALL without reading removal instructions in step 8.

3 HANG BRACKETS

Remove black-printed liner from Command® Strips and attach each bracket into the designated notch of the template as shown. Bracket should not overlap the template.

Press bracket firmly onto wall and hold, pressing for 30 seconds.

Red arrow should line up with arrow on bracket.



4 REMOVE TEMPLATE

Once all brackets are firmly attached with red arrows correctly oriented, remove template.

Note: For optimal adhesion performance 3M recommends waiting 1 hour before adding weight to Command® Strips.

Press bracket firmly for 30 seconds.

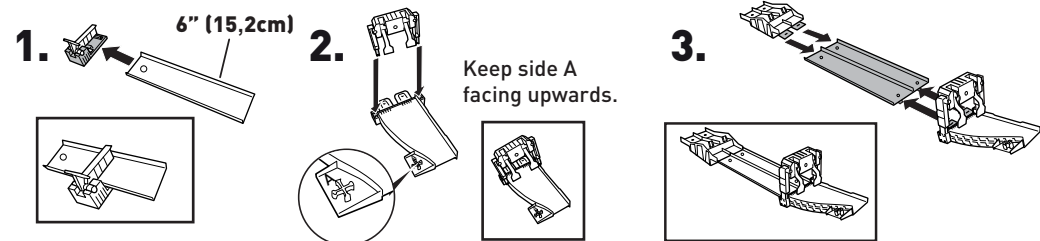


REVERSIBLE TRACK!
FLIP TEMPLATE OVER FOR INSTRUCTIONS.

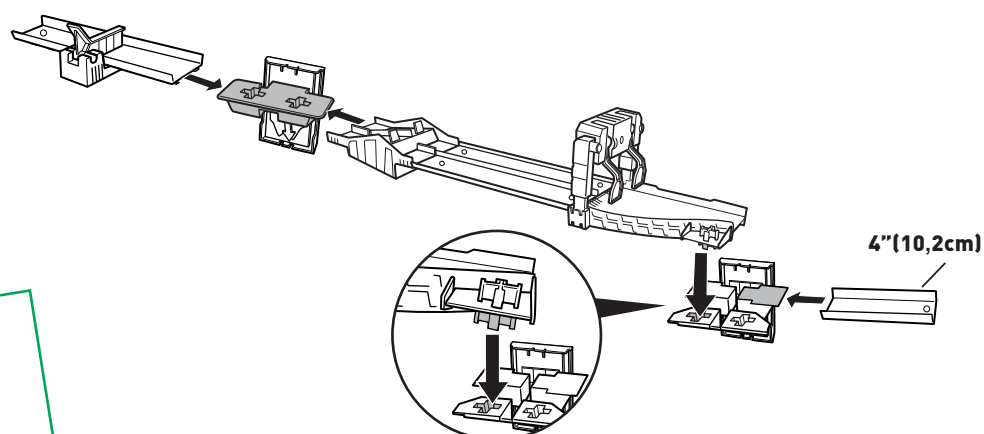
SEE REVERSE FOR STEPS 5-8.

SEE OTHER SIDE FOR STEPS 1-4

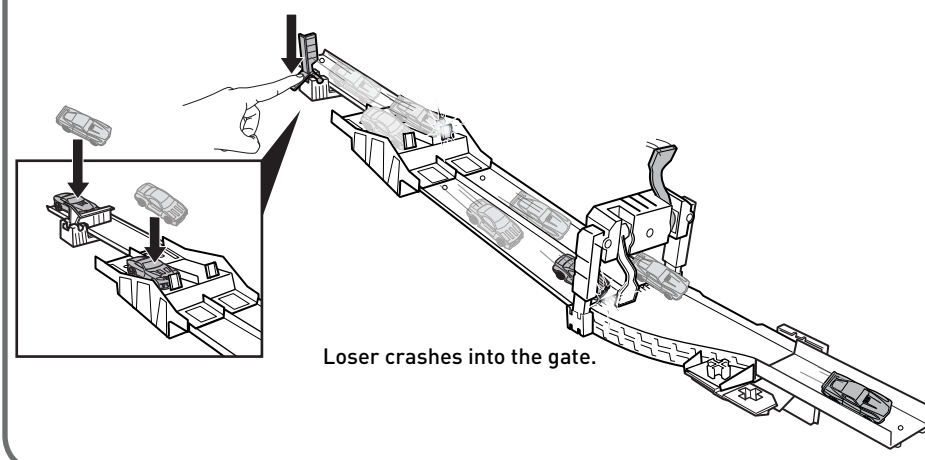
5 ASSEMBLE TRACK PIECES



6 HANG TRACK ON WALL



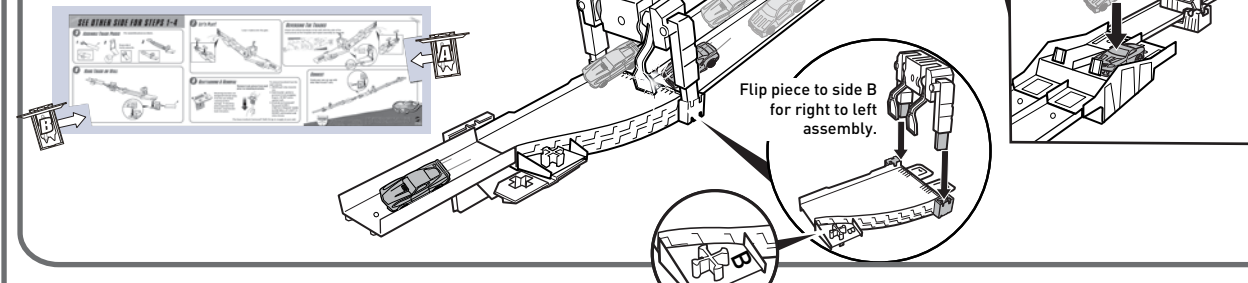
7 LET'S PLAY!



Loser crashes into the gate.

REVERSE THE LAYOUT!

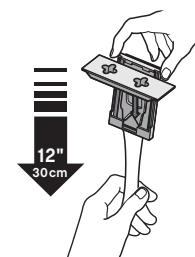
Track also hangs from right to left. Attach the yellow brackets to the wall with this side of the instructions as the template and repeat assembly as required.



Flip piece to side B for right to left assembly.

8 REATTACHING & REMOVAL

Mounting brackets are designed to break away from the set without causing surface damage. If mounting plate separates from bracket, snap bracket back into place.



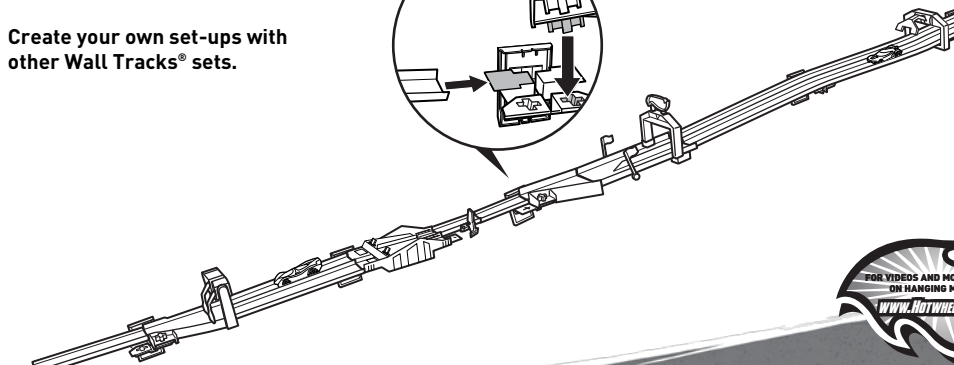
Purchase medium Command® Refill Strips to reapply to your wall.

Remove track pieces from wall prior to removing brackets.

- To remove brackets from the wall entirely:
1. NEVER pull strip towards you.
 2. Hold bracket gently to prevent it from snapping fingers. DO NOT press against wall.
 3. Grab tab on Command® Strip and SLOWLY STRETCH STRAIGHT DOWN ALONG WALL AT LEAST 12 INCHES until bracket and strip release.

CONNECT

Create your own set-ups with other Wall Tracks® sets.



Command® Strips are a product of 3M. For further information visit command.com

CAUTION: DO NOT use with wallpaper. May not adhere well to vinyl surfaces. DO NOT hang items over beds.

©2013 Mattel. All Rights Reserved. Mattel, Inc., 636 Girard Avenue, East Aurora, NY 14052, U.S.A. Consumer Relations: 1-800-824-8697. Mattel U.K. Ltd., Vanwall Business Park, Maidenhead SL6 4UB. Helpline: 01628 500303. Mattel Australia Pty. Ltd., Richmond, Victoria, 3121 Consumer Advisory Service - 1300 135 312. Mattel East Asia Ltd., Room 503-09, North Tower, World Finance Centre, Harbour City, Tsimshatsui, HK, China. Diimport & Didirikan Oleh: Mattel SEA Ptd Ltd (993532-P) Lot 13.5, 13th Floor, Menara Lien Hoe, Persiaran Tropicana Golf Country Resort, 47410 PJ, Malaysia. Tel: 03-78803817, Fax: 03-78803887.

