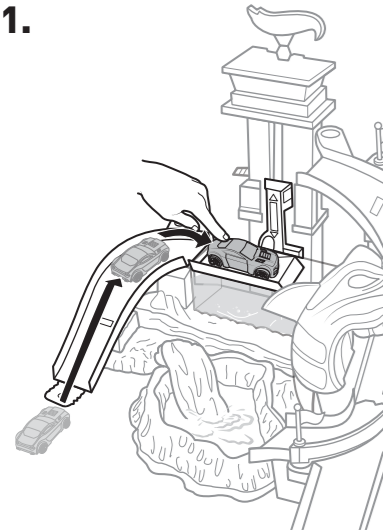
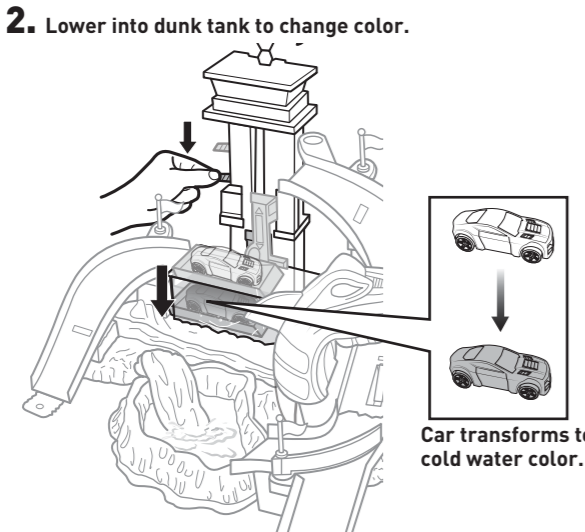
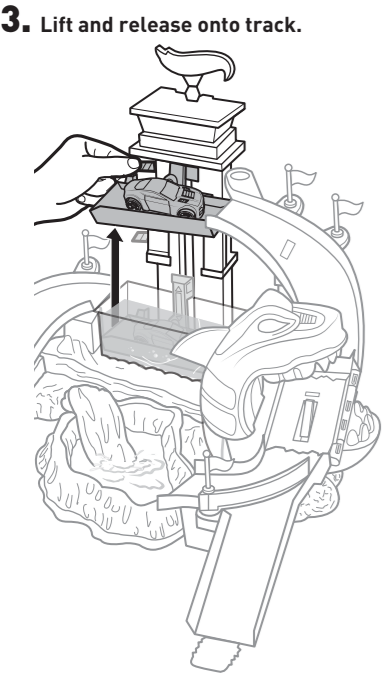
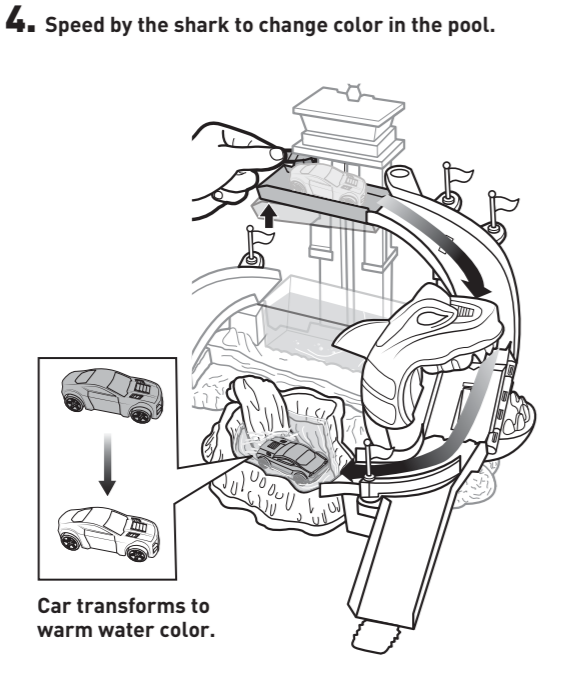


1. 

2. Lower into dunk tank to change color. 

Car transforms to cold water color.

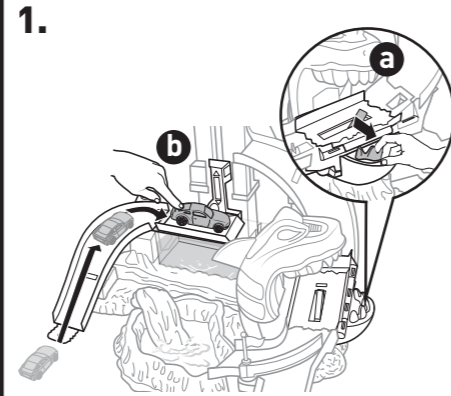
3. Lift and release onto track. 

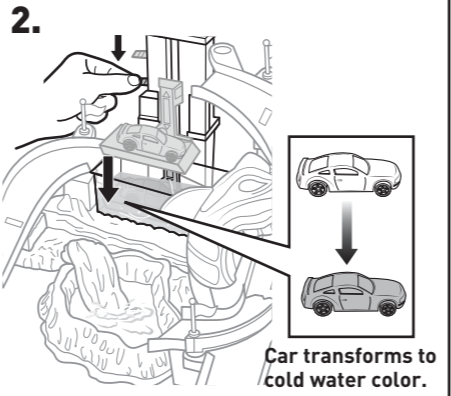
4. Speed by the shark to change color in the pool. 

Car transforms to warm water color.

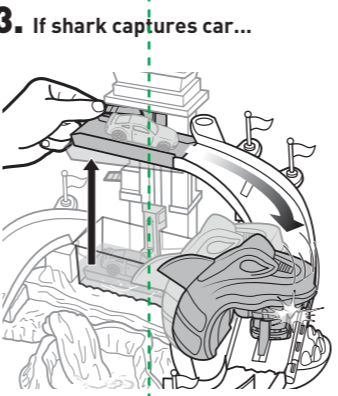
- Color change will last longer if you do not expose this toy to intense heat or direct sunlight for prolonged periods of time.
- Drain, rinse, clean and dry all items thoroughly before storing. Do not immerse set in water.

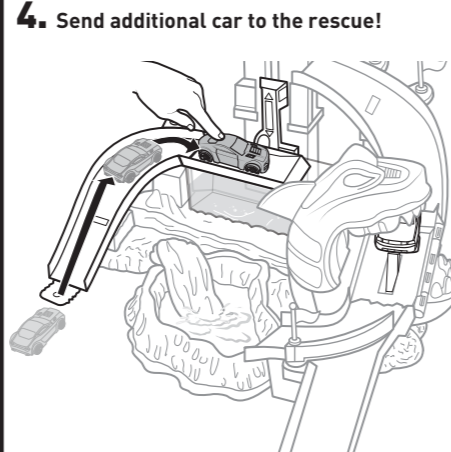
NOT FOR USE WITH SOME HOT WHEELS® VEHICLES.

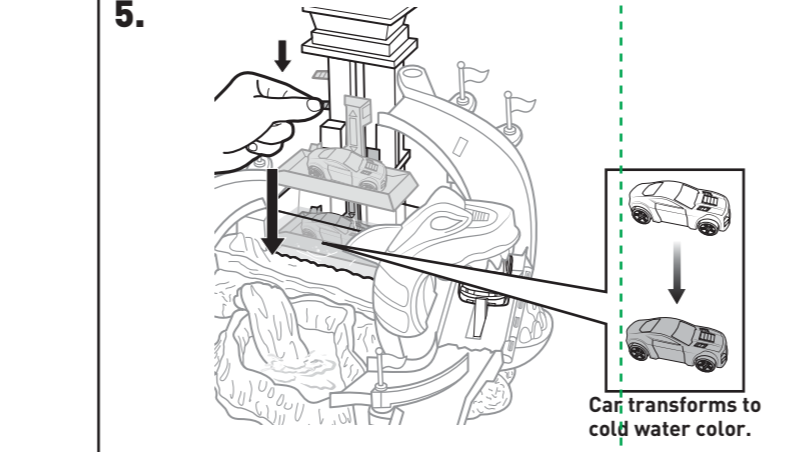
1. 

2. 

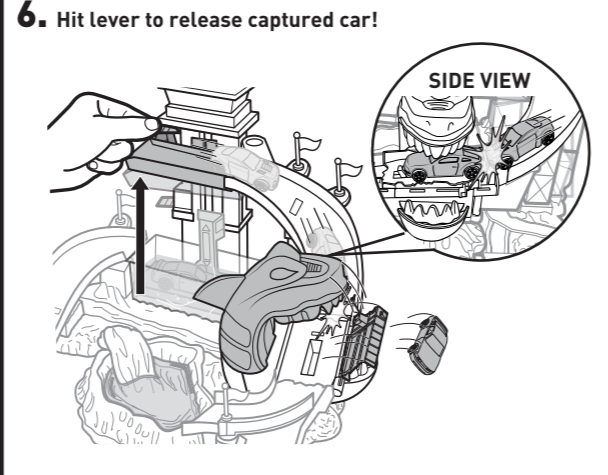
Car transforms to cold water color.

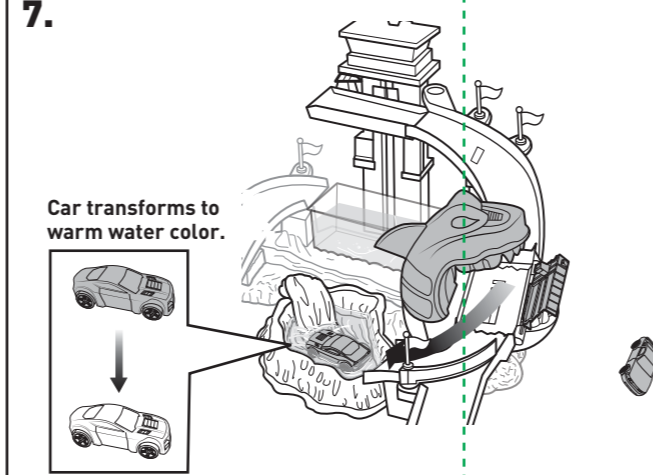
3. If shark captures car... 

4. Send additional car to the rescue! 

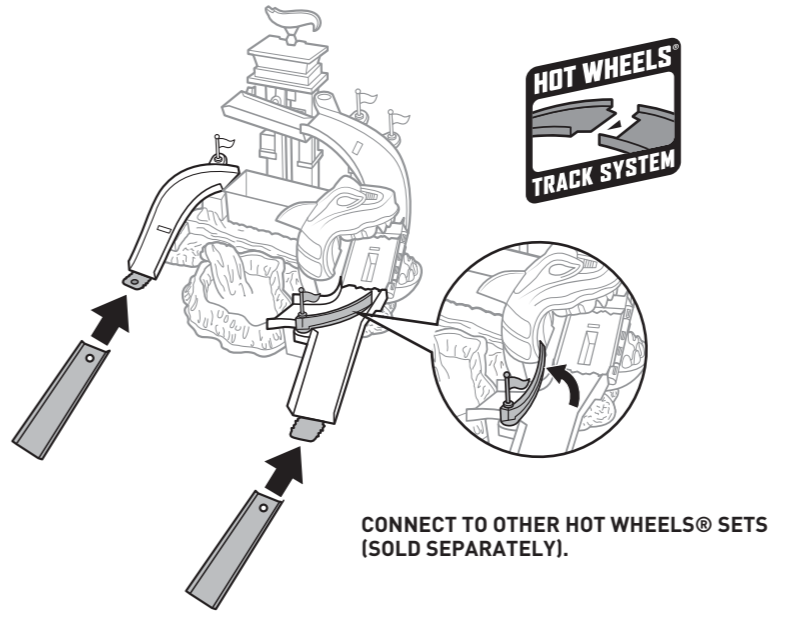
5. 

Car transforms to cold water color.

6. Hit lever to release captured car! 

7. 

Car transforms to warm water color.



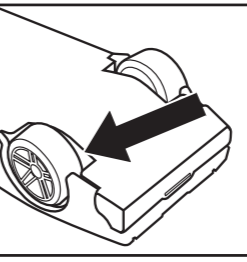
HOT WHEELS TRACK SYSTEM

CONNECT TO OTHER HOT WHEELS® SETS (SOLD SEPARATELY).

PERFORMANCE TIPS

Q. The car lift keeps jamming. Can it move more smoothly?
A. Hold the set down with your other hand and the car lift will move up and down smoothly.

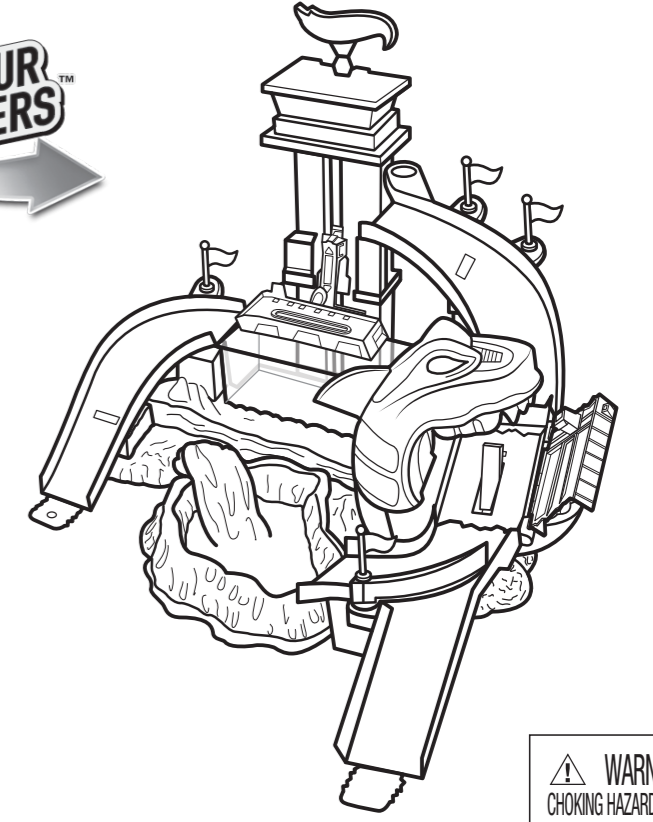
Q. My car keeps slowing down by itself on the tracks.
A. Lint may collect around your car's axles. This may cause the car to run slowly. Use tweezers or a toothpick to remove lint.



©2014 Mattel. All Rights Reserved. Mattel, Inc., 636 Girard Avenue, East Aurora, NY 14052, U.S.A. Consumer Relations 1-800-524-8697. Mattel U.K. Ltd., Vanwall Business Park, Maidenhead SL6 4UB. Helpline 01628 500303. Mattel Australia Pty. Ltd., Richmond, Victoria. 3121. Consumer Advisory Service - 1300 135 312. Mattel East Asia Ltd., Room 503-09, North Tower, World Finance Centre, Harbour City, Tsimshatsui, HK, China. Diimport & Diedarkan Oleh: Mattel SEA Ptd Ltd. (993532-P) Lot 13.5, 13th Floor, Menara Lien Hoe, Persiaran Tropicana Golf Country Resort, 47410 P.J. Malaysia. Tel:03-78803817, Fax:03-78803867.



CITY
SHARKPORT SHOWDOWN™



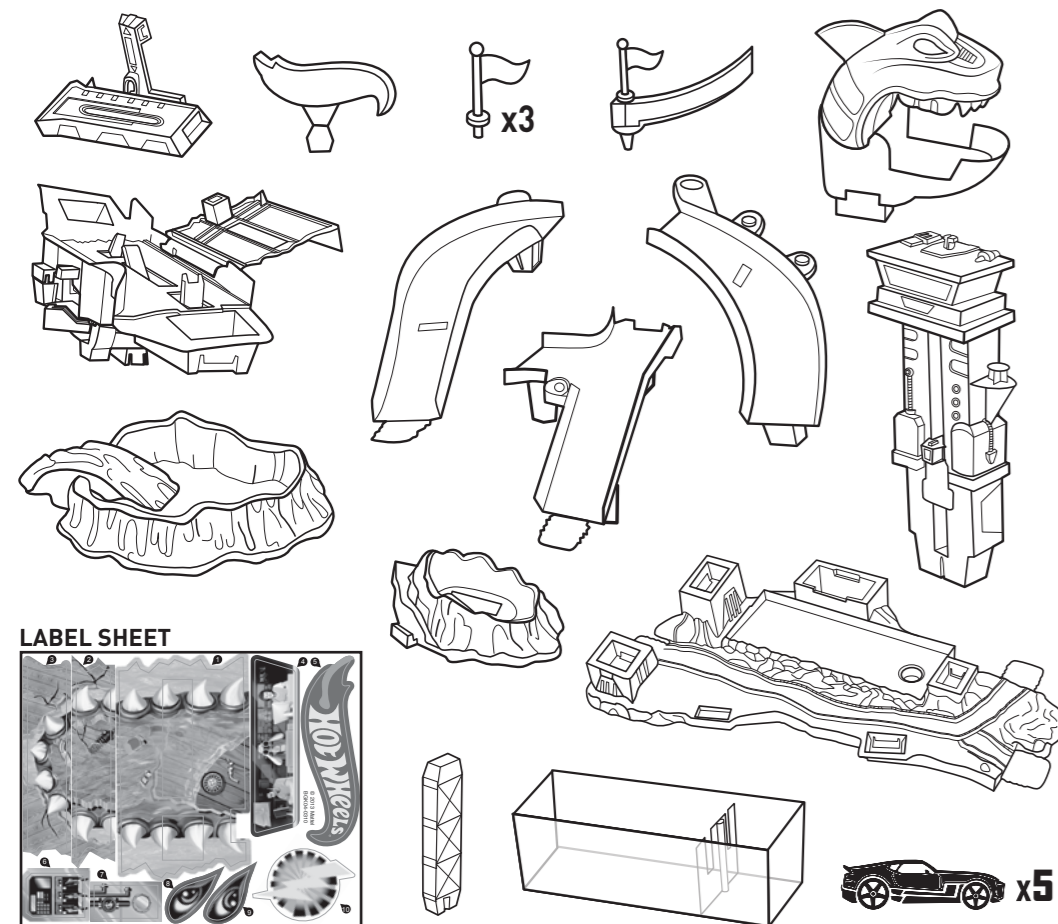
4+
 service.mattel.com
HOTWHEELS.COM

WARNING:
 CHOKING HAZARD - Small parts.
 Not for children under 3 years.



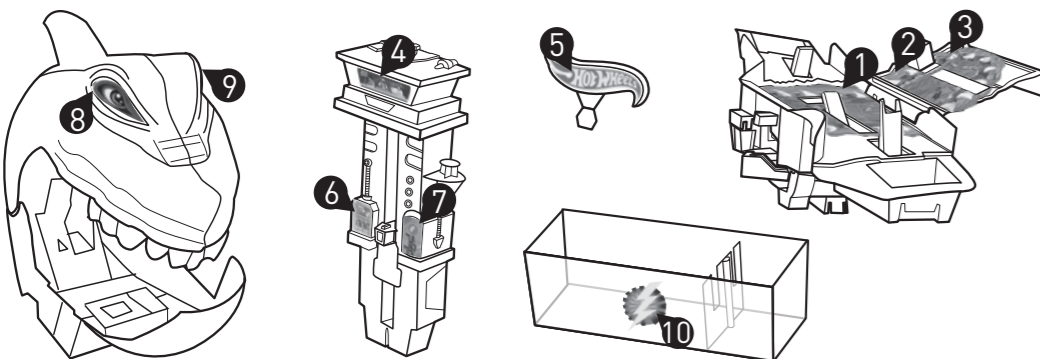
PLEASE KEEP THESE INSTRUCTIONS FOR FUTURE REFERENCE AS THEY CONTAIN IMPORTANT INFORMATION.

CONTENTS

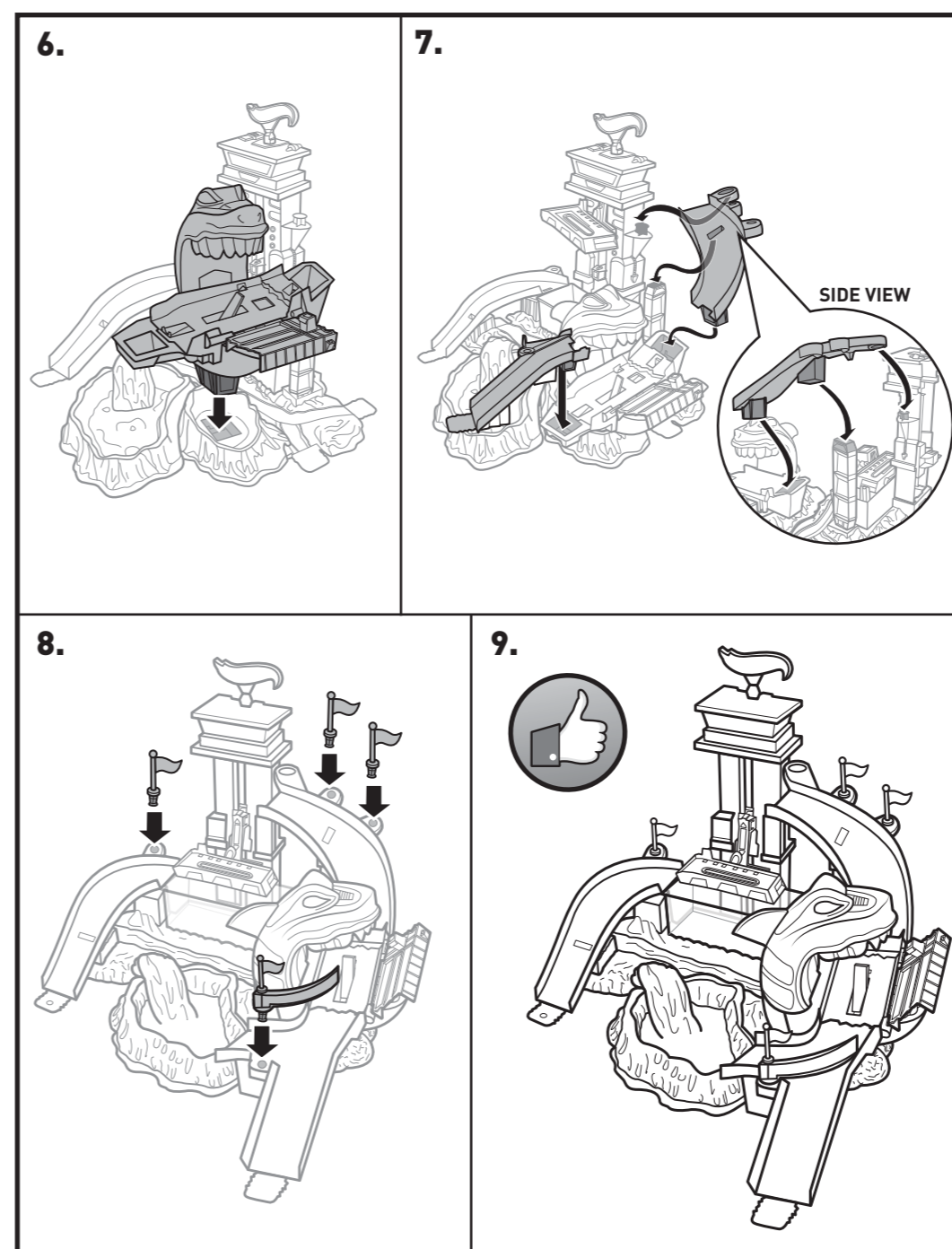
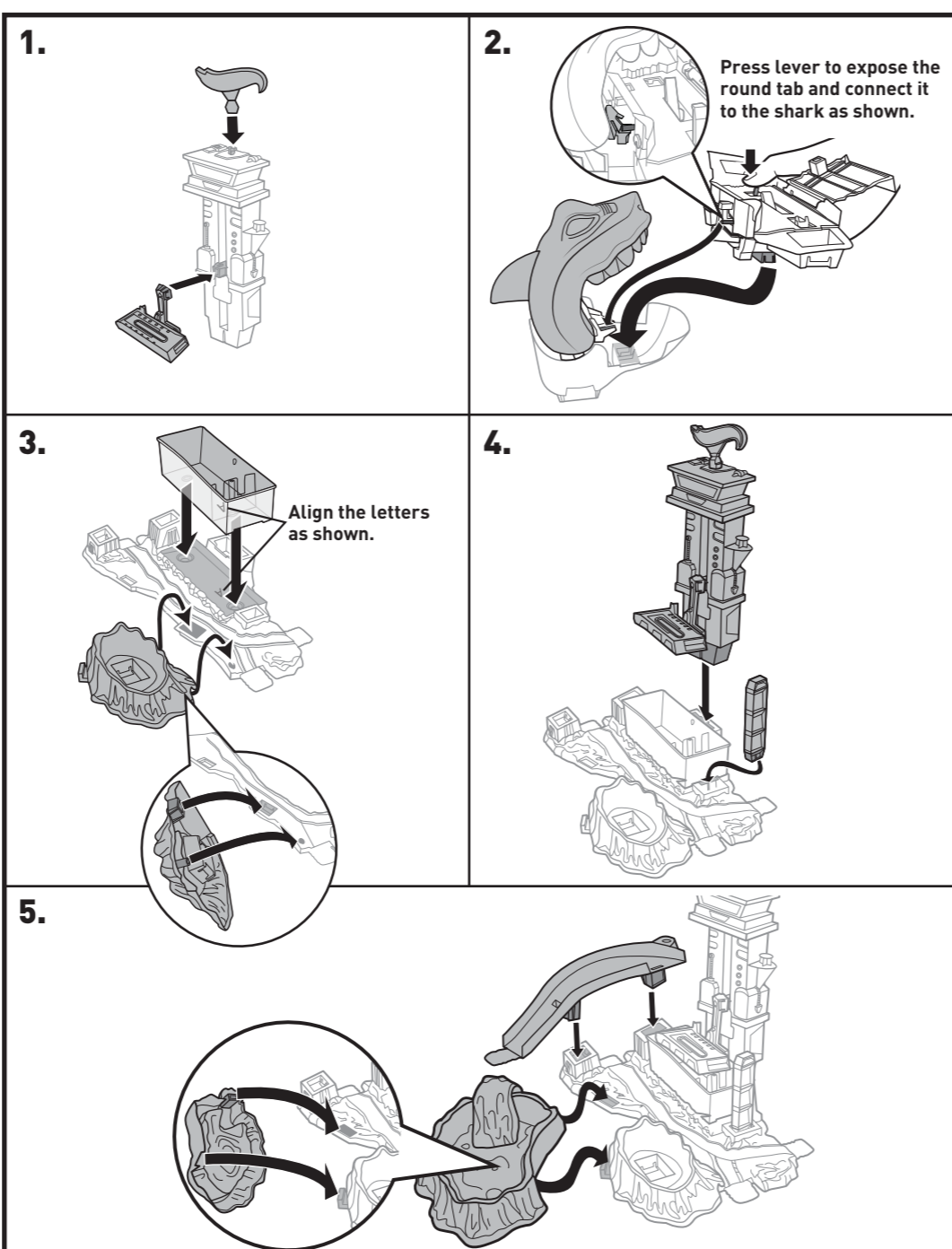


APPLY LABELS

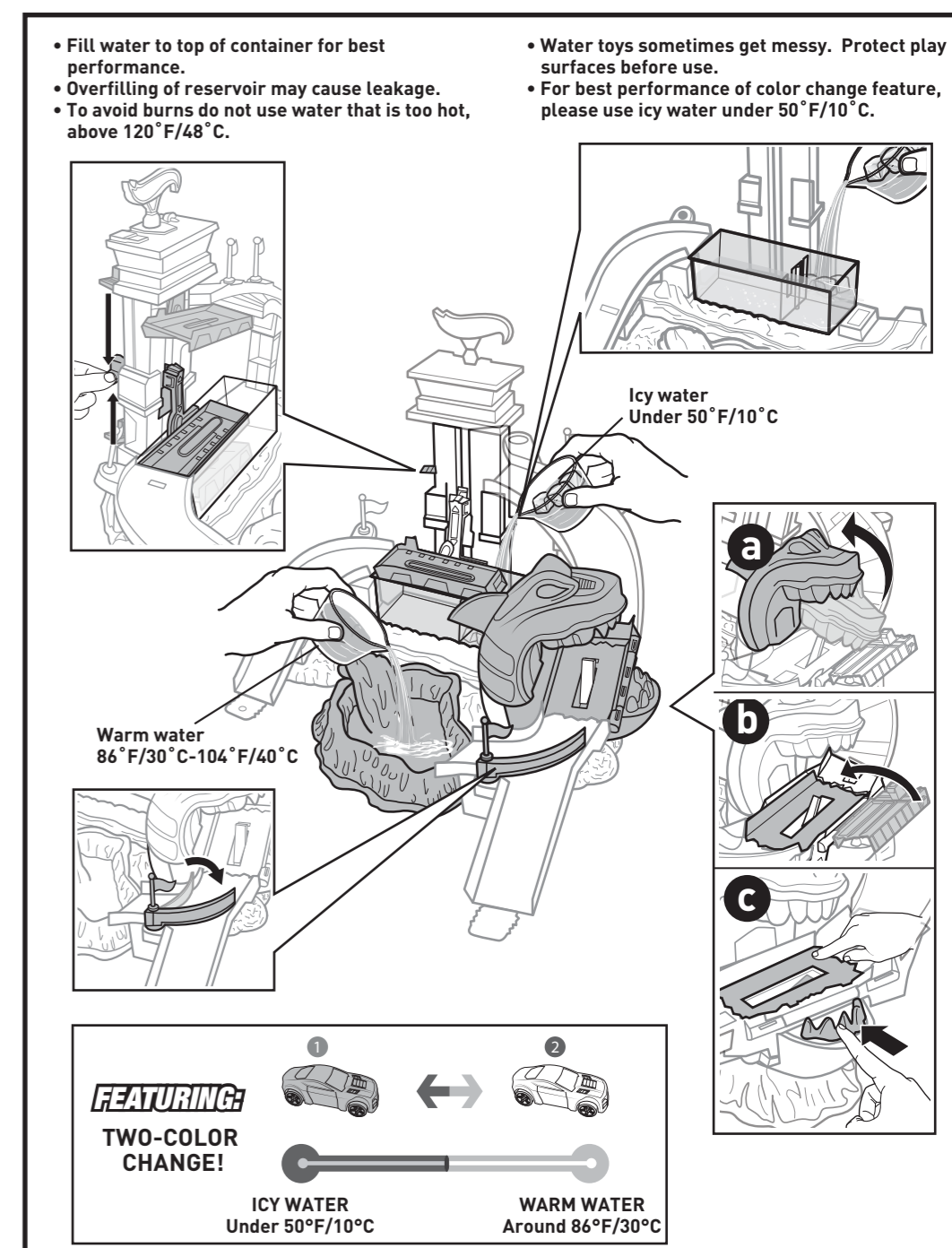
Helpful Hint: Apply labels before assembly by number as indicated.



ASSEMBLY



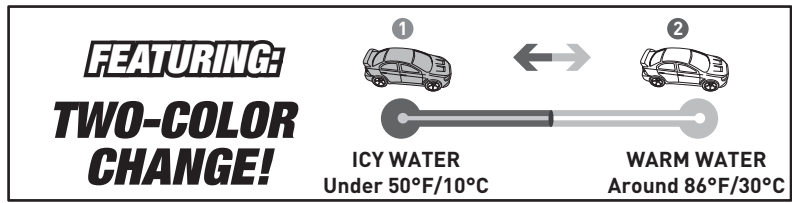
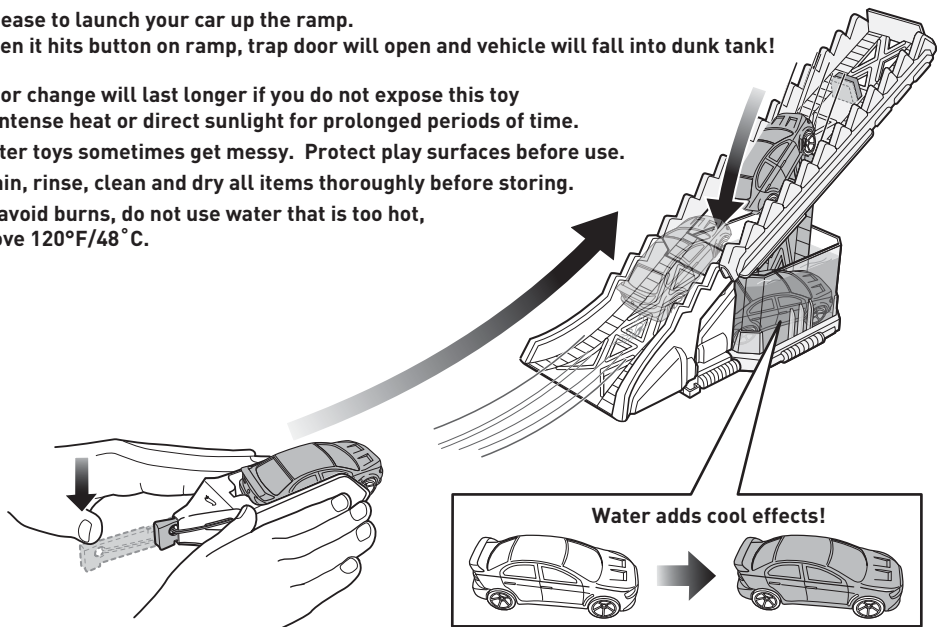
GET READY TO PLAY



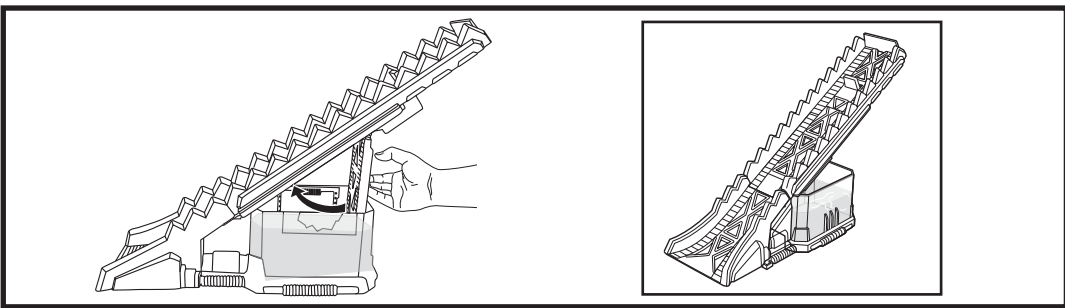
SET UP & PLAY (CONTD.)

D. Release to launch your car up the ramp.
When it hits button on ramp, trap door will open and vehicle will fall into dunk tank!

- Color change will last longer if you do not expose this toy to intense heat or direct sunlight for prolonged periods of time.
- Water toys sometimes get messy. Protect play surfaces before use.
- Drain, rinse, clean and dry all items thoroughly before storing.
- To avoid burns, do not use water that is too hot, above 120°F/48°C.



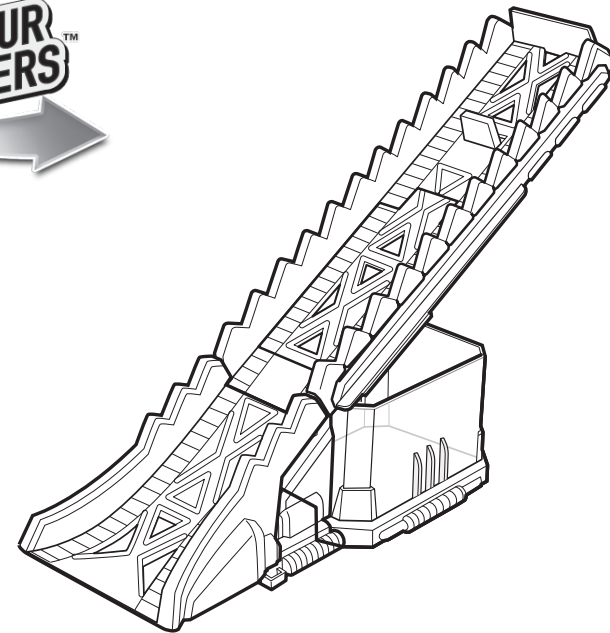
RESET



INSTRUCTIONS



CITY SPLASH & DASH™

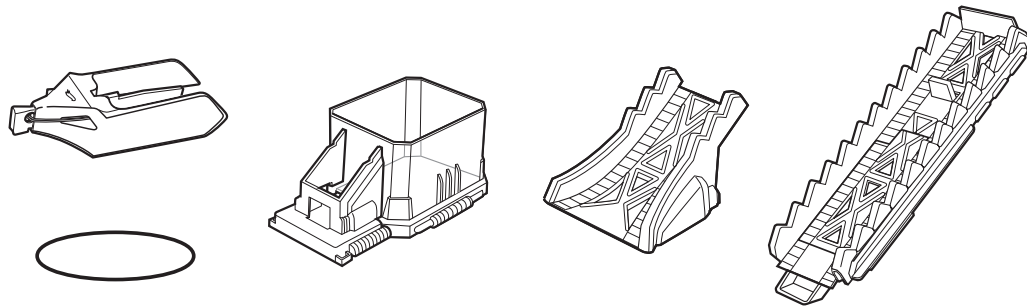


4+

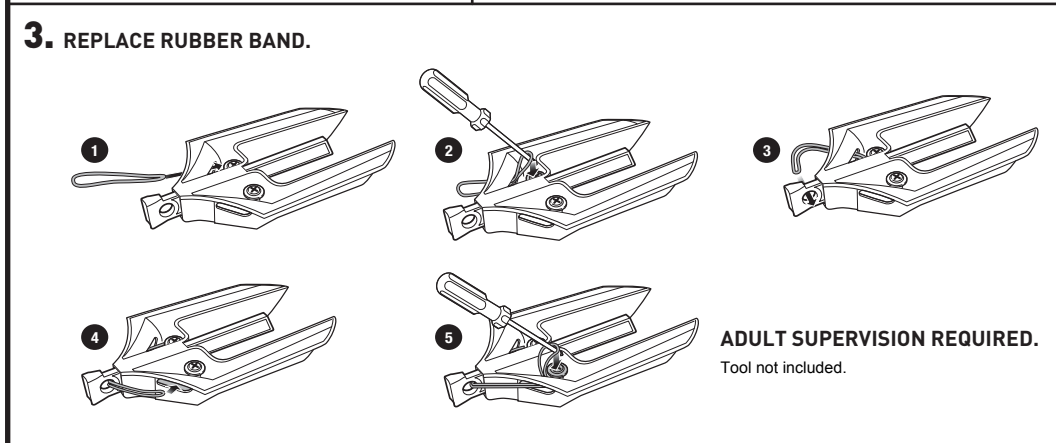
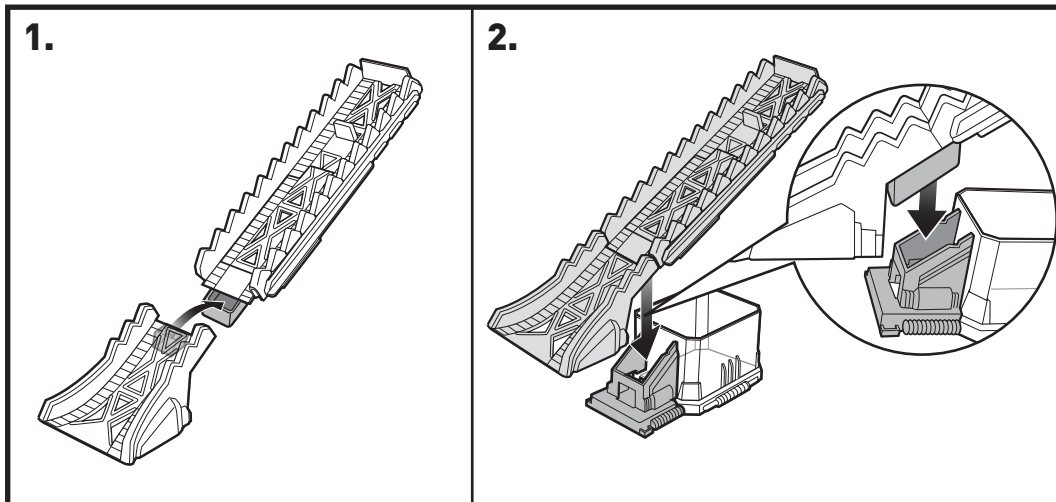
service.mattel.com
HOTWHEELS.COM



CONTENTS



ASSEMBLY



SET UP & PLAY

