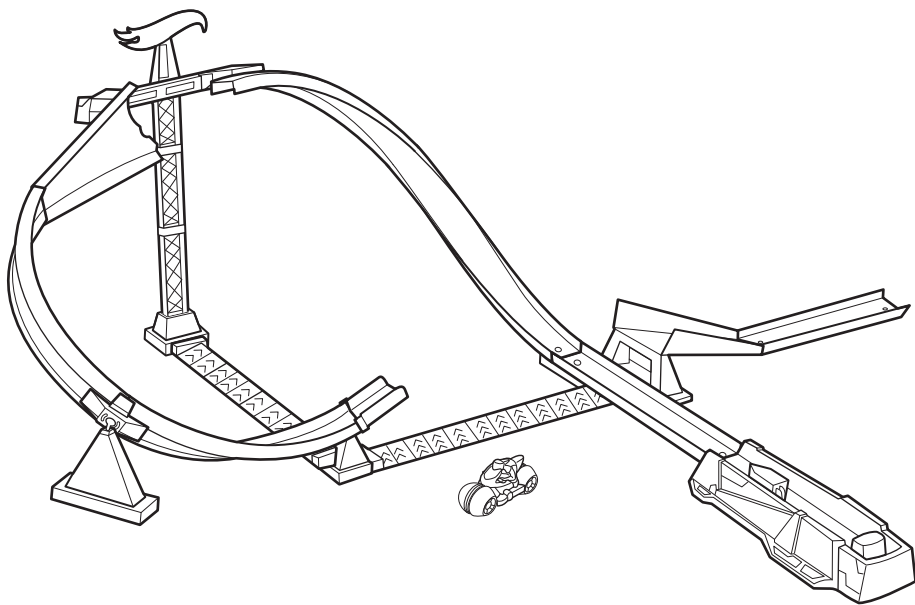


INSTRUCTIONS



MOTO TRACK STARS® HYPER LOOP EXTREME™



4+

service.mattel.com

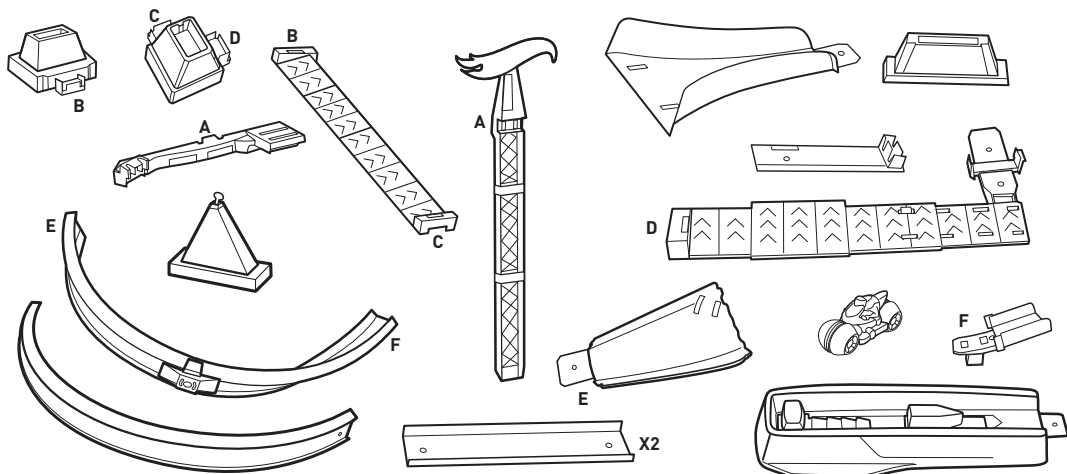
HOTWHEELS.COM



BLL35-0920G1

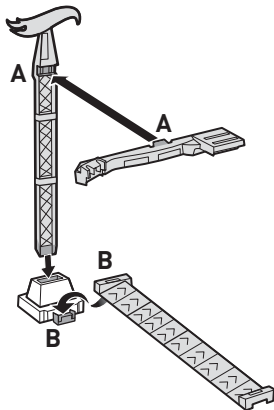
PLEASE KEEP THESE INSTRUCTIONS FOR FUTURE REFERENCE AS THEY CONTAIN IMPORTANT INFORMATION.

CONTENTS

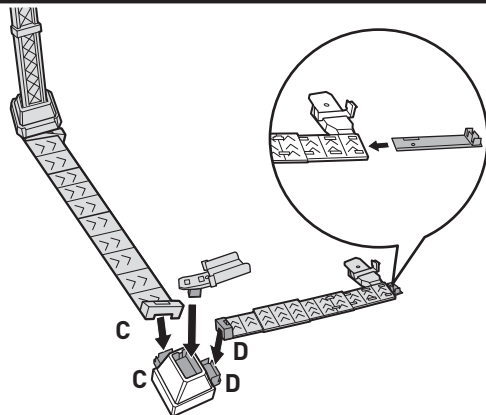


ASSEMBLY Refer to letter on toy parts and contents page to help with assembly.

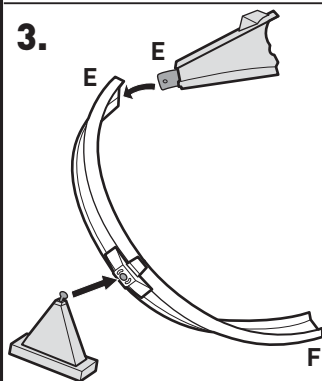
1.



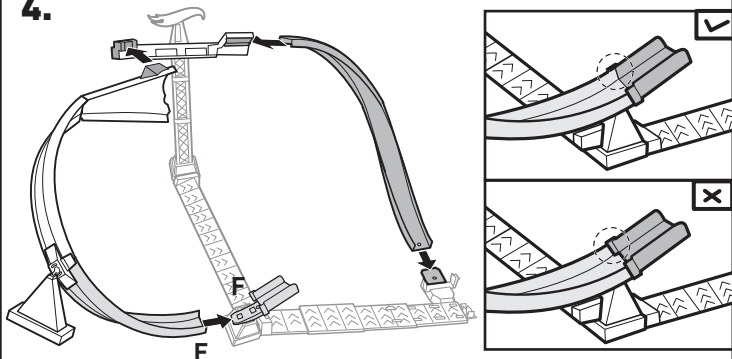
2.



3.

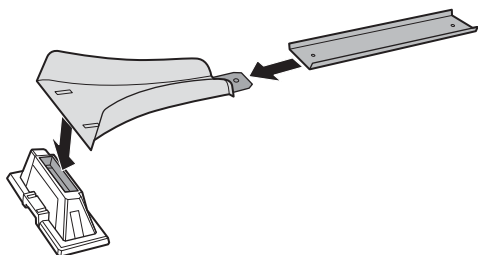


4.

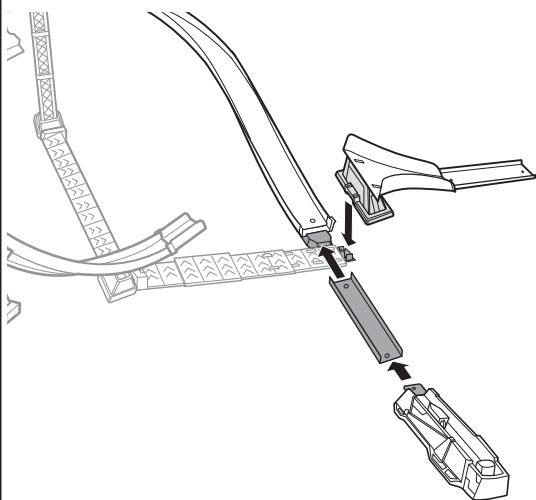


ASSEMBLY (CONTD.)

5.



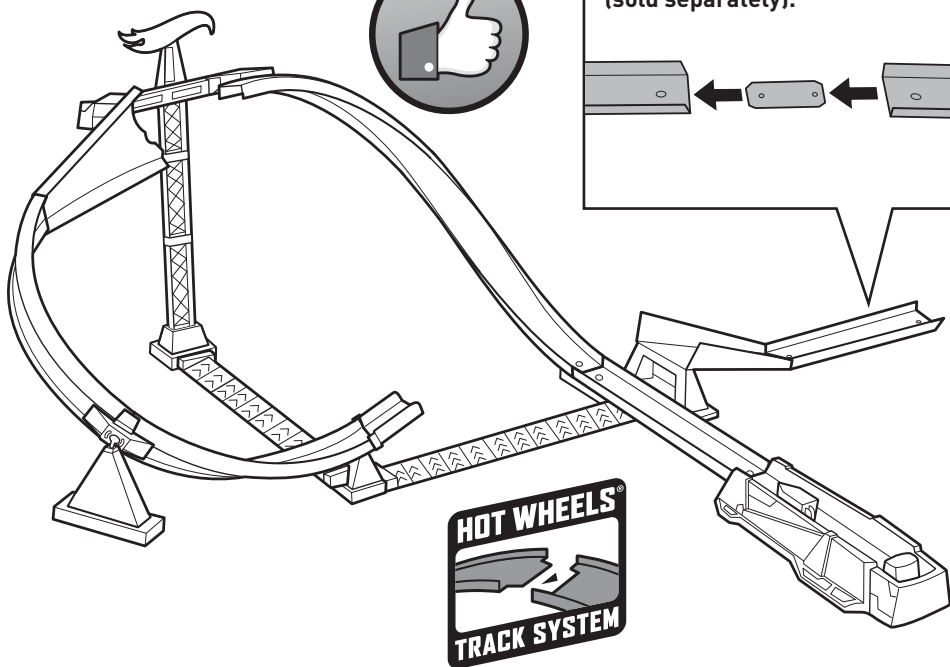
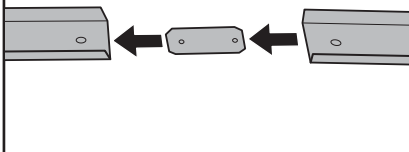
6.



7.

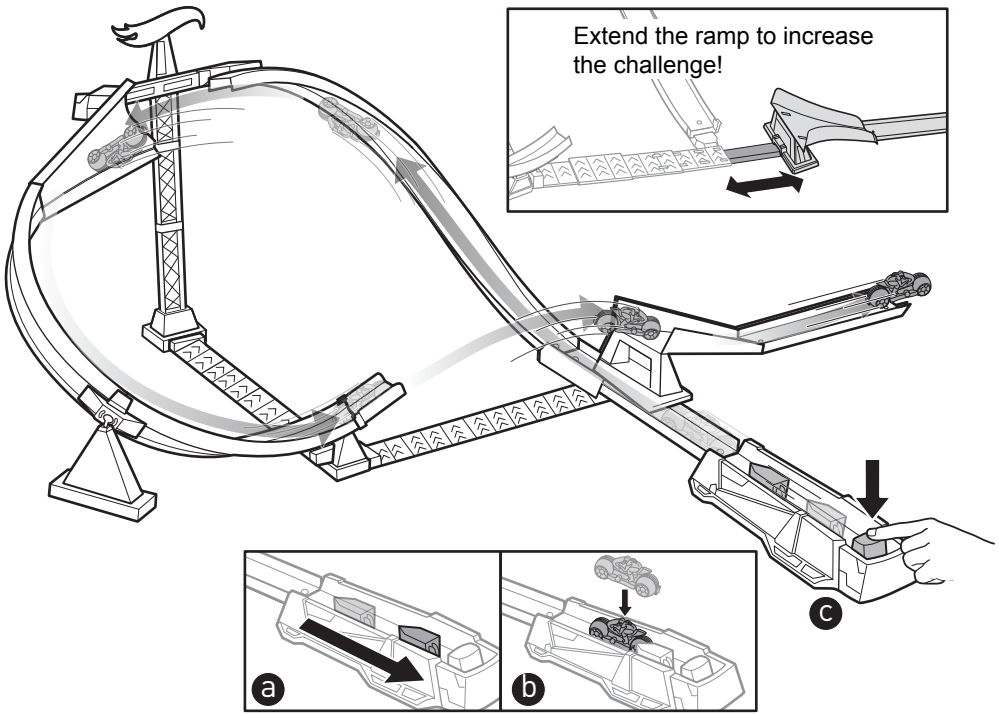


Connect to other Hot Wheels® sets (sold separately).



NOT FOR USE WITH SOME HOT WHEELS® VEHICLES.

TO PLAY



REPLACE RUBBER BAND

