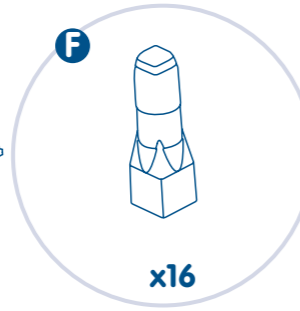
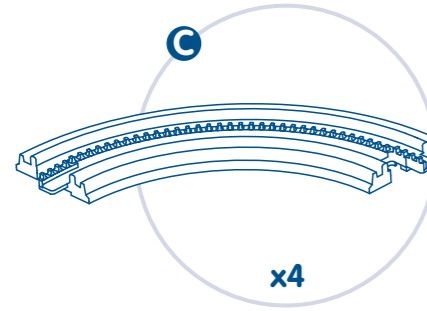
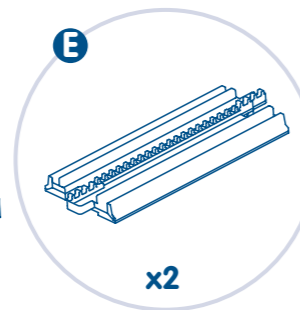
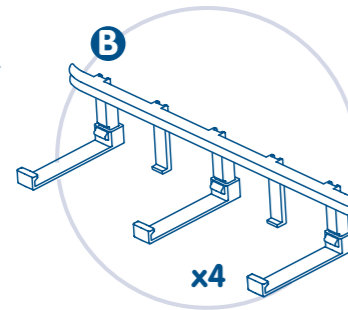
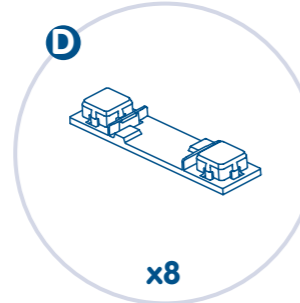
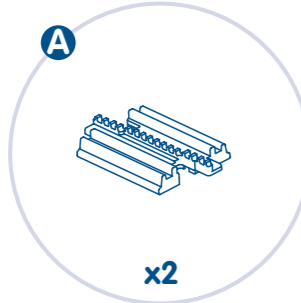


# Parts

- A. 2 Short Tracks
- B. 4 Guardrails
- C. 4 Curved Tracks
- D. 8 Support Tops
- E. 2 Straight Tracks
- F. 16 Support Columns



Please keep this instruction sheet for future reference, as it contains important information.  
Adult assembly is required.  
No tools required for assembly.



For layout ideas visit the  
**GeoTrax™** section of  
[www.fisher-price.com](http://www.fisher-price.com)

**Questions? We'd like to hear from you!**  
Call Fisher-Price® Consumer Relations, toll-free at **1-800-432-KIDS**,  
8 AM - 6 PM EST Monday through Friday. Hearing-impaired  
consumers using TTY/TDD equipment, please call 1-800-382-7470.  
Or, write to: Fisher-Price® Consumer Relations, 636 Girard Avenue  
East Aurora, New York 14052, U.S.A.

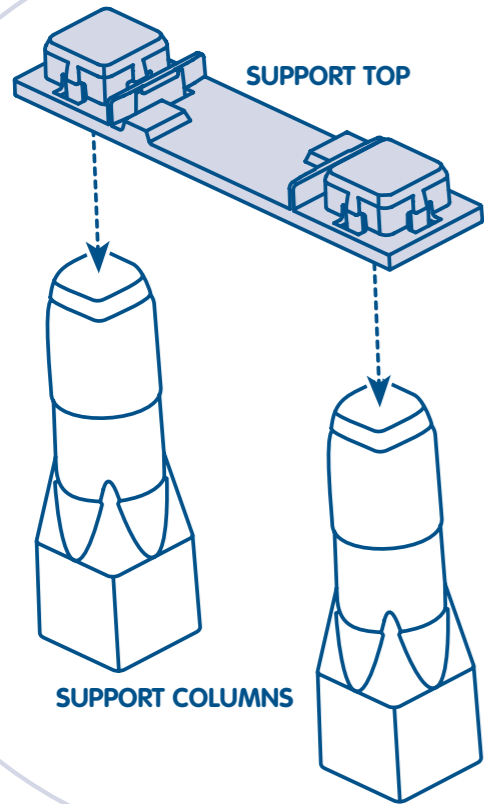
**For other countries outside the United States:**  
**Canada:** call 1-800-567-7724, or write to: Mattel Canada Inc., 6155 Freemont Blvd., Mississauga, Ontario L5R 3W2.  
**Great Britain:** telephone 01628 500302.  
**Australia:** Mattel Australia Pty. Ltd., 658 Church Street, Locked Bag #870, Richmond, Victoria 3121 Australia.  
Consumer Advisory Service 1300 135 312.  
**New Zealand:** 16-18 William Pickering Drive, Albany 1331, Auckland.  
**Asia:** Mattel East Asia Ltd, Room 1106, South Tower, World Finance Centre, Harbour City, Tsimshatsui, HK, China.



**Elevation Track Pack - Flats**

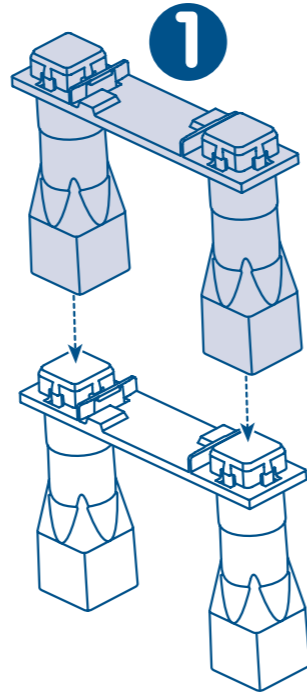


# Assembly

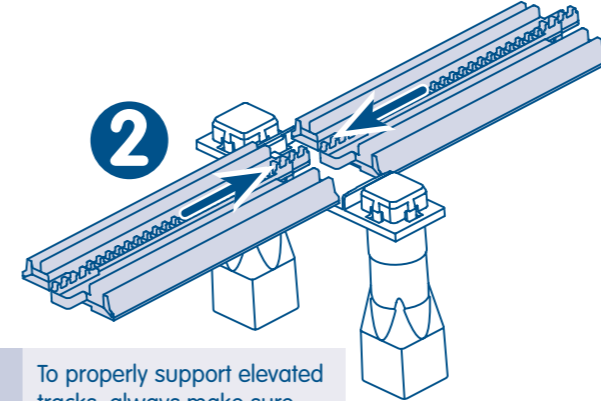


"Snap" a support top onto two support columns.

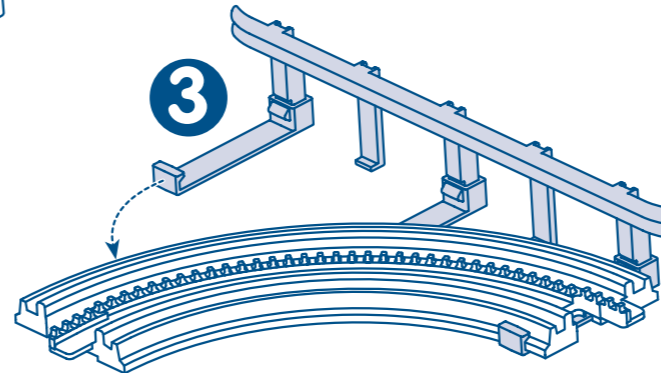
# Elevation Track Tips



You can stack up support column assemblies to make a higher track layout.



To properly support elevated tracks, always make sure you have support columns under track connections.



- When you have a curved track at the bottom of a ramp assembly, be sure to use a guardrail on the curve. This keeps the fast moving train on the track!
- To attach the guardrail, fit a tab on one end of the guardrail under the curved track, as shown.
- Bend the guardrail slightly to fit the other two tabs to the curved track.

## The more you collect, the more fun it gets!



Playsets and accessories sold separately and subject to availability. Two of each Elevation Track Packs used to make this configuration.