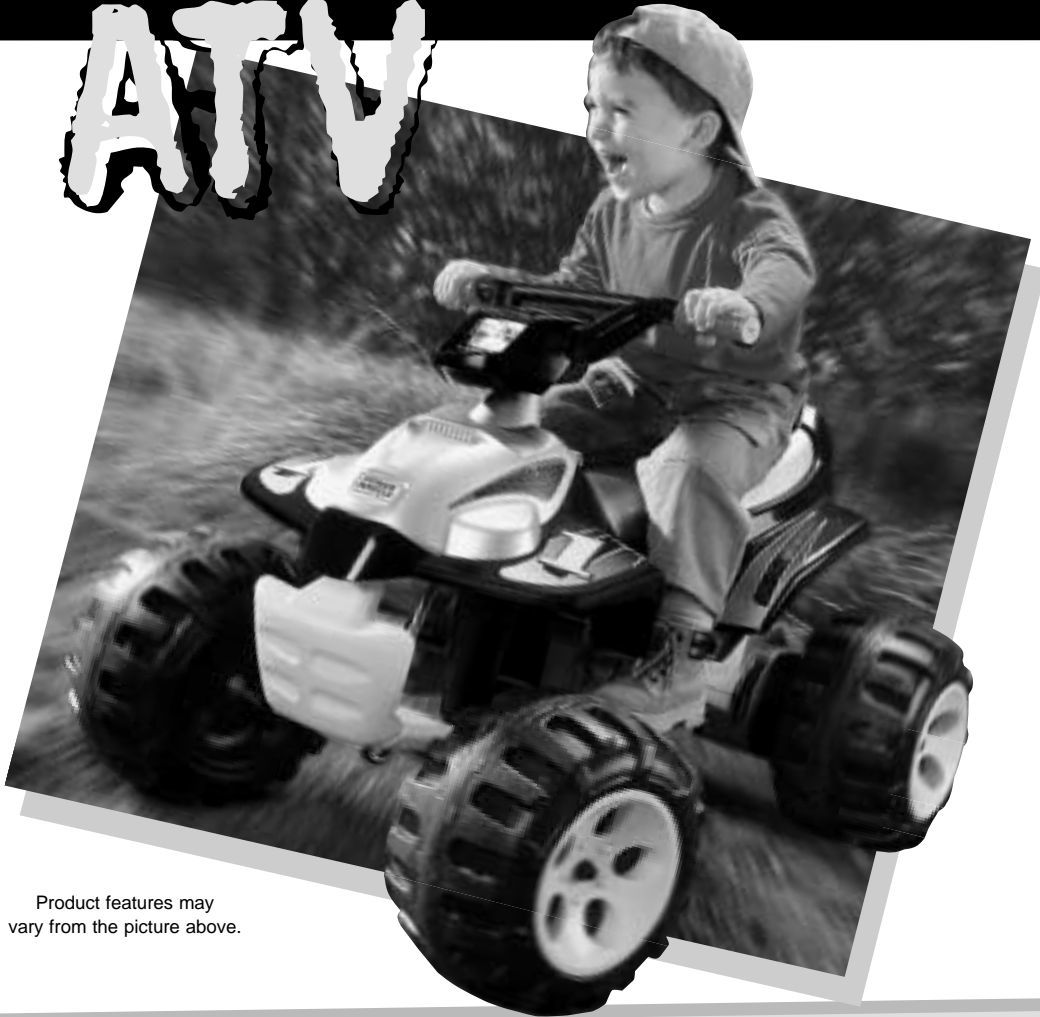


# Kawasaki®

## ATV



Product features may vary from the picture above.

**Please read this manual and save it with your original sales receipt.**

Tools needed for assembly: Phillips Screwdriver, Hammer and Pliers (all not included);  
Cap Nut Assembly Tool (included).

Use only with a Power Wheels® 12 Volt Battery with Built-in Thermal Fuse  
and a Power Wheels® 12 Volt Charger (both included).

Kawasaki® is a U.S. trademark owned by and used under license from Kawasaki Motors Corp., U.S.A. Kawasaki Motors Corp., U.S.A. All Rights Reserved.  
This product is neither manufactured nor distributed by Kawasaki Motors Corp., U.S.A. Consumer inquiries should be directed to: Power Wheels by Fisher-Price®.  
Fisher-Price, Power Wheels, Power Wheels by Fisher-Price and Power Lock are U.S. trademarks of Mattel, Inc.

[www.powerwheels.com](http://www.powerwheels.com)



## Owner's Manual with Assembly Instructions

For Model C7478

# Table of Contents

<b>A</b>	Important Information	.2
<b>B</b>	Warnings and Caution	.3
<b>C</b>	Parts	.4
<b>D</b>	Parts Diagram	.6
<b>E</b>	Battery Charging	.7
<b>F</b>	Assembly	.9
<b>G</b>	Label Decoration	.15
<b>H</b>	Battery Installation	.16
<b>I</b>	Battery Care and Disposal	.17
<b>J</b>	Caring For Your Vehicle	.17
<b>K</b>	Rules For Safe Driving	.18
<b>L</b>	How to Operate Your Vehicle	.19
<b>M</b>	Statement of Limited Warranty	.20
<b>N</b>	Problems and Solutions Guide	.21



## Important Information

- Your new vehicle requires adult assembly. Please set aside at least 45 minutes for assembly.
- You must charge your battery for 18 - 30 hours **before you use your vehicle for the first time**. We recommend that you start charging your battery before beginning assembly. Please see Battery Charging beginning on page 7 for detailed instructions.
- Read this manual carefully for important safety information and operating instructions before using your vehicle.
- This vehicle is designed for use on: grass, asphalt and other hard surfaces; on generally level terrain; and by children 3 years of age.
- Use this vehicle **ONLY** outdoors. Most interior flooring can be damaged by riding this vehicle indoors. Fisher-Price® will not be responsible for damage to floors if this vehicle is used indoors.
- Make sure children know and follow these rules for safe driving and riding:
  - always sit on the seat.
  - always wear shoes.
  - only 1 (one) rider at a time.
- To prevent damaging the motors and gears, teach your child to stop the vehicle before switching between forward and reverse. Do not tow anything behind the vehicle or overload it. Do not exceed the maximum weight capacity of 65 lbs (29.5 kg).
- For safety reasons, your vehicle has been pre-set so that it will operate at low speed. **You must disconnect the high speed lock-out to allow operation of the vehicle at high speed.** Please see page 19 for detailed instructions.
- If you have any questions about your Power Wheels® vehicle, please call our toll-free service lines at **1-800-348-0751** from 8 AM to 6 PM (EST) Monday through Friday. Trained customer service representatives are available to take your call in English or French. Habla Español? Si usted tiene alguna pregunta ó necesita asistencia llame gratis **1-800-348-0755** para los Estados Unidos. Tenemos representantes que hablan español para atender su llamada.
- For your convenience, Power Wheels® maintains an **independently owned and operated** Authorized Service Center Network with more than 400 authorized service centers nationwide. The authorized service centers will repair or replace parts under warranty at no extra charge, and can perform non-warranty repairs for a minimal charge. To find the authorized service center nearest to you, visit us on-line at **www.powerwheels.com** or call **1-800-348-0751**.
- If you would like to register your vehicle, please visit us on-line at **www.powerwheels.com**.

# B

## Warnings and Caution

### ELECTRICAL HAZARD

#### WARNING

- Battery can fall out and injure a child if vehicle tips over. Always use battery clamp.
- **PREVENT FIRE**
  - Never modify the electrical system. Alterations could cause a fire resulting in serious injury and could also ruin the electrical system.
  - Use of the wrong type battery or charger could cause a fire or explosion resulting in serious injury.
  - Use of Power Wheels® components in products other than Power Wheels® vehicles could cause overheating, fire or explosion.
- The battery must be handled by adults only. The battery is heavy and contains sulfuric acid (electrolyte). Dropping the battery could result in serious injury.
- Never allow children to charge the battery. Battery charging must be done by adults only. A child could be injured by the electricity involved in charging the battery.
- Read the safety instructions on the battery.
- Examine the battery, charger and their connectors for excessive wear or damage each time you charge the battery. If damage or excessive wear is detected, do not use the charger or the battery until you have replaced the worn or damaged part.
- **HOT** motors. Handle carefully.

### RIDING HAZARD

#### WARNING

- **Prevent Injuries and Deaths**
  - Direct Adult Supervision Required
  - Keep Children Within Safe Riding Areas.  
These areas must be:
    - away from swimming pools and other bodies of water to prevent drownings
    - generally level to prevent tipovers
    - away from steps and steep inclines, cars, roads and alleys.

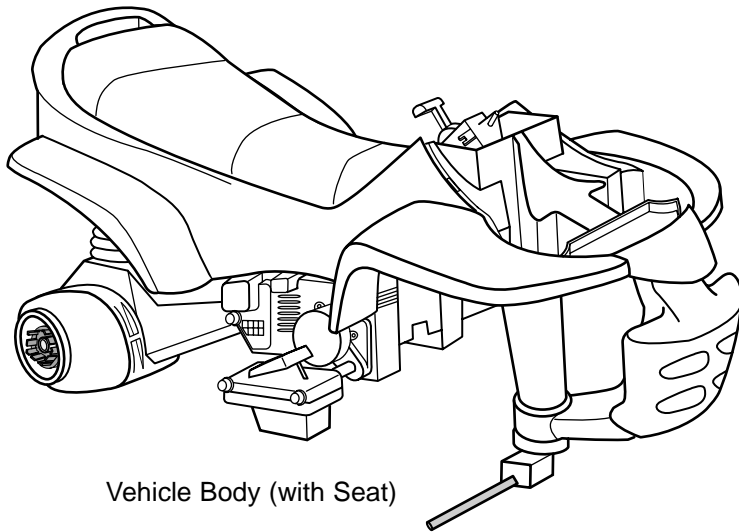
#### CAUTION

- In the unassembled state, this package contains small parts. Adult assembly is required.
- Use the charger in dry locations only.

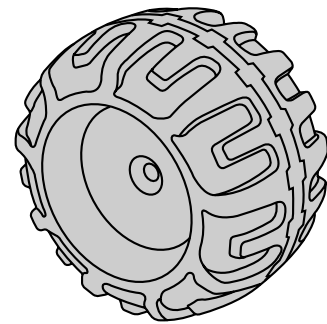
# C

## Parts

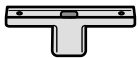
- If you experience a problem with this product, or are missing a part, please call us at **1-800-348-0751**, rather than return this product to the store.
- Please identify all parts before assembly and save all packaging material until assembly is complete to ensure that no parts are discarded.
- Some parts were placed under the seat for shipment. Press the tab under the back of the seat and lift to access the battery compartment.
- Metal parts have been coated with a lubricant to protect them during shipment. Wipe all metal parts with a paper towel to remove any excess lubricant.



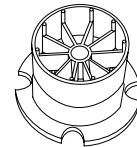
Vehicle Body (with Seat)



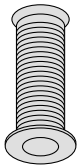
Wheel - 4



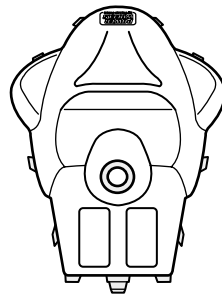
Handlebar Neck



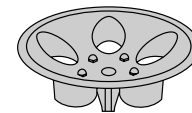
Rear Wheel Driver - 2



Grip - 2



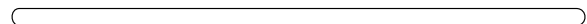
Cowling



Hubcap - 4



Steering Column



Rear Axle

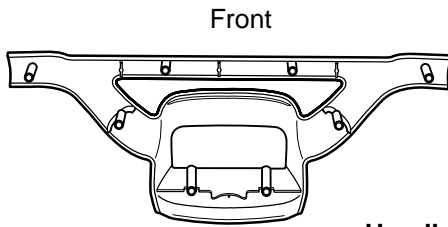
# Parts



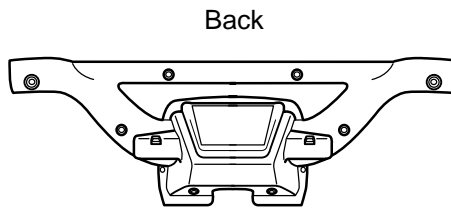
Handlebar



Steering Bushing

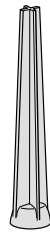


Front



Back

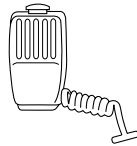
Handlebar Assembly



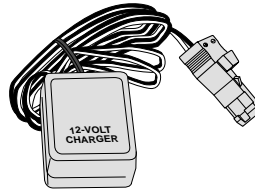
Cap Nut Assembly Tool



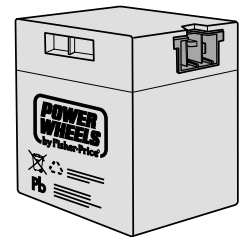
Round Bushing - 2



Microphone



12 Volt Charger

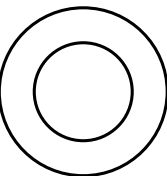
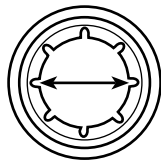


12 Volt Battery

**Part Not Shown:** Label Sheet



.437 Cap Nut - 6



$\frac{7}{16}$ " Washer - 4



#6 x 1" Screw - 6



#6 x  $\frac{1}{2}$ " Screw - 2



#10 - 32 Lock Nut - 2



#10 x  $1\frac{5}{8}$ " Screw - 2

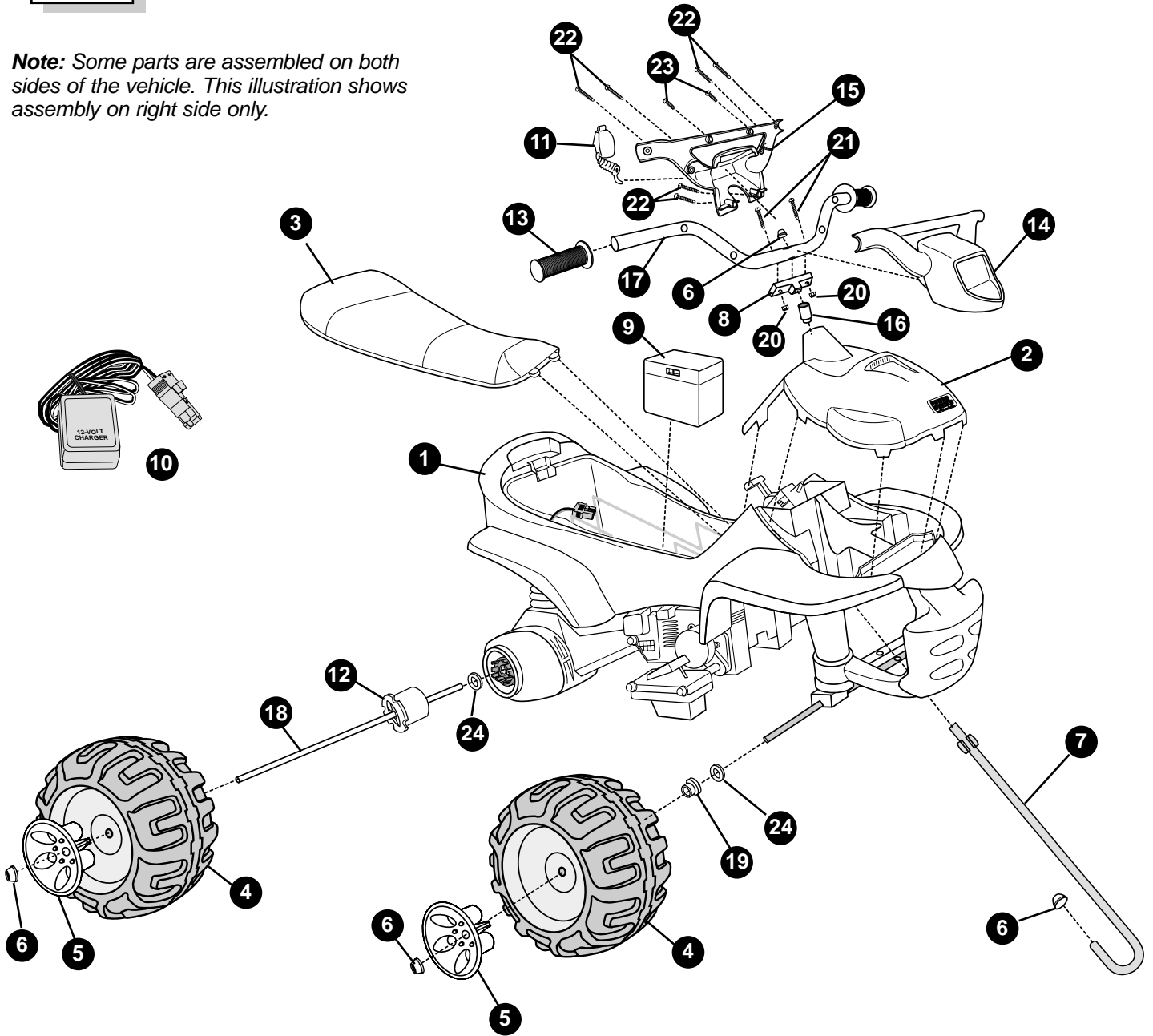
**All Shown Actual Size**

**\* For your convenience, extra fasteners are included!**

# D

## Parts Diagram

**Note:** Some parts are assembled on both sides of the vehicle. This illustration shows assembly on right side only.



- |                     |                           |   |
|---------------------|---------------------------|---|
| 1. Vehicle Body     | 11. Microphone            | 21. #10 x 1 <sup>5</sup> / <sub>8</sub> " Screw - 2 |
| 2. Cowling          | 12. Rear Wheel Driver - 2 | 22. #6 x 1" Screw - 6                               |
| 3. Seat             | 13. Grip - 2              | 23. #6 x 1/2" Screw - 2                             |
| 4. Wheel - 4        | 14. Handlebar - Front     | 24. 7/16" Washer - 4                                |
| 5. Hubcap - 4       | 15. Handlebar - Back      | <b>Not Shown</b>                                    |
| 6. Cap Nut - 6      | 16. Steering Bushing      | Label Sheet   |
| 7. Steering Column  | 17. Handlebar             |   |
| 8. Handlebar Neck   | 18. Rear Axle             |   |
| 9. 12 Volt Battery  | 19. Round Bushing - 2     |   |
| 10. 12 Volt Charger | 20. #10 - 32 Lock Nut - 2 |   |

**ELECTRICAL HAZARD** **WARNING**

- Battery can fall out and injure a child if vehicle tips over. Always use battery clamp.
- **PREVENT FIRE**
  - Never modify the electrical system. Alterations could cause a fire resulting in serious injury and could also ruin the electrical system.
  - Use of the wrong type battery or charger could cause a fire or explosion resulting in serious injury.
  - Use of Power Wheels® components in products other than Power Wheels® vehicles could cause overheating, fire or explosion.
- The battery must be handled by adults only. The battery is heavy and contains sulfuric acid (electrolyte). Dropping the battery could result in serious injury.
- Never allow children to charge the battery. Battery charging must be done by adults only. A child could be injured by the electricity involved in charging the battery.
- Read the safety instructions on the battery.
- Examine the battery, charger and their connectors for excessive wear or damage each time you charge the battery. If damage or excessive wear is detected, do not use the charger or the battery until you have replaced the worn or damaged part.

 **CAUTION**

Use the charger in dry locations only.

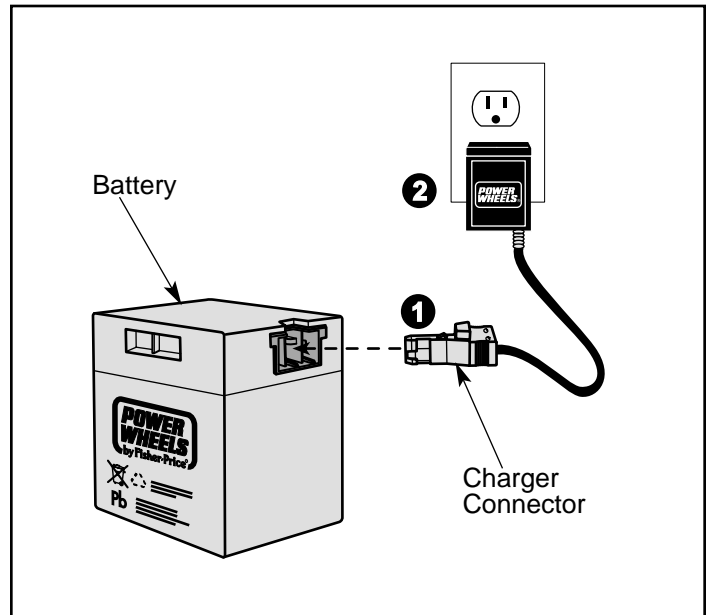
**About Thermal Fuses**

Your Power Wheels® 12 volt battery is equipped with a built-in thermal fuse. The thermal fuse is a self-resetting safety device which automatically “trips” and shuts down operation of the vehicle if the vehicle is overloaded or the driving conditions too severe. Once a fuse has “tripped”, it will automatically reset itself after approximately 25 seconds and allow the vehicle to resume normal operations. To avoid repeated automatic shutdowns, do not overload the vehicle by exceeding the 65 lbs. (30 kg) maximum weight capacity or by towing anything behind the vehicle. Avoid severe driving conditions, such as driving up very steep slopes or running into fixed objects, which can cause the wheels to stop spinning while power is still being supplied to the motors. Make sure your child stops the vehicle before switching speeds or direction.

# Battery Charging

## Important Notes

- Your new battery must be charged for at least **18 hours** before you use it in your vehicle for the first time.
- We recommend that you start charging your battery before beginning assembly of your new vehicle.
- You do not need to remove the battery from your vehicle to recharge it.
- The battery must be upright while charging.
- The charger is not a toy.
- Do not short circuit the battery.
- Before charging the battery, examine the battery case for cracks and other damage which may cause sulfuric acid (electrolyte) to leak during the charging process. If damage is detected, do not charge the battery or use it in your vehicle. Battery acid is very corrosive and can cause severe damage to surfaces it contacts.
- Do not charge the battery on a surface (such as kitchen counter tops) which could be damaged by the acid contained inside the battery. Take precautions to protect the surface on which you charge your battery.
- Use only a Power Wheels® 12 volt charger with type "12V" connector (120 VAC 60 Hz 28W with an output of 12 VDC 1200mA) to charge your Power Wheels® rechargeable 12 volt battery.
- If your battery is old and will not accept a charge, do not leave it in the vehicle. Always remove a dead battery from the vehicle.



- Plug the charger connector into the battery **1**.
- Plug the charger into a standard 120 volt wall outlet **2**.

**Note:** If power flow to the wall outlet is controlled by a switch, make sure the switch is "ON".

- Before first-time use, charge the battery for **at least 18 hours**. Never charge the battery longer than 30 hours.
- Recharge the battery for at least 14 hours after each use of your vehicle. Do not charge the battery longer than 30 hours.
- Once the battery is charged, pull firmly on the charger connector to disconnect it from the battery. Unplug the charger from the wall outlet. The battery is now ready to be installed in your vehicle. Please see the Battery Installation section on page 16 for detailed instructions on installing your battery. If your battery is already installed in your vehicle, simply re-connect the motor harness connector to the battery.

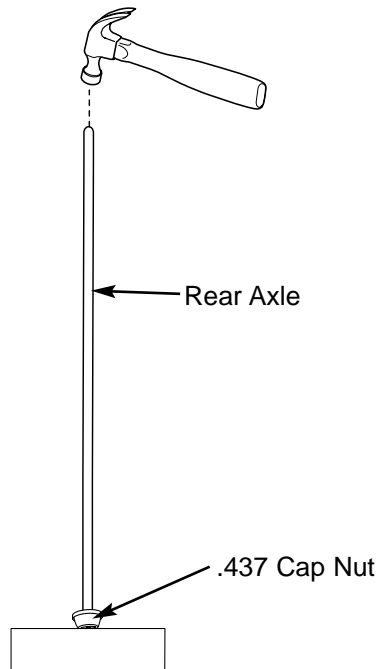
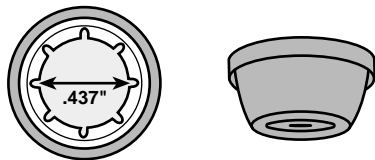


## ! WARNING

Children can be harmed by small parts, sharp edges and sharp points in the vehicle's unassembled state, or by electrical items. Care should be taken in unpacking and assembly of the vehicle. Children should not handle parts, including the battery, or help in assembly of the vehicle.

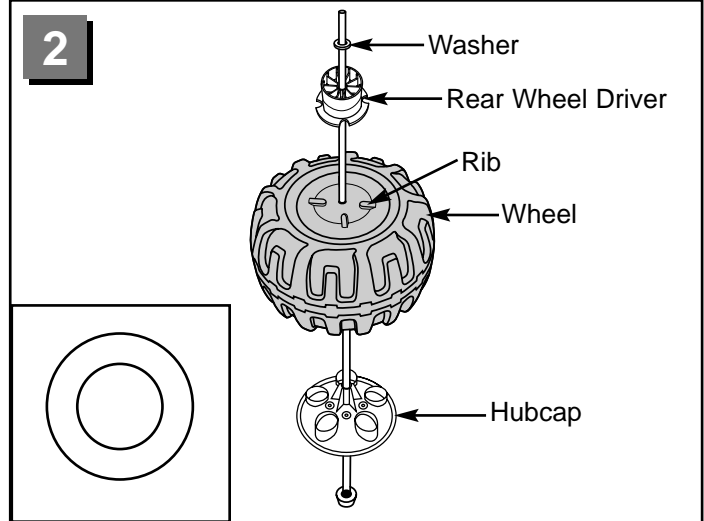
### 1

.437 Cap Nut



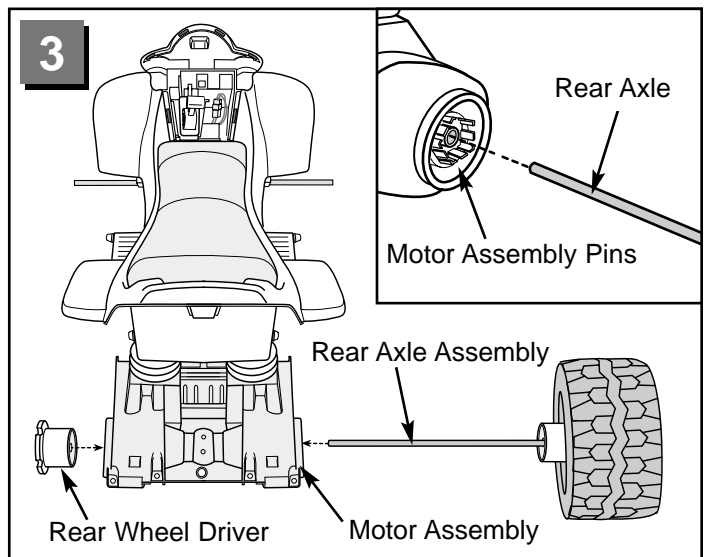
- Fit a .437 cap nut onto one end of the rear axle.
  - Tap the other end of the rear axle with a hammer to secure the cap nut on the end of the rear axle.
- Hint:** You may want to position the cap nut on a scrap block of wood to protect the assembly surface.

### 2



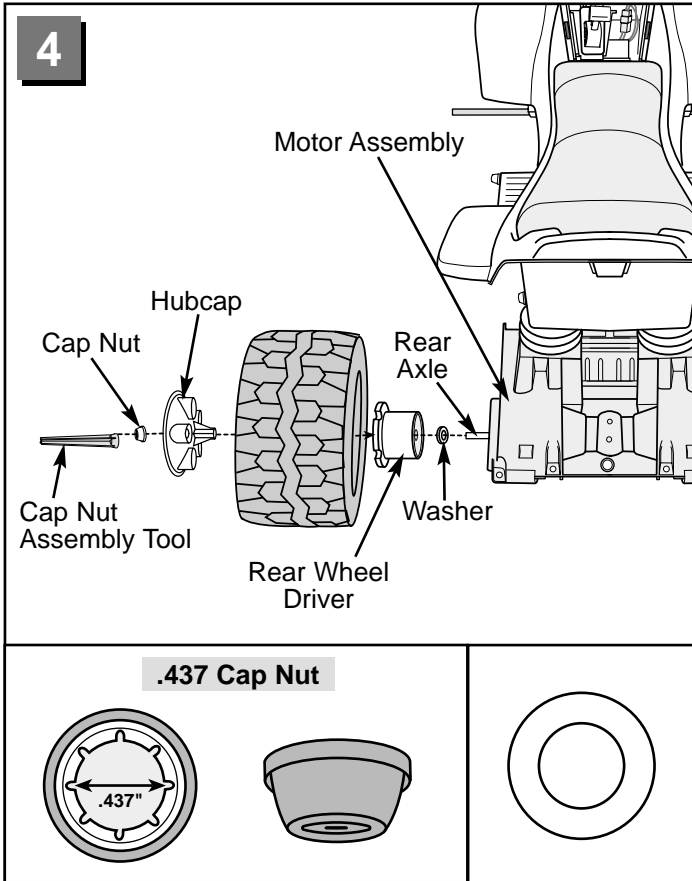
- Slide a hubcap, indented side down, onto the rear axle.
- Slide a wheel onto the rear axle. Make sure the **ribs** on the wheel face **up**.
- Slide a rear wheel driver, ring side down, onto the rear axle. Fit the grooves on the rear wheel driver onto the ribs on the wheel.
- Slide a washer onto the rear axle.

### 3

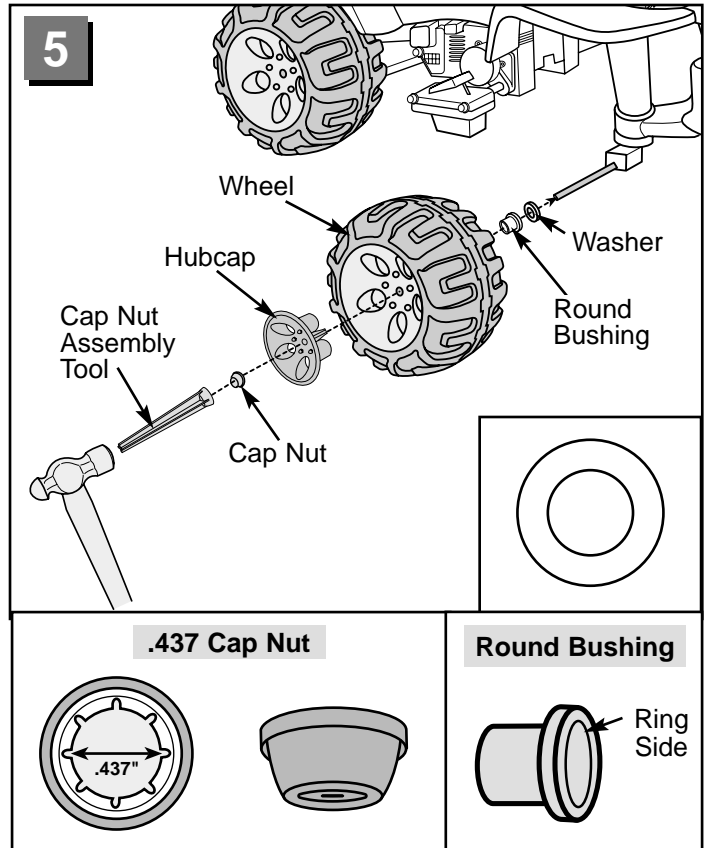


- Position the vehicle body upright. Face the back end of the vehicle body.
- Hint:** You will need to temporarily hold the remaining rear wheel driver onto the motor assembly to properly position the rear axle assembly into the motor assembly.
- Fit and hold the remaining rear wheel driver against the motor pins on one end of the motor assembly, as shown.
  - While holding the rear wheel driver in place, slide the rear axle assembly into the hole in the opposite side of the motor assembly. Make sure the rear wheel driver on the rear axle assembly fits onto the pins in the motor assembly.
  - Slide the rear wheel driver **off** the end of the rear axle.

# Assembly

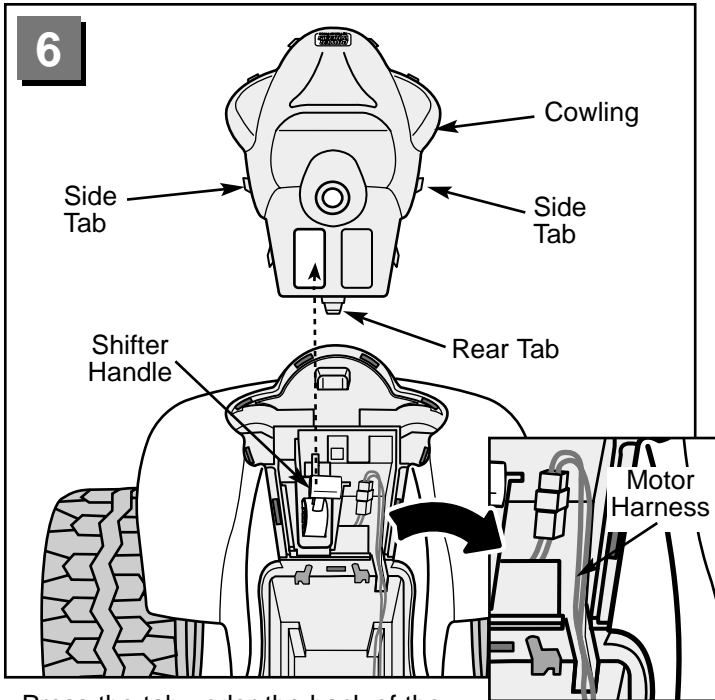


- Slide a washer onto the rear axle.
- Slide the rear wheel driver onto the rear axle. Make sure the rear wheel driver fits onto the pins in the motor assembly.
- Slide a wheel onto the rear axle. Make sure the ribs on the wheel fit into the grooves on the rear wheel driver.
- Slide a hubcap, indented side out, onto the rear axle.
- Fit a .437 cap nut on the end of the rear axle.
- Fit the cupped end of the cap nut assembly tool over the cap nut and tap the end of the cap nut assembly tool with a hammer to secure the cap nut on the end of the rear axle.

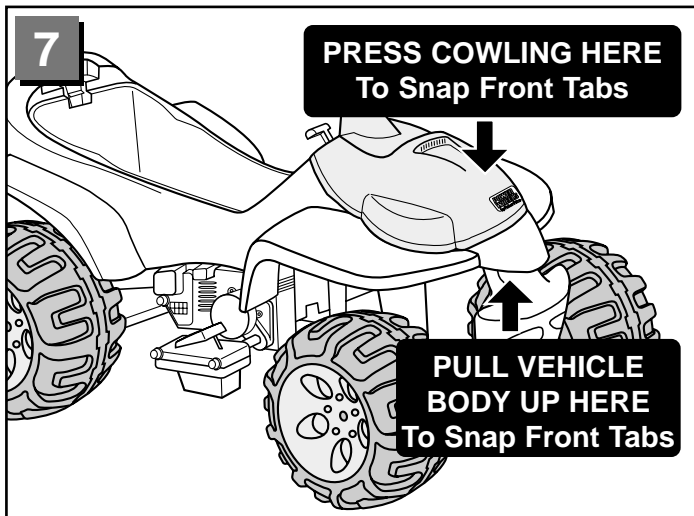


- Face the front end of the vehicle body.
- Slide a washer onto one of the front axles.
- Slide a round bushing, ring end first, onto the front axle.
- Slide a wheel (ribbed side first) onto the front axle.
- Slide a hubcap (indented side out) onto the front axle.
- Fit a .437 cap nut on the end of the front axle.
- Fit the cupped end of the cap nut assembly tool over the cap nut and tap the end of the cap nut assembly tool with a hammer to secure the cap nut on the end of the axle.
- Repeat this procedure to assemble a washer, round bushing, wheel, hubcap and cap nut to the other front axle.

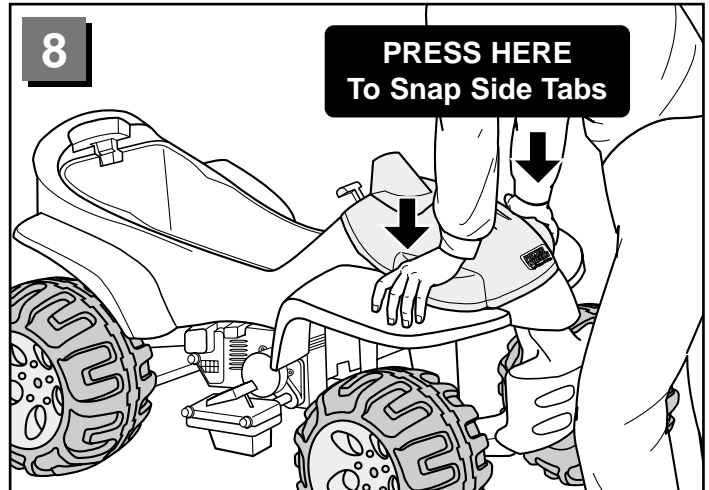
# Assembly



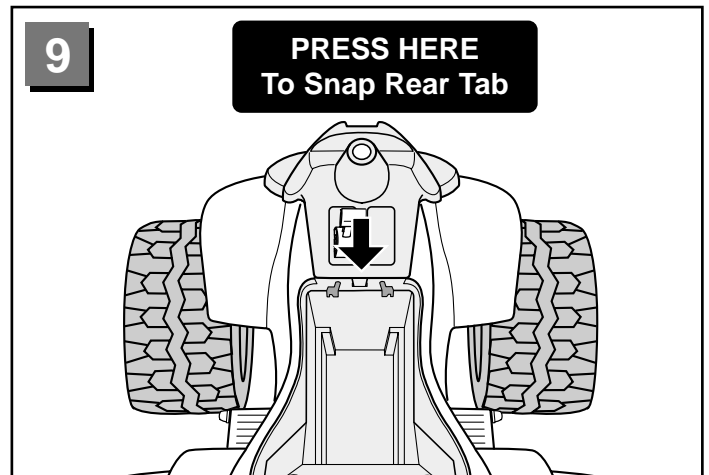
- Press the tab under the back of the seat and lift to remove the seat.
- Make sure the motor harness wires are positioned in the channel to prevent them from being pinched between the cowling and vehicle body.
- Fit the rectangular opening in the cowling over the shifter handle.
- Align the front, side and rear tabs on the cowling with the slots in the vehicle body **but do not snap the tabs into the slots.**



- Press firmly on the front of the cowling to snap the four front tabs into the slots in the vehicle body. **Make sure the side and rear tabs stay aligned with the slots.**
- Note:** Pull up on the front of the vehicle body while pressing down on the cowling to make sure the front tabs snap into the slots.

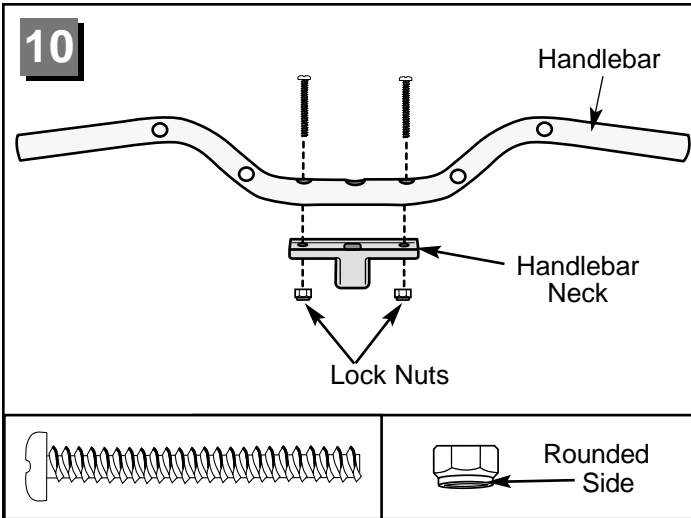


- Press firmly on each side of the cowling to snap the four side tabs into the slots in the vehicle body. **Make sure the rear tab stays aligned with the slot.**
- Note:** You may need to flex the shifter to the side to fit the cowling over the high speed lock-out screw.

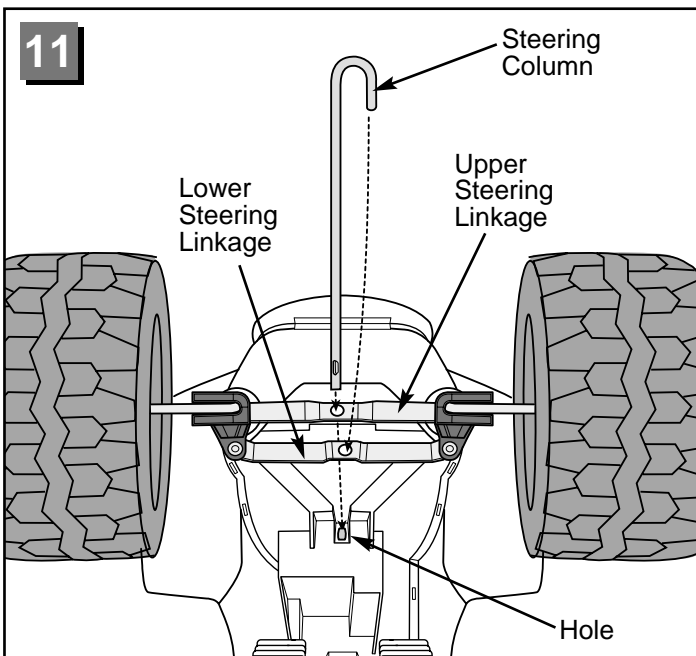


- Press firmly on the back of the cowling to snap the rear tab into the slot in the vehicle body.

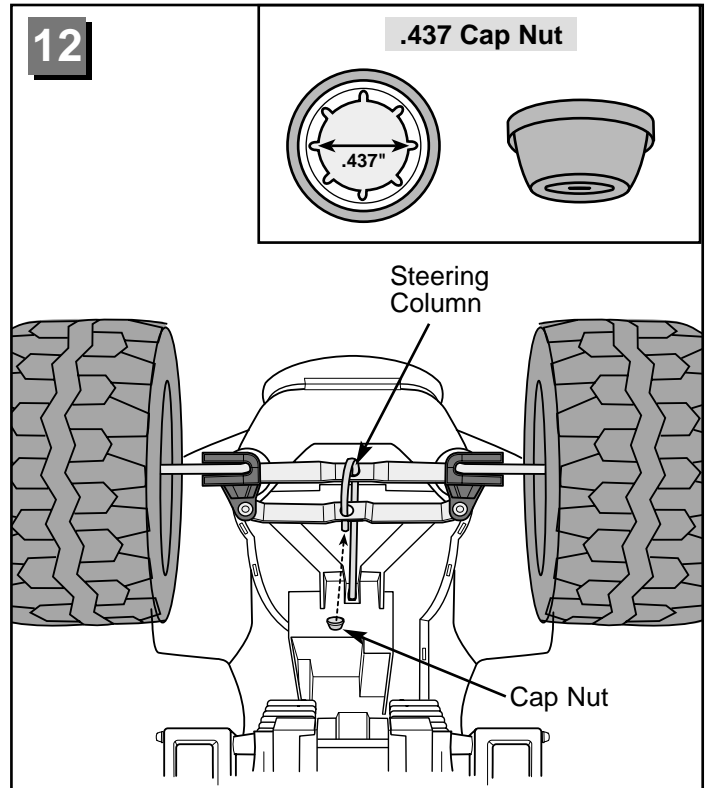
# Assembly



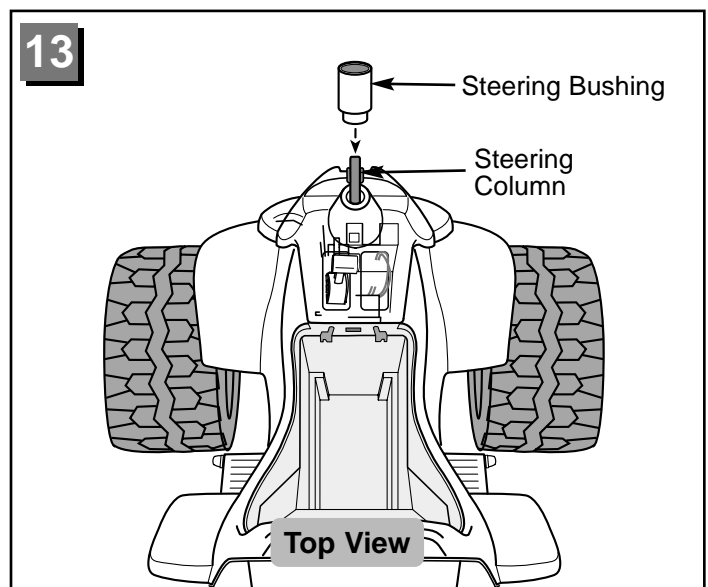
- Position the handlebar upright.
- Fit the handlebar neck to the underside of the handlebar, with the holes in the handlebar and handlebar neck aligned.
- Insert two #10 x 1<sup>5</sup>/<sub>8</sub>" screws down through the handlebar and handlebar neck.
- Fit a #10 lock nut onto the ends of both screws. Make sure the rounded side of the lock nut is down.
- While holding a lock nut steady with pliers, tighten the screw with a Phillips screwdriver. Do not over-tighten. Repeat this procedure to tighten the other screw.
- Set the handlebar assembly aside for assembly step 14.



- Lift the front end of the vehicle.
- Slide the straight end of the steering column through the hole in the upper steering linkage and out through the hole in the vehicle body.
- Insert the curved end of the steering column into the hole in the lower steering linkage.



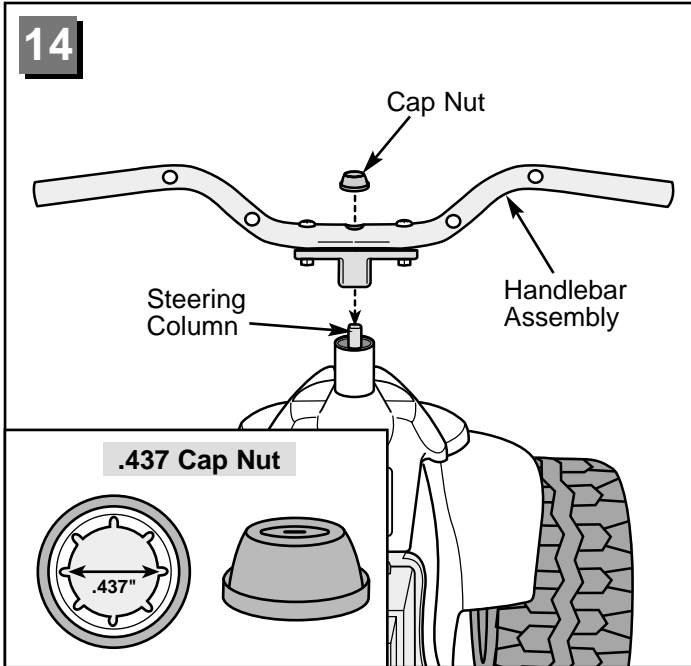
- Fit a cap nut on the curved end of the steering column.
- Support the steering column and tap the cap nut with a hammer to secure it on the end of the steering column.
- Position the vehicle body upright.



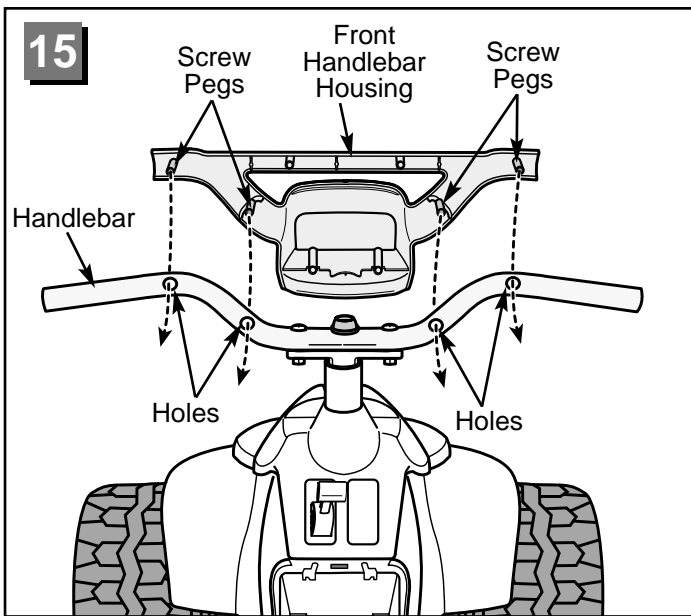
**Hint:** You may want the help of another adult to support the steering column near the steering linkage while assembling the handlebar to the vehicle body.

- Slide the steering bushing, narrow side down, onto the steering column and into the neck of the vehicle body.

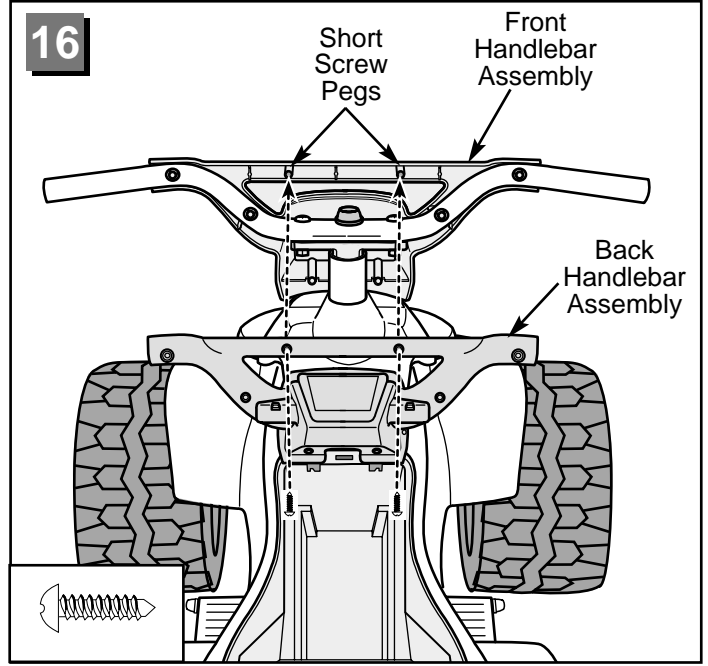
# Assembly



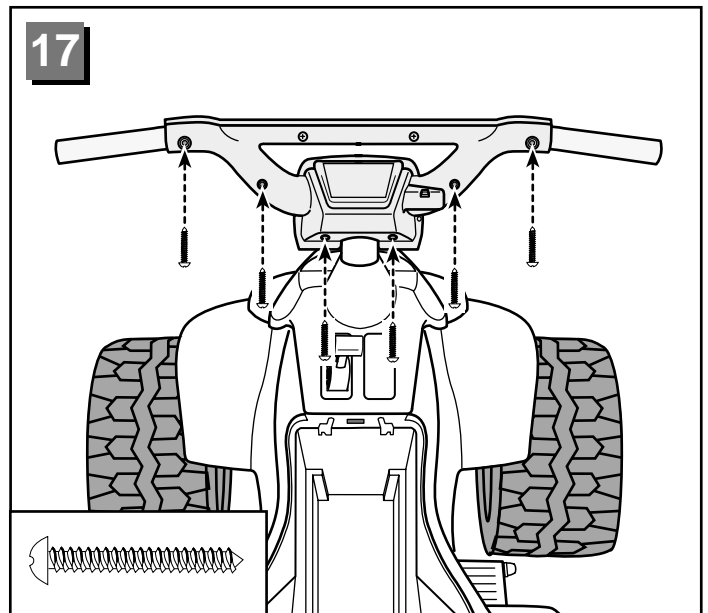
- Fit the handlebar assembly onto the end of the steering column. Make sure the handlebar grip area points towards the rear of the vehicle.
- Fit a cap nut on the end of the steering column.
- Tap the cap nut with a hammer to secure it on the end of the steering column.
- Pull up on the handlebar to make sure the handlebar assembly is secure.



- Fit the front handlebar assembly into the front of the handlebar.

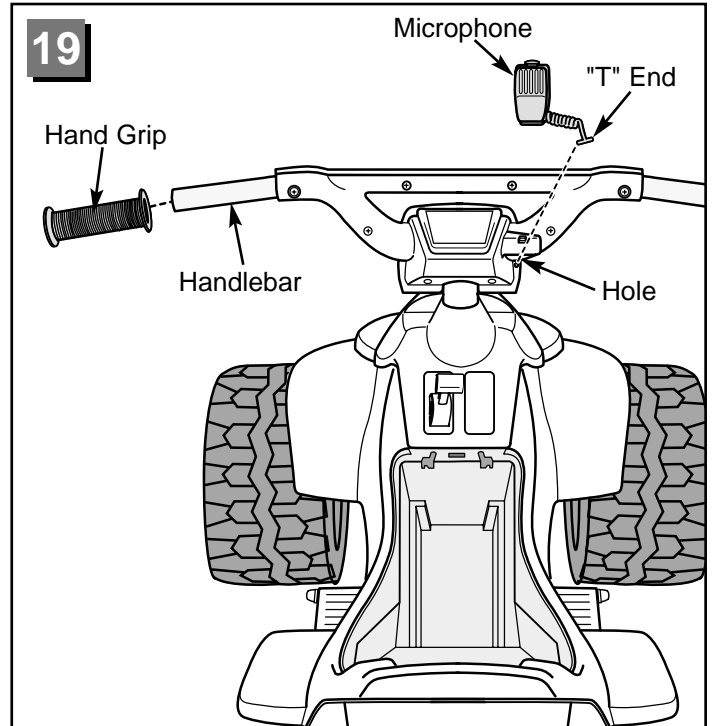
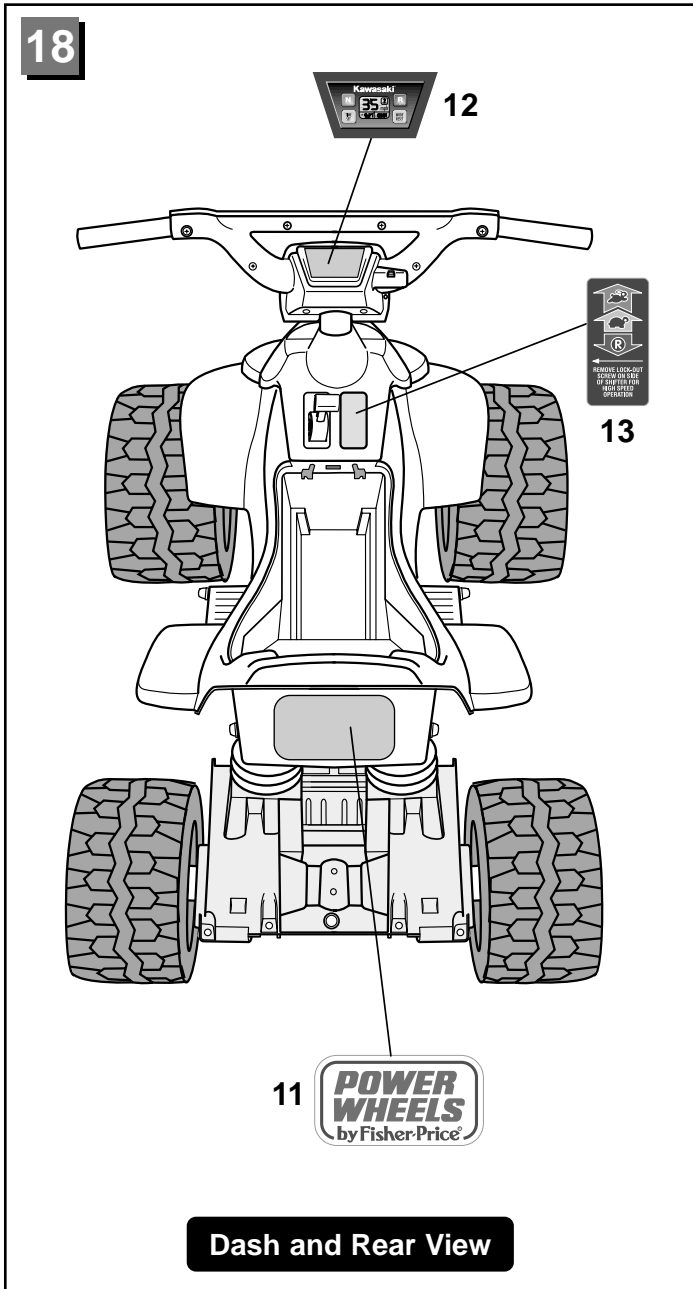


- Now, fit the back handlebar assembly to the front handlebar assembly.
- Insert two #6 x 1/2" screws into the two top center holes of the back handlebar assembly, as shown.
- Tighten the screws with a Phillips screwdriver. Do not over-tighten.



- Insert six #6 x 1" screws through the back handlebar assembly, as shown.
- Tighten the screws with a Phillips screwdriver. Do not over-tighten.

# Assembly



- Bend the plastic tip at the end of the microphone cord so that it forms a "T".
- Insert the "T" end of the microphone cord into the hole in the handlebar. Pull gently on the microphone cord to make sure it is secure in the handlebar.
- Hang the microphone on the handlebar.
- Fit a hand grip onto each end of the handlebar. If it is difficult to slide the hand grips onto the handlebar, moisten the hand grips with warm water first.

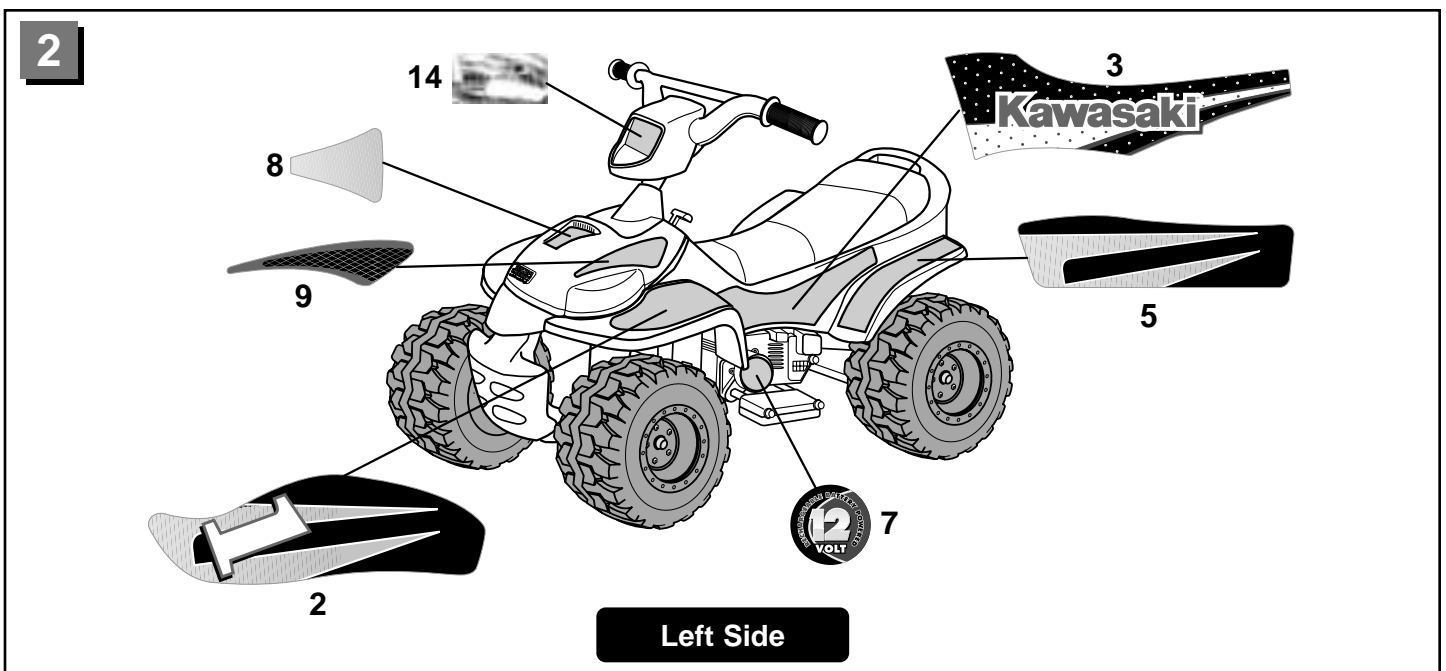
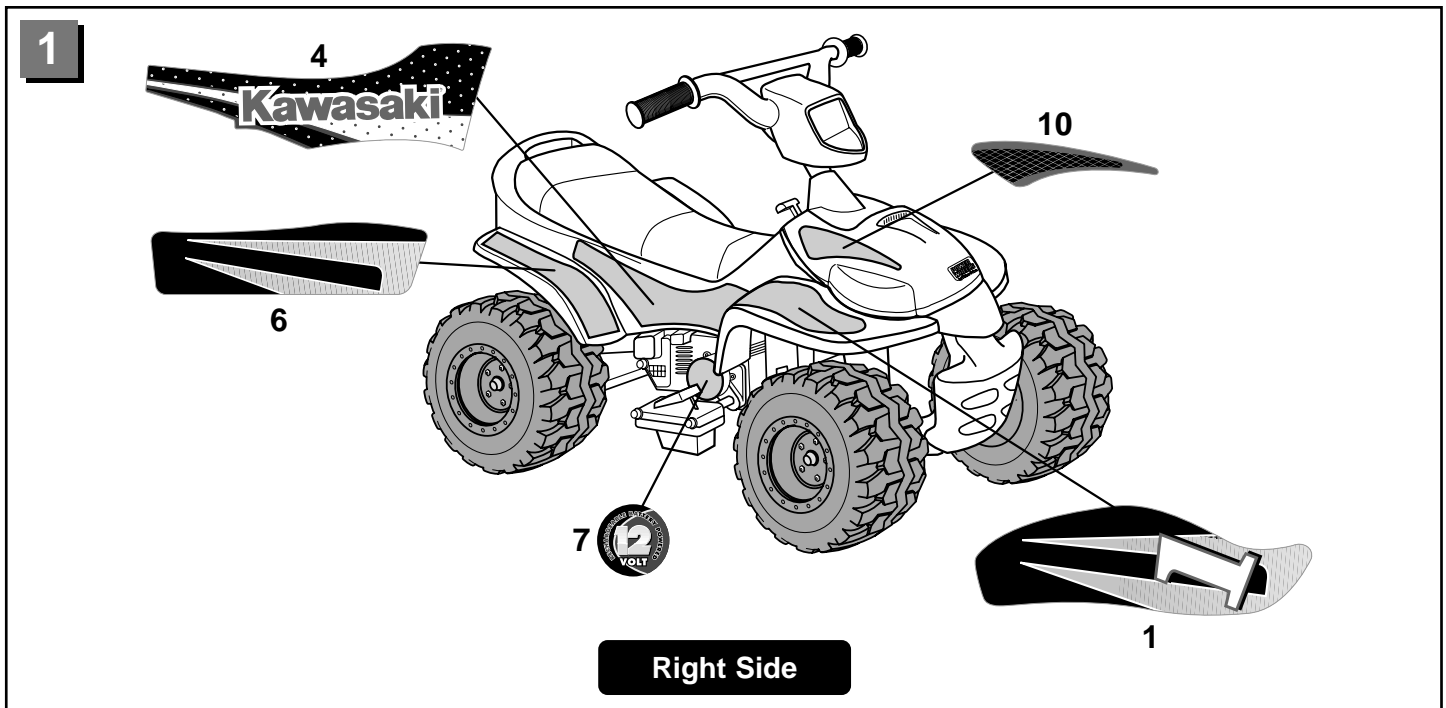
- Apply labels as shown. For best results, make sure your hands and the areas to which the labels will be applied are clean and dry.

# G

## Label Decoration

Proper label application will help to keep the labels looking their best! When applying labels, keep the following guidelines in mind:

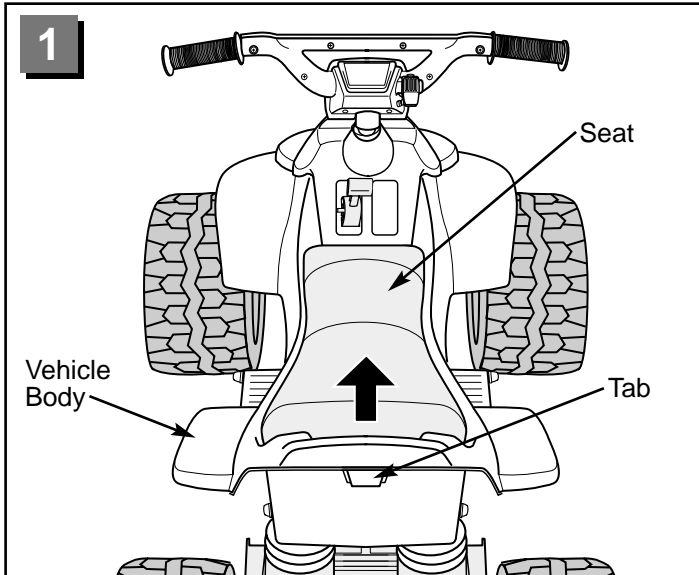
- Wash your hands before applying the labels.
- Before applying the labels, wipe the surface of the vehicle with a clean, dry cloth to remove any dust or oils.
- Place the labels exactly as shown in the illustrations.
- For best results, avoid repositioning a label once it has been applied to the vehicle.
- After applying a label, rub the label firmly with a clean, dry cloth to make sure the label is adhered to your vehicle. Start at the center of a label, and smooth towards the outer edges to remove air bubbles.



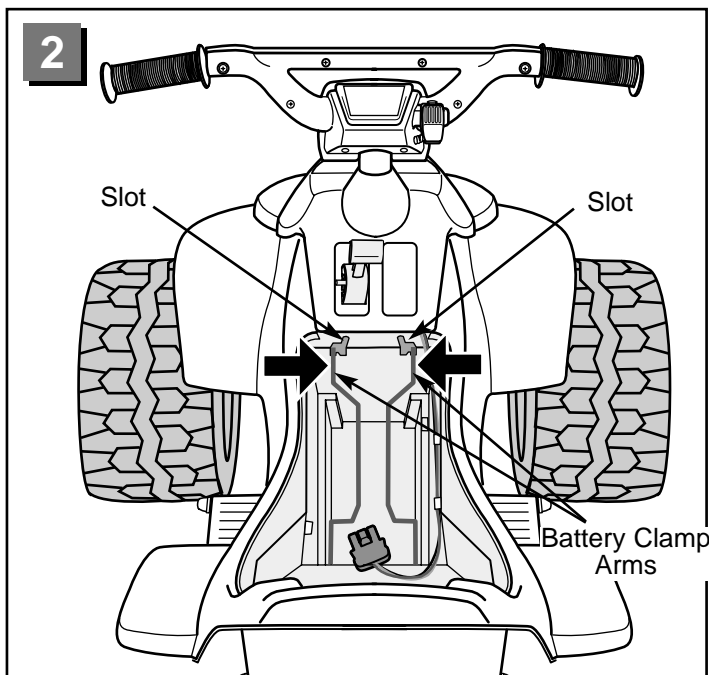
# H

## Battery Installation

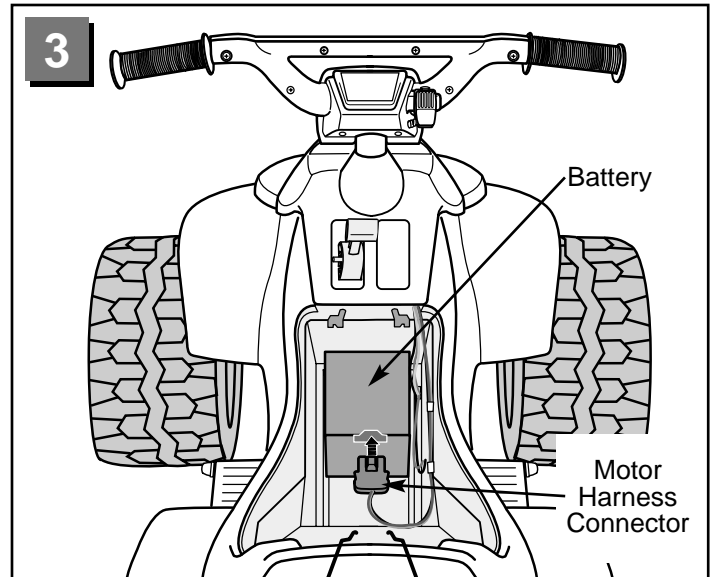
**IMPORTANT!** Use only a Power Wheels® 12 volt battery with built-in thermal fuse. Use of any other battery will damage your vehicle. Make sure that you charge the battery for at least 18 hours using the enclosed Power Wheels® 12 volt charger before operating your vehicle for the first time. Charge the battery for at least 14 hours after each use of the vehicle. Never charge the battery longer than 30 hours. Failure to follow these instructions may damage your battery and will void your warranty.



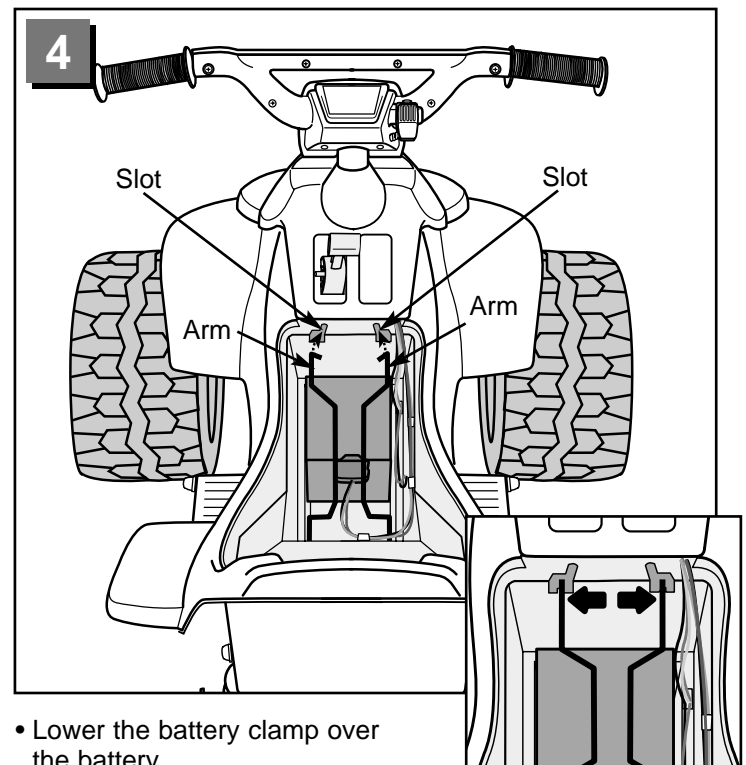
- Press the tab under the back of the seat and lift to remove the seat.



- Squeeze the battery clamp arms together to release the arms from the slots in the vehicle body.
- Press the battery clamp arms in and over the lock tabs and lift the battery clamp.



- Place the battery upright in the battery compartment.
- Plug the motor harness connector into the battery. Push firmly to join.



- Lower the battery clamp over the battery.
- Fit the battery clamp arms down into the slots in the vehicle body.
- Press the battery clamp arms out over the lock tabs to snap and secure the battery clamp arms in the slots.
- Re-assemble the vehicle seat.



# I

## Battery Care and Disposal

### Care

If a battery leak develops, avoid contact with the leaking acid and place the damaged battery in a plastic bag. See information below for proper disposal.

If acid comes in contact with skin or eyes, flush with cool water for at least 15 minutes and call a physician.

If acid is internally ingested, give water, milk of magnesia or egg whites immediately. Never give emetics or induce vomiting. Call a physician.

- Charge a new battery for at least 18 hours before first use. Never charge the battery longer than 30 hours. Overcharging or undercharging the battery may shorten battery life and decrease vehicle running time.
- After the first charge, recharge the battery for at least 14 hours after each use. Never charge the battery longer than 30 hours. Charge the battery after each use, regardless of how long the vehicle was used.
- The battery must be upright while charging.
- Do not allow the battery to run down completely before charging.
- Charge the battery before storing the vehicle.
- Charge the battery at least once per month, even if the vehicle has not been used.
- Leaving the battery in a discharged condition will ruin it.
- Always remove an exhausted battery from the vehicle. Battery leakage and corrosion can damage the vehicle.
- Do not store the battery on a surface which could be damaged by the acid contained inside the battery. Take precautions to protect the surface (such as kitchen counter tops) on which you store the battery.
- Do not store the battery in temperatures above 75° F or below -10° F.
- Prevent the battery from moving freely inside the battery compartment. **Always use the battery clamp to secure the battery in the battery compartment.**
- Examine the battery, charger and their connectors for excessive wear or damage each time you charge the battery. If damage is detected, do not use the charger or the battery until you have replaced the worn or damaged part.

## Battery Care and Disposal

### Disposal



- Your Power Wheels® battery is a sealed lead-acid battery. It must be recycled or disposed of in an environmentally sound manner.
- Do not dispose of a lead-acid battery in your regular, household trash. The incineration, landfilling or mixing of sealed lead-acid batteries with household trash is prohibited by law in most areas.
- Do not dispose of a lead-acid battery in a fire. The battery may explode or leak.
- Return exhausted batteries to a federal or state approved lead-acid battery recycler, such as a Power Wheels® authorized service center, or a local seller of automotive batteries. For the service center location nearest you, please call 1-800-348-0751. Contact your local waste management officials for other information regarding the environmentally sound collection, recycling and disposal of lead-acid batteries. If you live in the State of Florida or Minnesota, it is prohibited by law for anyone to throw away lead-acid batteries in the municipal waste stream.

# J

## Caring For Your Vehicle

- Check all screws, cap nuts and their protective coverings regularly and tighten as required. Check plastic parts on a regular basis for cracks or broken pieces.
- During snowy or rainy weather, the vehicle should be stored inside or under a protective cover. Remember to charge the battery at least once per month while your vehicle is not in regular use.
- Avoid operating the vehicle in wet or snowy conditions, and do not spray the vehicle with a hose. Do not wash the vehicle with soap and water. Water or moisture in the motors or electrical switches can cause them to corrode, and could cause switch or motor failure.
- Avoid operating the vehicle on sand, loose dirt or gravel. Sand, loose dirt or gravel in the motors or electrical switches can cause them to jam, and could cause switch or motor failure.
- The vehicle can be wiped down with a soft, dry cloth. For a shiny finish, you can wipe plastic parts with a non-wax furniture polish applied to a soft-cloth. Do not use automotive wax. Do not use soap and water or spray the vehicle with a hose.
- To ensure that your vehicle stays in good operating order, we recommend that you periodically have your vehicle checked by a Power Wheels® authorized service center. For the location of the authorized service center nearest you, please visit us on-line at [www.powerwheels.com](http://www.powerwheels.com) or call 1-800-348-0751.

## RIDING HAZARD



### WARNING

#### Prevent Injuries and Deaths

- Direct Adult Supervision Required
- Keep Children Within Safe Riding Areas

These areas must be:

- away from swimming pools and other bodies of water to prevent drownings
- generally level to prevent tipovers
- away from steps and steep inclines, cars, roads and alleys.

### Teach Safety Rules to Children

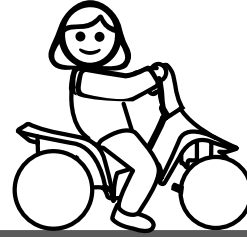
While children can quickly develop the skill necessary to drive this vehicle, it is important to remember that their judgment skills are still very immature. Unsupervised driving by children can lead to serious injury. Before children use this vehicle, an adult should carefully evaluate the driving area as well as the children's skill level and ability to drive this vehicle safely. Children are not always able to recognize or anticipate hazards, even when they have been taught about them. **THERE IS NO ACCEPTABLE SUBSTITUTE FOR DIRECT ADULT SUPERVISION.**

Teach appropriate safety rules to your child before allowing operation of this vehicle. These rules should also be reviewed with neighborhood children or other playmates who want to drive this vehicle.

### Riding Rules

**Make sure children know and follow these rules for safe driving:**

1. Always sit on the seat.
2. Always wear shoes.
3. Only 1 (one) rider at a time. A child who is not sitting on the seat or who is standing on the vehicle could fall off, cause a tip-over or block the driver's view. A child could be seriously injured.
4. Do not allow any child to drive the vehicle in the street or near moving (motorized) vehicles.
5. Do not allow any child to drive near bodies of water (such as pools or creeks), obstructions (such as furniture, low tree limbs or play equipment), or drop-offs (such as stairs or decks).
6. Do not allow any child to drive the vehicle in the dark. A child could encounter unexpected obstacles and have an accident. Operate the vehicle only in the daytime or a well-lit area.



**Use vehicle on generally level ground ONLY!**

7. Do not allow your child to drive on sloped or inclined surfaces. **Restrict your child's driving to generally level ground ONLY!**
8. Do not allow your child to drive down or across a steep slope.
  - The vehicle may gain unsafe speed, even if the pedal is released to stop.
  - The vehicle may tilt and tip over.
  - The wheels could lose traction, causing the vehicle to slip.
9. Do not allow your child to drive up steep inclines. The motor may stop and the vehicle could roll backwards at an unsafe speed.
10. Never put anything near any moving parts. Rotating parts such as motors, gear boxes and wheels can snag fingers, hair, etc., causing serious injury. Do not allow operation of the vehicle when it is on its side or in an upside-down position.
11. Do not operate the vehicle near flammable vapors (gasoline, paint thinner, acetone, liquid wax, etc.). The vehicle's electrical switches, like most electrical switches, emit an internal spark when first turned on or turned off. The presence of flammable liquids or vapors could cause an explosion or a fire. Keep all flammable products in tightly sealed containers and away from the vehicle.
12. Do not allow a child to operate the vehicle without direct adult supervision. To prevent unsupervised use of the vehicle, disconnect the motor harness from the battery when the vehicle is not in use.

#### **To disconnect the motor harness and battery connector:**

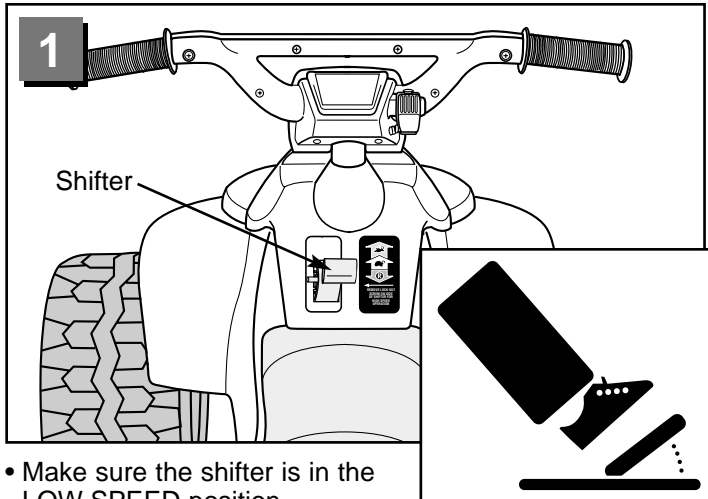
- Press the tab under the back of the seat and lift to remove the seat.
- Pull the motor harness connector from the battery.
- Replace the seat on the vehicle.

# L

## How to Operate Your Vehicle

As assembled, your vehicle is ready to roll in low speed (2½ mph, maximum). When your child is ready to drive the vehicle in high speed (5 mph, maximum), follow the instructions (step 3) to disconnect the high speed lock-out.

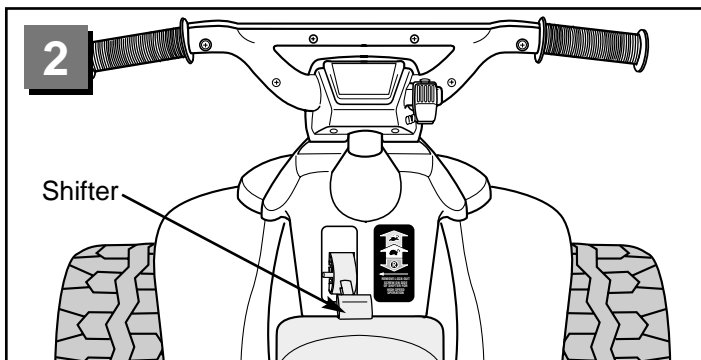
### Beginner - Low Speed Drive



- Make sure the shifter is in the LOW SPEED position.
- Press the foot pedal. The vehicle will drive forward at a maximum of 2½ mph.
- Help your child practice steering to learn how far and how quickly to turn the handlebar when driving forward in low speed.
- Your vehicle has a patented, electronic braking system that automatically stops the vehicle when your child's foot is lifted from the pedal.
- Make sure your child is comfortable with steering the vehicle and automatically knows how to stop.

### Reverse

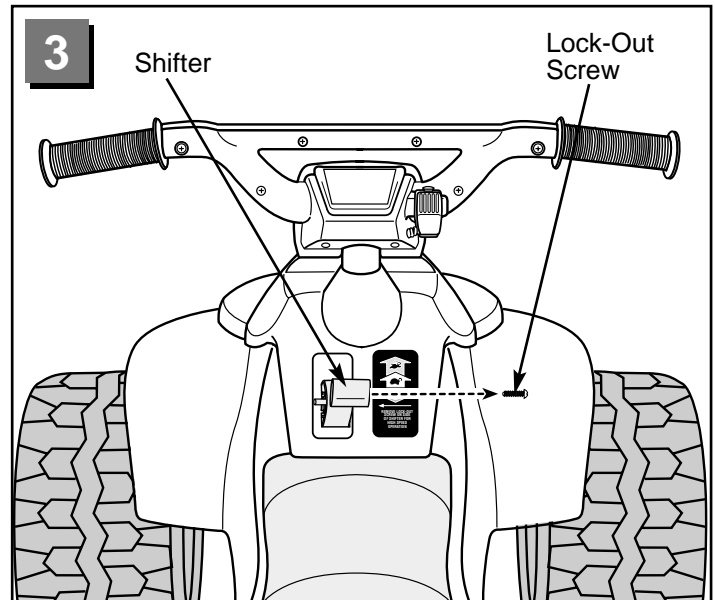
**Hint:** Once your child is comfortable operating the vehicle forward, introduce reverse.



**IMPORTANT!** To avoid damaging the motors and gears, make sure to stop the vehicle before switching from forward to reverse.

- Move the shifter to the REVERSE position.
- Press the foot pedal. The vehicle backs-up at a maximum of 2½ mph.
- Help your child practice steering to learn how far and how quickly to turn the handlebar when driving in reverse.

### Advanced - High Speed Drive



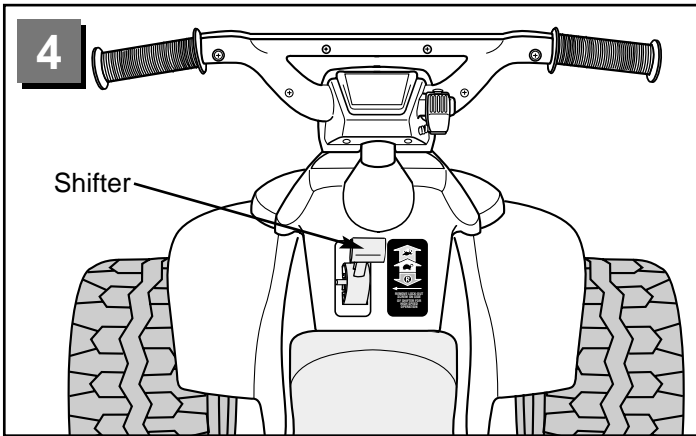
**Before you disconnect the high speed lock-out,** make sure your child knows how to start and stop the vehicle and knows the rules for safe driving. When the high speed lock-out is removed, the vehicle can be driven forward in low speed (2½ mph, maximum) or high speed (5 mph, maximum).

- Remove the lock-out screw from the shifter box using a Phillips screwdriver. Store the screw in the hole in the shifter for future use. You can re-insert the screw into the shifter box if you want to lock-out high speed and allow operation of the vehicle in low speed only.

## How to Operate Your Vehicle

# M

## Statement of Limited Warranty



**IMPORTANT!** To avoid damaging the motors and gears, stop the vehicle before shifting between low and high speed.

- Make sure the shifter is in the HIGH SPEED position.
- Press the foot pedal. The vehicle will drive forward at a maximum of 5 mph.
- Help your child practice steering to learn how far and how quickly to turn the handlebar when driving forward in high speed.

**IMPORTANT!** Use the vehicle **ONLY** outdoors. Most interior flooring can be damaged by riding the vehicle indoors. Fisher-Price® will not be responsible for damage to floors if vehicle is used indoors.

**\*One year limited warranty from the date of purchase on the Power Wheels® vehicle. Six month limited warranty on the 12 volt battery.**

For the original purchaser, this one year limited warranty covers the Power Wheels® ride-on vehicle (purchased from Power Wheels®) against defects in materials and workmanship. The six month limited warranty applies only to the 12 volt battery included by Power Wheels® with the original purchase of the vehicle.

This warranty covers normal use and does not cover the Power Wheels® vehicle or battery if damaged by unreasonable use, neglect, accident, abuse, misuse, improper service or other causes not arising out of defects in materials or workmanship. Evidence of any attempt at consumer repair will void this warranty. **THIS WARRANTY DOES NOT COVER, AND IS INTENDED TO EXCLUDE, ANY LIABILITY ON THE PART OF POWER WHEELS®, WHETHER UNDER THIS WARRANTY OR IMPLIED BY LAW FOR ANY INDIRECT OR CONSEQUENTIAL DAMAGES FOR BREACH OF WARRANTY. SOME STATES DO NOT ALLOW THE EXCLUSION OR LIMITATION SO THIS LIMITATION MAY NOT APPLY TO YOU.**

Should you need service or assistance with your vehicle during the warranty period, **do not return the vehicle to the store.** Power Wheels® has provided nationwide network of authorized service centers. For the location of the authorized service center nearest you, please visit us on-line at [www.powerwheels.com](http://www.powerwheels.com) or call **1-800-348-0751**. Power Wheels® is continually expanding our Authorized Service Center Network. If there is not an authorized service center in your area, please call Consumer Relations for information, **1-800-348-0751**.

**THIS WARRANTY GIVES YOU SPECIFIC LEGAL RIGHTS, AND YOU MAY ALSO HAVE OTHER RIGHTS WHICH MAY VARY FROM STATE TO STATE.**

**PLEASE SAVE YOUR ORIGINAL SALES RECEIPT.**


# N

## Problems and Solutions Guide

**IMPORTANT!** If you experience a problem with your vehicle, first check the Problems and Solutions Guide below. If you still experience a problem, please contact Power Wheels® Consumer Relations, toll-free at **1-800-348-0751** between 8 AM and 6 PM (EST) Monday through Friday. Or, contact your local Power Wheels® authorized service center. For the location nearest to you, please visit us on-line at [www.powerwheels.com](http://www.powerwheels.com) or call **1-800-348-0751**.

Problem	Possible Cause	Solution
Vehicle does not run	Undercharged battery	Charge the battery. A new battery should have been charged for at least 18 hours before using the vehicle for the first time. After first-time use, recharge the battery for at least 14 hours after each use. Never charge the battery longer than 30 hours.
		Check all connectors. Make sure the charger connector is plugged into the battery, and that the charger is plugged into the wall.
		Make sure power flow to the wall outlet is "ON".
	Charger is not working	There is no sure way to tell if your charger is working unless you have a volt meter. If you suspect there is a problem with your charger, contact your local Power Wheels® authorized service center. They can test your charger for you.
	Tripped thermal fuse	Each Power Wheels® 12 volt battery has a built-in thermal fuse. A thermal fuse may "trip" and shut down operation of the vehicle if the vehicle is overloaded or the driving conditions too severe. The fuse will automatically reset itself after approximately 25 seconds, allowing the vehicle to resume normal operation. To avoid repeated automatic shutdowns, do not overload the vehicle by exceeding the 65 lb. maximum weight capacity or by towing anything behind the vehicle. Do not drive up hills or run into fixed objects, which can cause the wheels to stop spinning while power is still being supplied to the motors. If a thermal fuse continually trips, contact your local Power Wheels® authorized service center.
	Loose wire or loose connectors	Check all wires and connectors. Make sure the motor harness connector is plugged into the battery, and that there are no loose wires around the motors.
	Dead battery	If your battery is old or if you have not followed Battery Care instructions, your battery may be dead. If you are unsure whether or not the battery is dead, you can have it tested at your local Power Wheels® authorized service center.
	Electrical switch damage	The electrical switches can become corroded due to exposure to water or moisture, or can jam due to loose dirt, sand or gravel. Contact your local Power Wheels® authorized service center for diagnosis and repair.
Vehicle was running but suddenly stopped	Motor damage	Contact your local Power Wheels® authorized service center for diagnosis and repair.
	Loose wire or loose connectors	Check all wires and connectors. Make sure the motor harness connector is plugged into the battery, and that there are no loose wires around the motors.
	Tripped thermal fuse	Each Power Wheels® 12 volt battery has a built-in thermal fuse. A thermal fuse may "trip" and shut down operation of the vehicle if the vehicle is overloaded or the driving conditions too severe. The fuse will automatically reset itself after approximately 25 seconds, allowing the vehicle to resume normal operation. To avoid repeated automatic shutdowns, do not overload the vehicle by exceeding the 65 lb. maximum weight capacity or by towing anything behind the vehicle. Do not drive up hills or run into fixed objects, which can cause the wheels to stop spinning while power is still being supplied to the motors. If a thermal fuse continually trips, contact your local Power Wheels® authorized service center.

# Problems and Solutions Guide

Problem	Possible Cause	Solution
Short run time	Undercharged battery	Charge the battery. A new battery should have been charged for at least 18 hours before using the vehicle for the first time. After first-time use, recharge the battery for at least 14 hours after each use. Never charge the battery longer than 30 hours.
		Check all wires and connectors. Make sure the charger connector is plugged into the battery, and that the charger is plugged into the wall.
		Make sure power flow to the wall outlet is "ON".
	Overcharged battery	Do not charge the battery longer than 30 hours. If you suspect that your battery is damaged as a result of overcharging, contact your local Power Wheels® authorized service center. They can test your battery for you.
	Battery is old and will not accept full charge	Even with proper care, a rechargeable battery does not last forever. Average battery life is 1 to 3 years depending on vehicle use and use conditions. Replace the battery with a new Power Wheels® 12 volt rechargeable battery. Do not substitute parts.
Vehicle runs sluggishly	Undercharged battery	Charge the battery. A new battery should have been charged for at least 18 hours before using the vehicle for the first time. After first-time use, recharge the battery for at least 14 hours after each use. Never charge the battery longer than 30 hours.
		Check all connectors. Make sure the charger connector is plugged into the battery, and that the charger is plugged into the wall.
		Make sure power flow to the wall outlet is "ON".
	Battery needs charging	Be sure to charge the battery after each use.
	Battery is old and will not accept full charge	Even with proper care, a rechargeable battery does not last forever. Average battery life is 1 to 3 years depending on the vehicle use and use conditions. Replace the battery with a new Power Wheels® 12 volt rechargeable battery. Do not substitute parts.
Vehicle is overloaded	Make sure you do not overload the vehicle by allowing more than one rider at one time, by exceeding the 65 lb. maximum weight capacity, or by towing objects behind the vehicle.	
	Driving conditions are too stressful	Use only on generally level ground.
Vehicle runs in low speed, but does not run in high speed  (Please Note: The vehicle is designed to operate in low speed only when in reverse  .	High speed lock-out not disconnected	The vehicle was pre-set to run only in low speed. To allow the vehicle to run in low and high speed, you must disconnect the High Speed Lock-Out. <b>Follow the instructions on page 19 to remove the High Speed Lock-Out screw.</b>

## Problems and Solutions Guide

Problem	Possible Cause	Solution
When the foot pedal is pressed only one rear wheel spins	Operation of vehicle in low speed	It is possible that only one rear wheel may spin when both rear wheels are raised off the ground and the vehicle is in low speed. This does not necessarily indicate a problem. Check for proper operation of the drive system by raising the rear wheels off the ground and pressing the foot pedal. If only one rear wheel spins, carefully press your hand on the spinning wheel to slow it down. The other rear wheel should begin to spin. If the other rear wheel does not begin to spin, there may be a problem with the vehicle. Contact your local Power Wheels® authorized service center for diagnosis and repair.
Sometimes the vehicle doesn't run, but other times it does	Loose wire or connector	Check all wires around the motors and all connectors to make sure they are tight.
	Motor or electrical switch damage	Contact your local Power Wheels® authorized service center for diagnosis and repair.
When the foot pedal is pressed, the vehicle won't run without a push	Loose wire or connector	Check all wires around the motors and all connectors to make sure they are tight.
	"Dead Spot" on motor	Contact your local Power Wheels® authorized service center for diagnosis and repair.
Loud clacking or grinding noise from a motor-gearbox	Broken gears	Contact your local Power Wheels® authorized service center for diagnosis and repair.
Charger gets warm during use	It is normal for some chargers to get warm during use and is not reason for concern.	No action required.
		If your charger does not get warm during use, it does not mean that it is not working properly.
Battery makes a sizzling or gurgling noise when charging	It is normal for some battery to make noise and swell slightly while charging and is not reason for concern.	No action required.
		If your battery does not make noise or swell slightly during charging, it does not mean that it is not accepting the charge.

If, after reviewing the Problems and Solutions Guide, the vehicle still fails to operate, please contact your nearest authorized service center or contact Power Wheels® Consumer Relations toll-free at **1-800-348-0751**.

# **IMPORTANT!**

**DO NOT use this vehicle for the first time until you have charged the battery for 18 hours.**

Remember to...

- ✓ Charge the battery immediately after each use.
- ✓ Charge the battery once a month during storage, even if the vehicle has not been used.

Failure to follow these instructions will permanently damage your battery and void your warranty. Please refer to the Battery Care Section in this manual for more information. For high speed operation, please refer to the "How to Operate Your Vehicle" section in this manual for more information.

## **DO NOT Return your Vehicle to the Store!**



If you are missing parts or need assistance, please call us toll-free:

**Power Wheels® Consumer Relations**

**1-800-348-0751**

**8 AM - 6 PM EST, Monday through Friday.**

Or contact your local, **independently owned and operated** Power Wheels® Authorized Service Center.

For the location nearest you, visit us on-line at [www.powerwheels.com](http://www.powerwheels.com).

