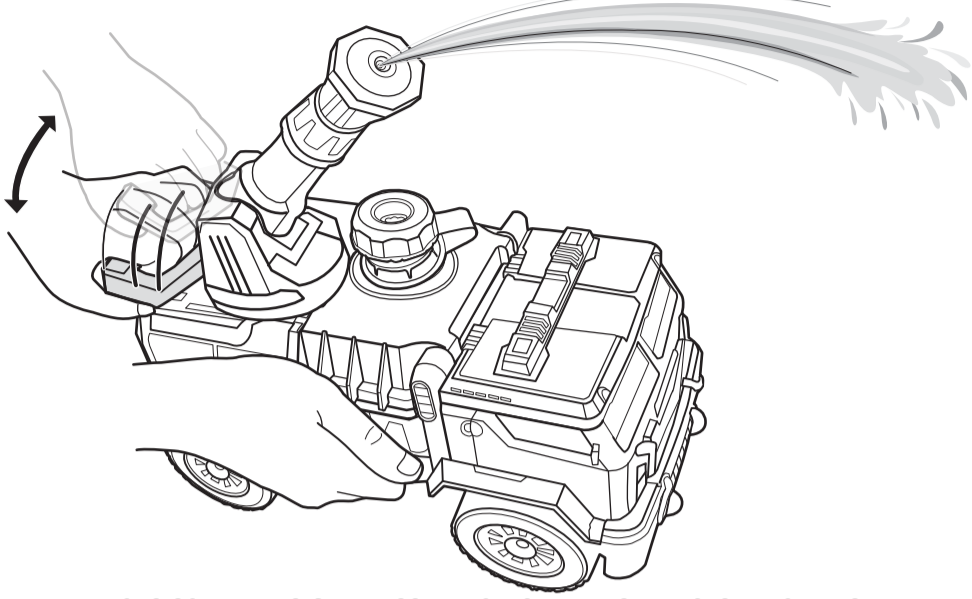


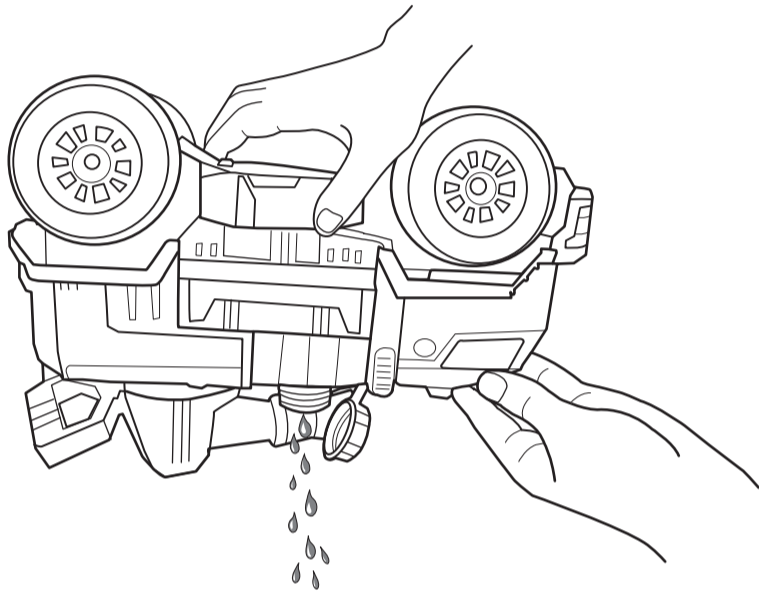
TO PLAY (CONTD.)

4. PUMP HANDLE TO SQUIRT WATER. NEVER AIM WATER AT FACE OR EYES.



WATER TOYS SOMETIMES GET MESSY. PROTECT PLAY SURFACES BEFORE USE. AFTER EACH USE, DRAIN AND RINSE ALL ITEMS. DO NOT LEAVE OUTDOORS IN COLD WEATHER OR FOR EXTENDED PERIODS OF TIME.

5. CLEAN AND DRY ALL ITEMS THOROUGHLY BEFORE STORING.



4

MATCHBOX

ON A MISSION™

3+

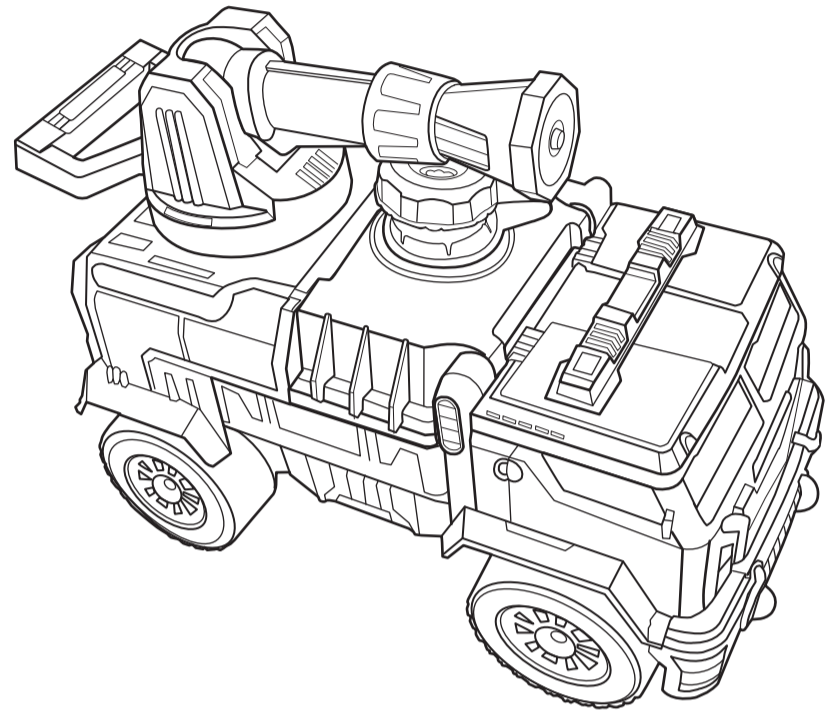


CCW27-1100410430_DOM
ASST.CFM56

INSTRUCTIONS:

MISSION™ AQUA CANNON ULTIMATE FIRE TRUCK

CONTENTS



©2014 Mattel. All Rights Reserved. Mattel, Inc., 636 Girard Avenue, East Aurora, NY 14052, U.S.A. Consumer Services 1-800-524-8697. Mattel U.K. Ltd., Vanwall Business Park, Maidenhead SL6 4UB. Helpline 01628 500303. Mattel Australia Pty., Ltd., Richmond, Victoria. 3121. Consumer Advisory Service - 1300 135 312. Mattel East Asia Ltd., Room 503-09, North Tower, World Finance Centre, Harbour City, Tsimshatsui, HK, China. Diimport & Diedarkan Oleh: Mattel Southeast Asia Pte. Ltd., No 19-1, Tower 3 Avenue 7, Bangsar South City, No 8, Jalan Kerinchi, 59200 Kuala Lumpur, Malaysia. Tel: 03-78803817, Fax: 03-78803867.

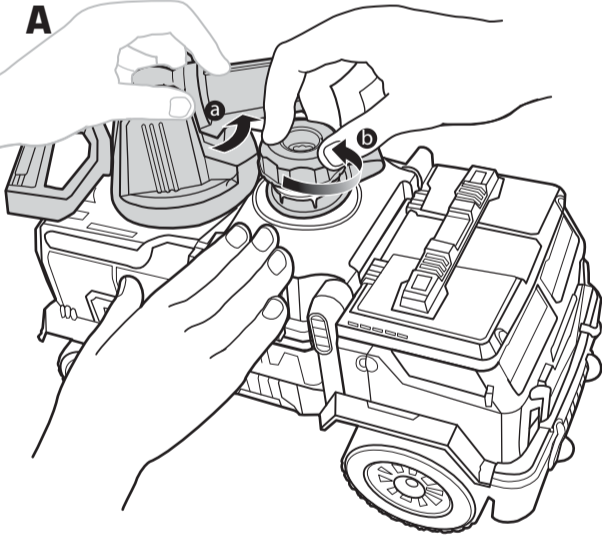
SERVICE.MATTEL.COM

1

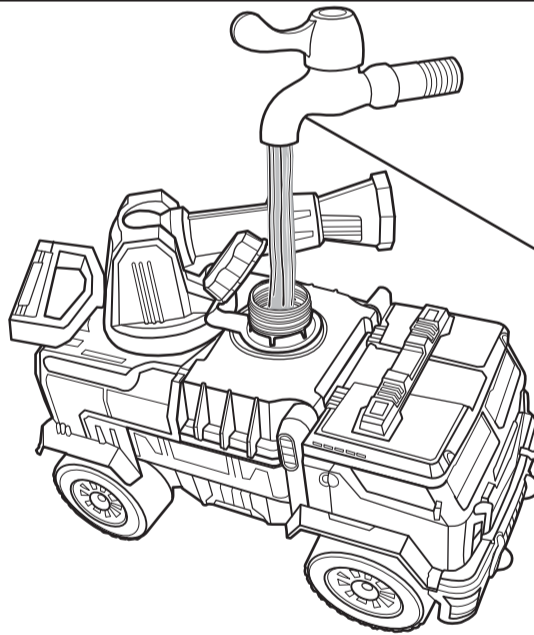
TO PLAY

1. FILL TANK WITH CLEAN WATER.

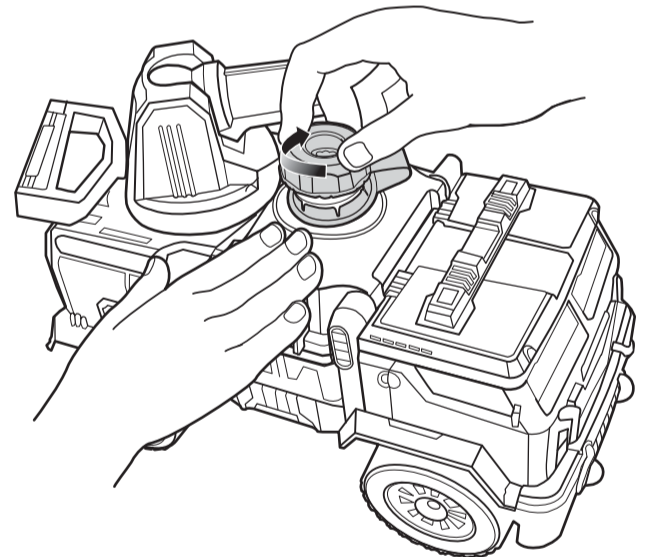
A



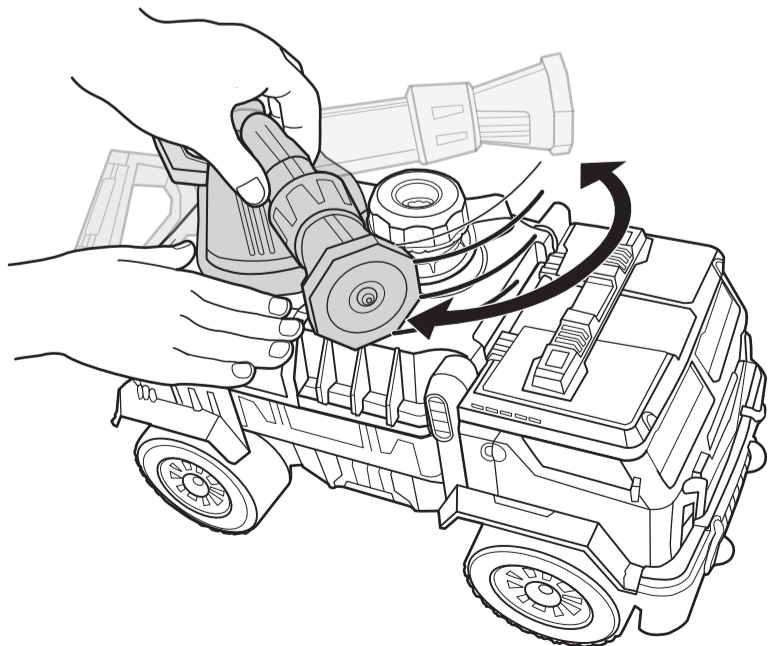
B



C

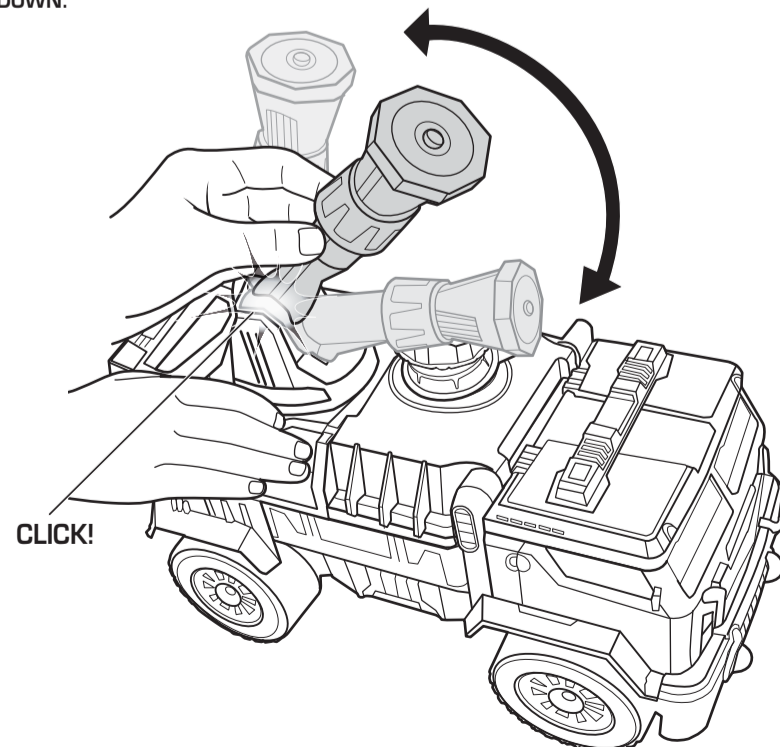


2. ROTATE BLASTER LEFT OR RIGHT.



2

3. AIM UP OR DOWN.



3